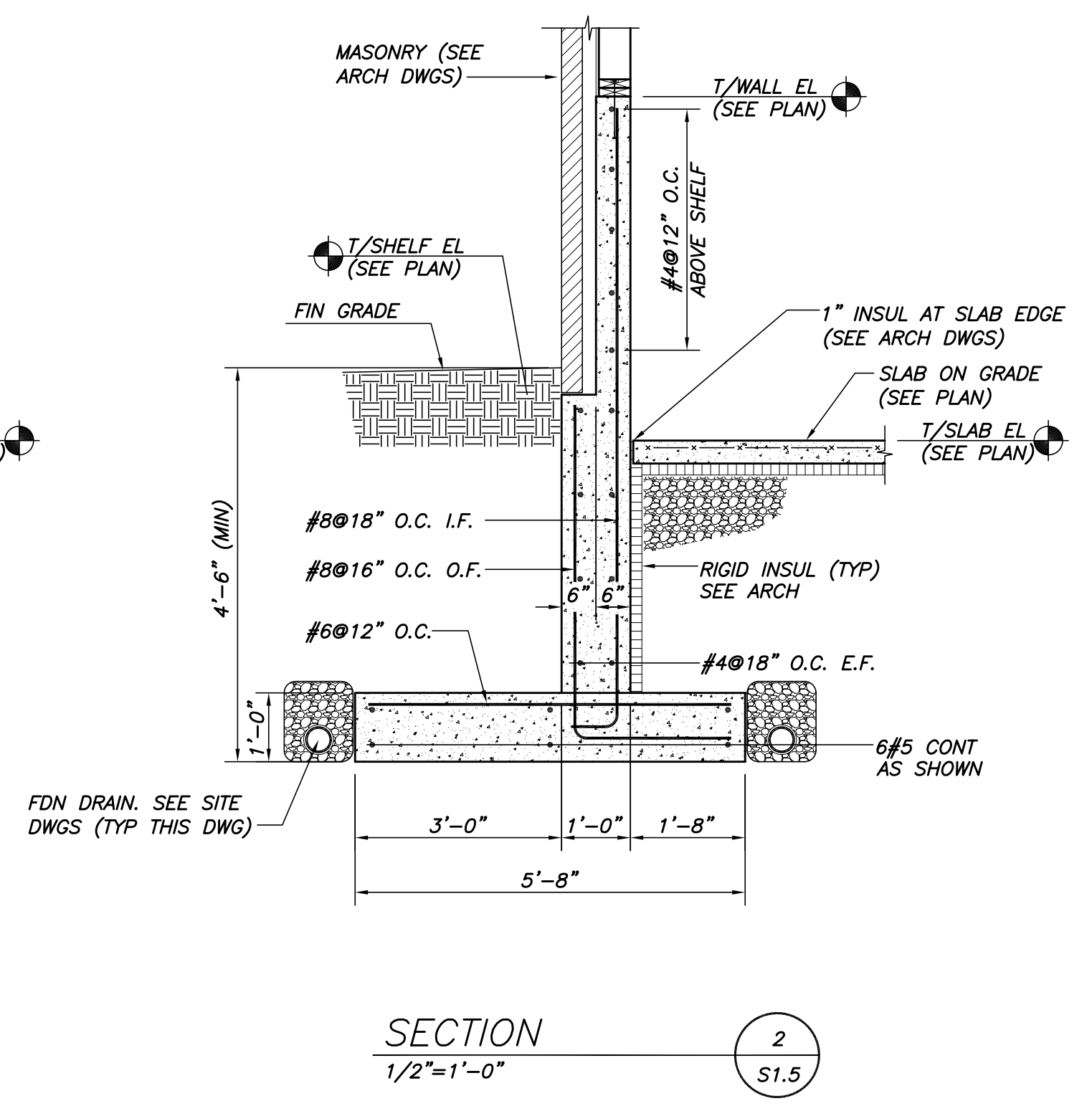
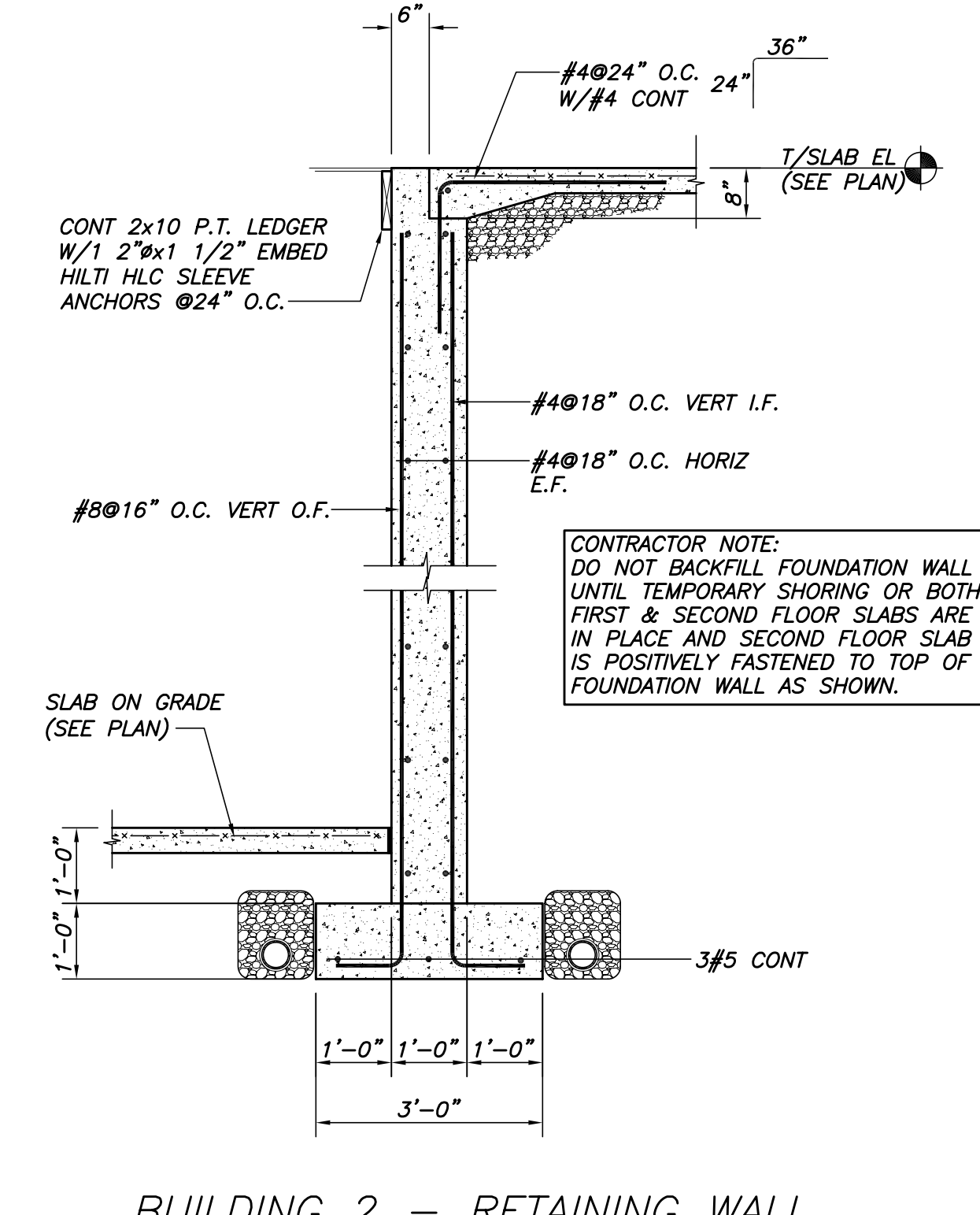


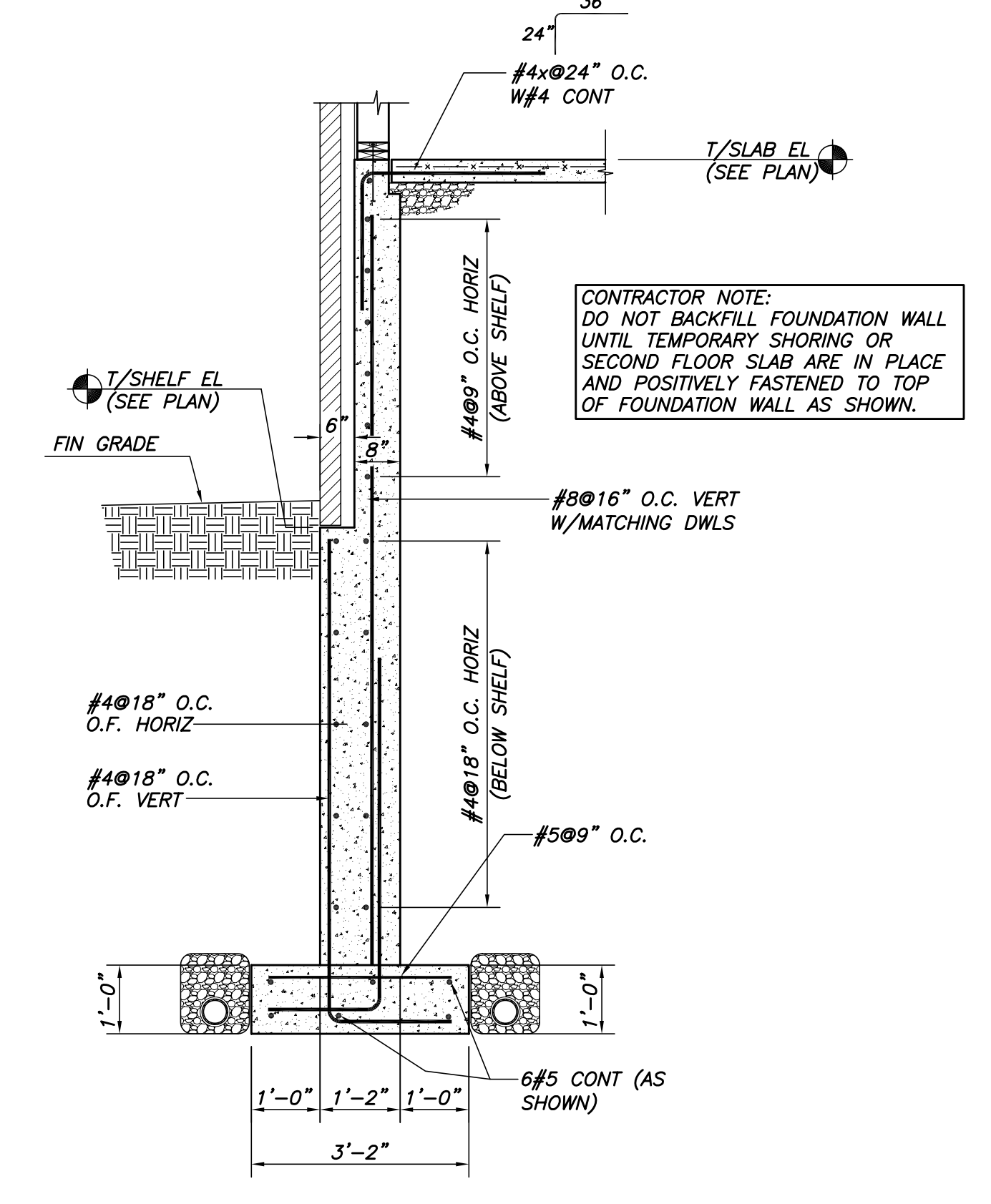
SECTION 1
1/2"=1'-0"



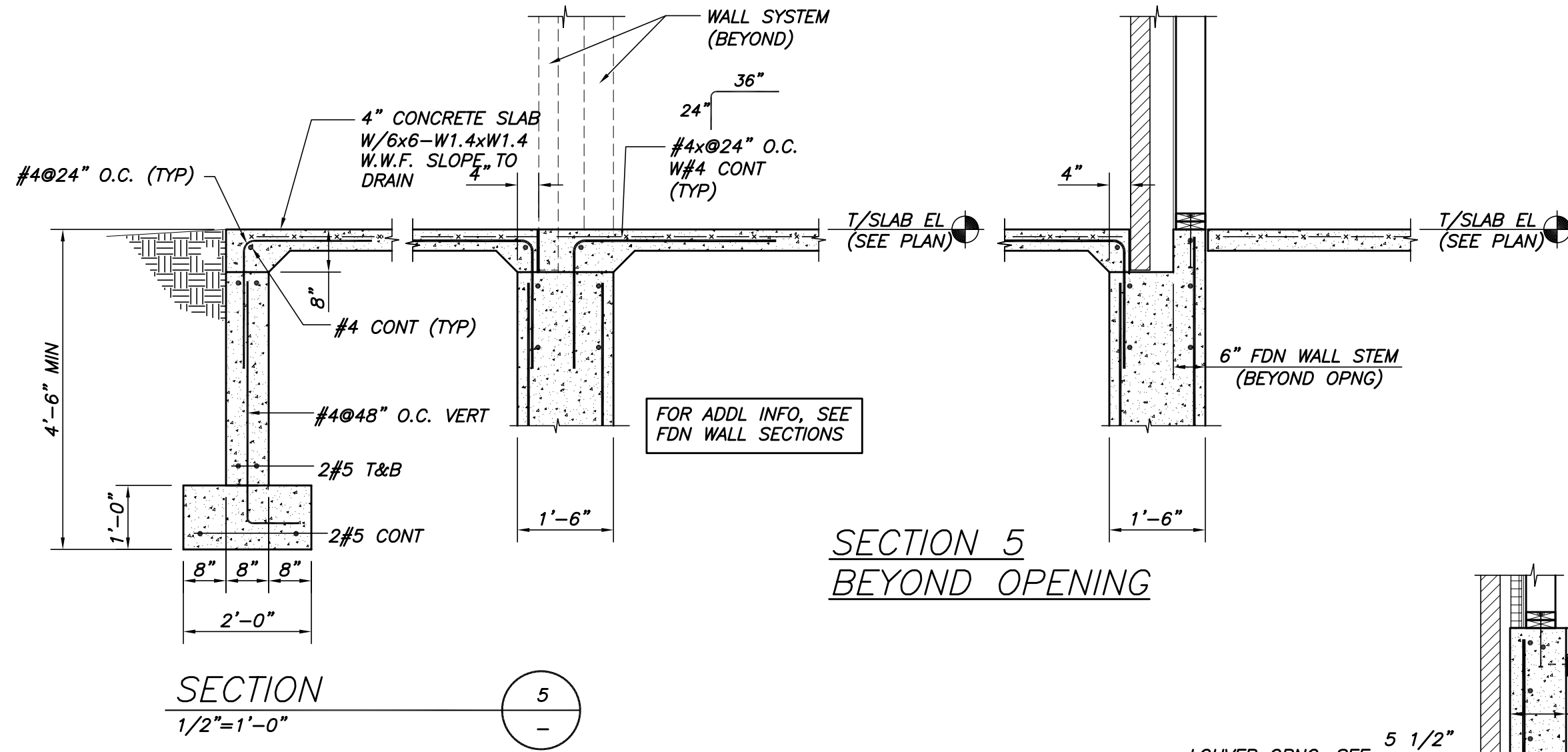
SECTION 2
1/2"=1'-0"



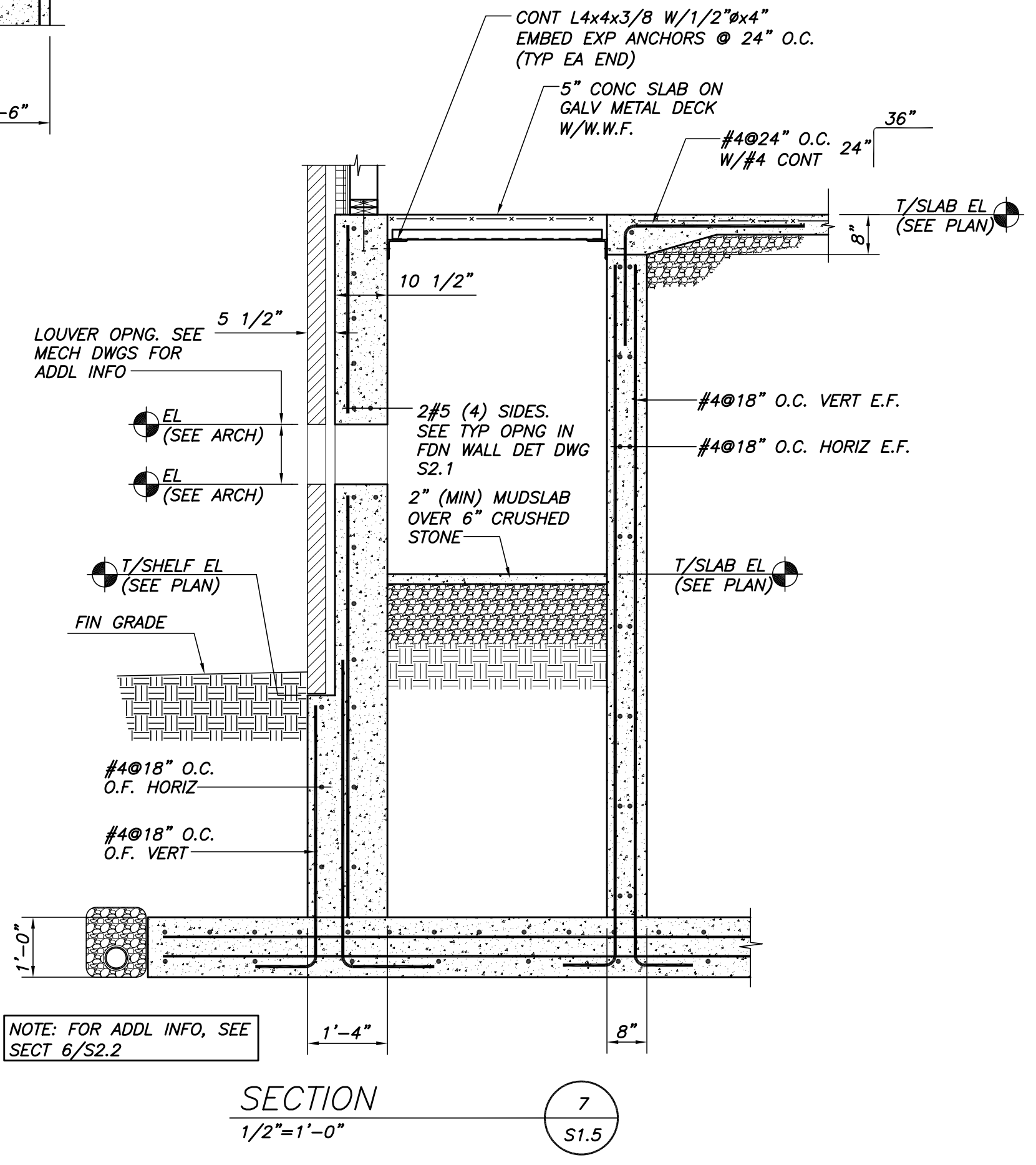
BUILDING 2 - RETAINING WALL
SECTION 3
1/2"=1'-0"



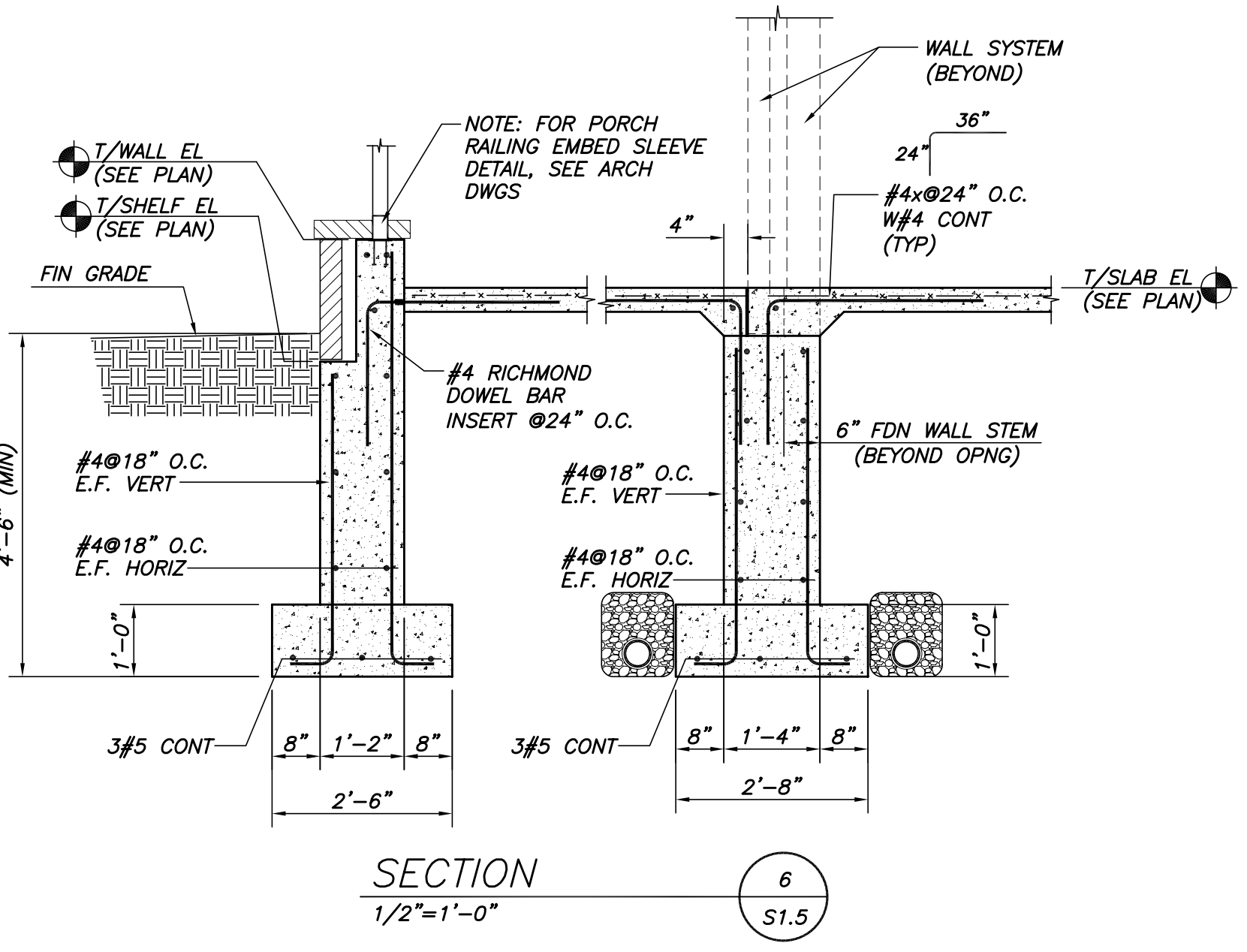
BUILDING 2 - RETAINING WALL
SECTION 4
1/2"=1'-0"



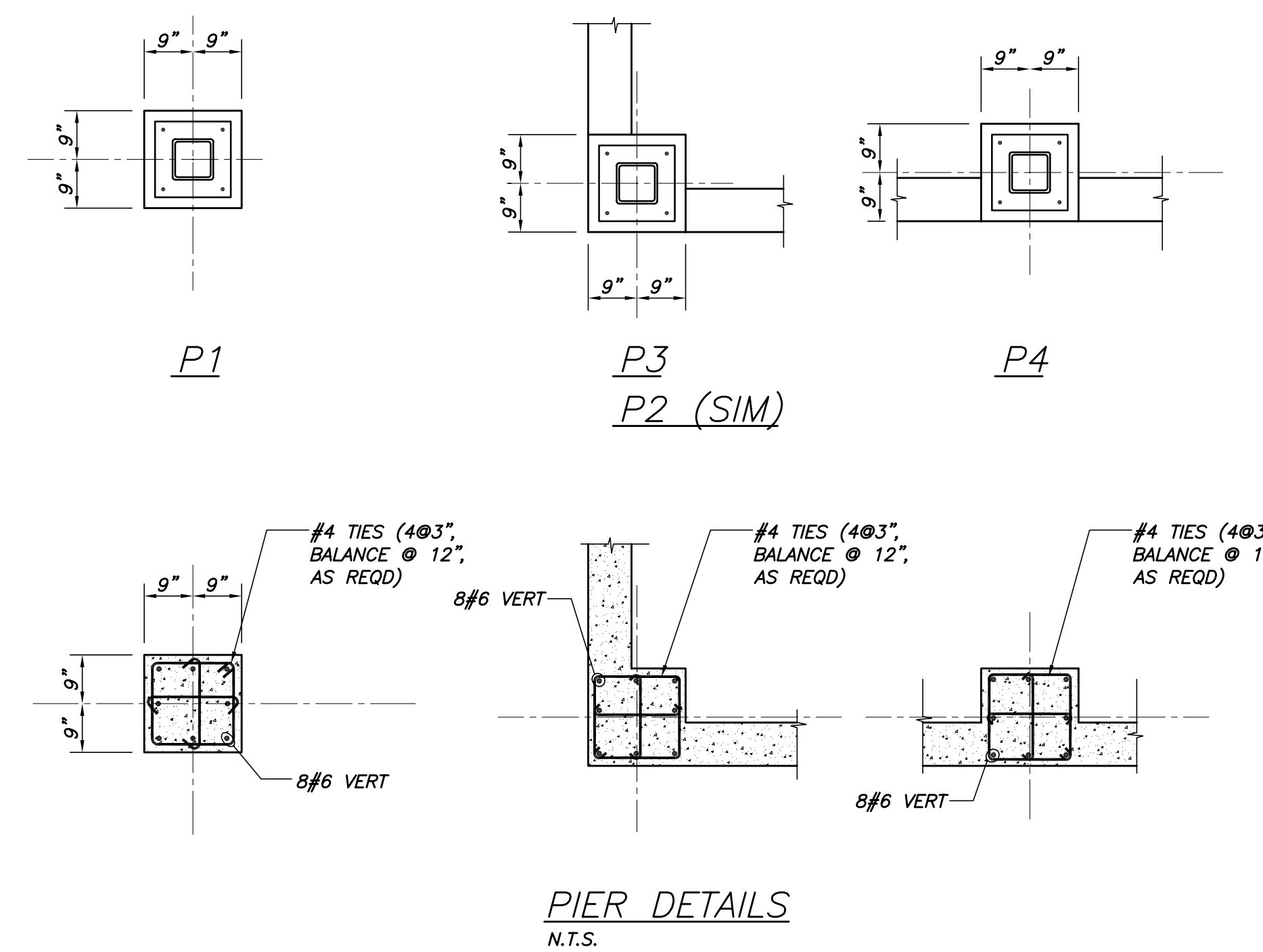
SECTION 5
BEYOND OPENING
1/2"=1'-0"



SECTION 7
1/2"=1'-0"



SECTION 6
1/2"=1'-0"



PIER DETAILS
N.T.S.

Pearl Place
Building 1 & 2
Portland Maine

Developer
Avesta Pearl Street One, L.P.

Architect
Winton Scott Architects

Landscape Architect
Carroll Associates

Structural Engineer
Becker Structural Engineers

Concrete Sections & Details
S2.3
Sept 1, 2006

Scale: Noted