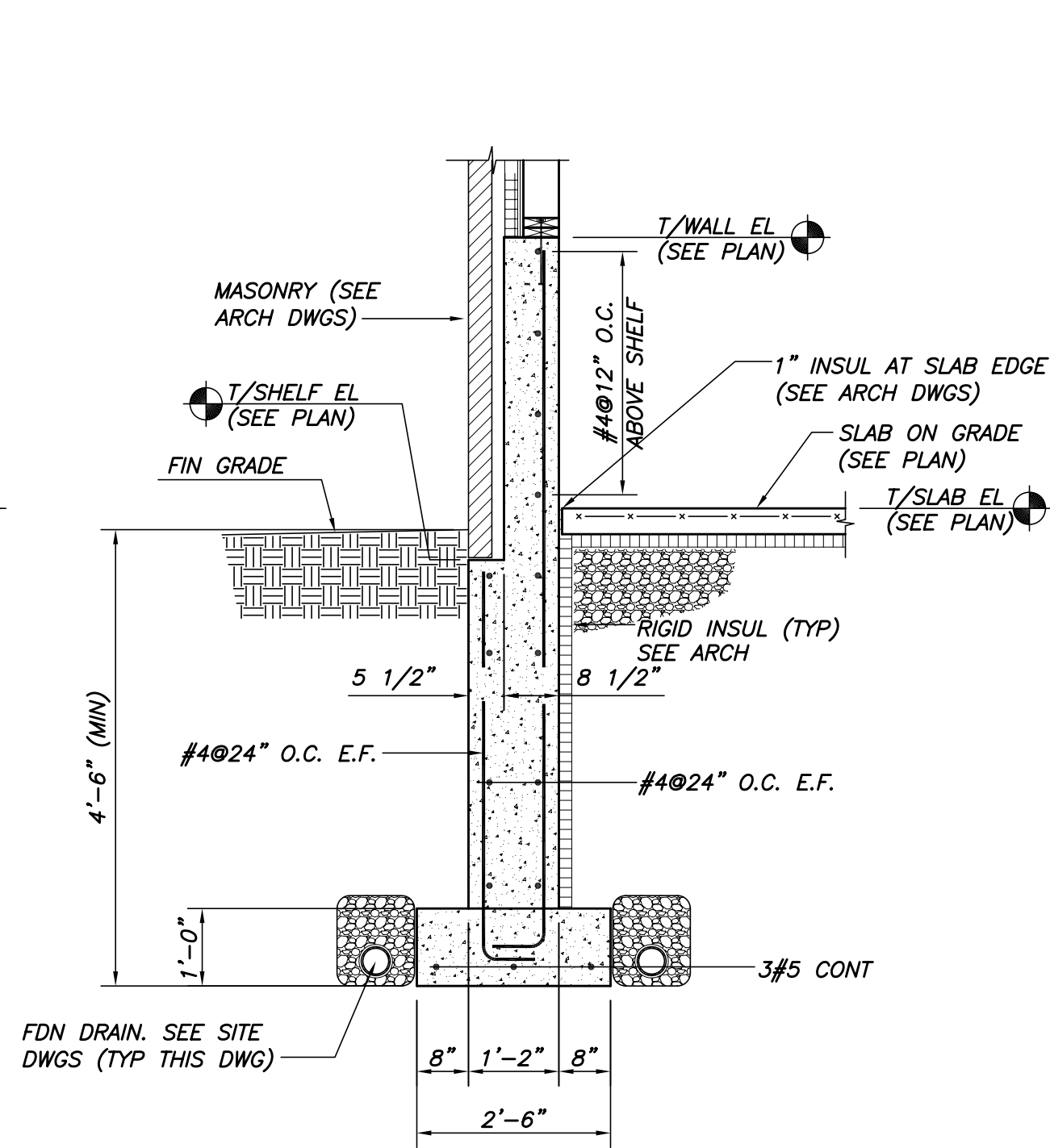
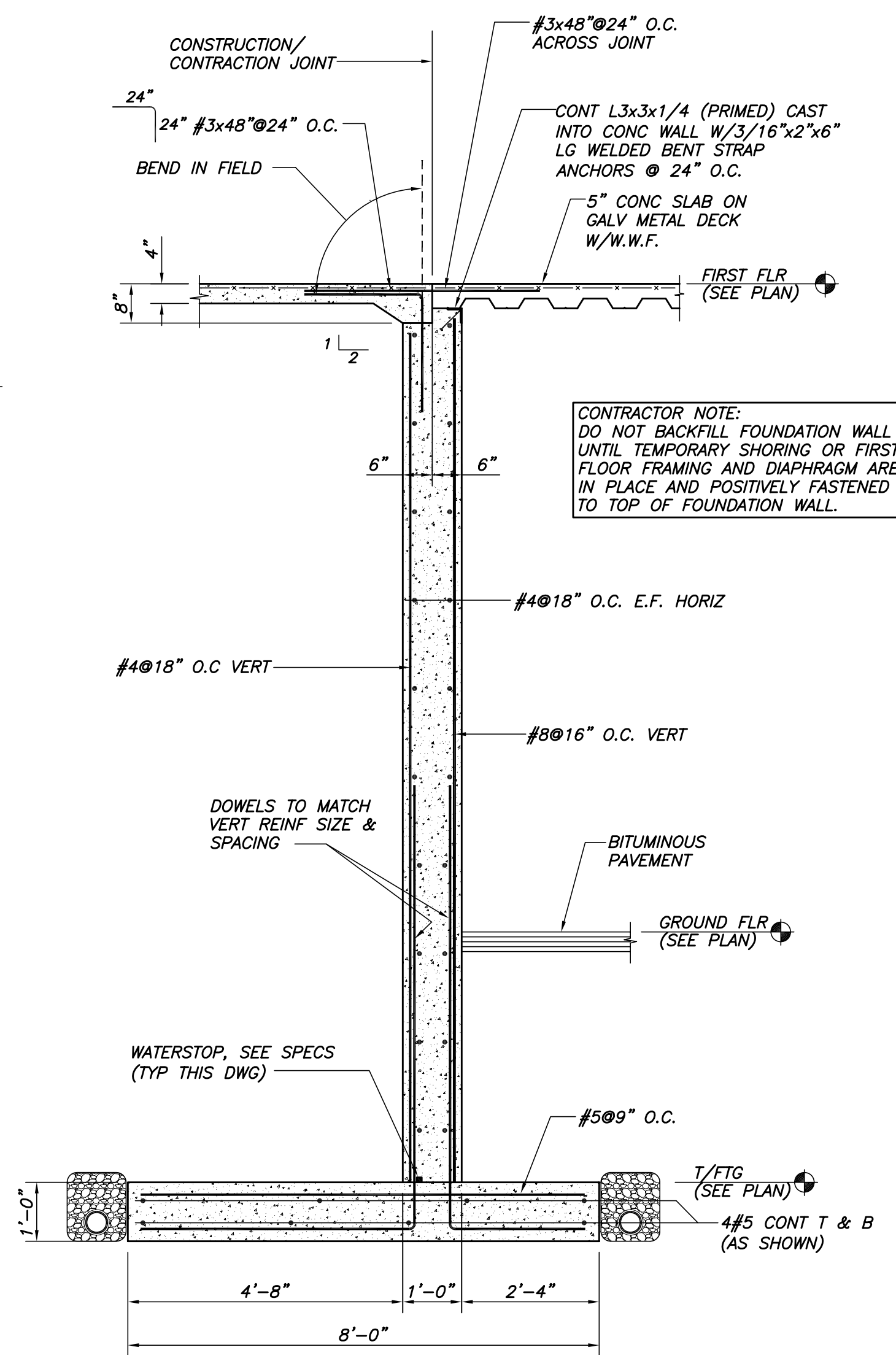


SECTION 1  
1/2"=1'-0"

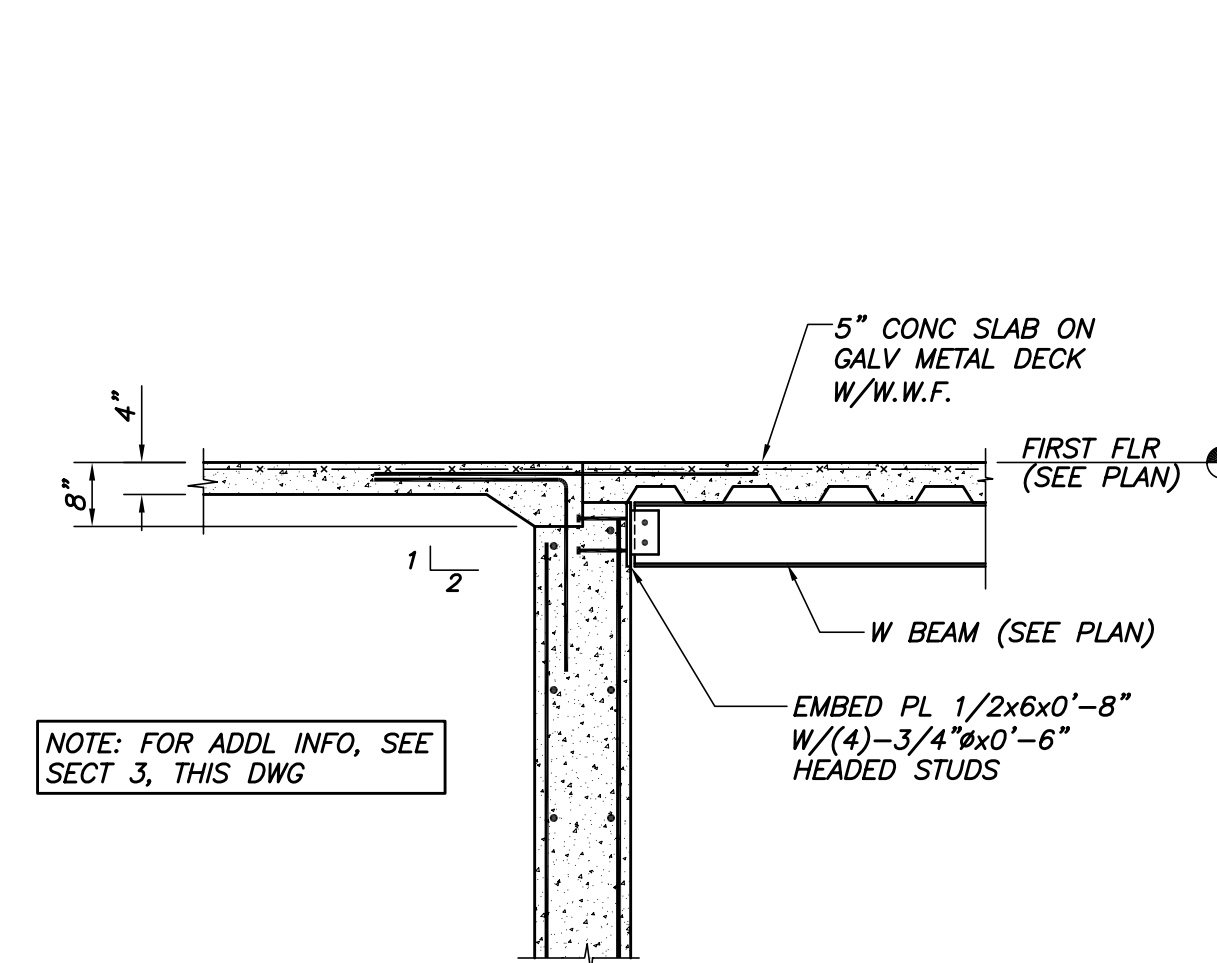


SECTION 2  
1/2"=1'-0"

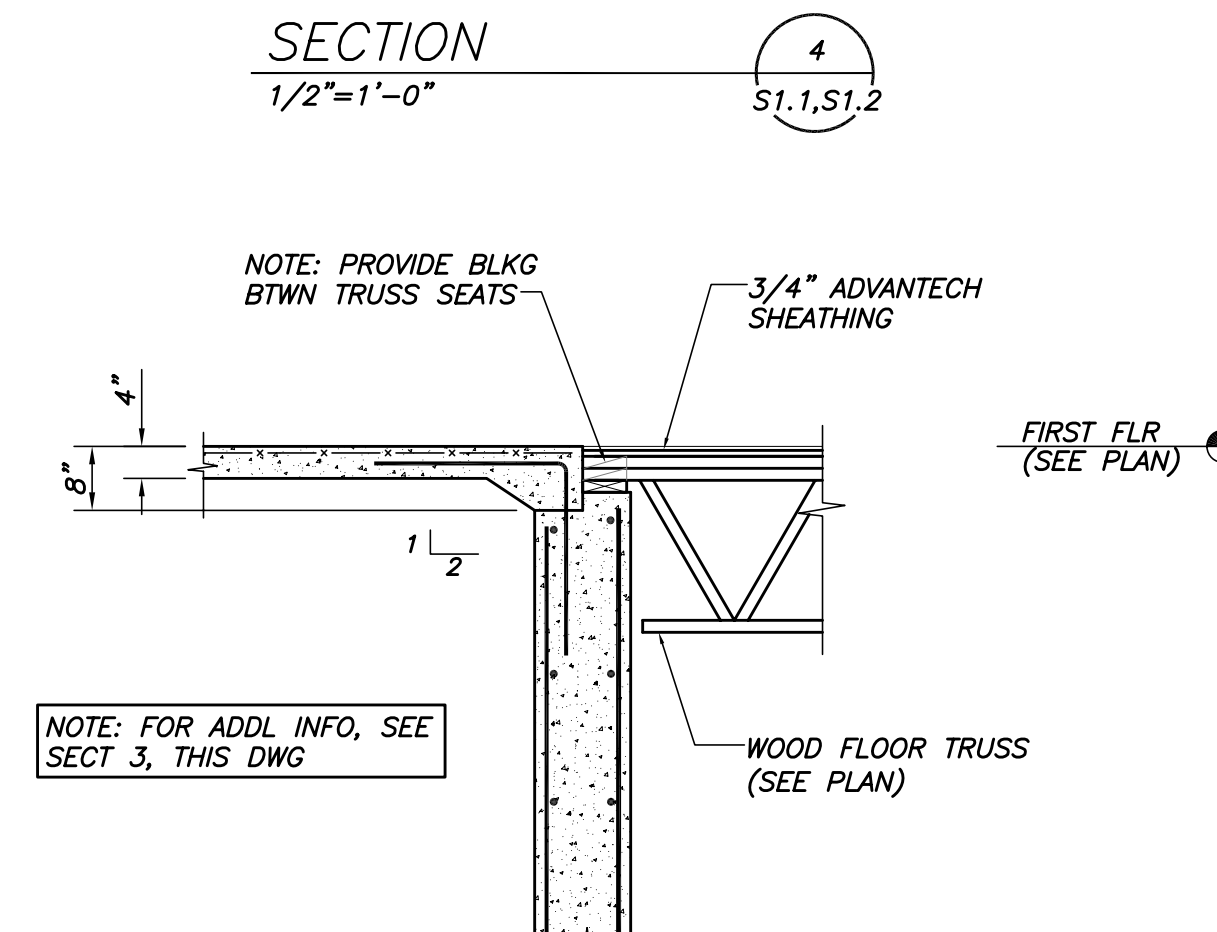


BUILDING 1 - RETAINING WALL

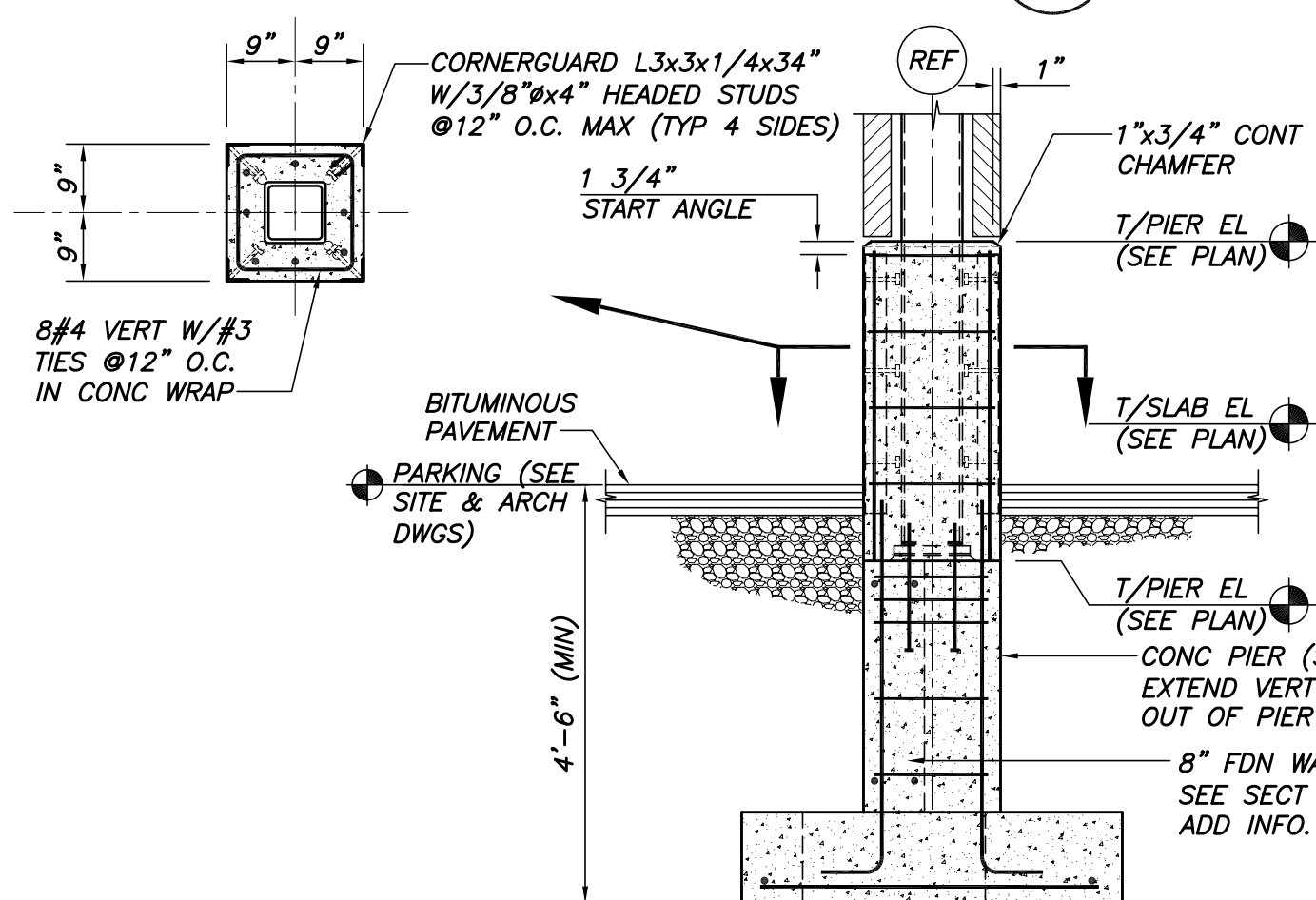
SECTION 3  
1/2"=1'-0"



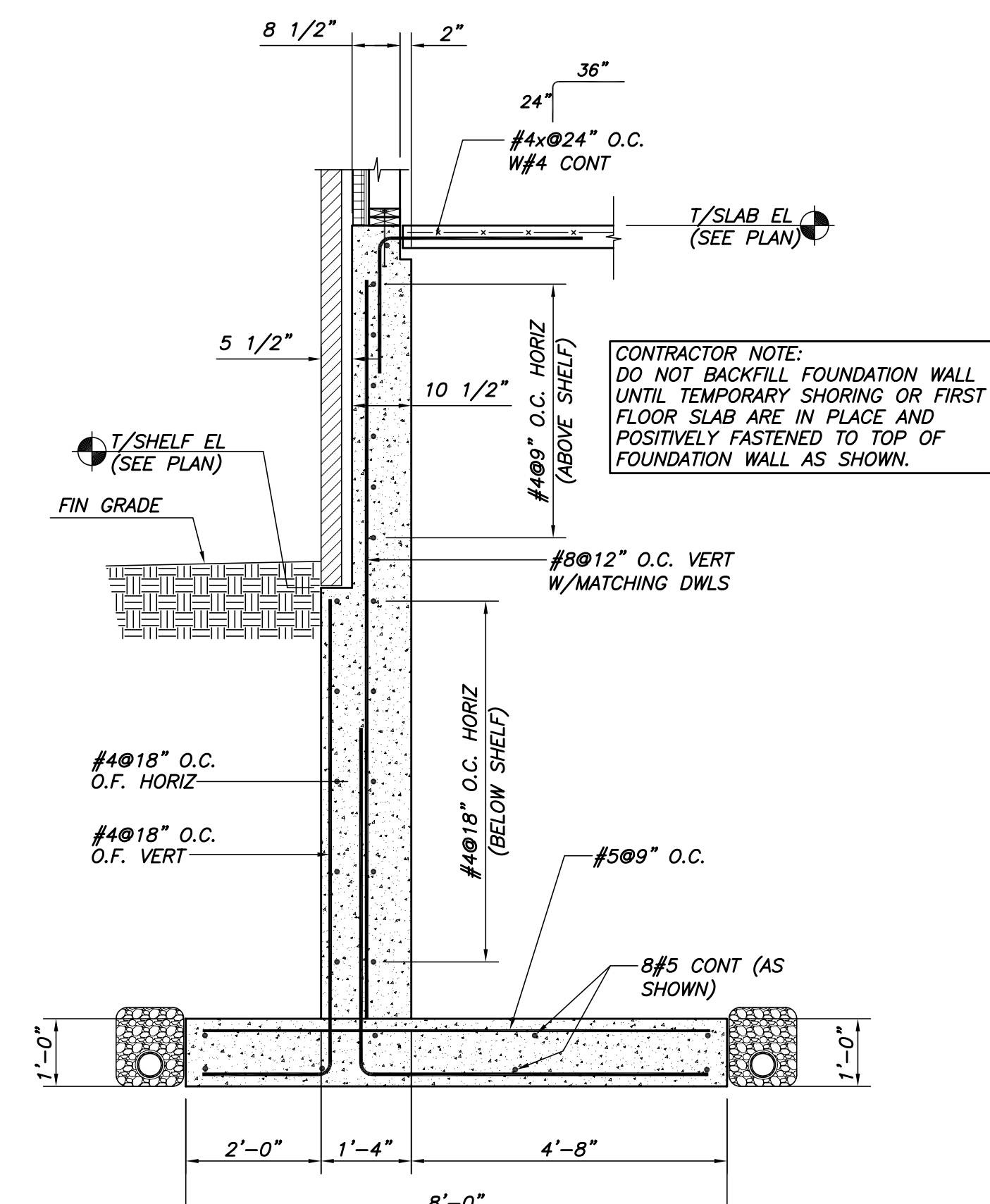
SECTION 4  
1/2"=1'-0"



SECTION 5  
1/2"=1'-0"

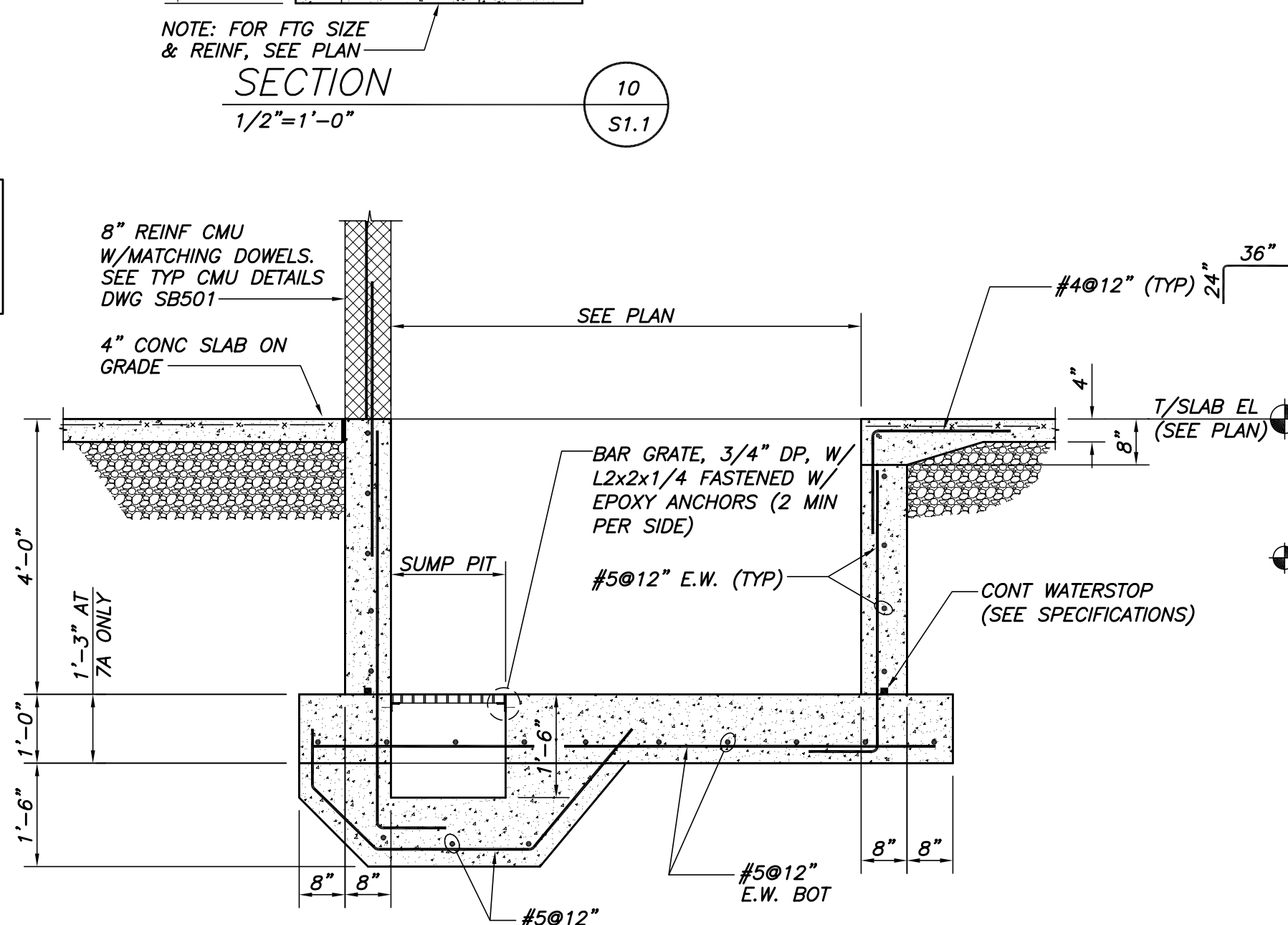


SECTION 10  
1/2"=1'-0"

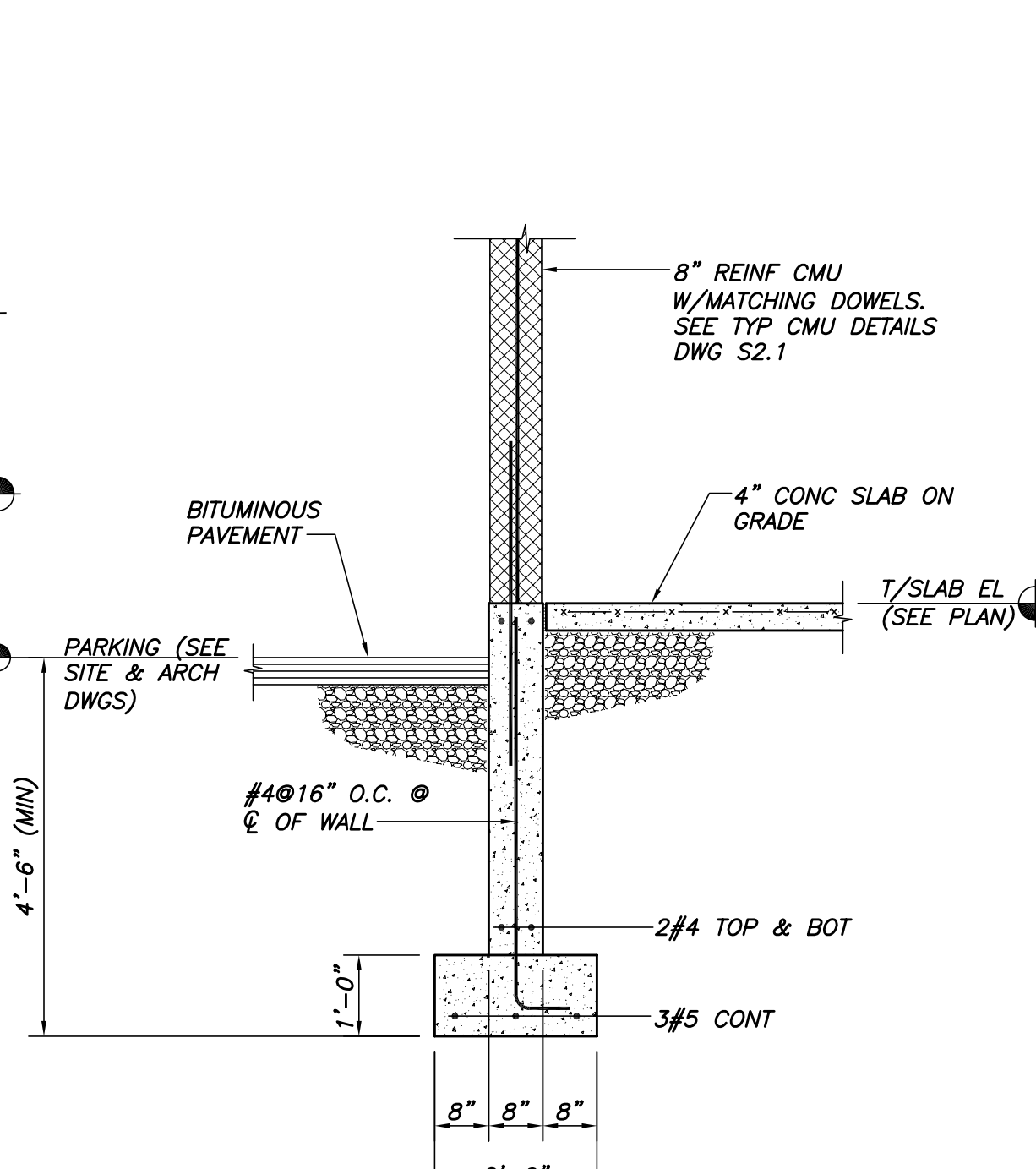


BUILDING 1 - RETAINING WALL

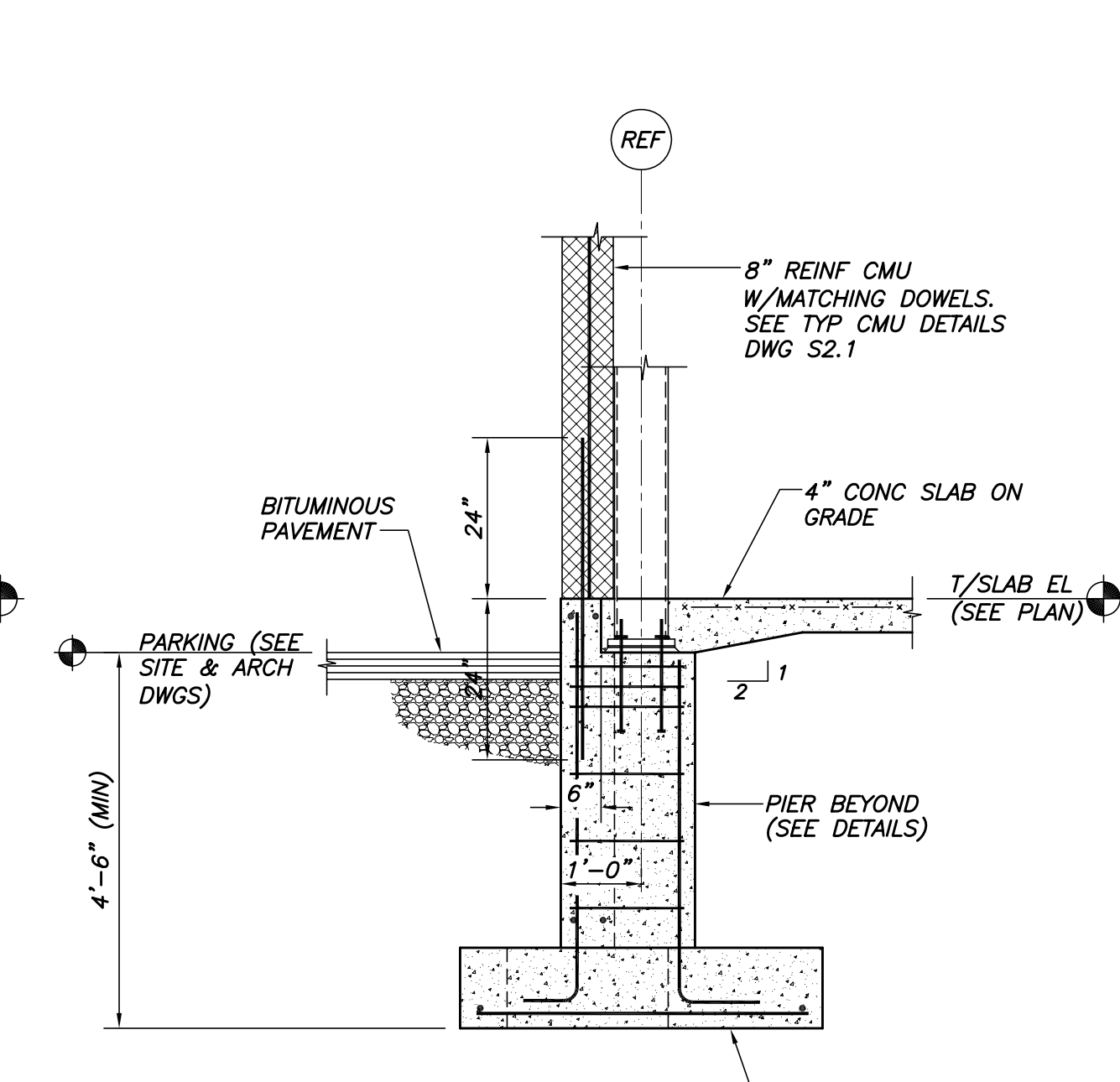
SECTION 6  
1/2"=1'-0"



SECTION 7,7A  
1/2"=1'-0"



SECTION 8  
1/2"=1'-0"



SECTION 9  
1/2"=1'-0"

# Pearl Place Building 1 & 2 Portland Maine

Developer  
Avesta Pearl Street One, L.P.

Architect  
Winton Scott Architects

Landscape Architect  
Carroll Associates

Structural Engineer  
Becker Structural Engineers

Concrete Sections & Details  
S2.2

Sept 1, 2006

Scale: Noted