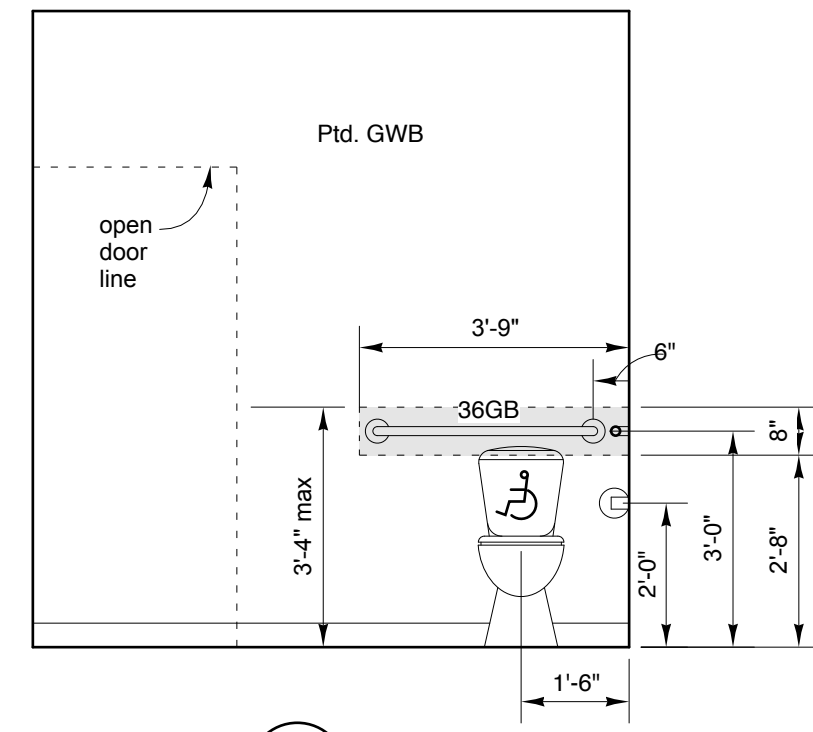
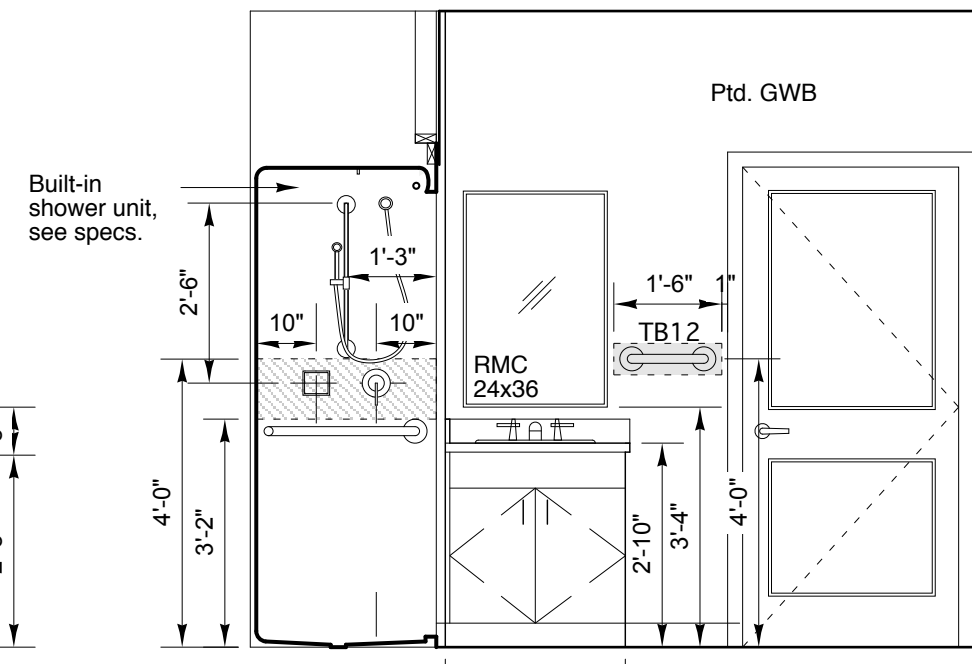


BATHROOM TYPE "E"
Accessible Type "A"

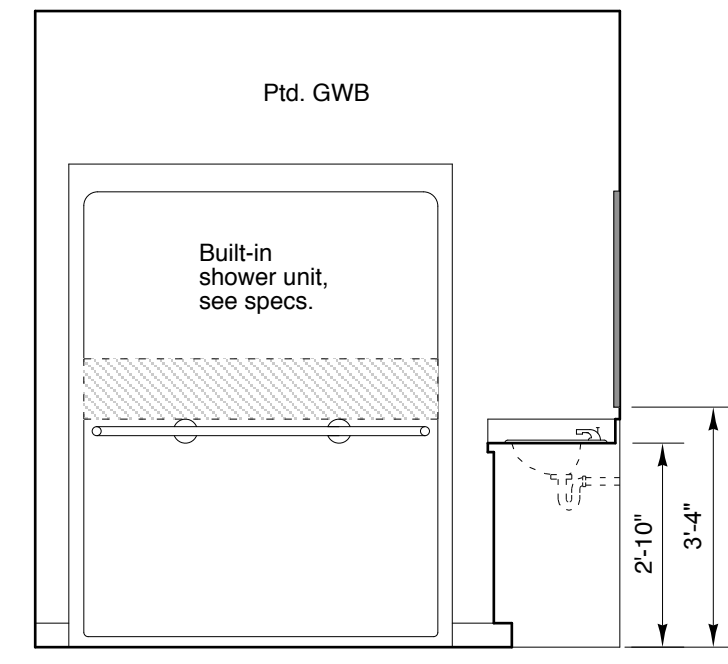
1



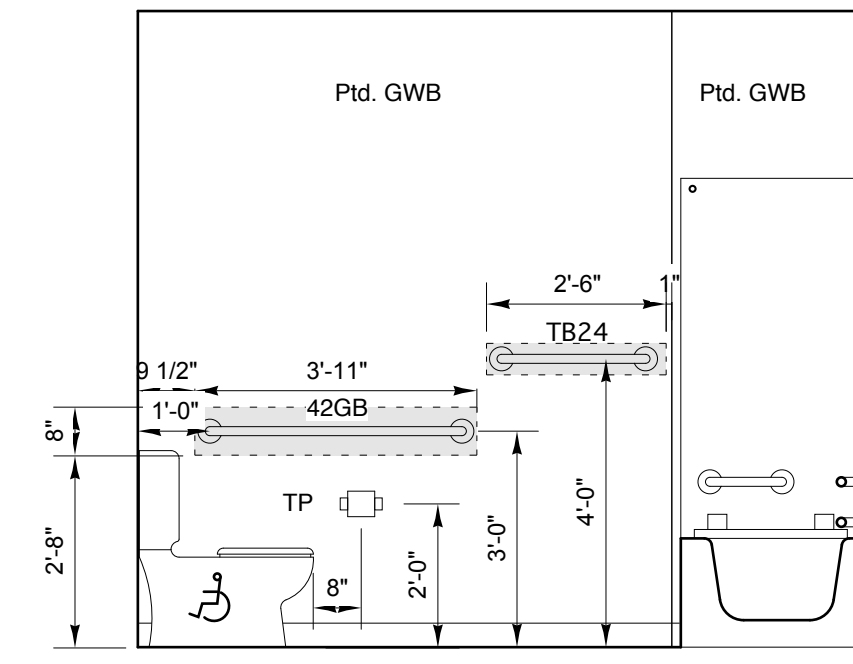
2



3

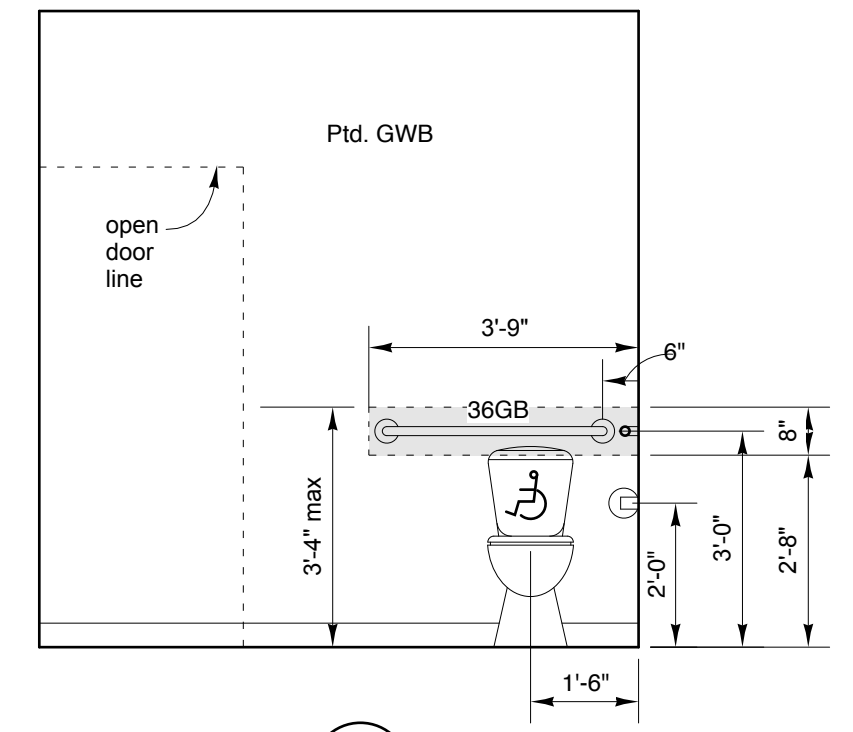


4

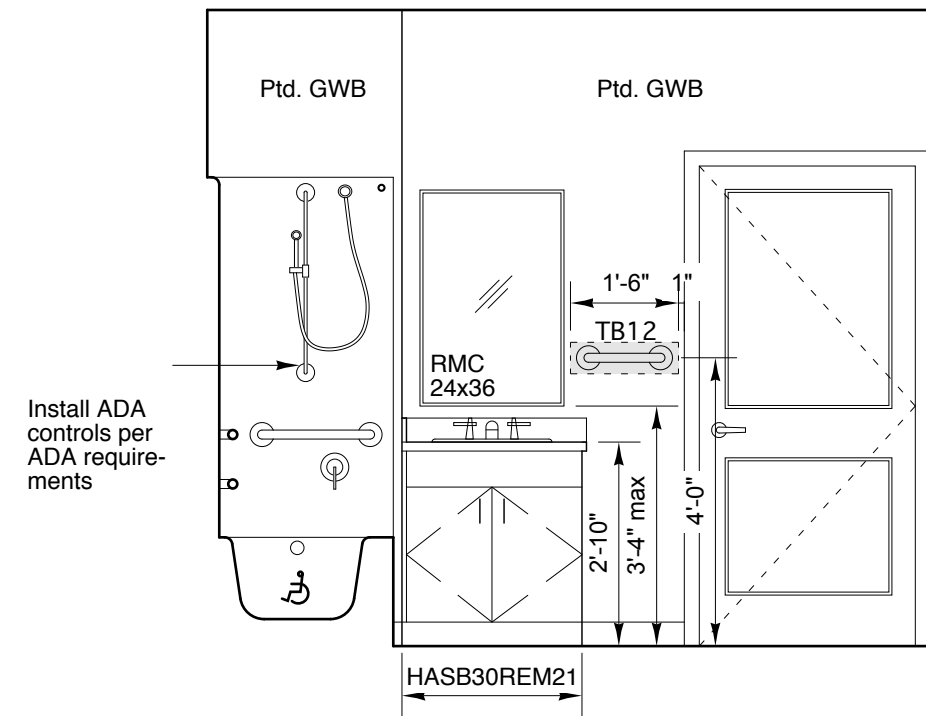


BATHROOM TYPE "F"
Accessible Type "AA"

5

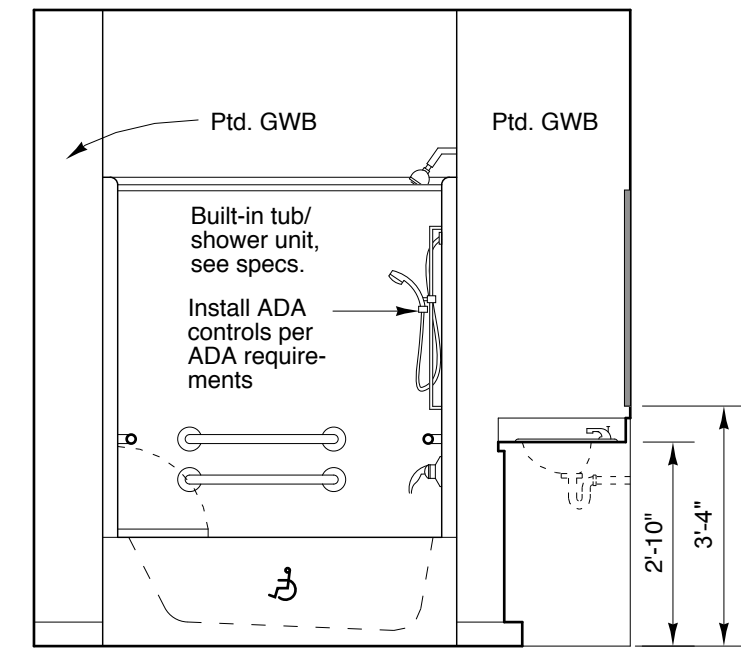


6

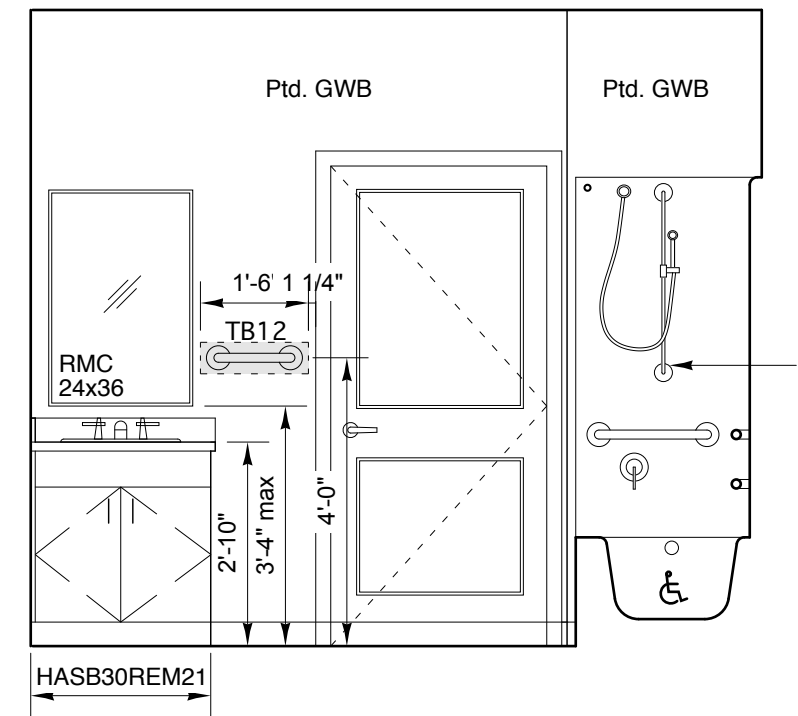


BATHROOM TYPE "F"
Accessible Type "AA"

7

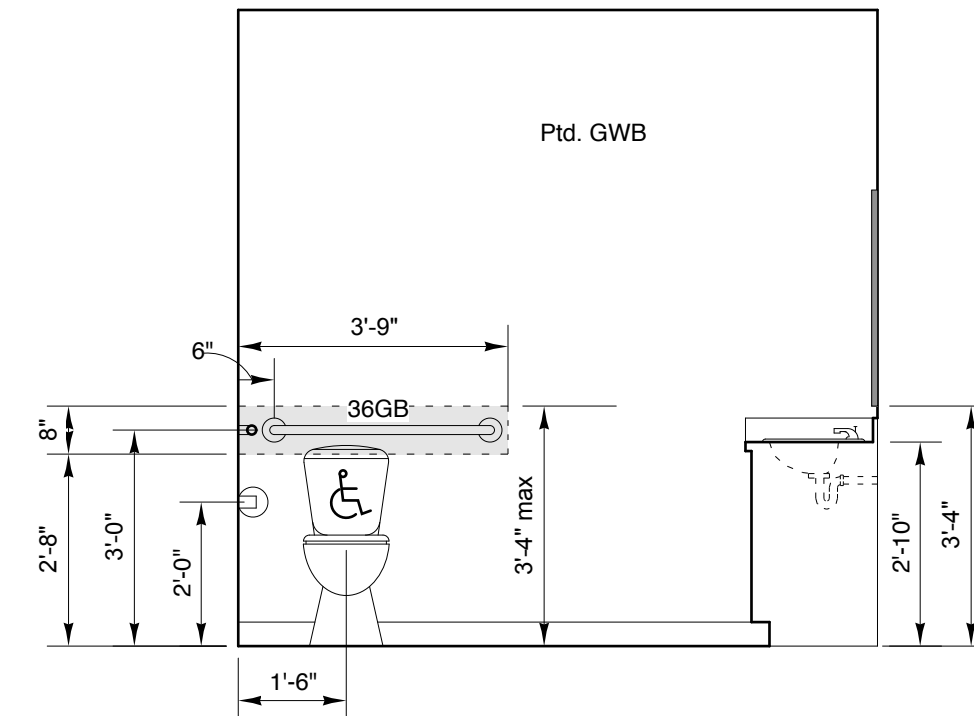


8

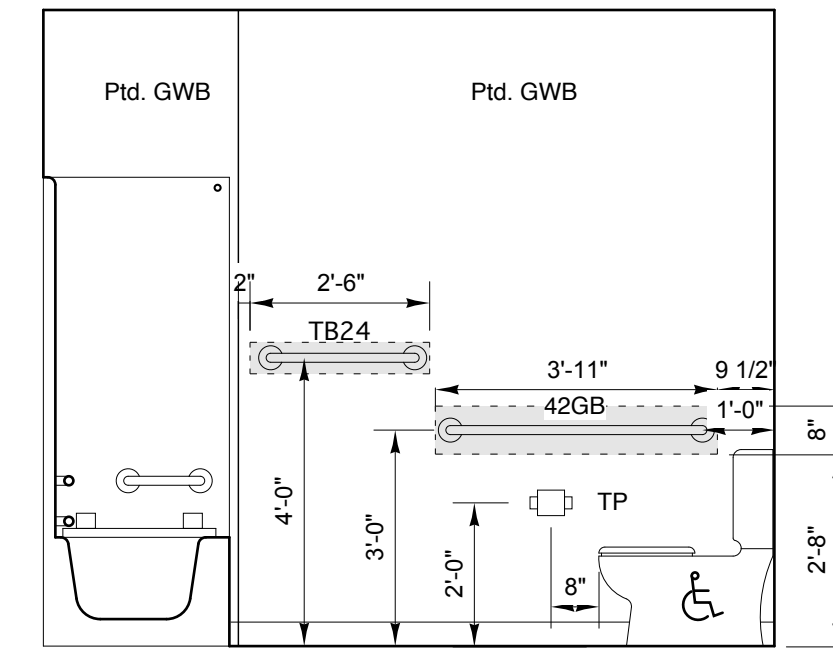


BATHROOM TYPE "G"
Accessible Type "AA"

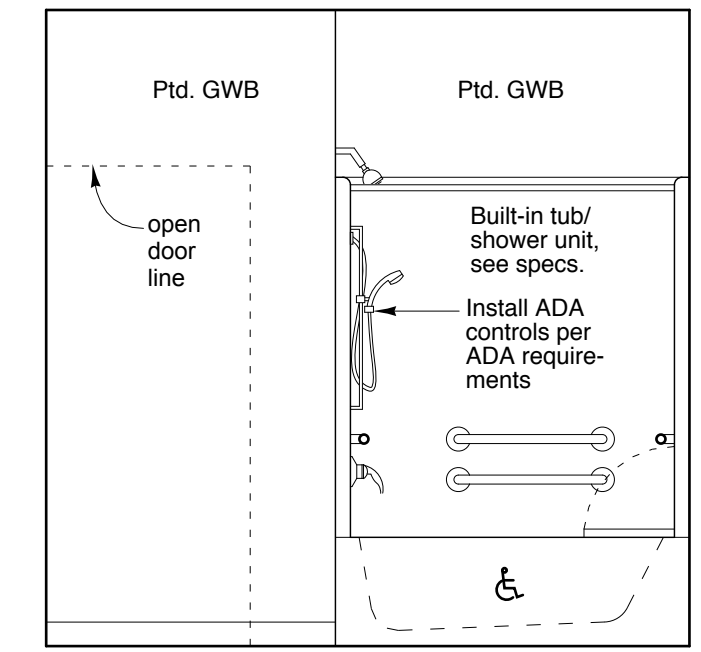
9



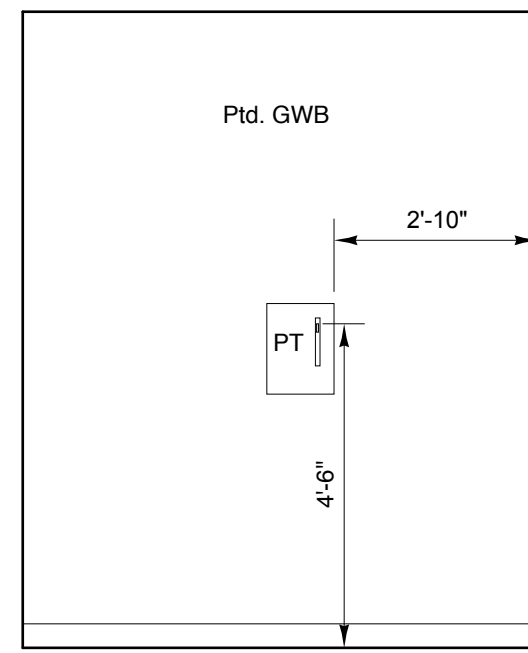
10



11

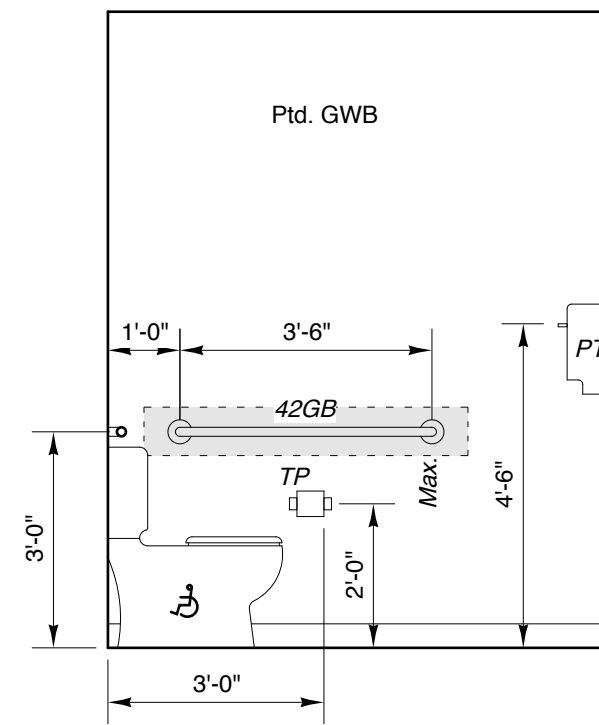


12

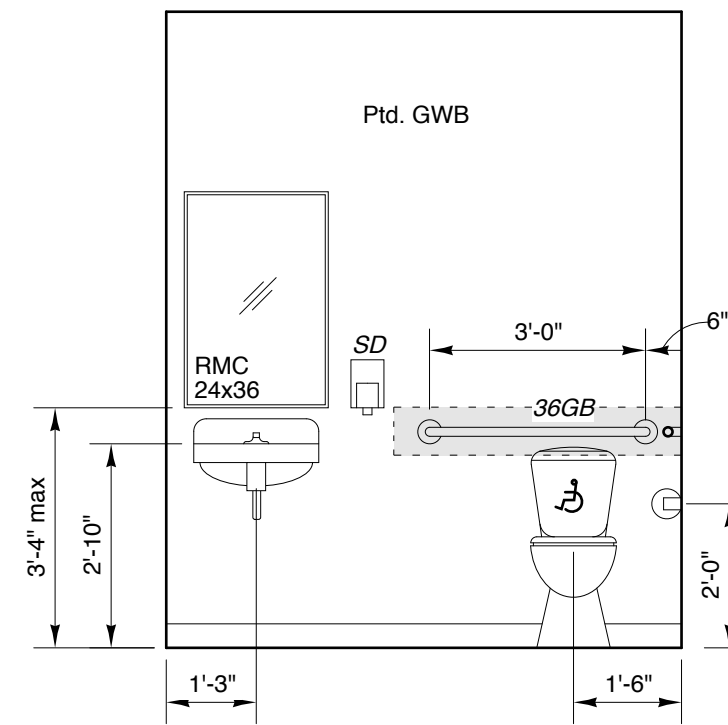


PUBLIC TOILET
Accessible

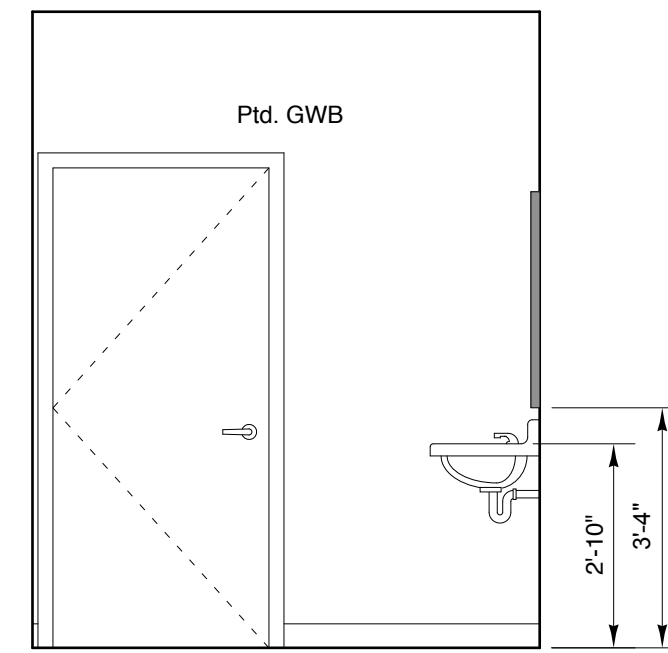
13



14



15



16

**Pearl Place
Building 1 & 2**
Portland Maine

Developer
Avesta Pearl
Street One, L.P.

Architect
Winton Scott Architects

Landscape Architect
Carroll Associates
Civil
Gorrill Palmer
Consulting Engineers
Structural
Becker Structural
Mechanical / Plumbing
Mechanical Systems
Engineers
Electrical
Bartlett Designs

BUILDING 1&2
Bathrooms
Plans & Elevations
A 7.3

Scale: 3/8" = 1'-0"

September 1, 2006