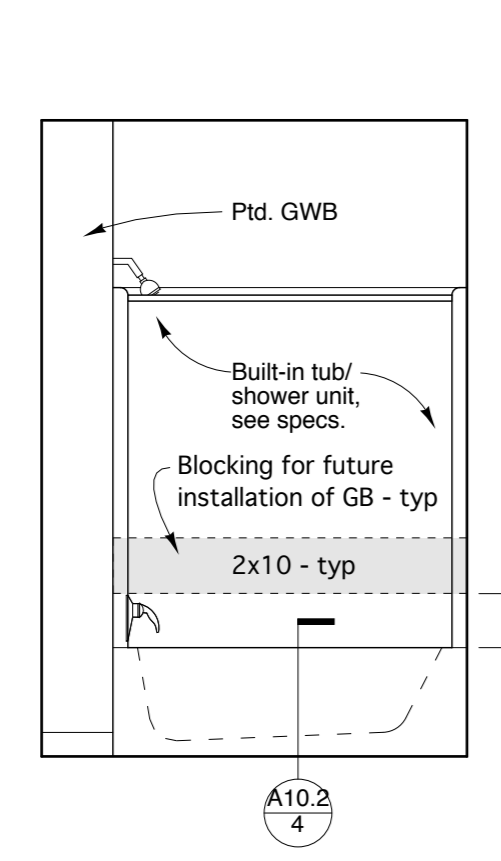
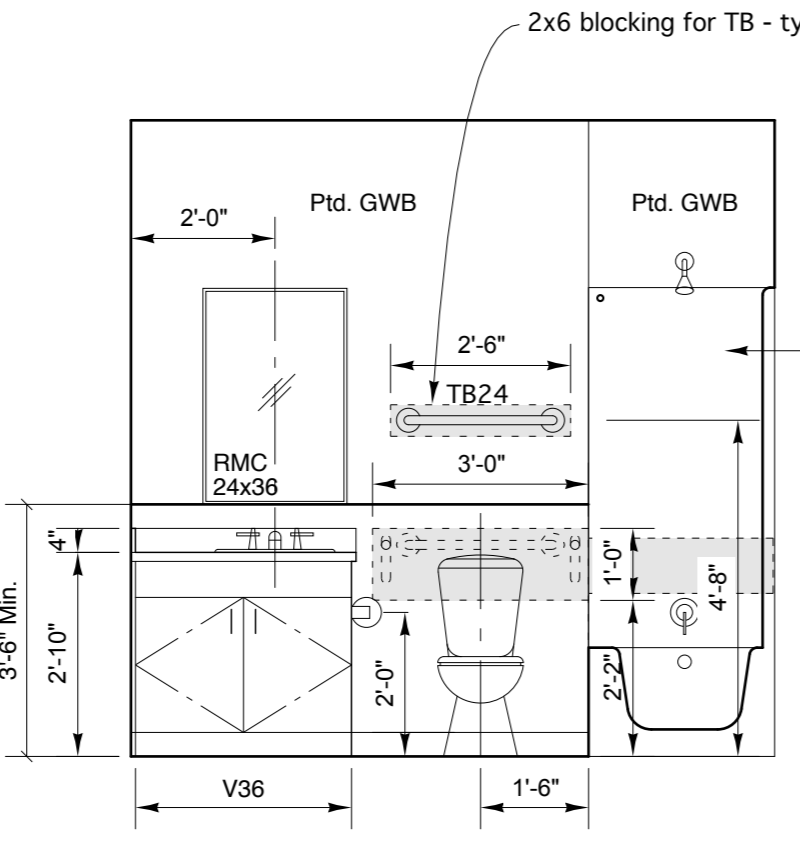


1

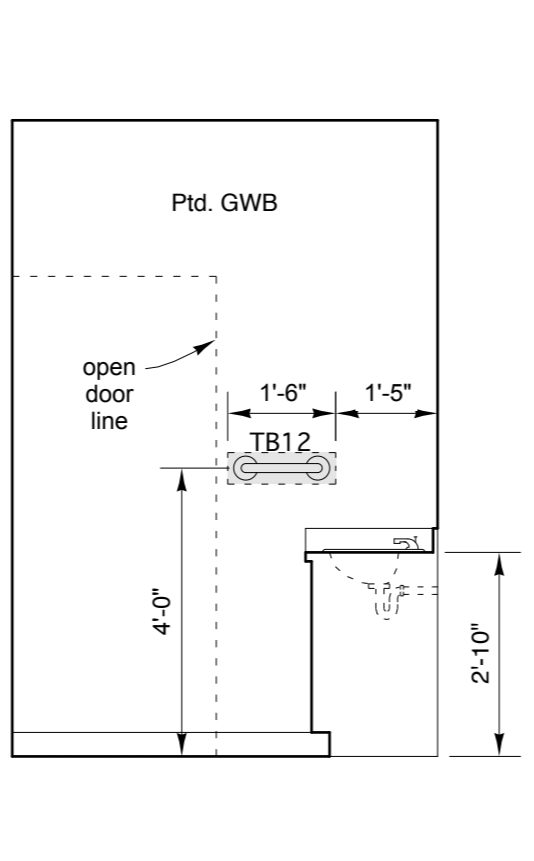
BATHROOM TYPE "A"
Adaptable



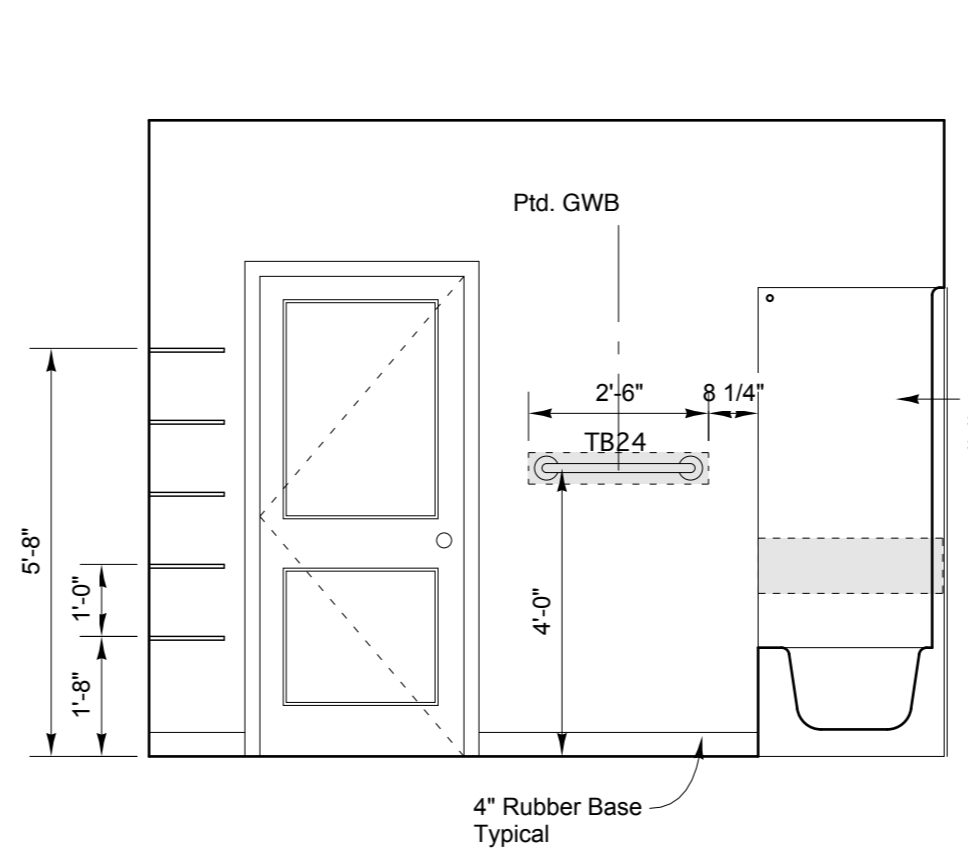
2



3

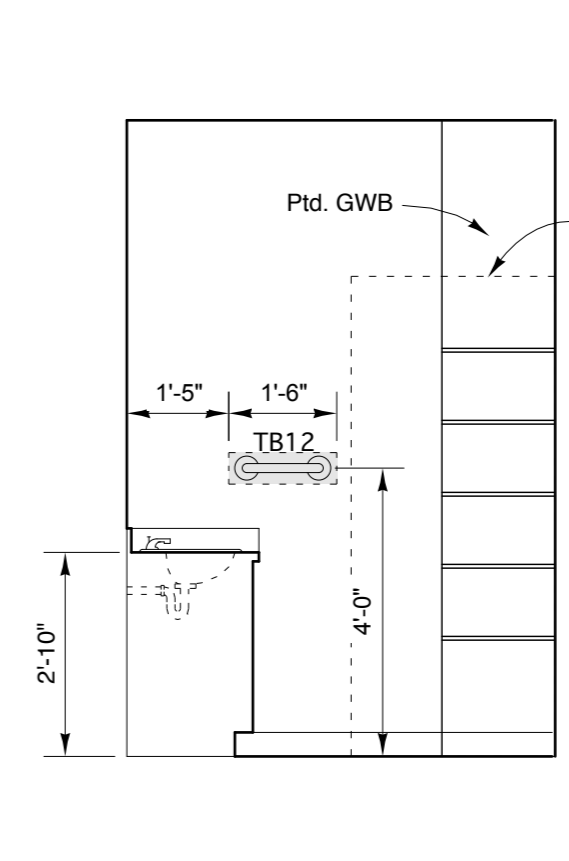


4

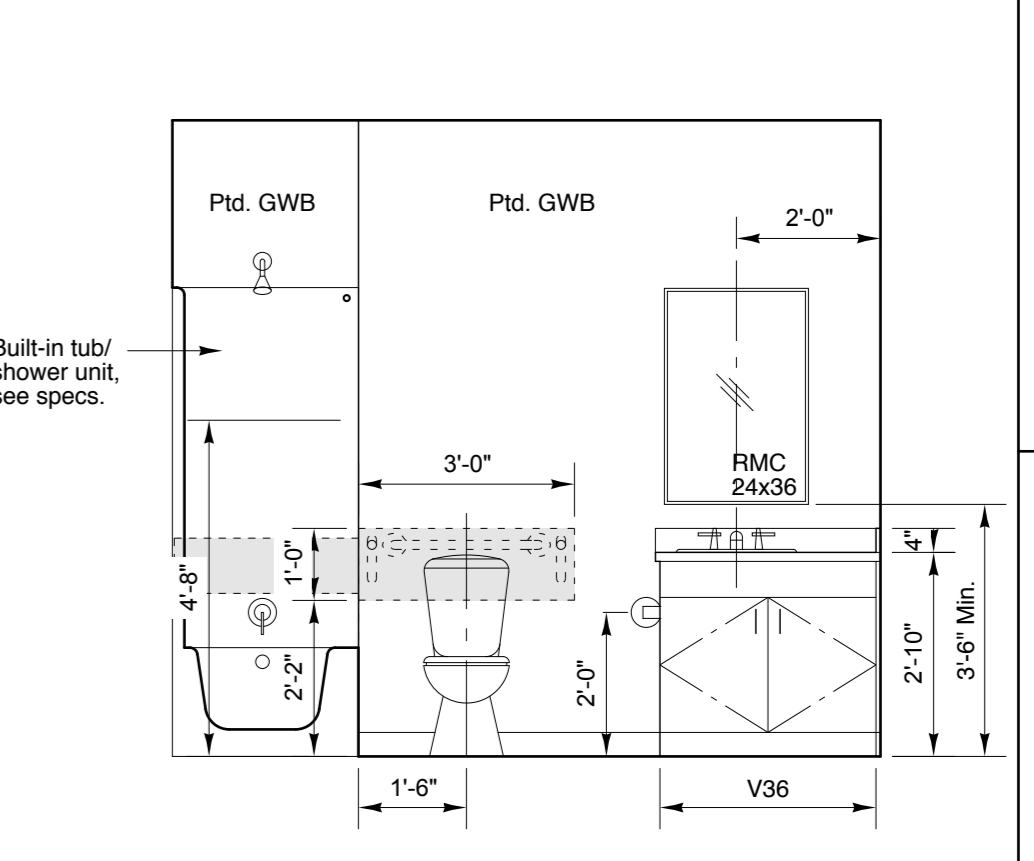


5

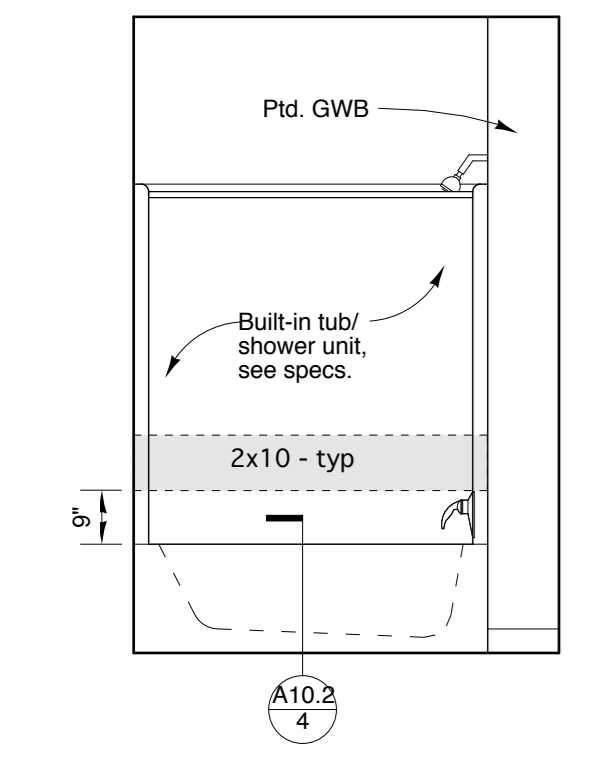
BATHROOM TYPE "B", "J", "K"
Adaptable



6

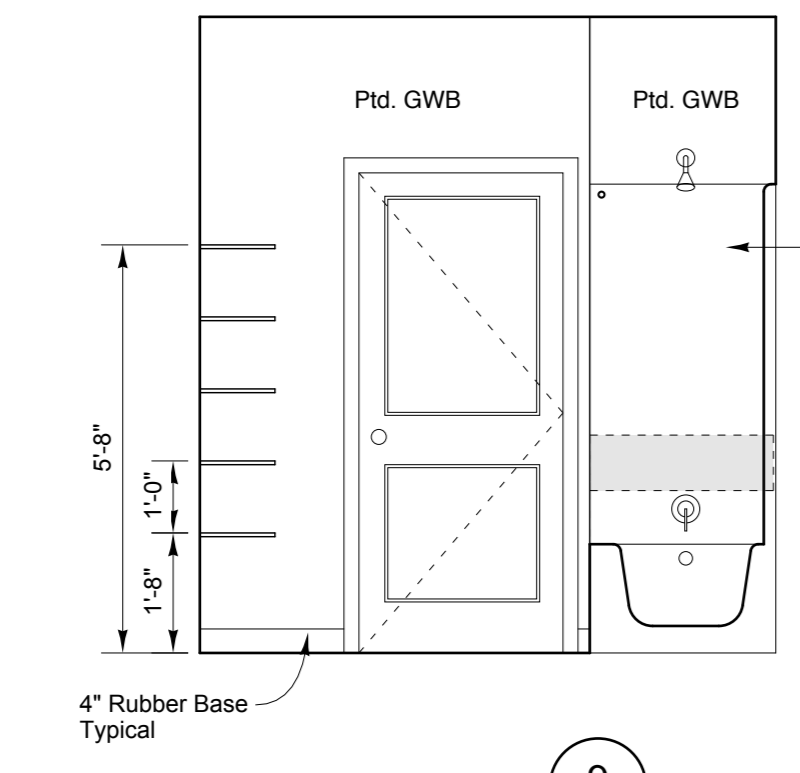


7



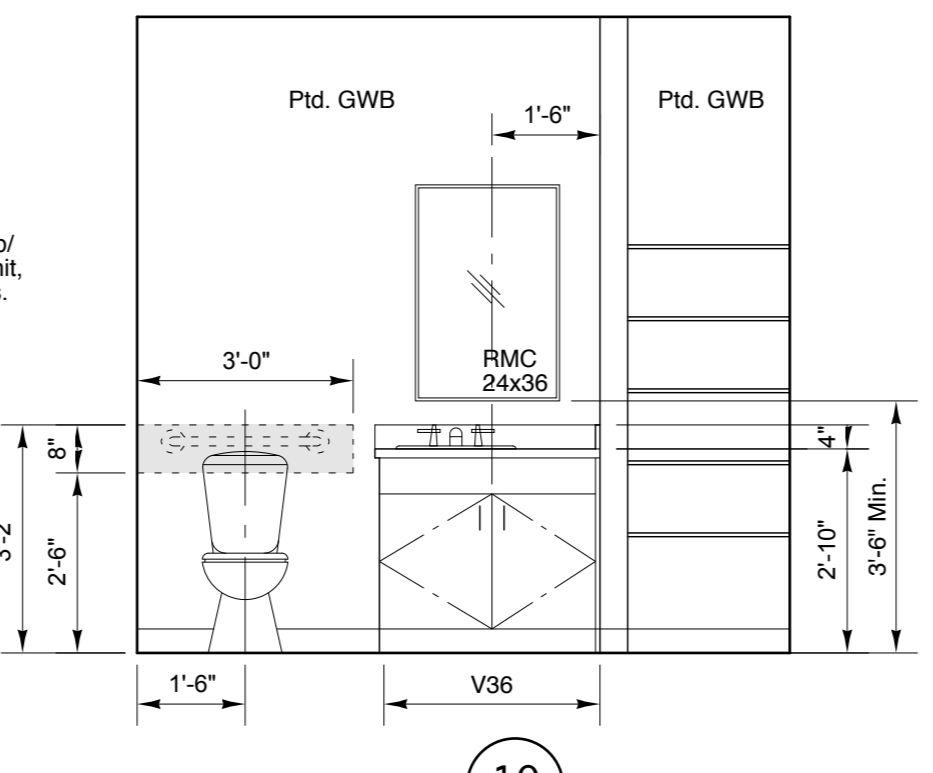
8

BATHROOM TYPE "B", "J", "K"
Adaptable

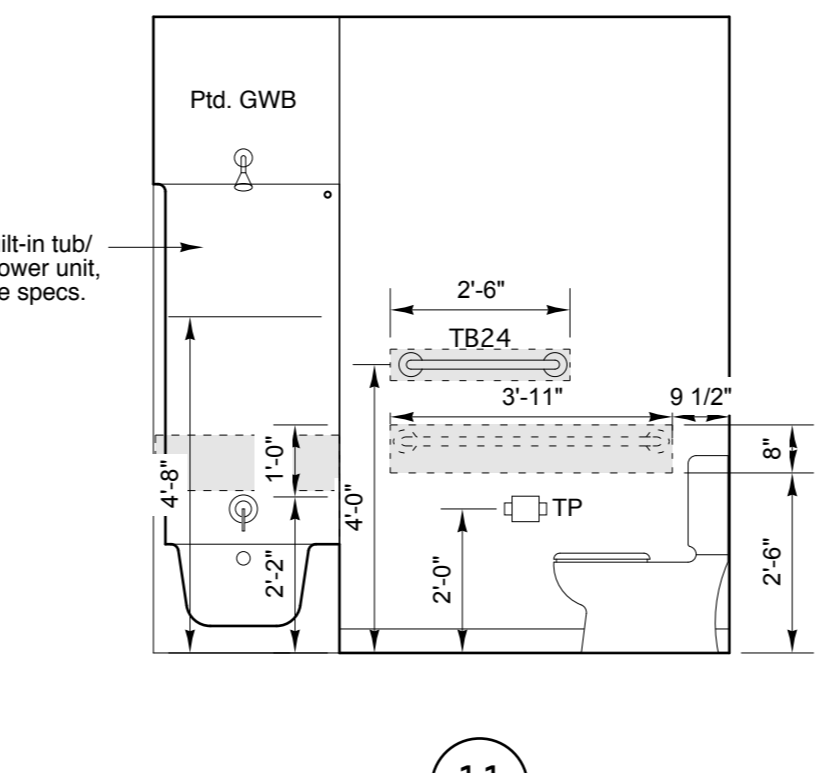


9

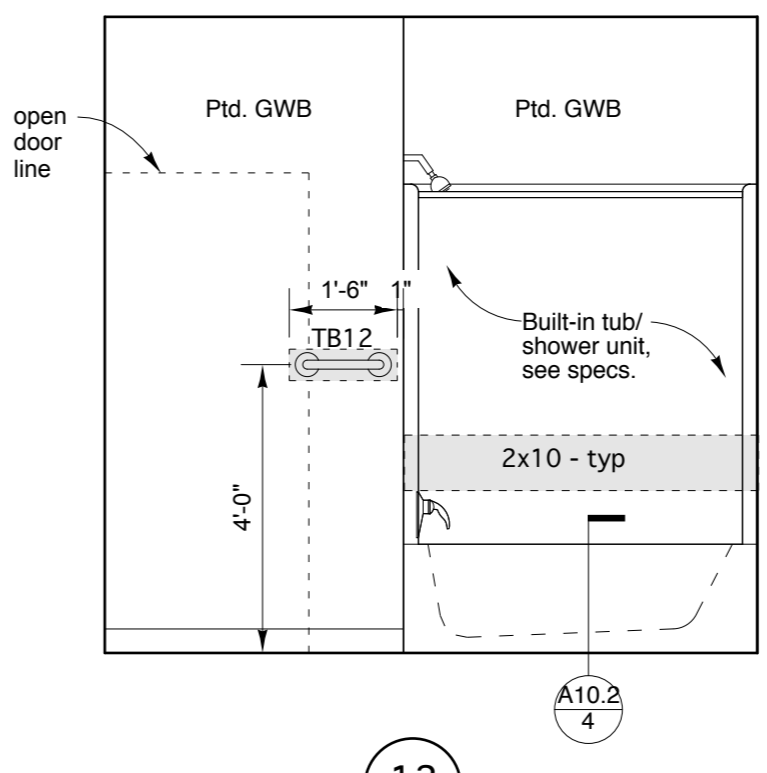
BATHROOM TYPE "C"
Adaptable



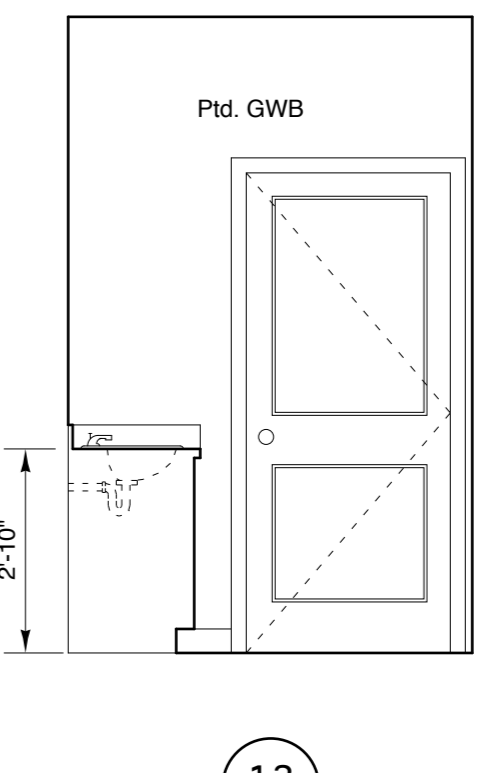
10



11

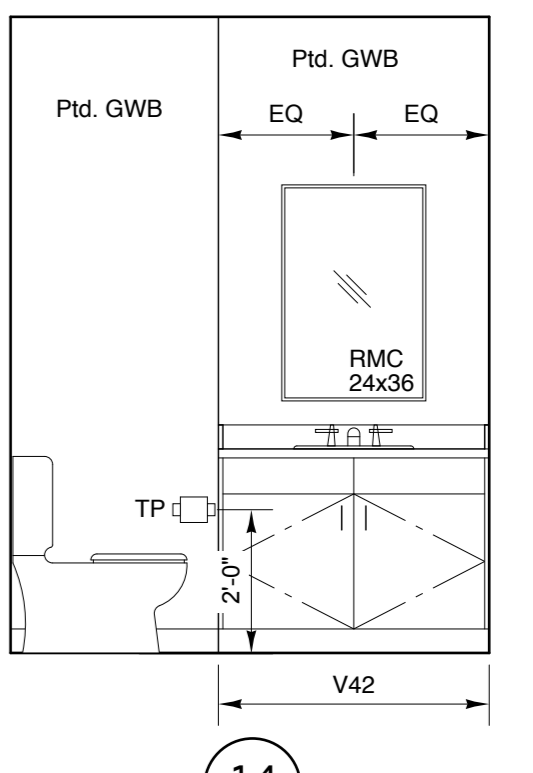


12

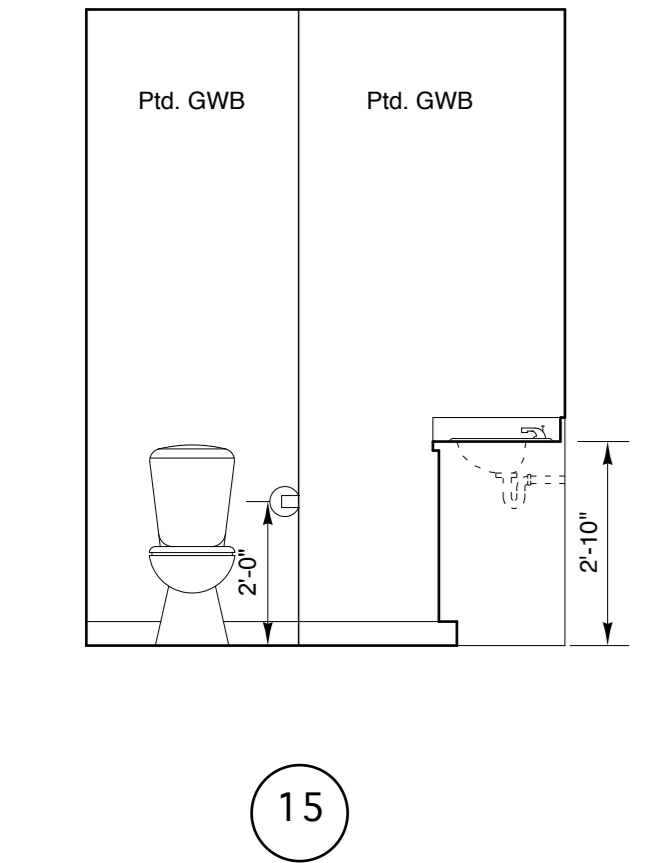


13

POWDER ROOM TYPE "C", "G"

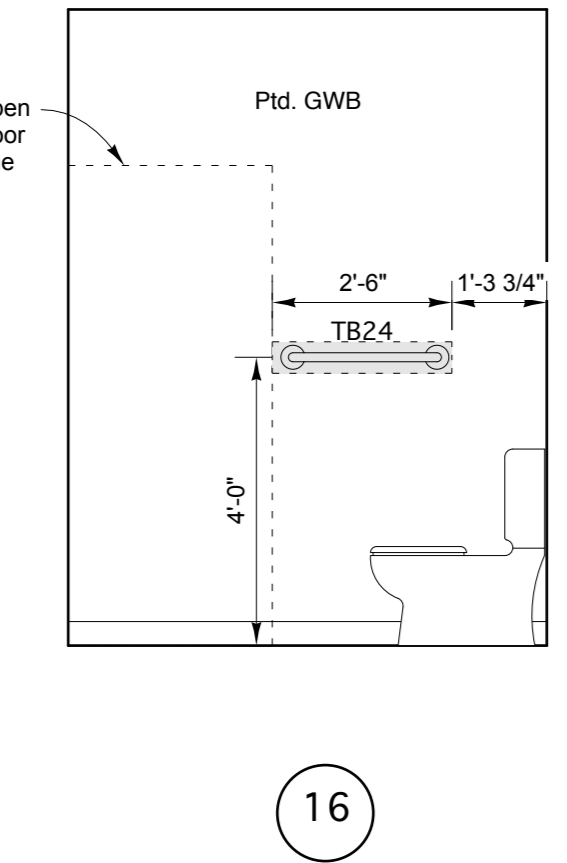


14

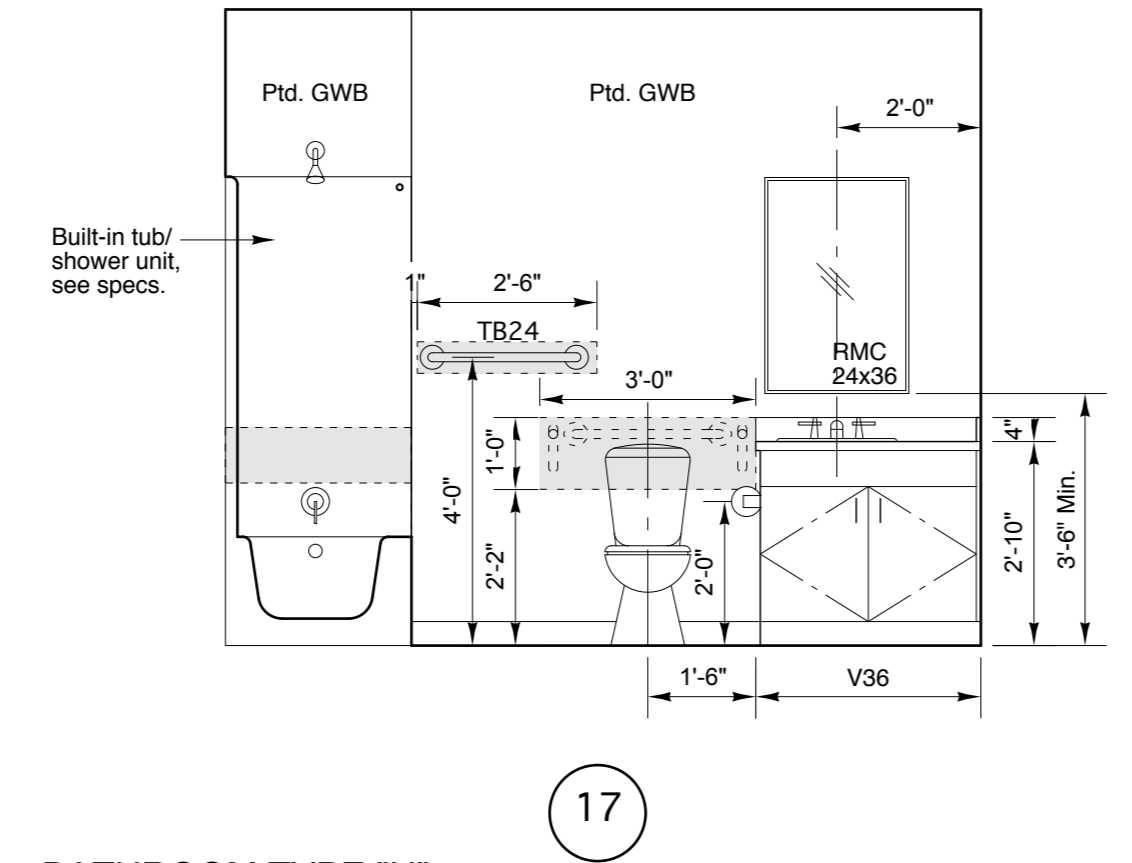


15

POWDER ROOM TYPE "C", "G"

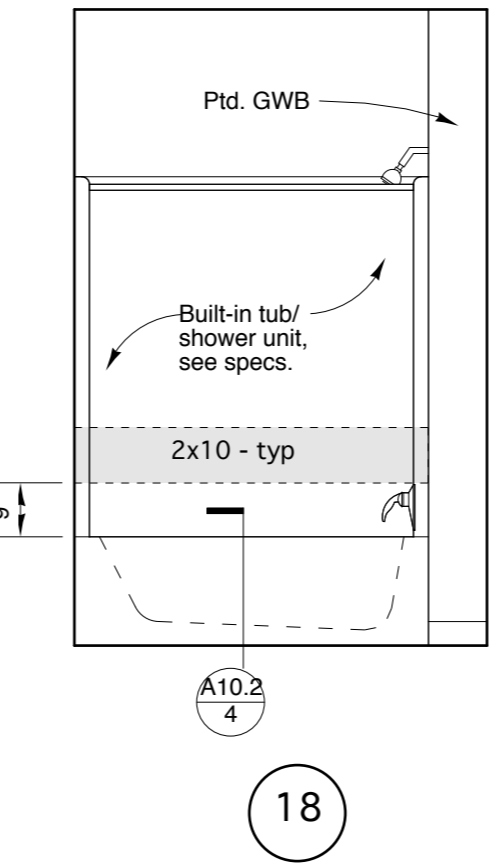


16

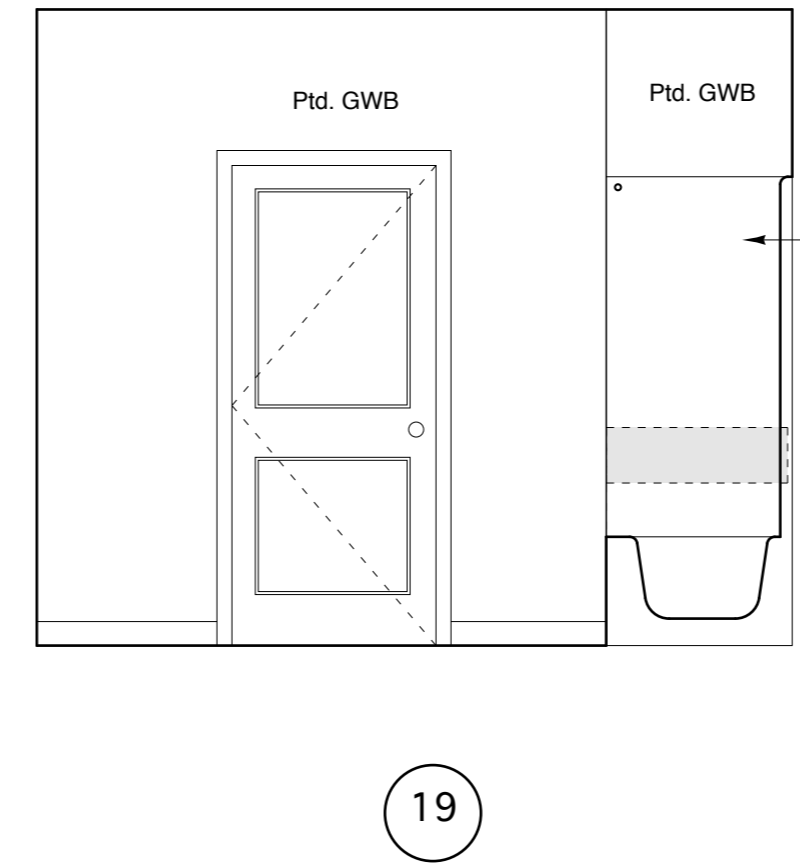


17

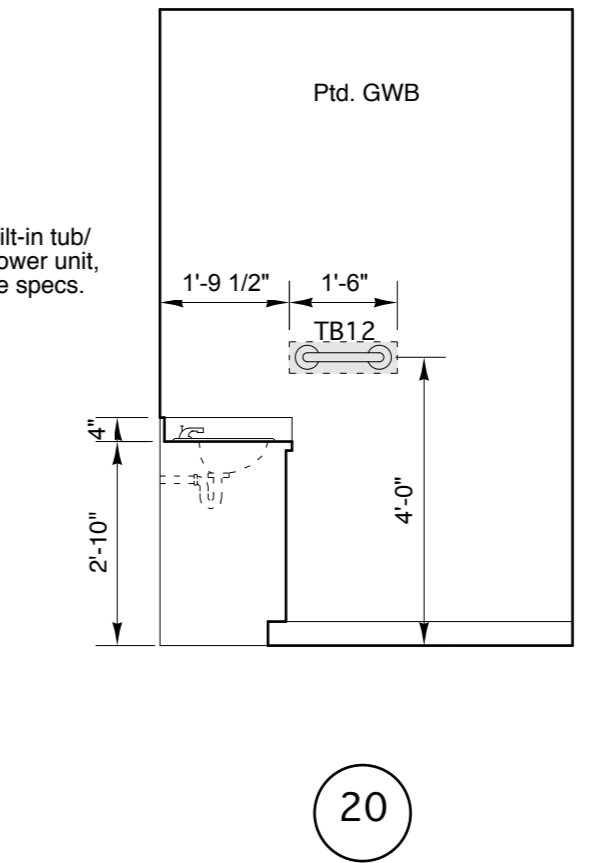
BATHROOM TYPE "H"
Adaptable



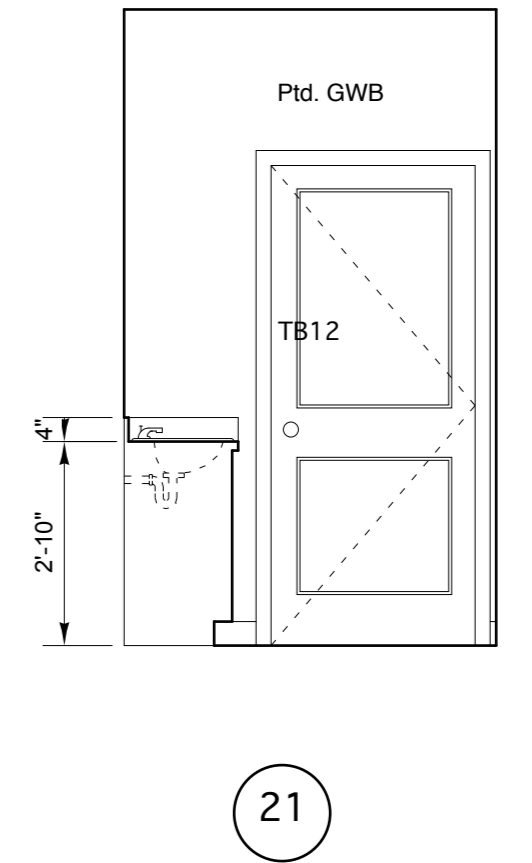
18



19

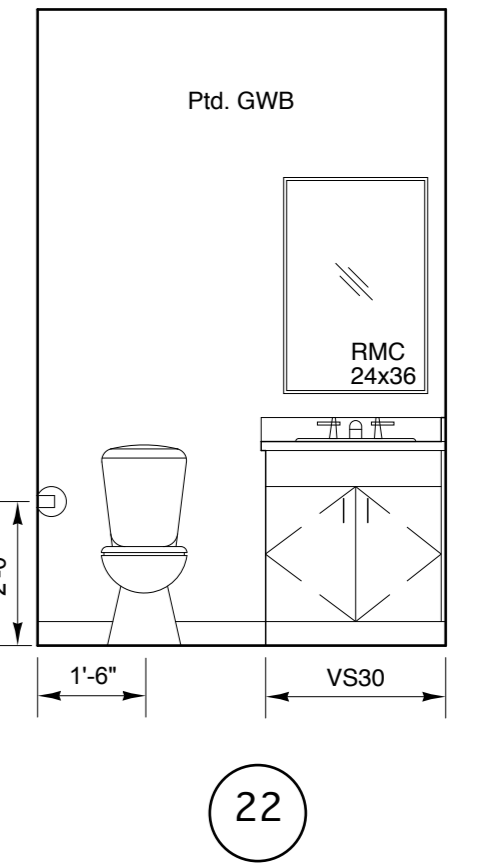


20

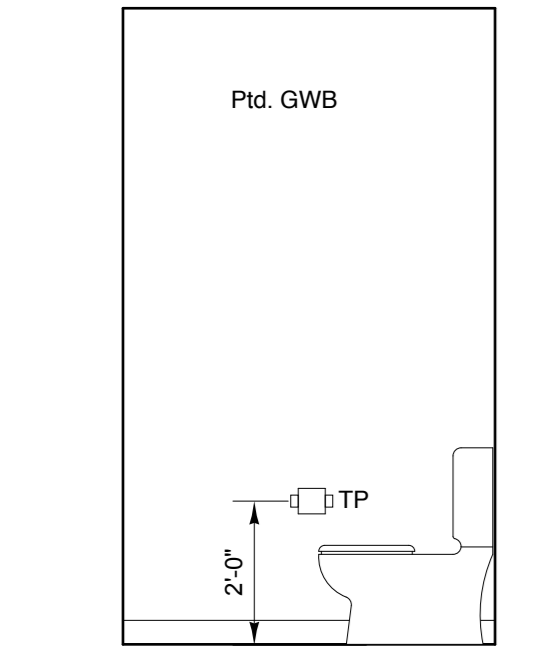


21

POWDER ROOM H

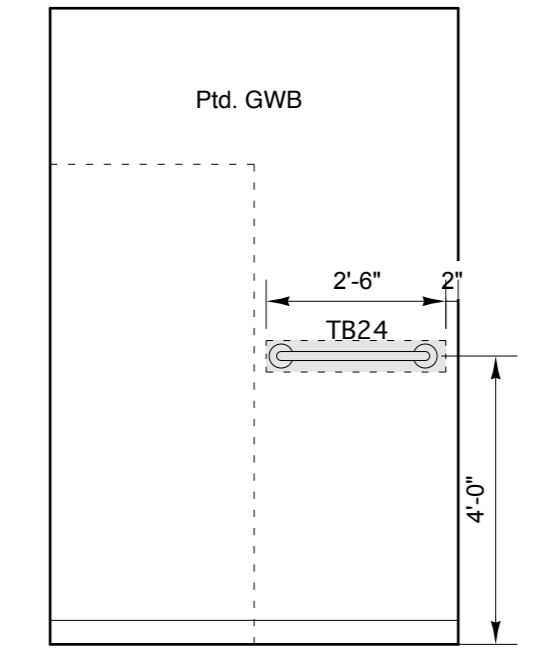


22

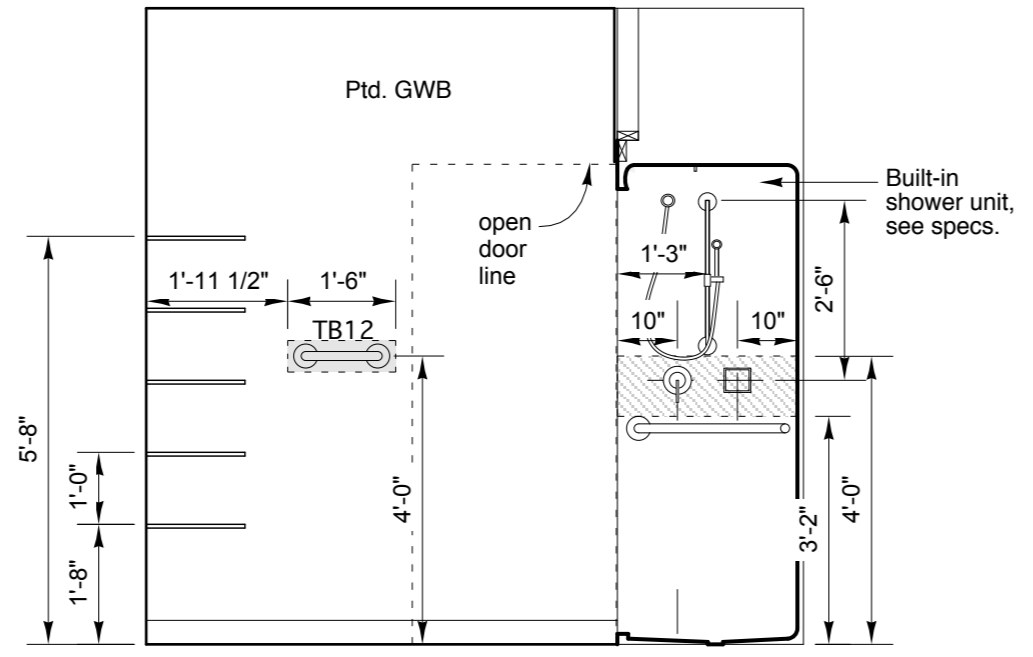


23

POWDER ROOM H

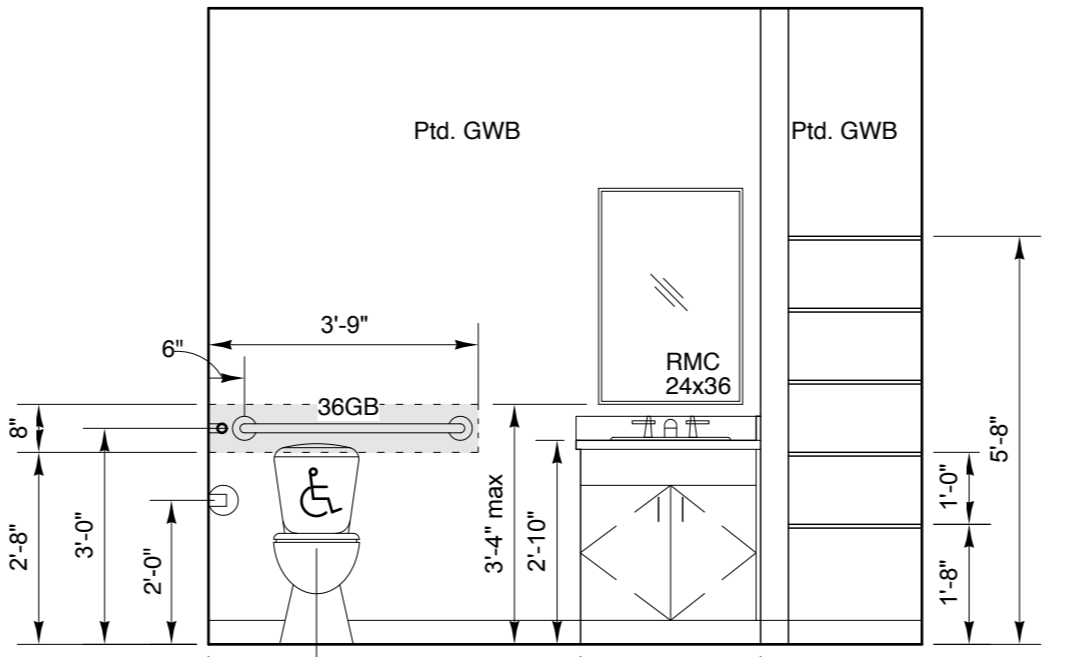


24

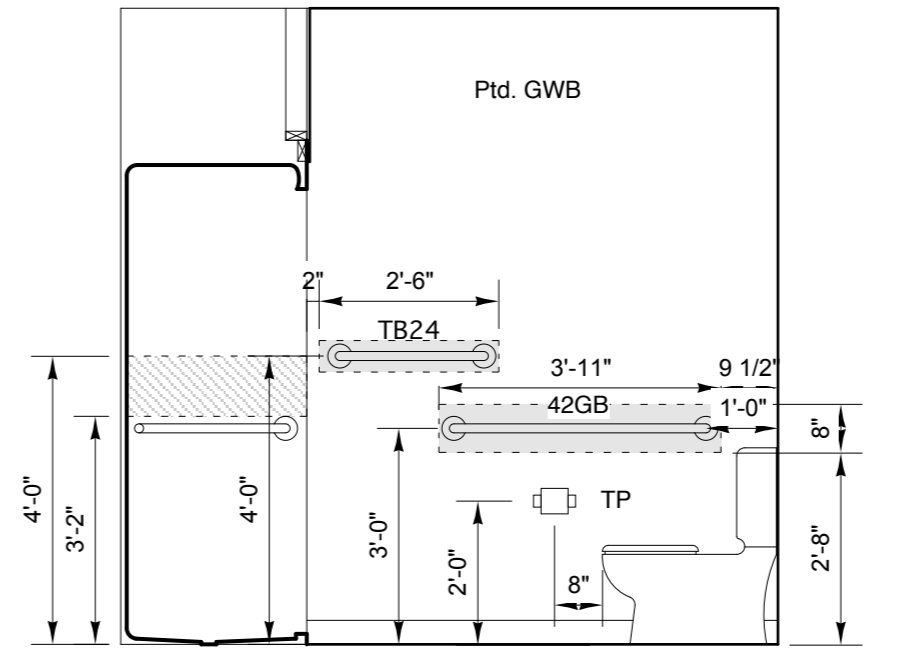


25

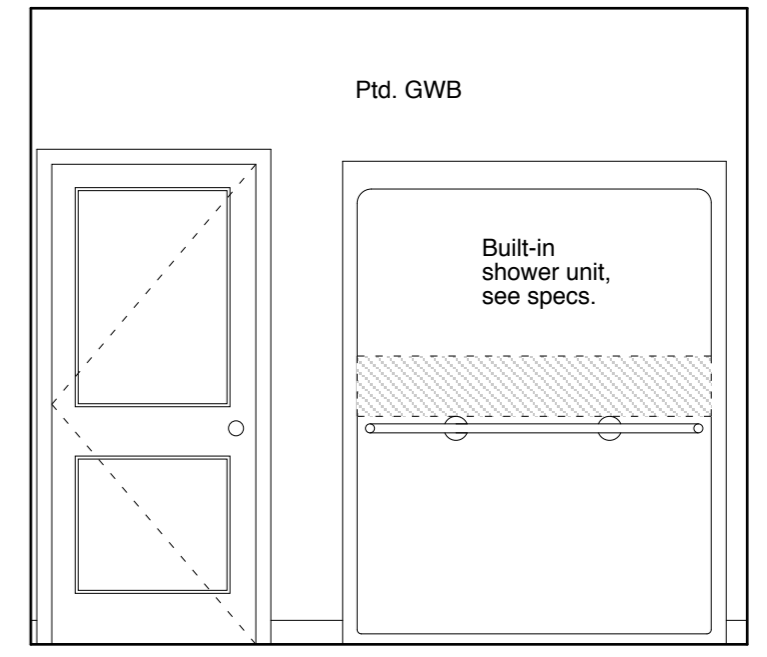
BATHROOM TYPE "D"
Accessible Type "A"



26



27



28

Pearl Place Building 1 & 2 Portland Maine

Developer
Avesta Pearl
Street One, L.P.

Architect
Winton Scott Architects

Landscape Architect
Carroll Associates

Civil
Gorrill Palmer
Consulting Engineers

Structural
Becker Structural

Mechanical / Plumbing
Mechanical Systems
Engineers

Electrical
Bartlett Designs

BUILDING 1&2
Bathrooms
Plans & Elevations

A 7.2

Scale: 3/8" = 1'-0"

September 1, 2006