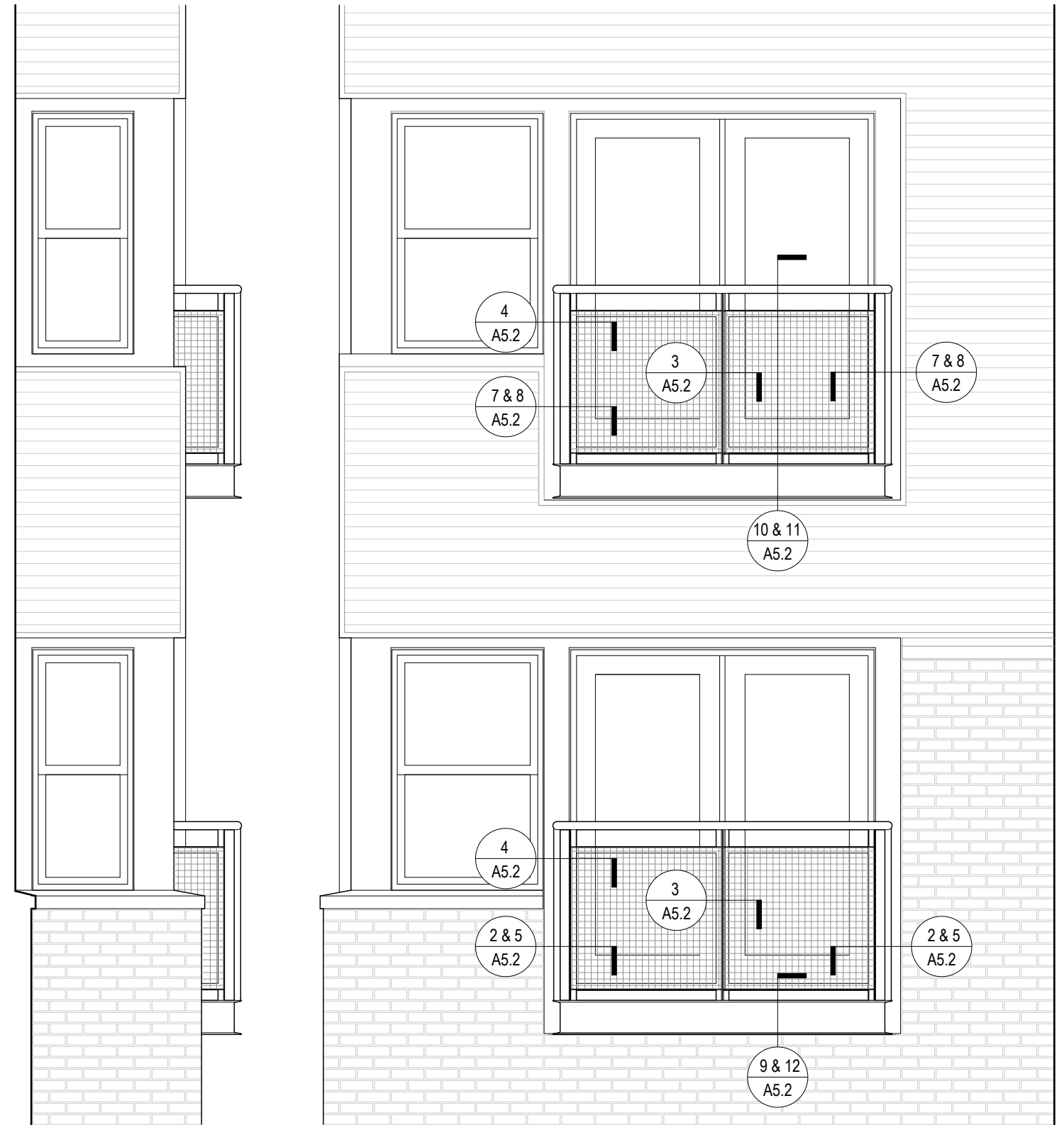
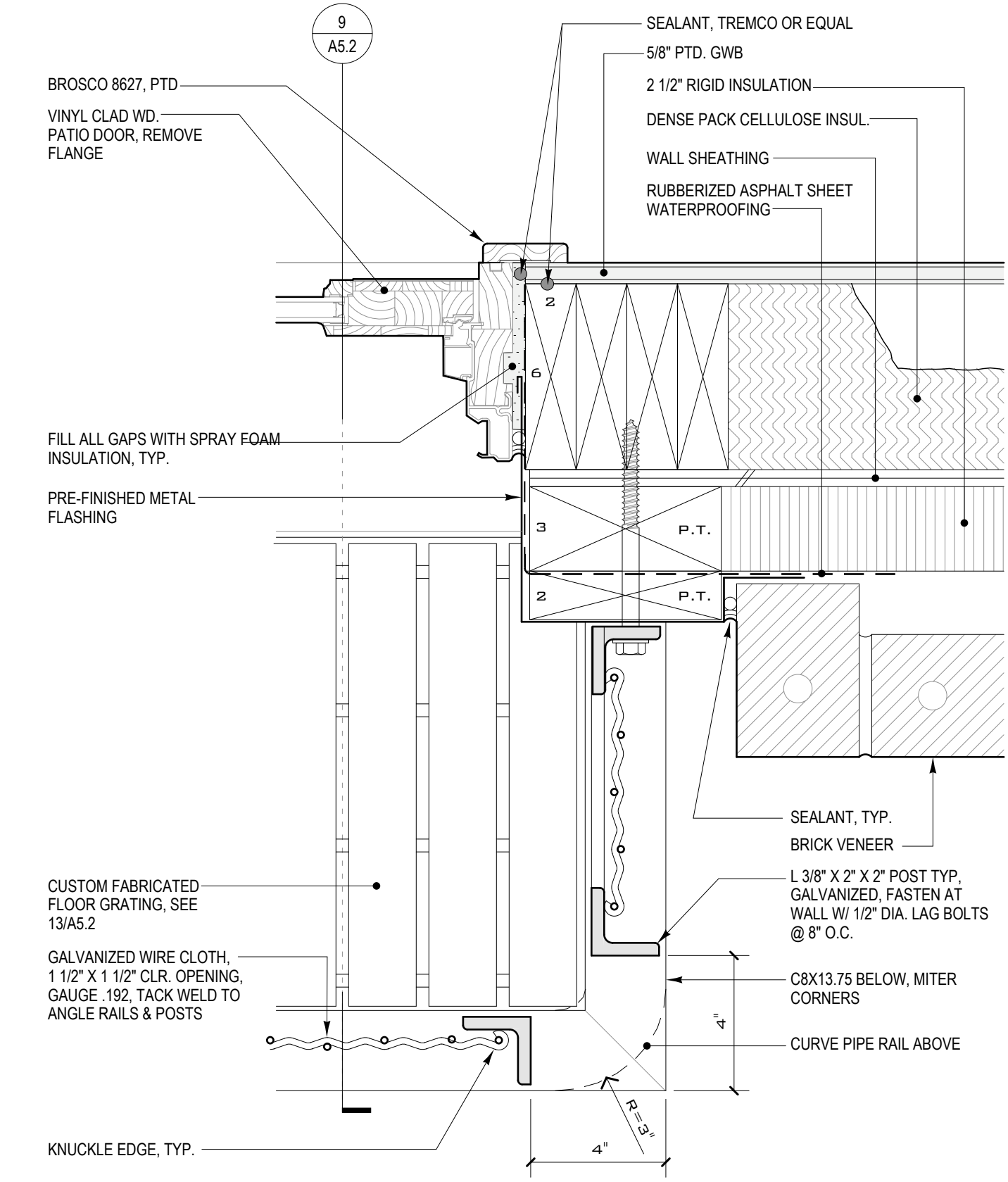


GENERAL NOTES

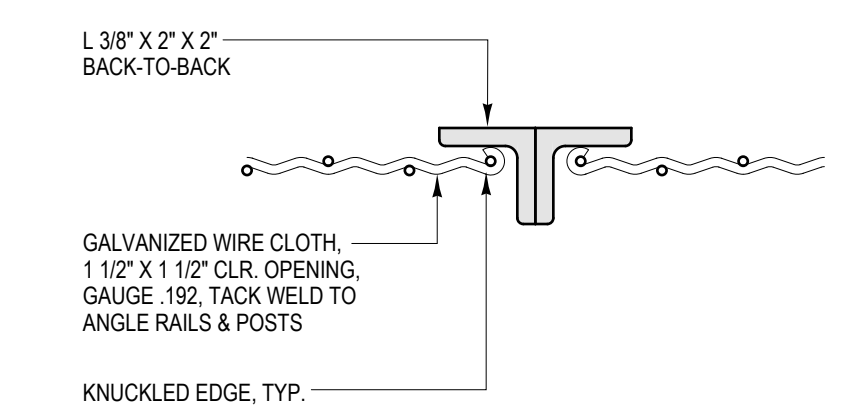
- Shop paint all exposed steel. Color to be chosen by Architect.
- Contractor responsible for providing, coordinating installation, and coordinating orientation of all metal Z-furring, U-furring and custom fabricated metal shapes as required for installation of rigid insulation and metal siding system at exterior walls of Building 1 based on the type of siding used and all other factors. All exterior metal siding and associated flashing to be securely anchored to metal furring channels or P.T. blocking typical.



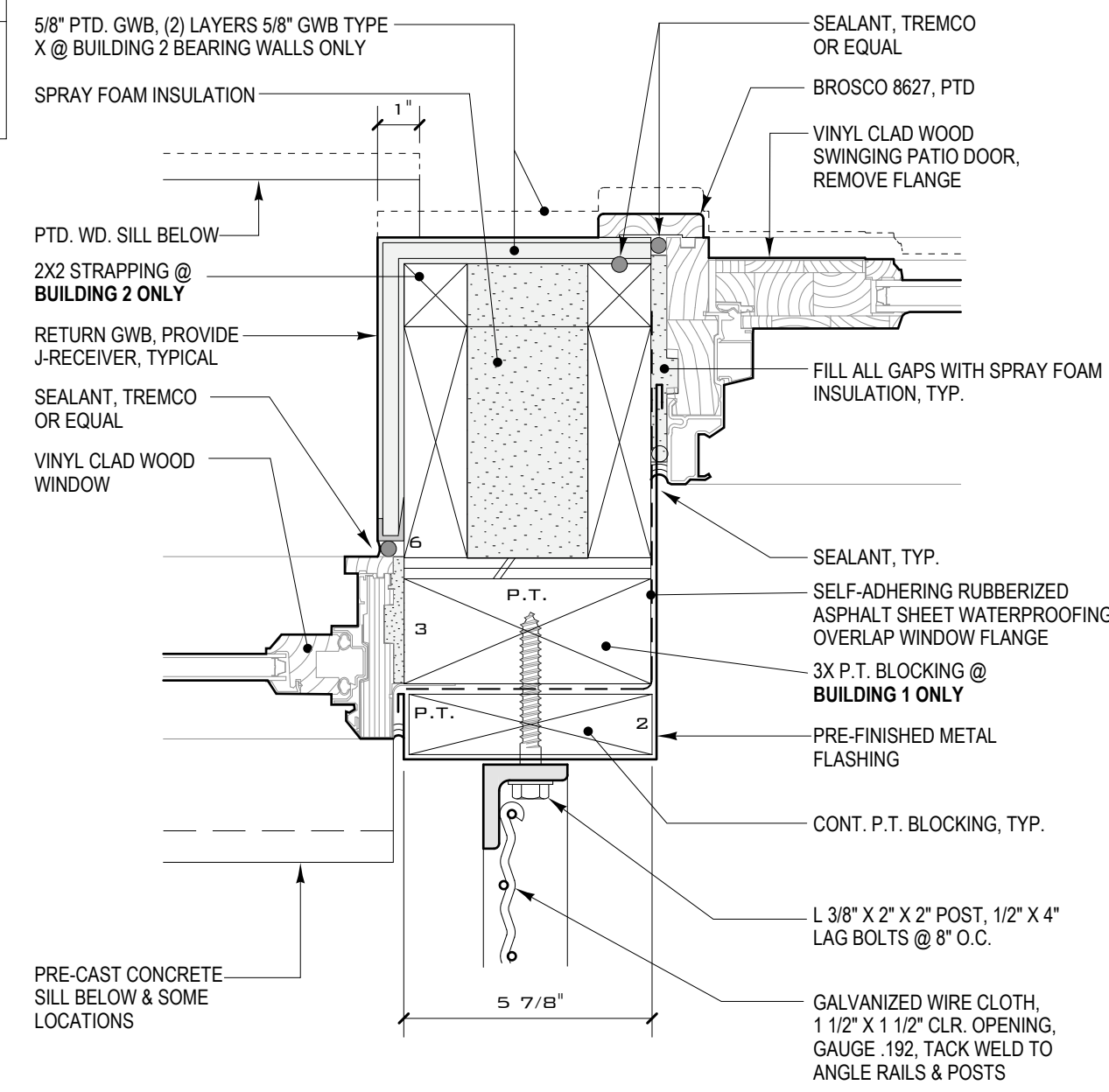
1 FRENCH BALCONY ELEVATION
3/8" = 1'-0"



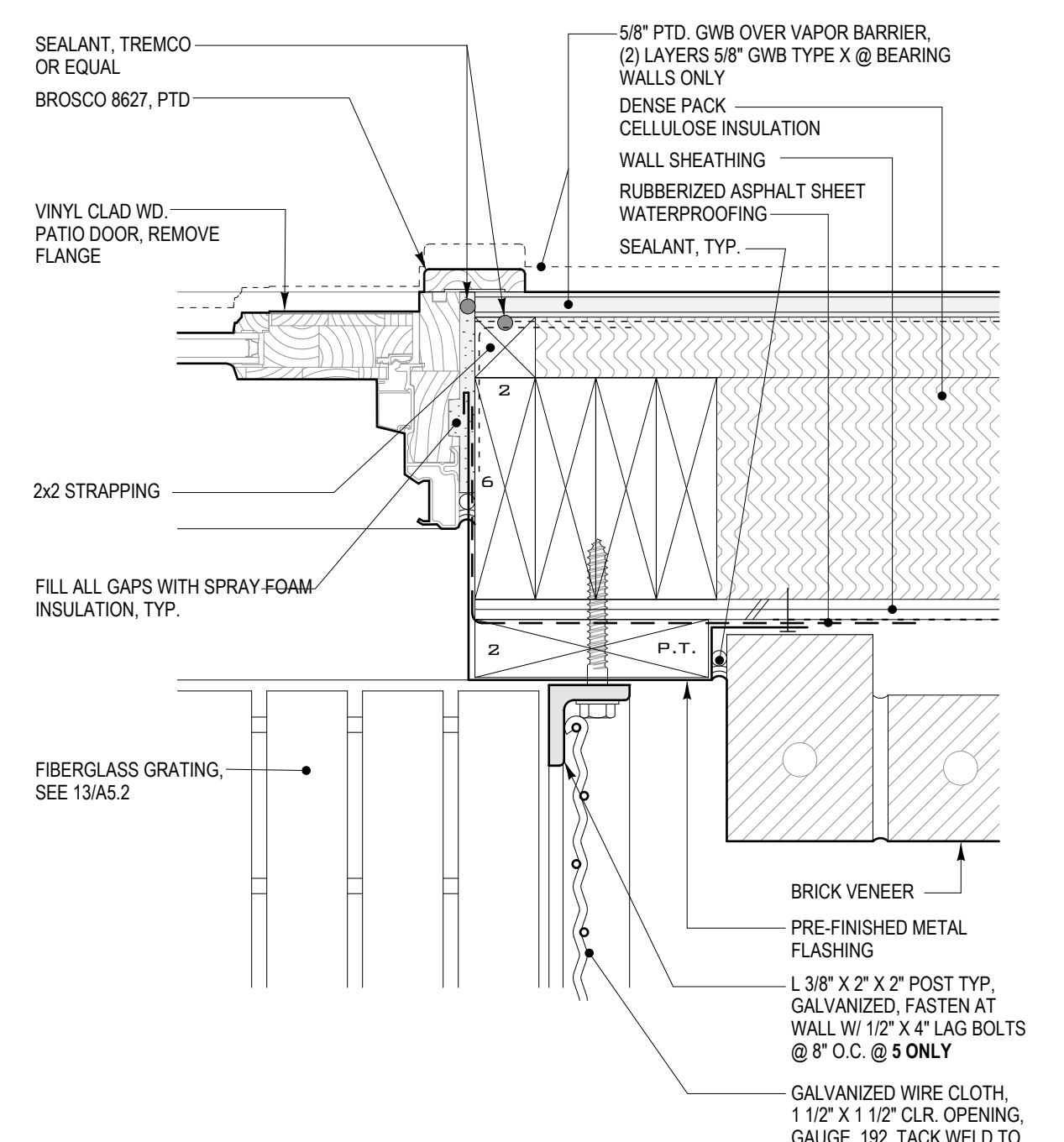
2 BALCONY JAMB DETAIL @ BRICK
BUILDING 1
3" = 1'-0"



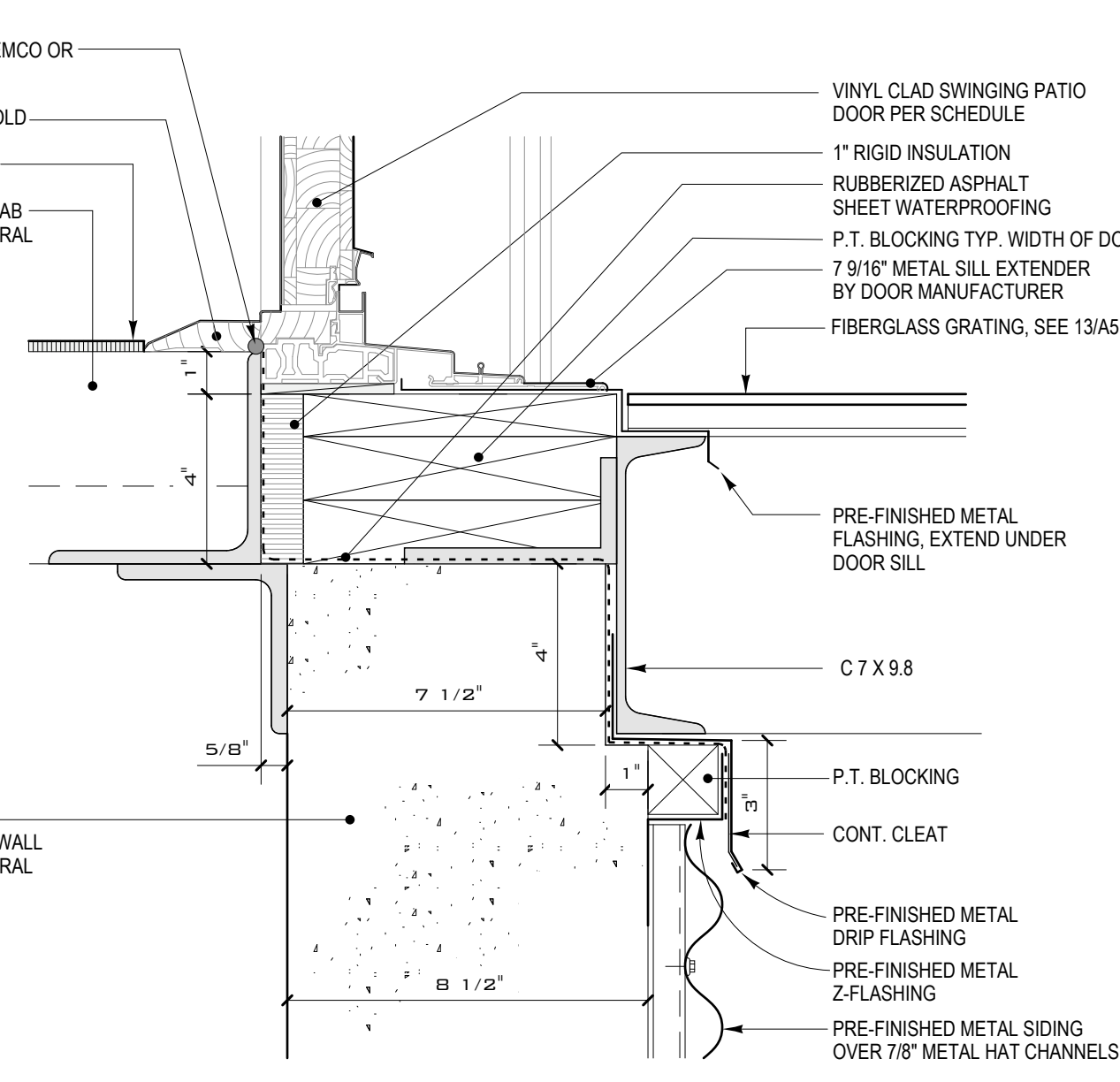
3 TYPICAL INTERMEDIATE POSTS
3" = 1'-0"



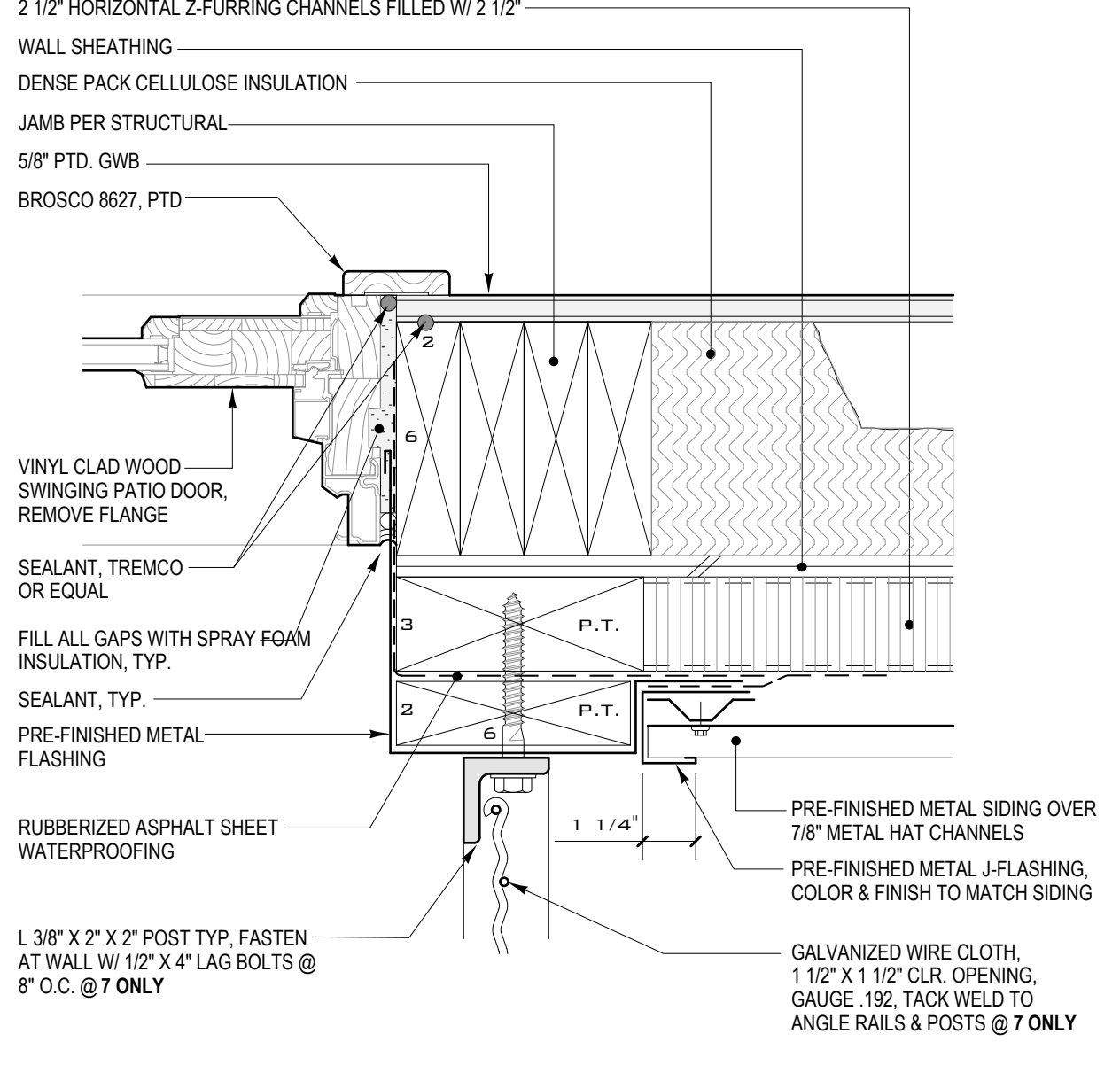
4 FRENCH BALCONY JAMB DETAIL
BUILDINGS 1 & 2
3" = 1'-0"



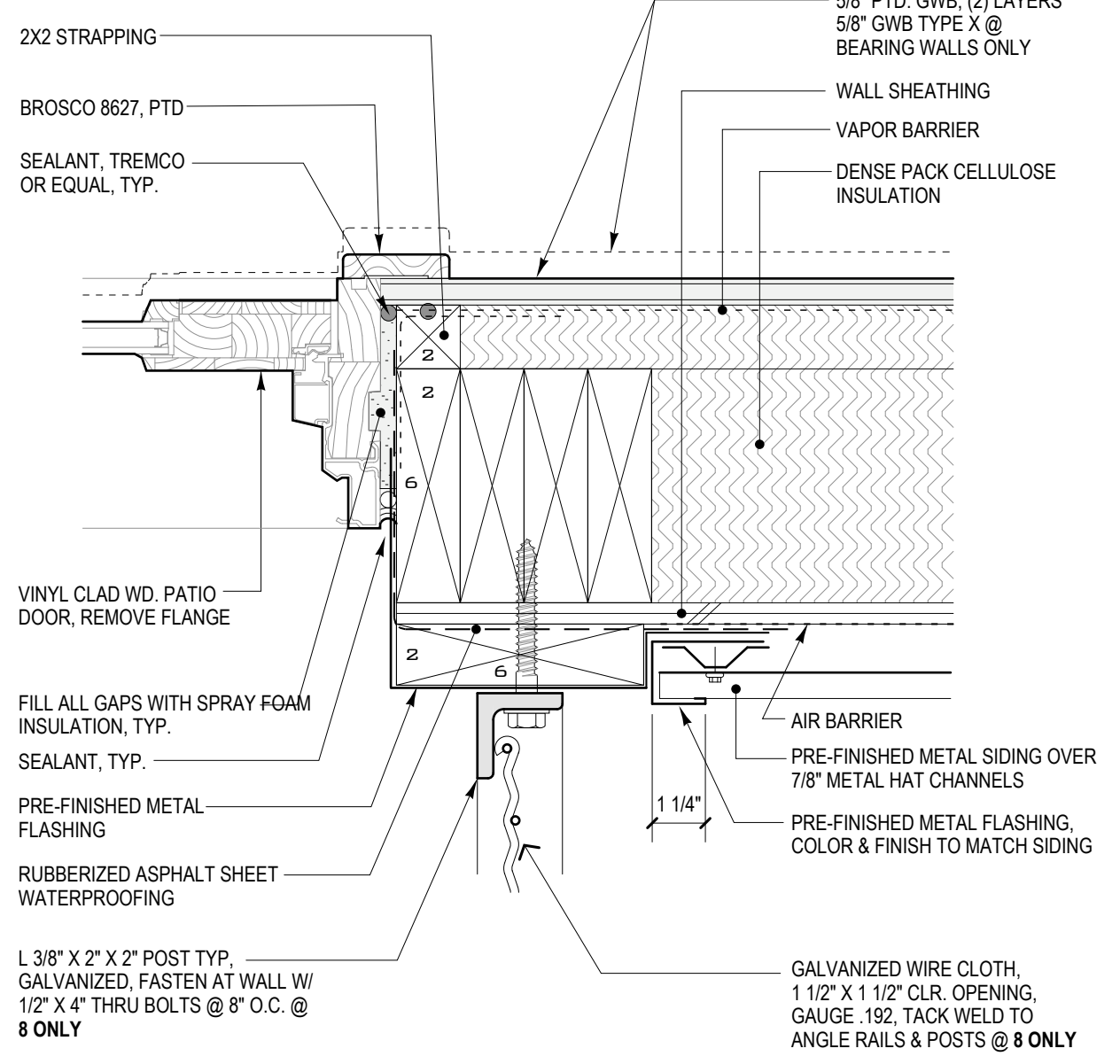
5 5.1 BALCONY JAMB DETAIL @ BRICK
BUILDING 2
3" = 1'-0"



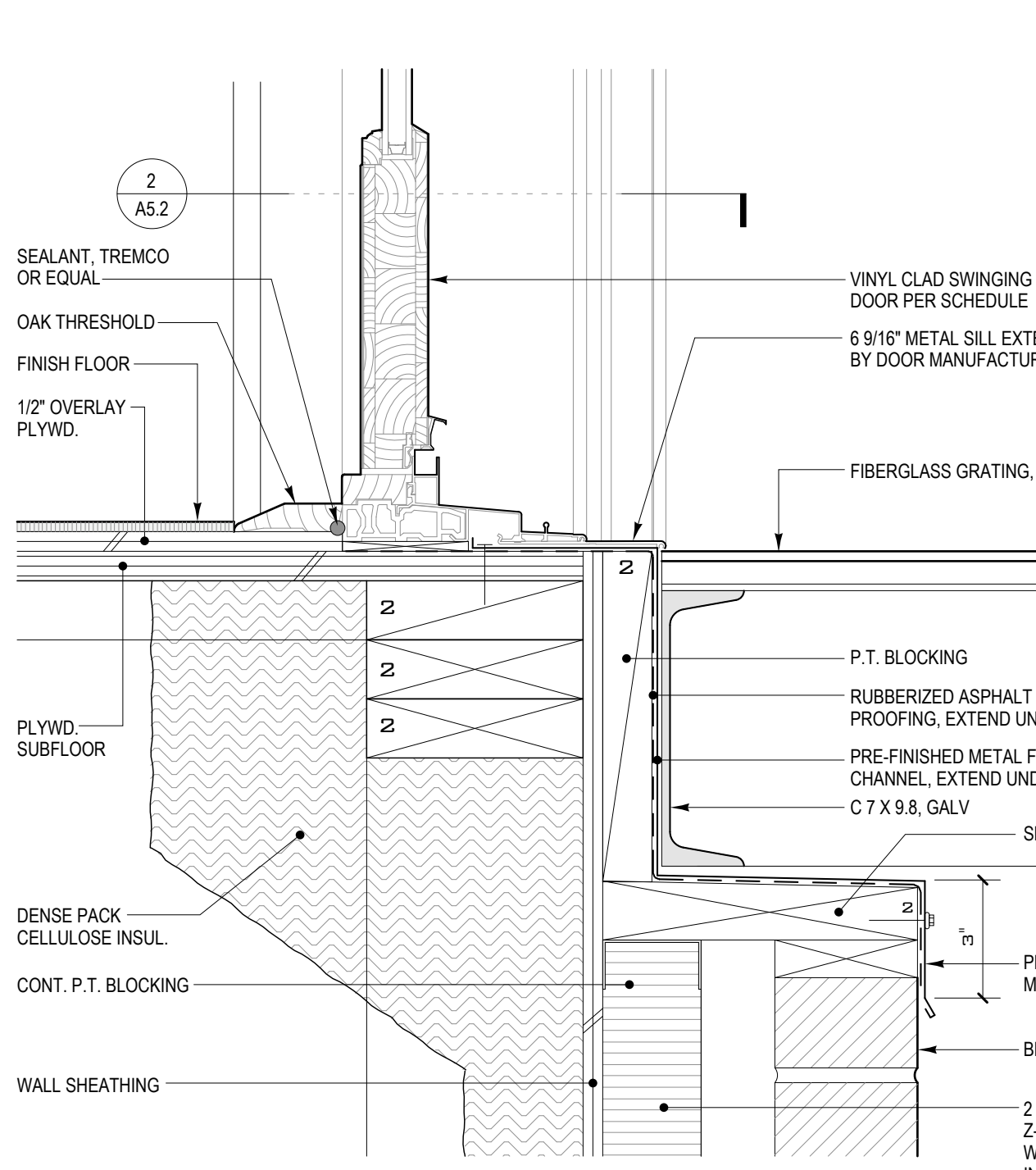
6 FRENCH BALCONY SILL DETAIL
3" = 1'-0"



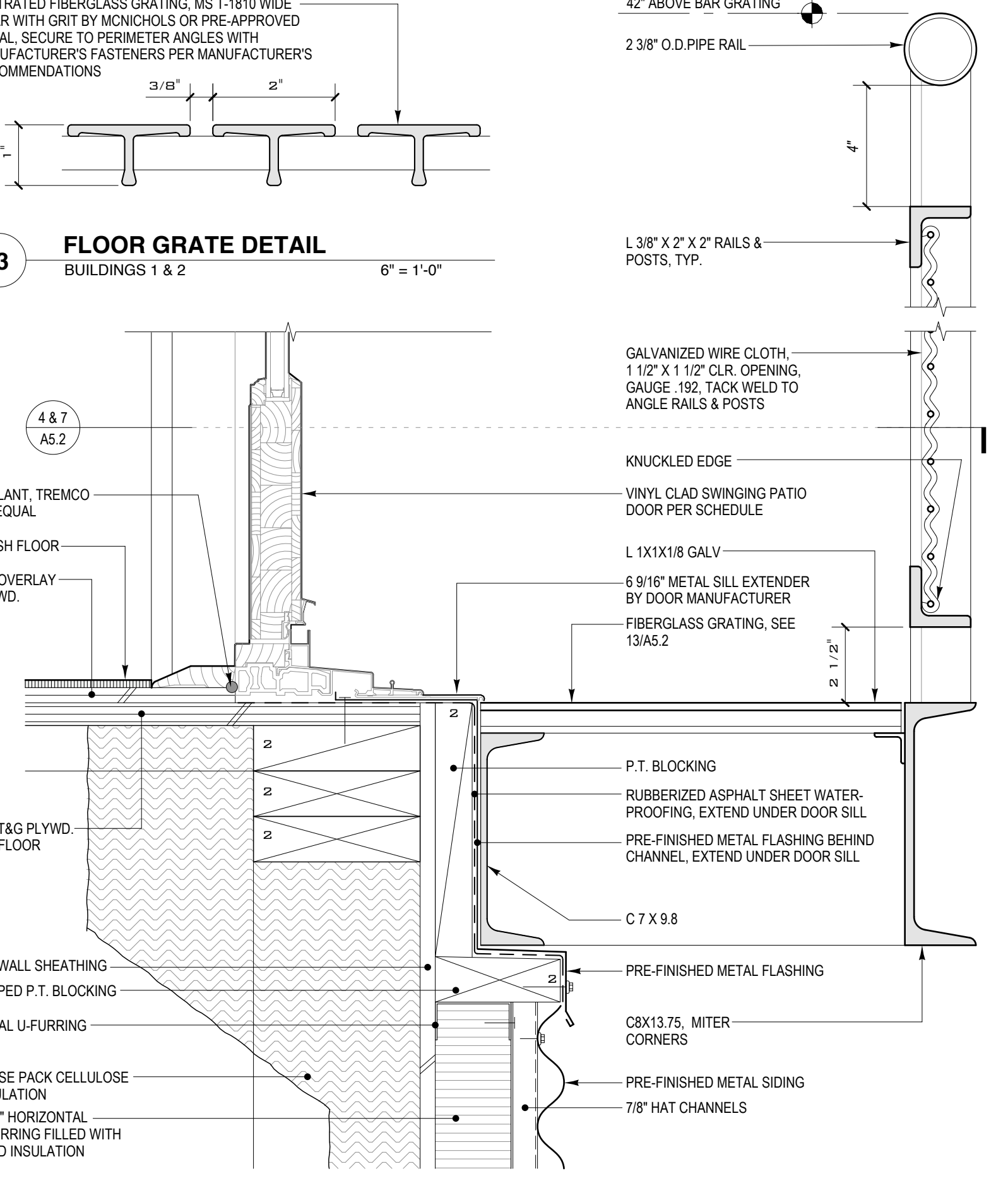
7 7.1 JAMB DETAIL @ METAL SIDING
BUILDING 1
3" = 1'-0"



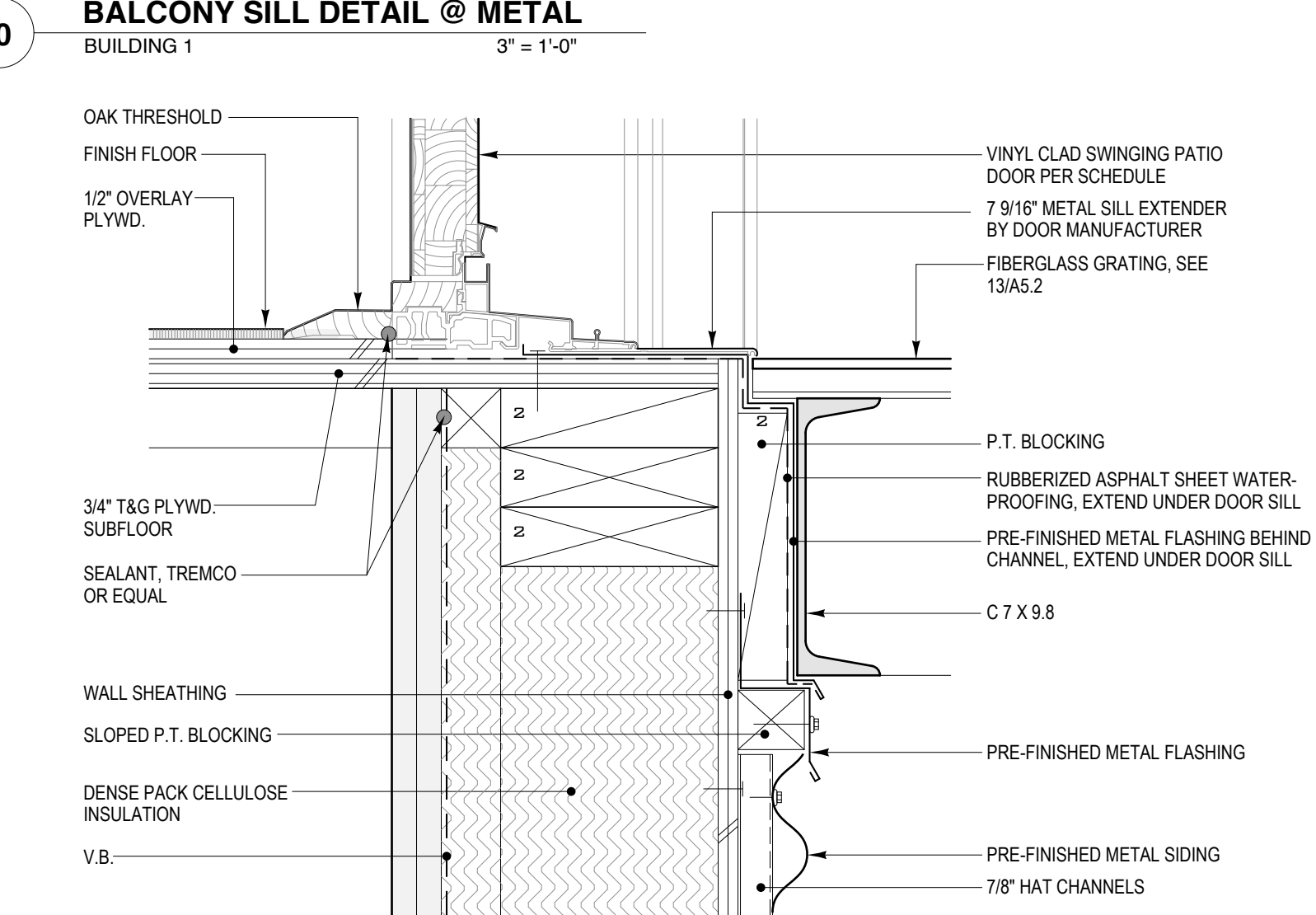
8 8.1 JAMB DETAIL @ METAL SIDING
BUILDING 2
3" = 1'-0"



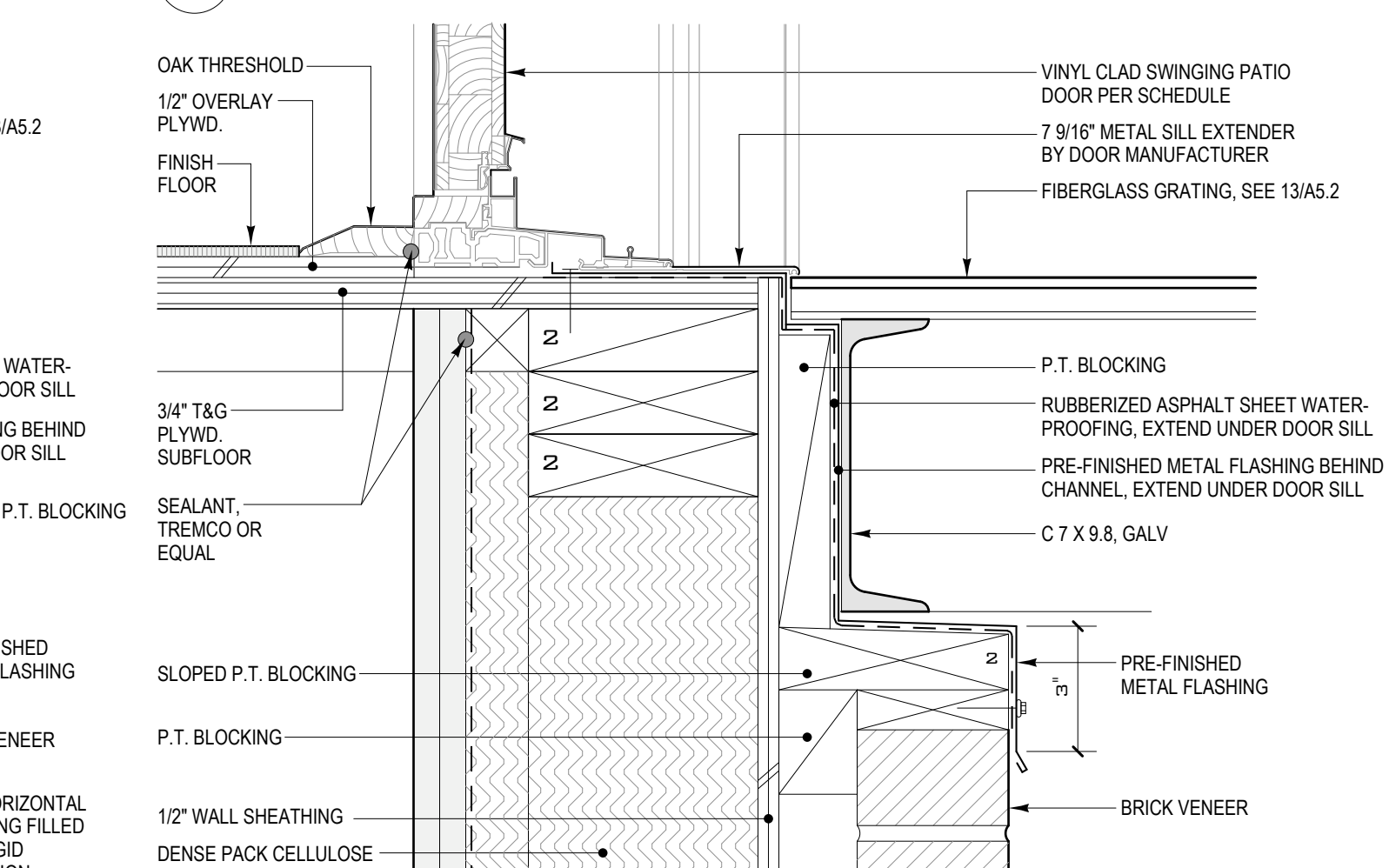
9 BALCONY SILL DETAIL @ BRICK
BUILDING 1
3" = 1'-0"



13 FLOOR GRATE DETAIL
BUILDINGS 1 & 2
6" = 1'-0"

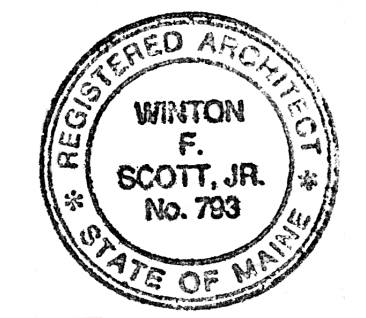


10 BALCONY SILL DETAIL @ METAL
BUILDING 1
3" = 1'-0"



11 BALCONY SILL DETAIL @ METAL
BUILDING 2
3" = 1'-0"

12 BALCONY SILL DETAIL @ BRICK
BUILDING 2
3" = 1'-0"



**Pearl Place
Building 1 & 2**
Portland Maine

Developer
**Avesta Pearl
Street One, L.P.**

Architect
Winton Scott Architects

Landscape Architect
Carroll Associates

EXTERIOR DETAILS

A5.2

Scale: AS SHOWN