

Pearl Place Building 1 & 2 Portland Maine

Developer
**Avesta Pearl
Street One, L.P.**

Architect
Winton Scott Architects

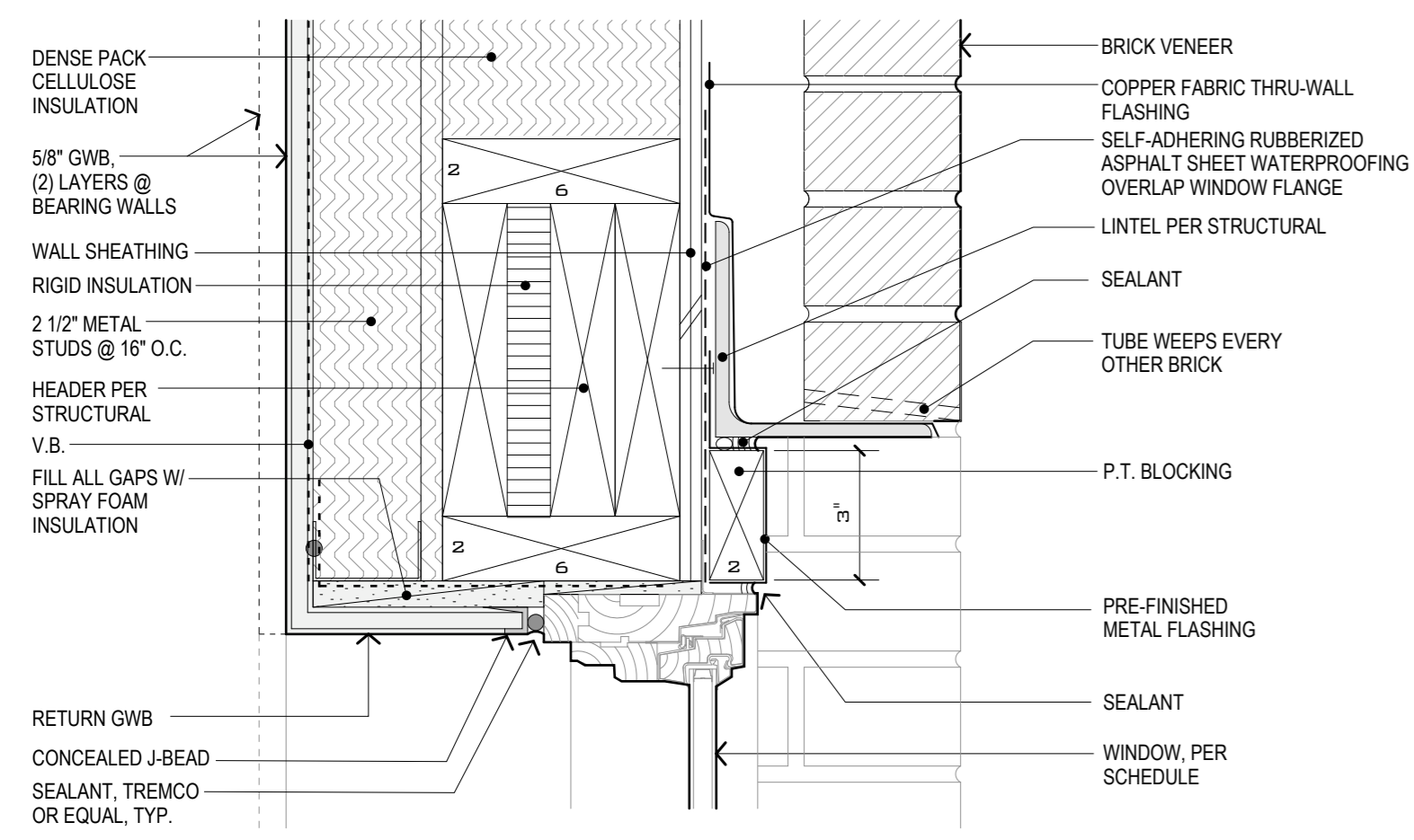
Landscape Architect
Carroll Associates

WINDOW DETAILS

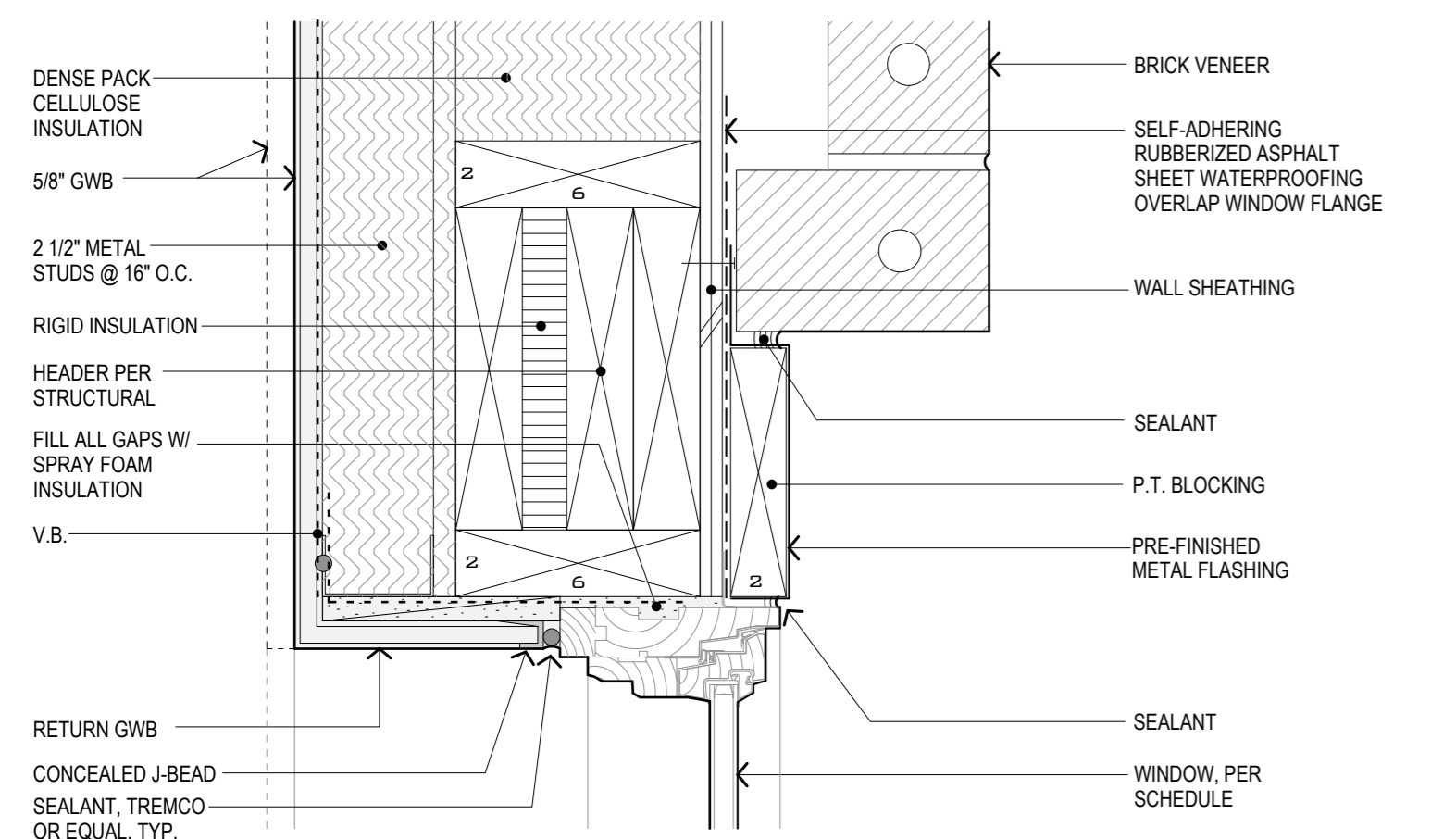
A10.4

Scale: AS SHOWN

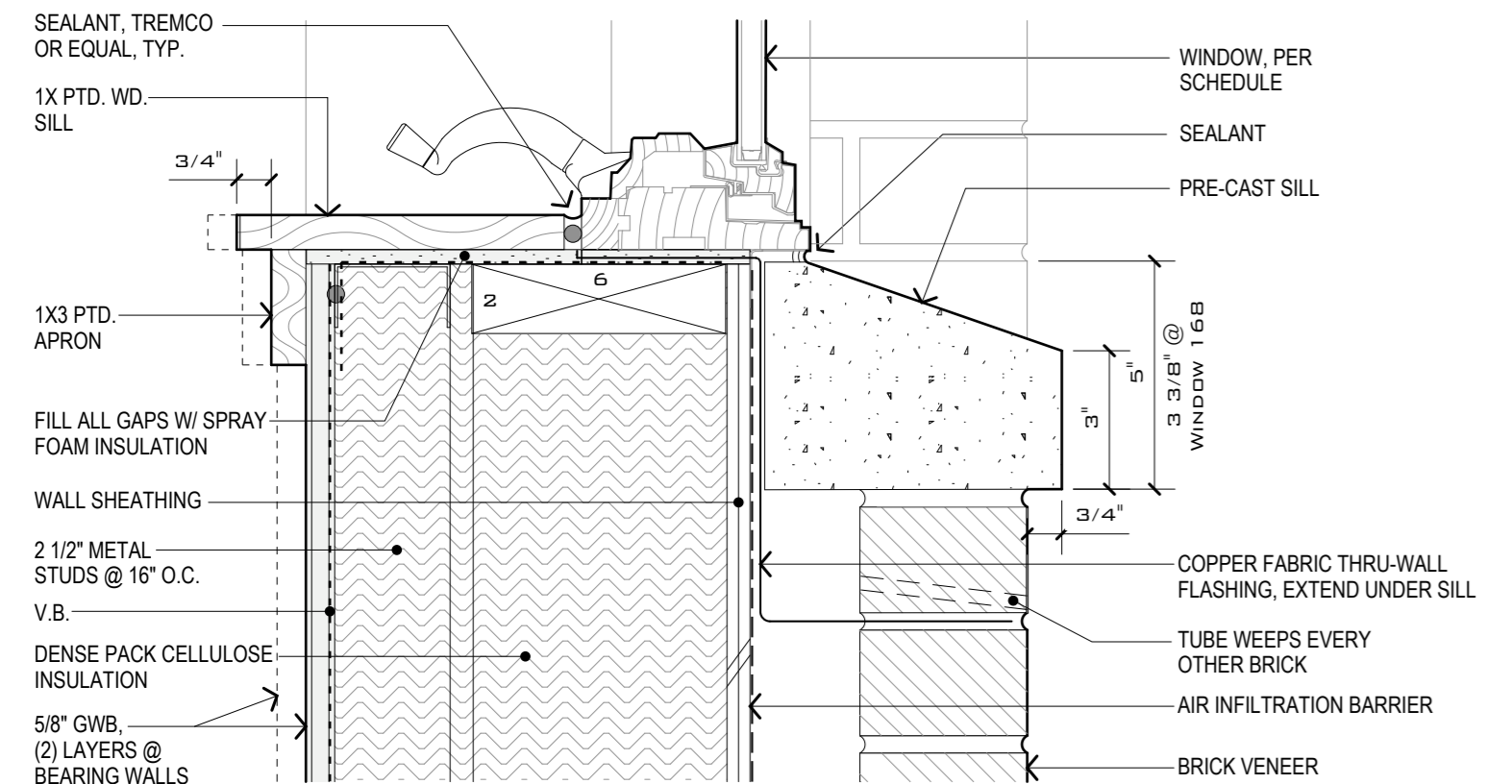
SEPTEMBER 1, 2006



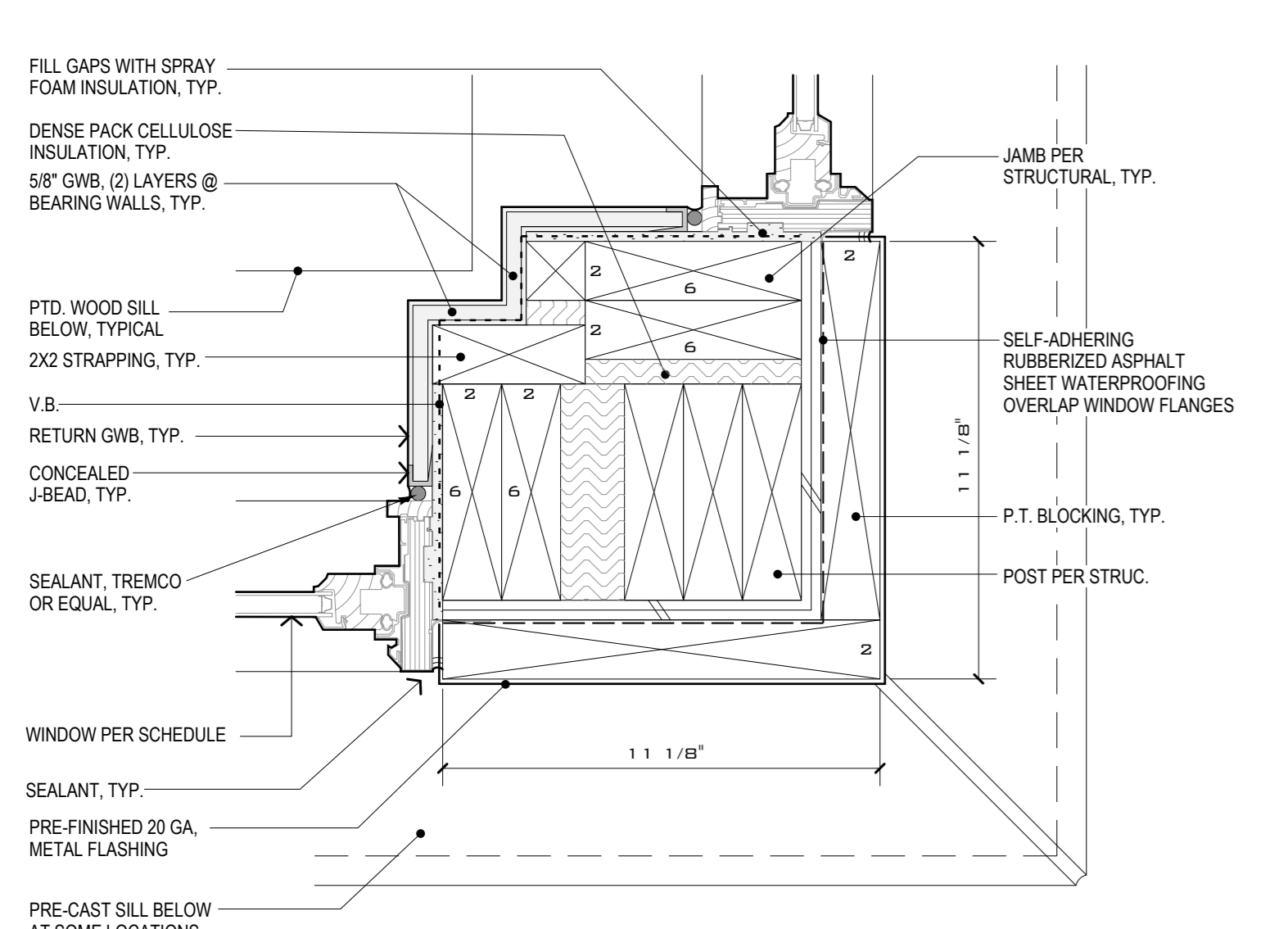
H10 HEAD DETAIL
BUILDING 2 3" = 1'-0"



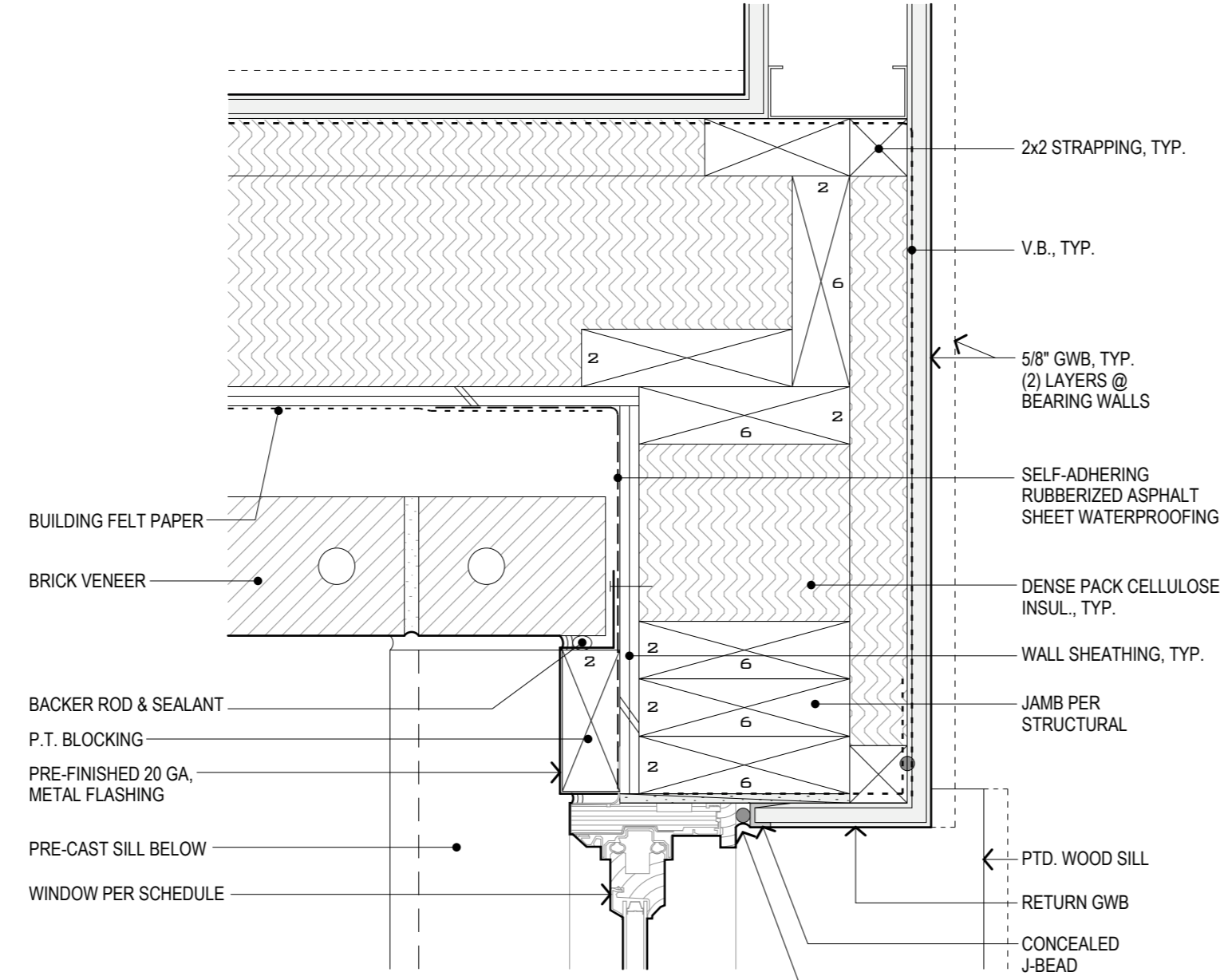
J11 JAMB DETAIL
BUILDING 2 3" = 1'-0"



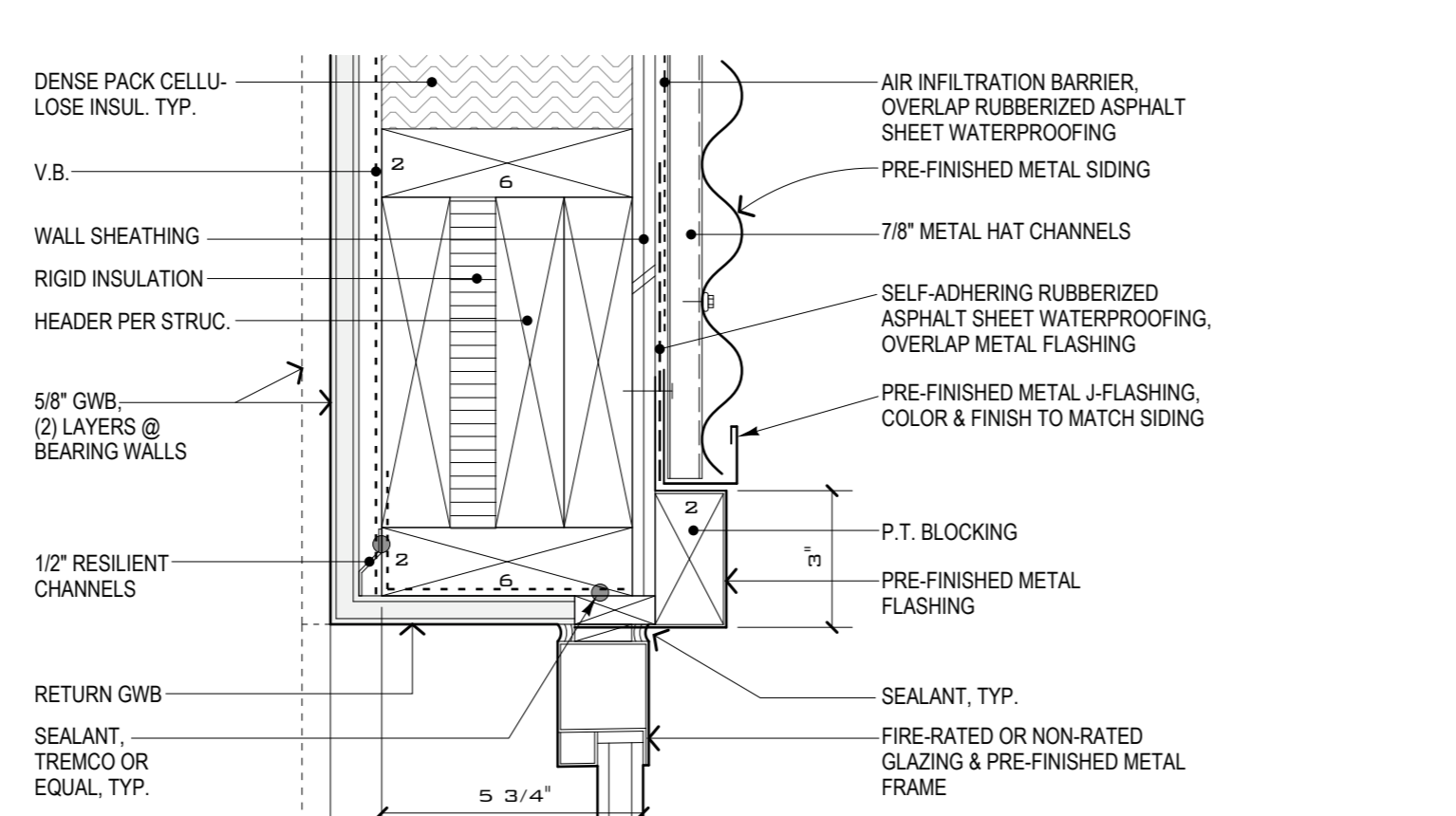
S6 SILL DETAIL
BUILDING 2 3" = 1'-0"



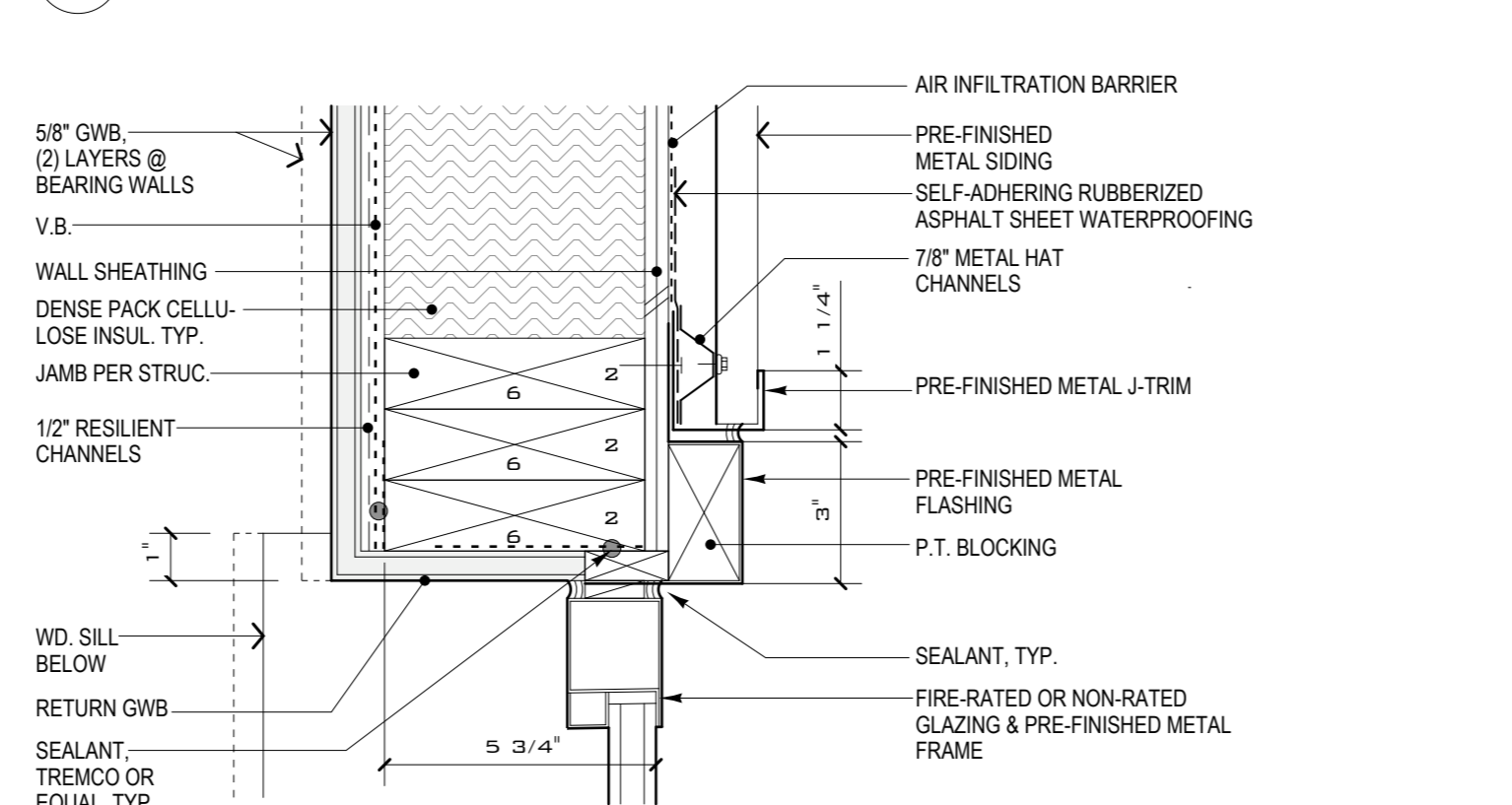
J12 TYPICAL CORNER JAMB DETAIL
BUILDING 2 3" = 1'-0"



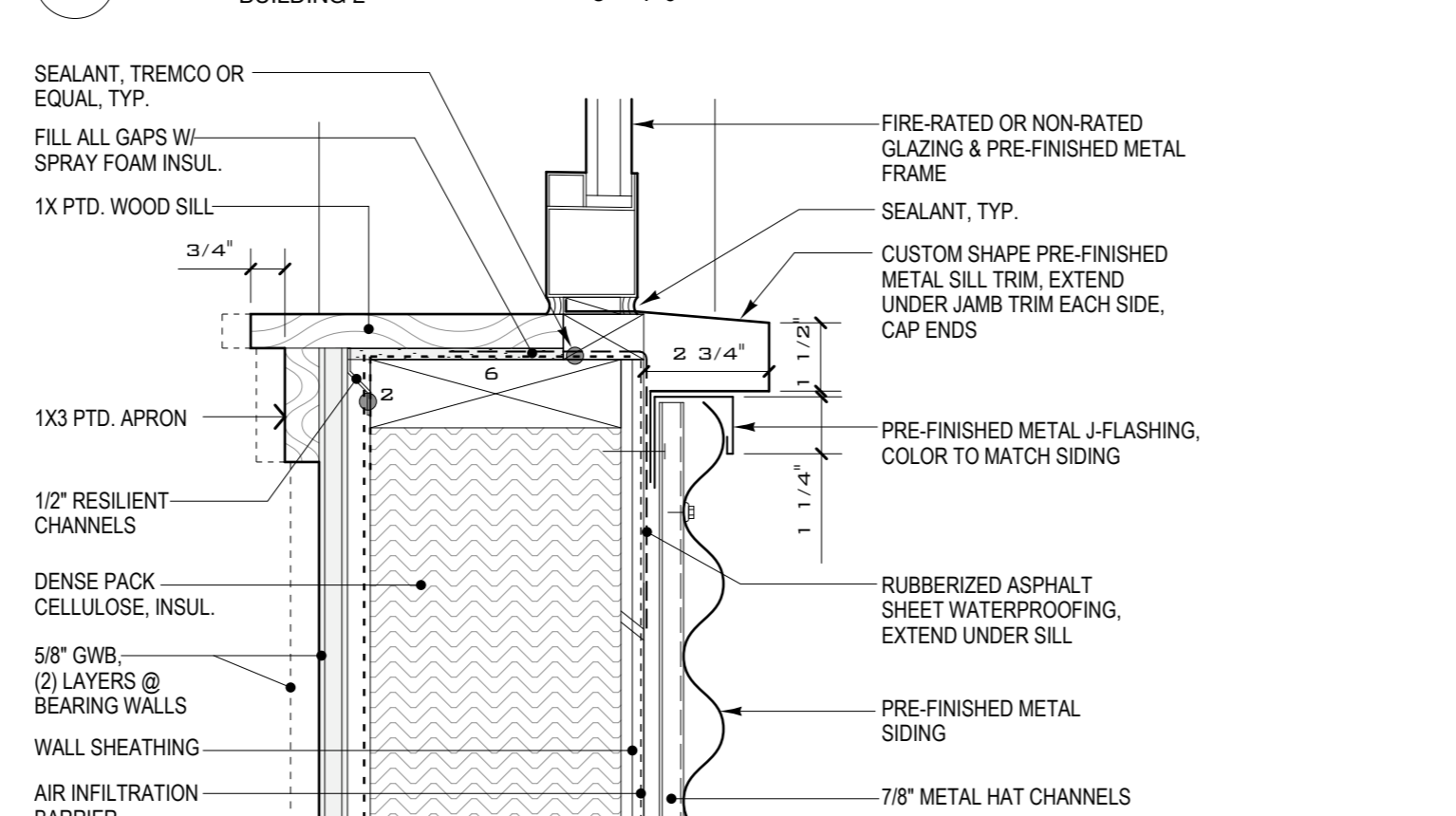
J13 JAMB DETAIL
BUILDING 2 3" = 1'-0"



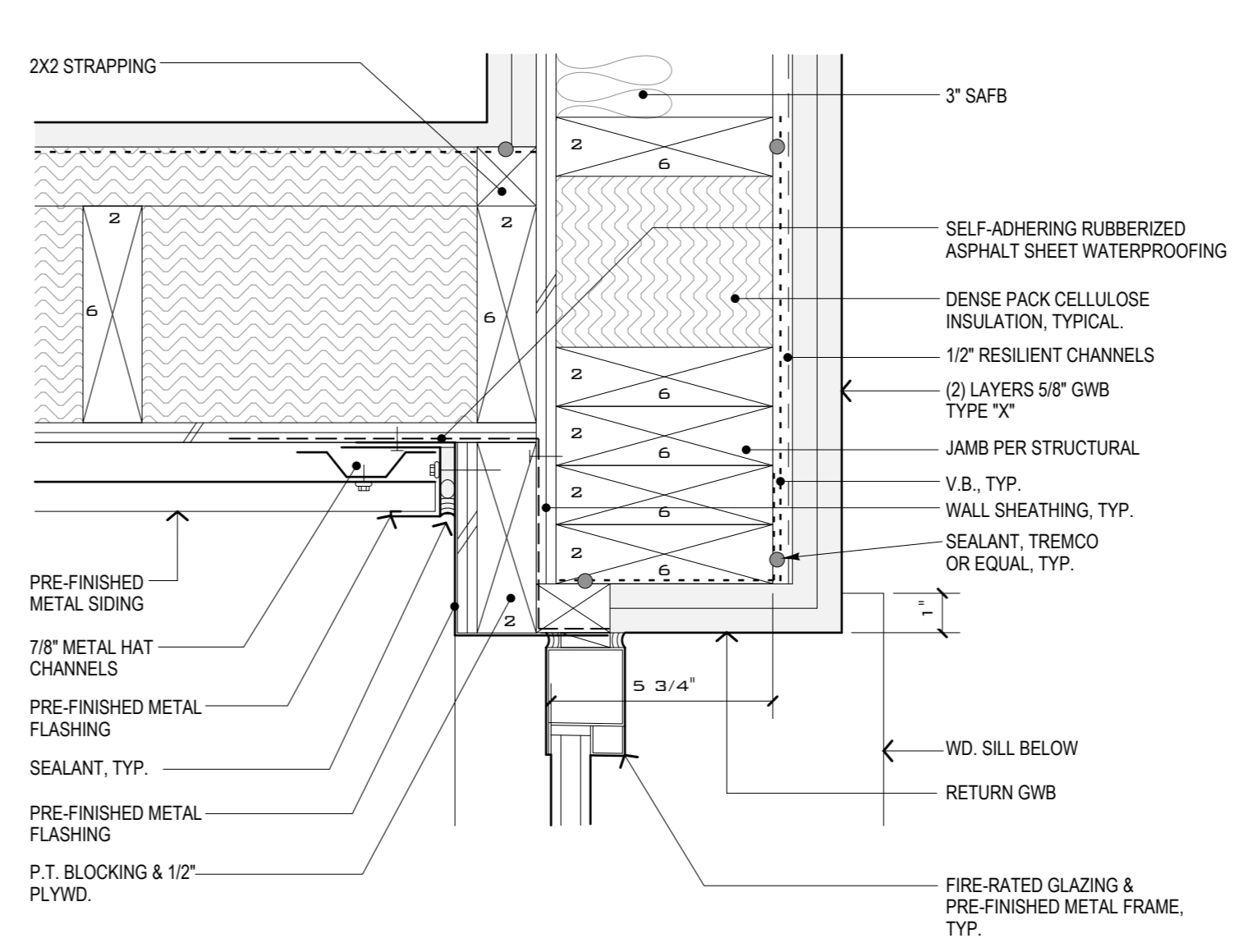
H11 HEAD DETAIL
BUILDING 2 3" = 1'-0"



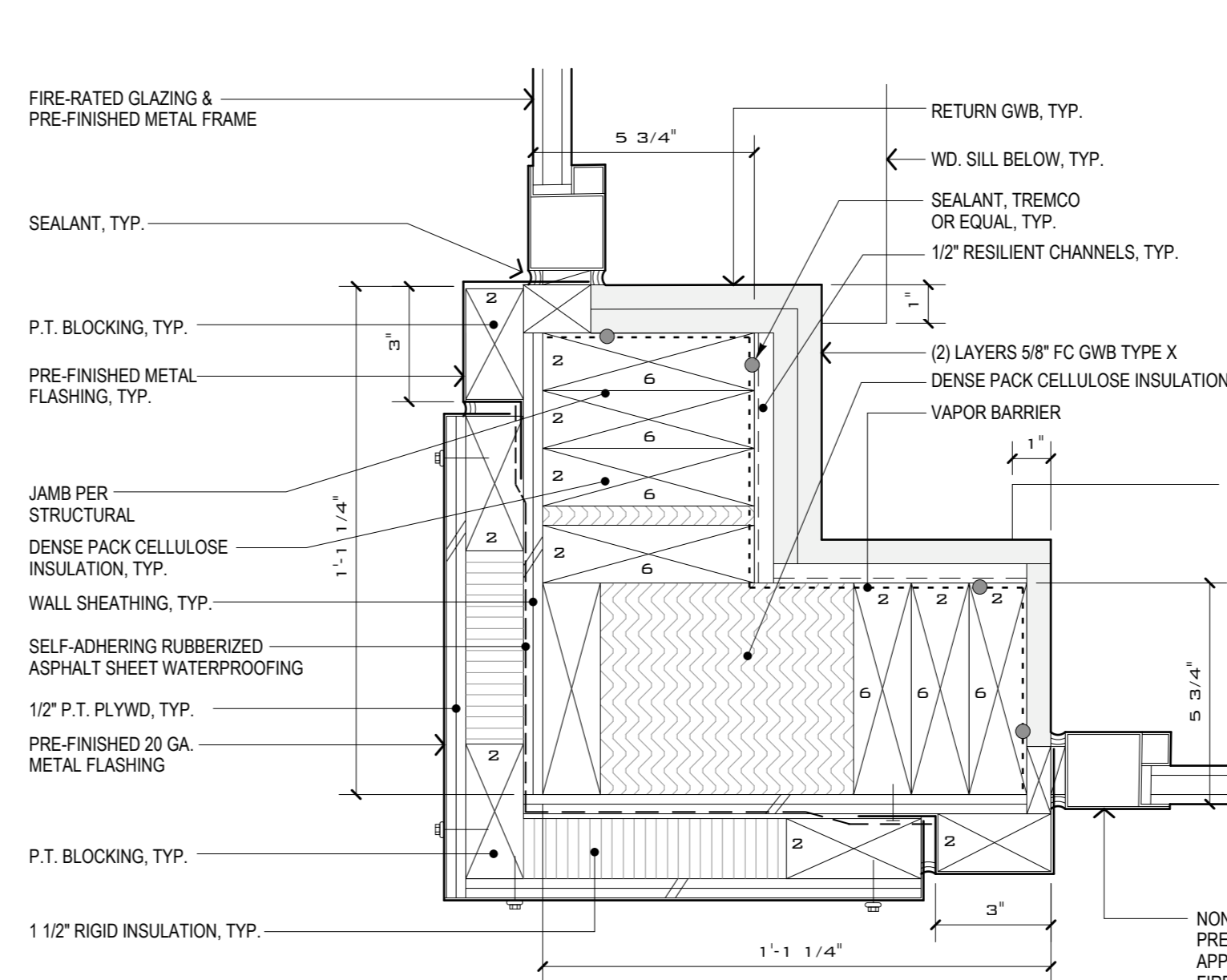
J14 JAMB DETAIL
BUILDING 2 3" = 1'-0"



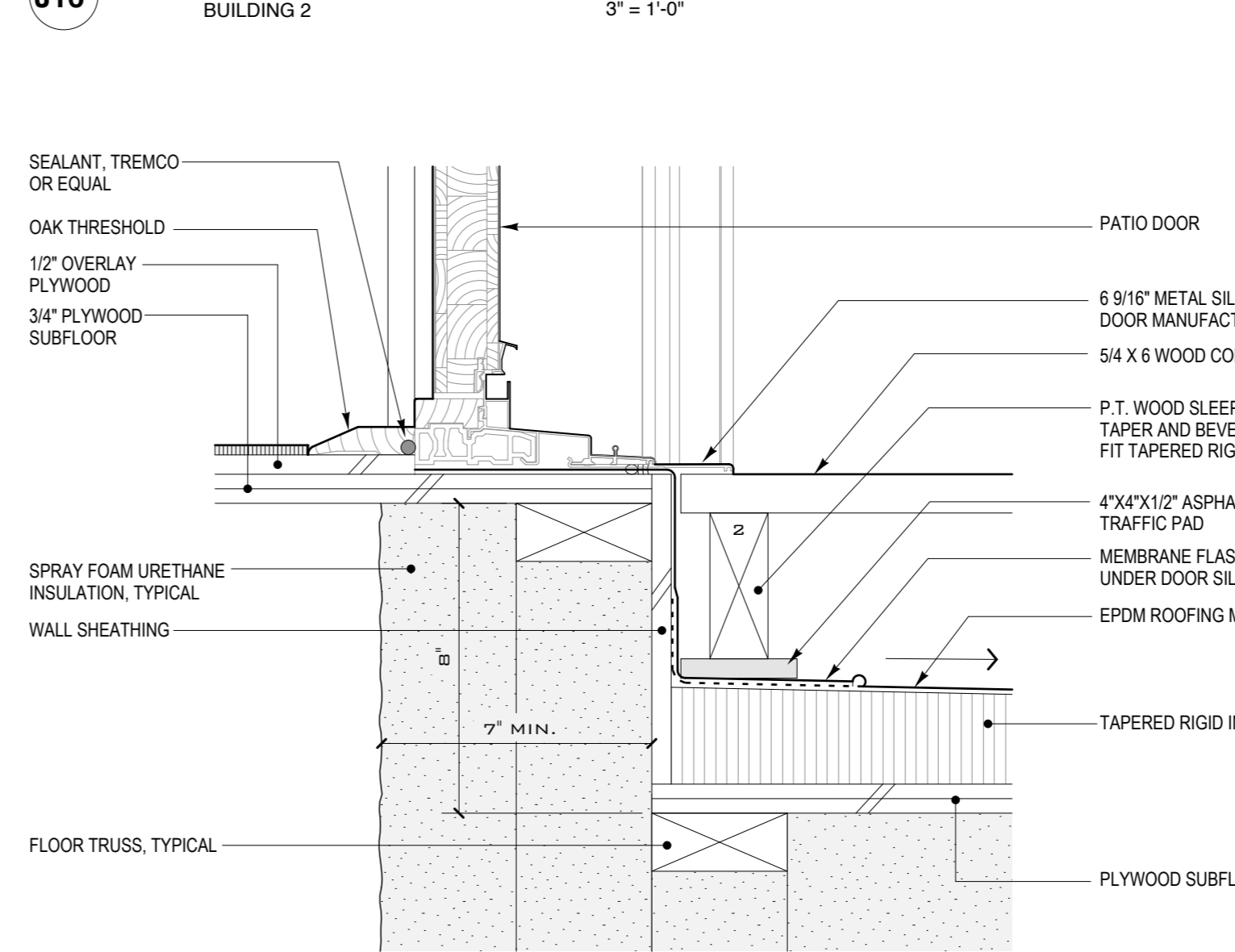
S7 SILL DETAIL
BUILDING 2 3" = 1'-0"



J15 JAMB @ STAIR TOWER
BUILDING 2 3" = 1'-0"



J16 JAMB @ STAIR TOWER CORNER
BUILDING 2 3" = 1'-0"



T2 THRESHOLD @ ROOF DECK
BUILDING 2 3" = 1'-0"