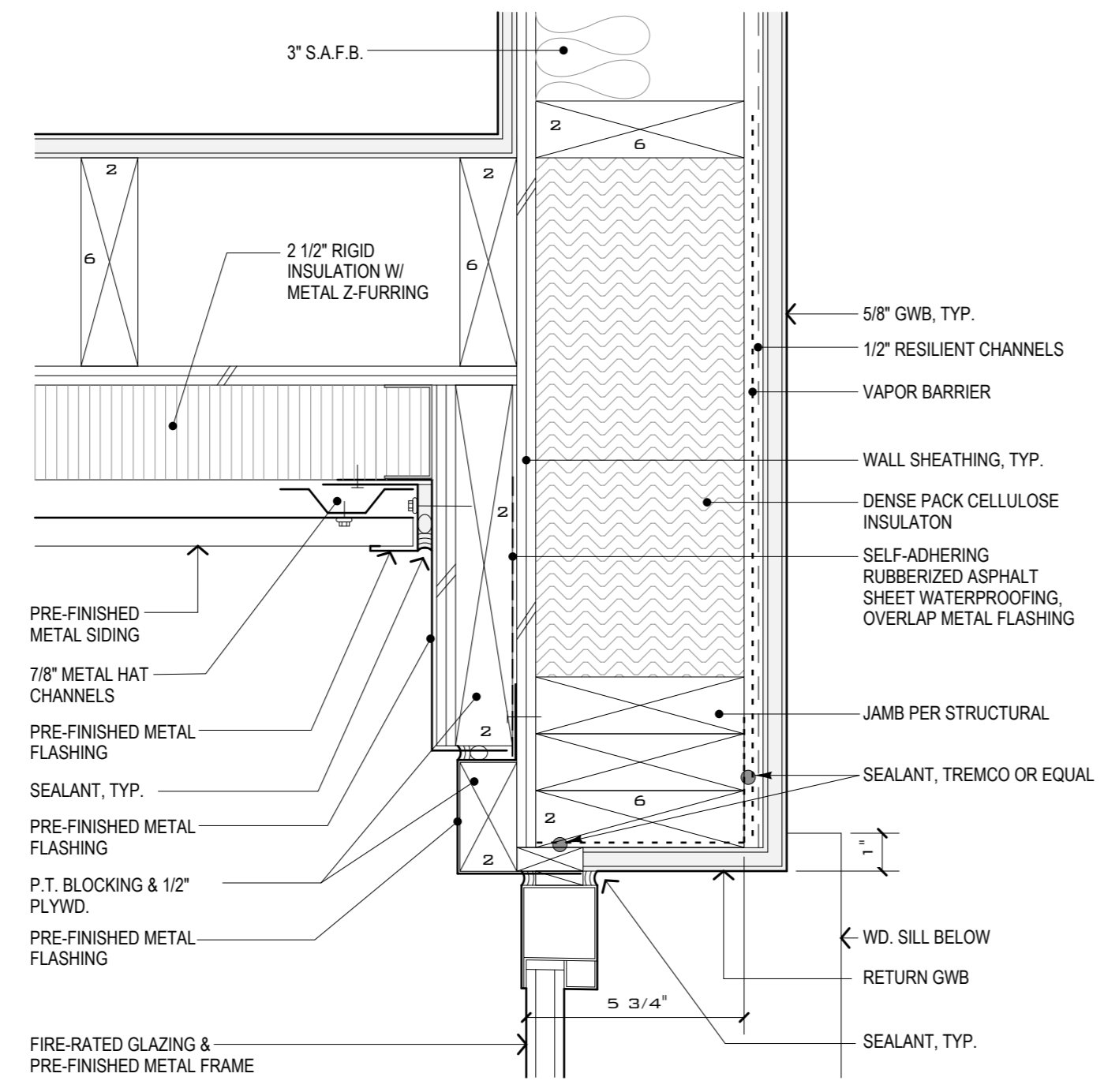
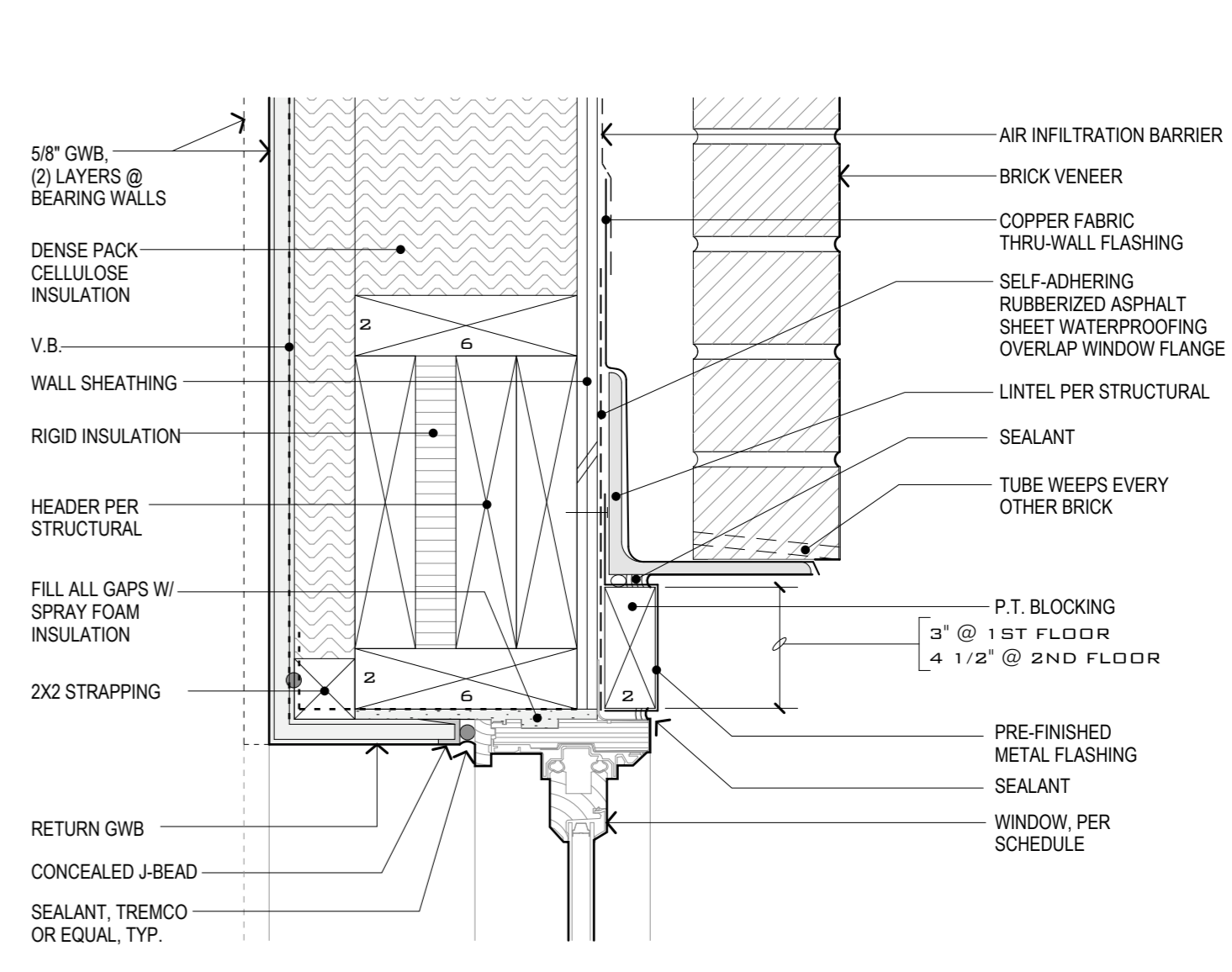


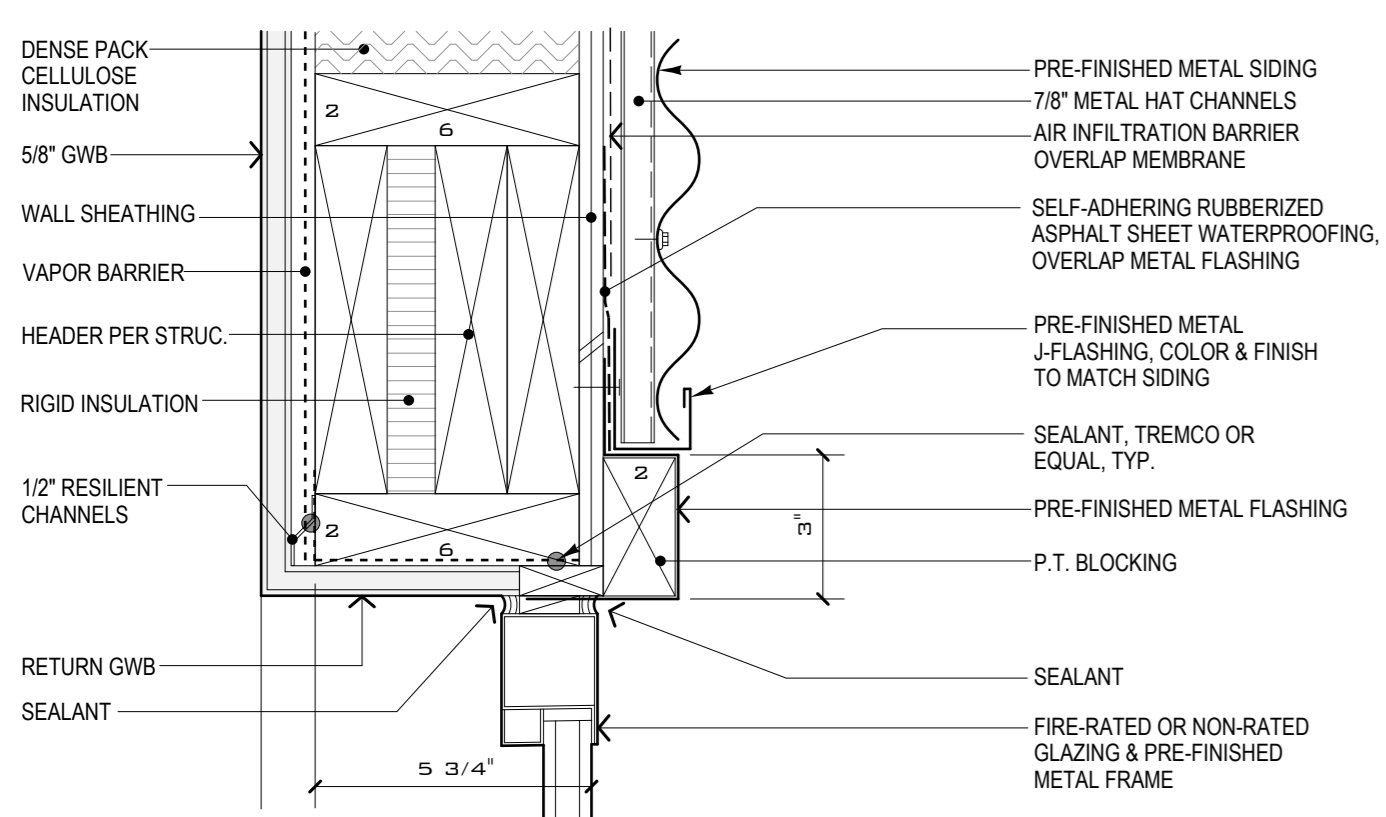
H4 PATIO DOOR HEAD @ METAL
BUILDING 1 3" = 1'-0"



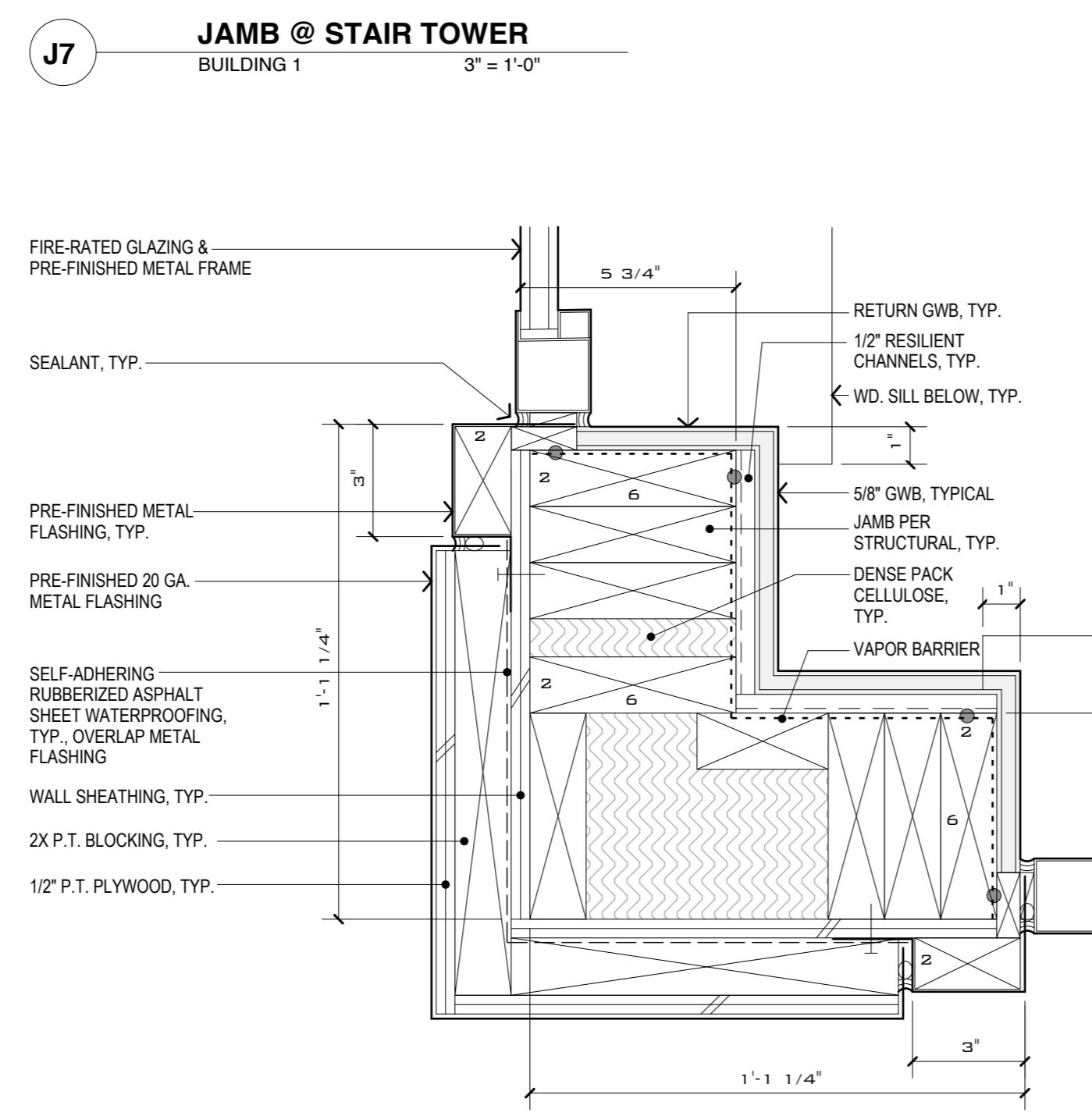
H6 HEAD DETAIL AT METAL
BUILDING 2 3" = 1'-0"



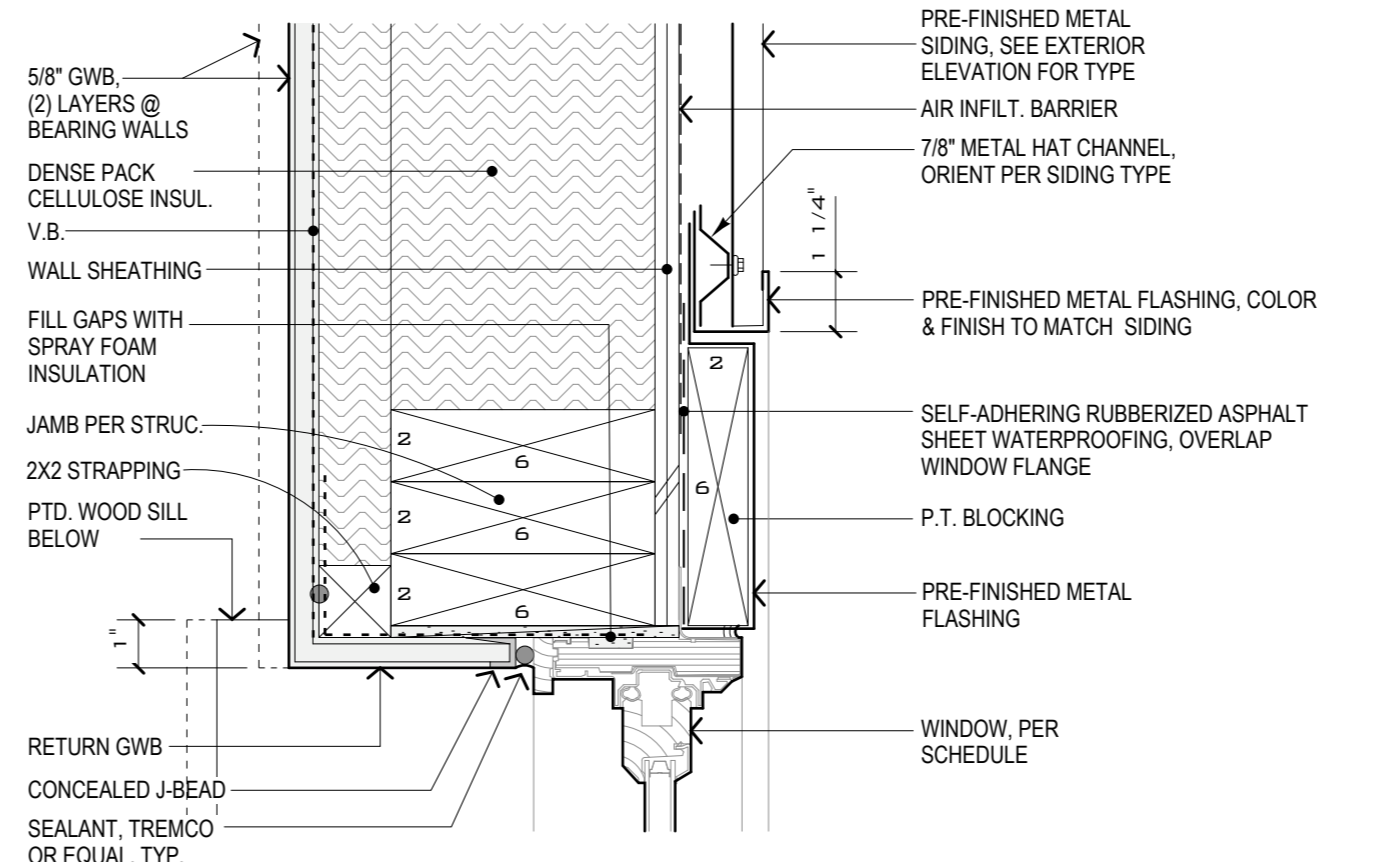
H7 TYPICAL HEAD DETAIL AT BRICK
BUILDING 2 3" = 1'-0"



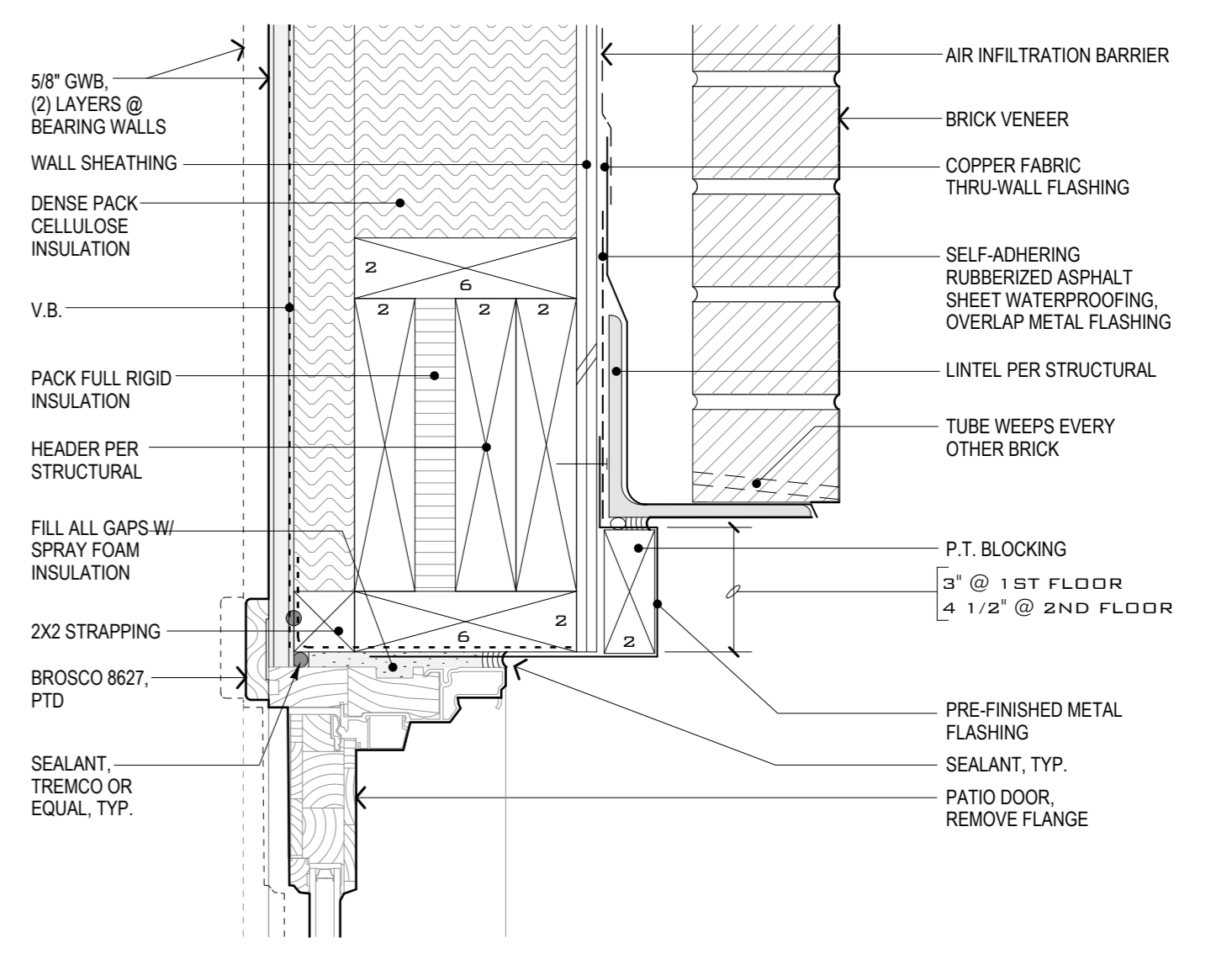
H5 HEAD DETAIL
BUILDING 1 3" = 1'-0"



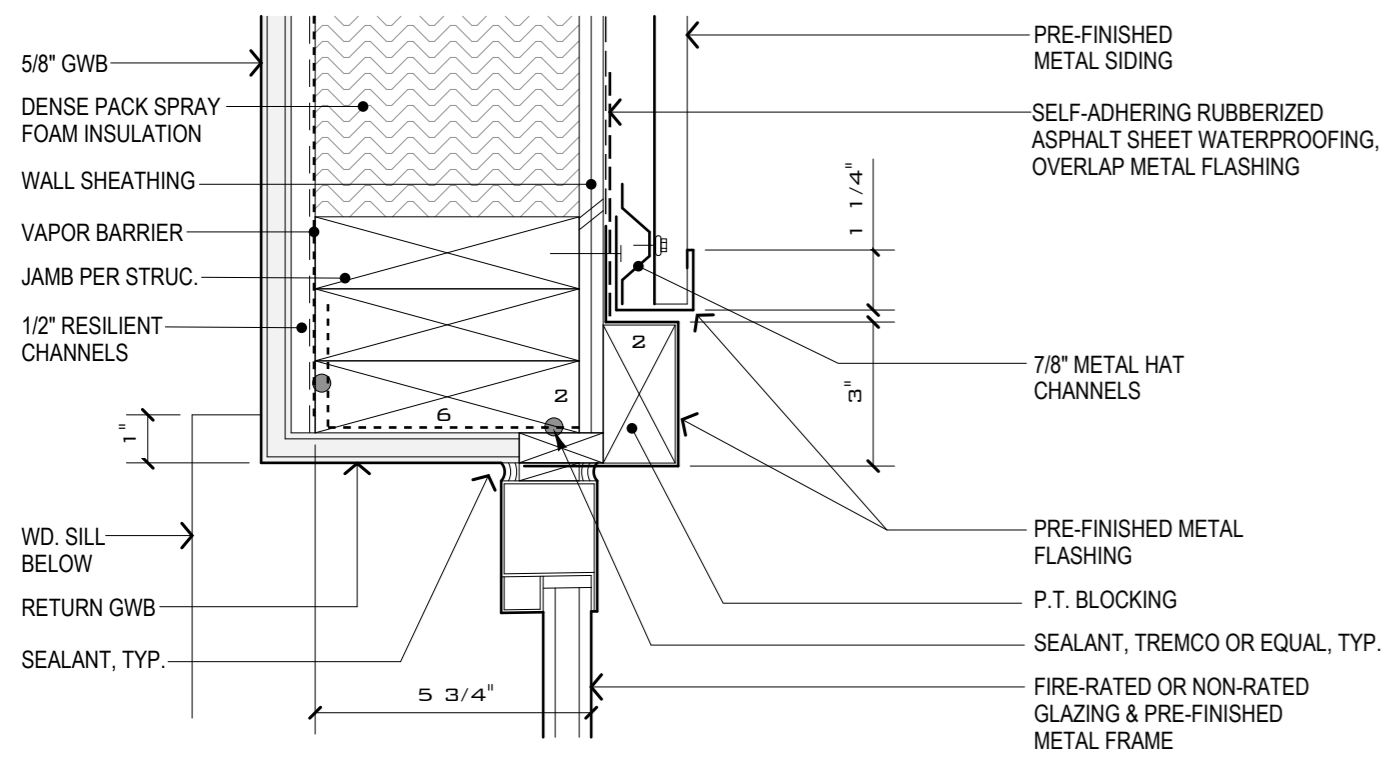
J7 JAMB @ STAIR TOWER
BUILDING 1 3" = 1'-0"



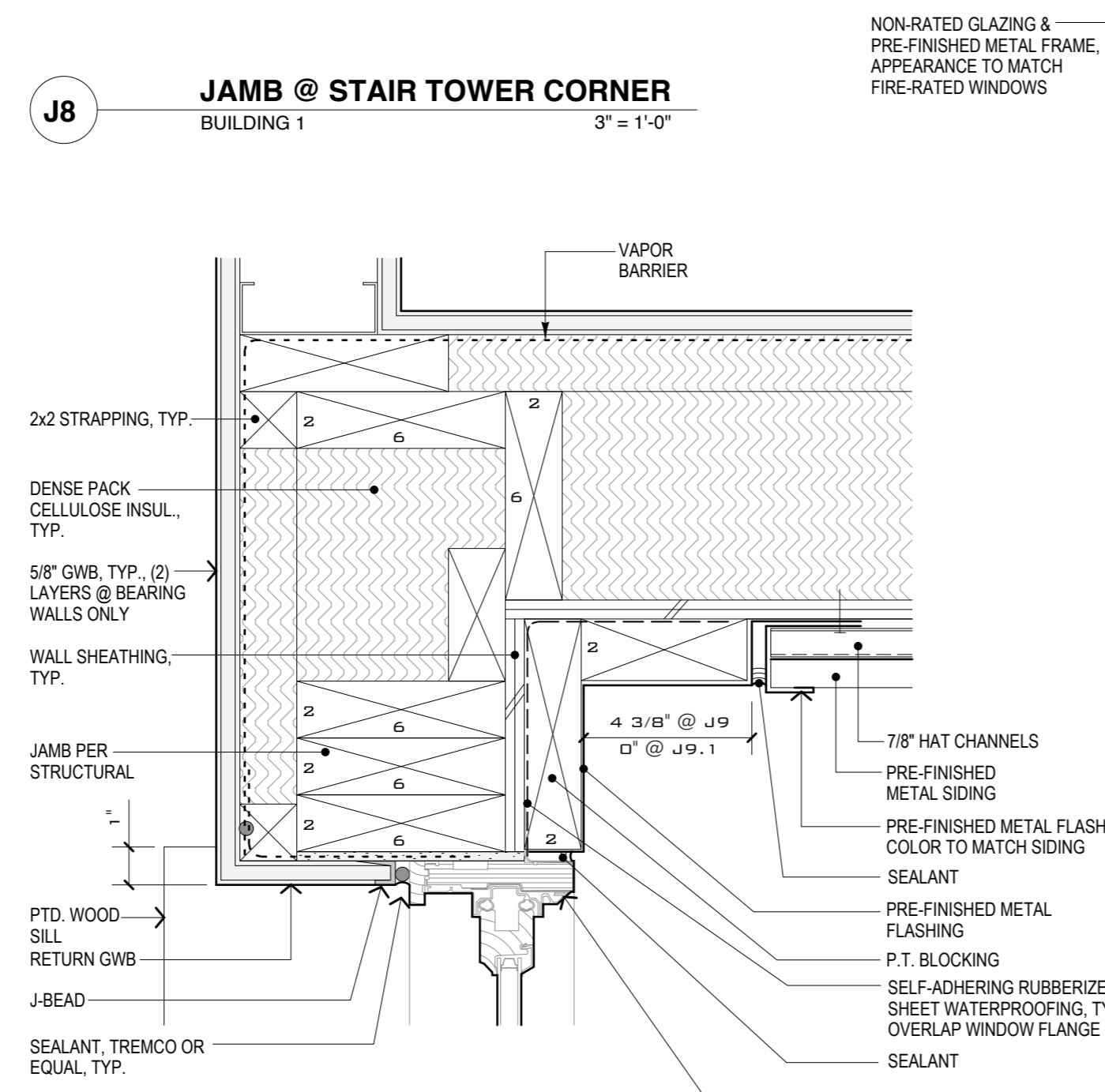
J10 JAMB DETAIL AT METAL
BUILDING 2 3" = 1'-0"



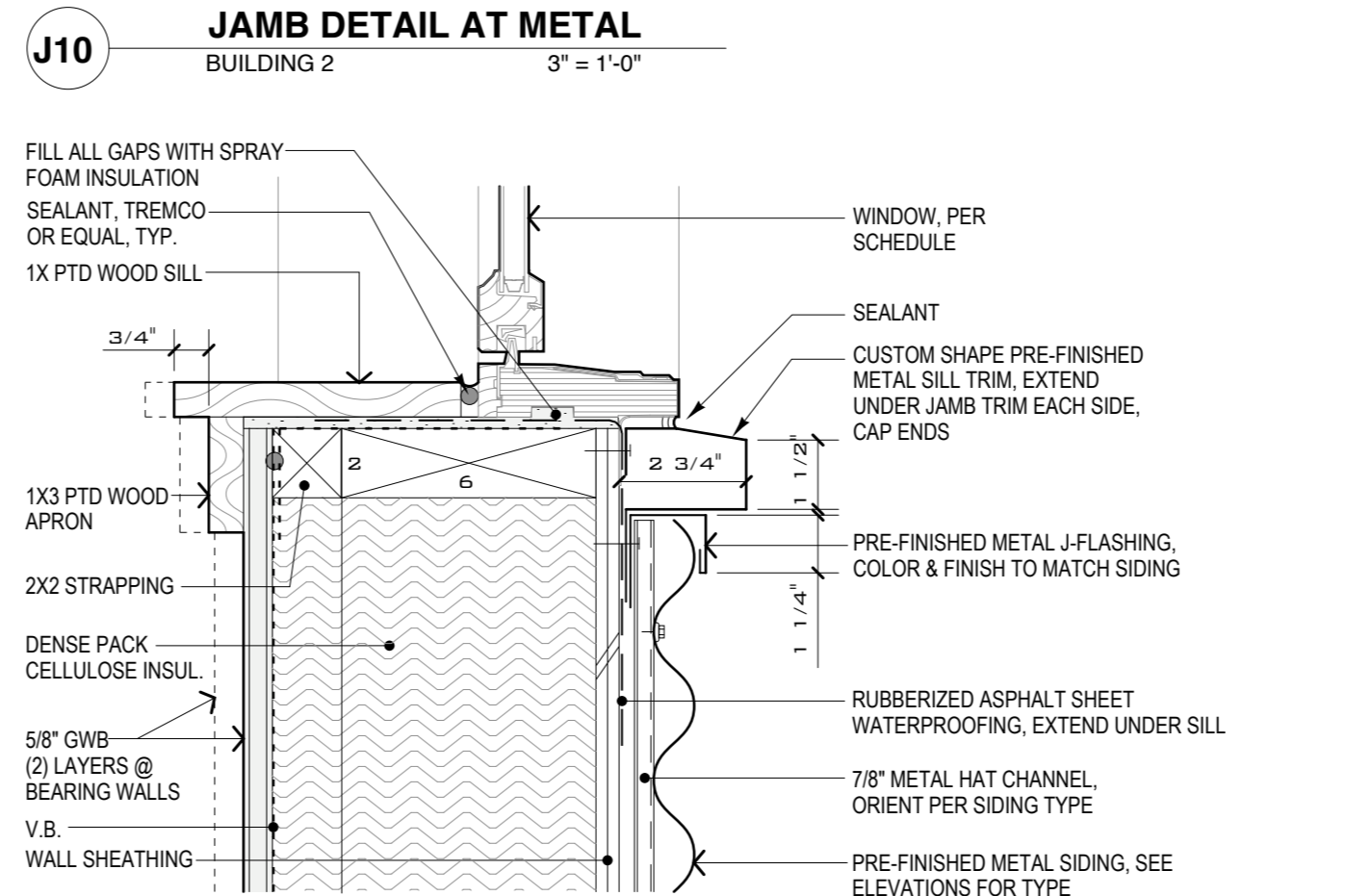
H8 PATIO DOOR HEAD @ BRICK
BUILDING 2 3" = 1'-0"



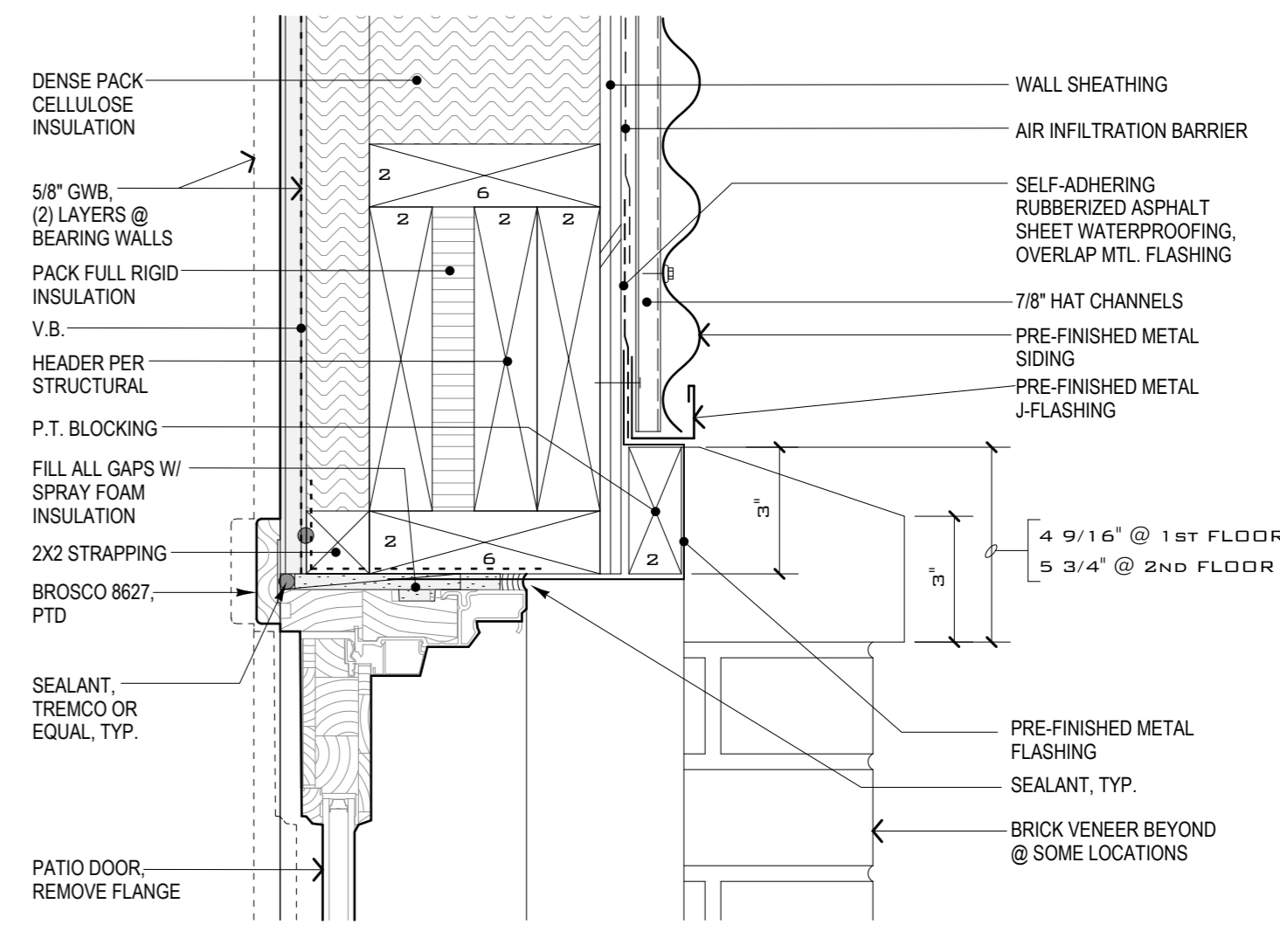
J6 JAMB DETAIL
BUILDING 1 3" = 1'-0"



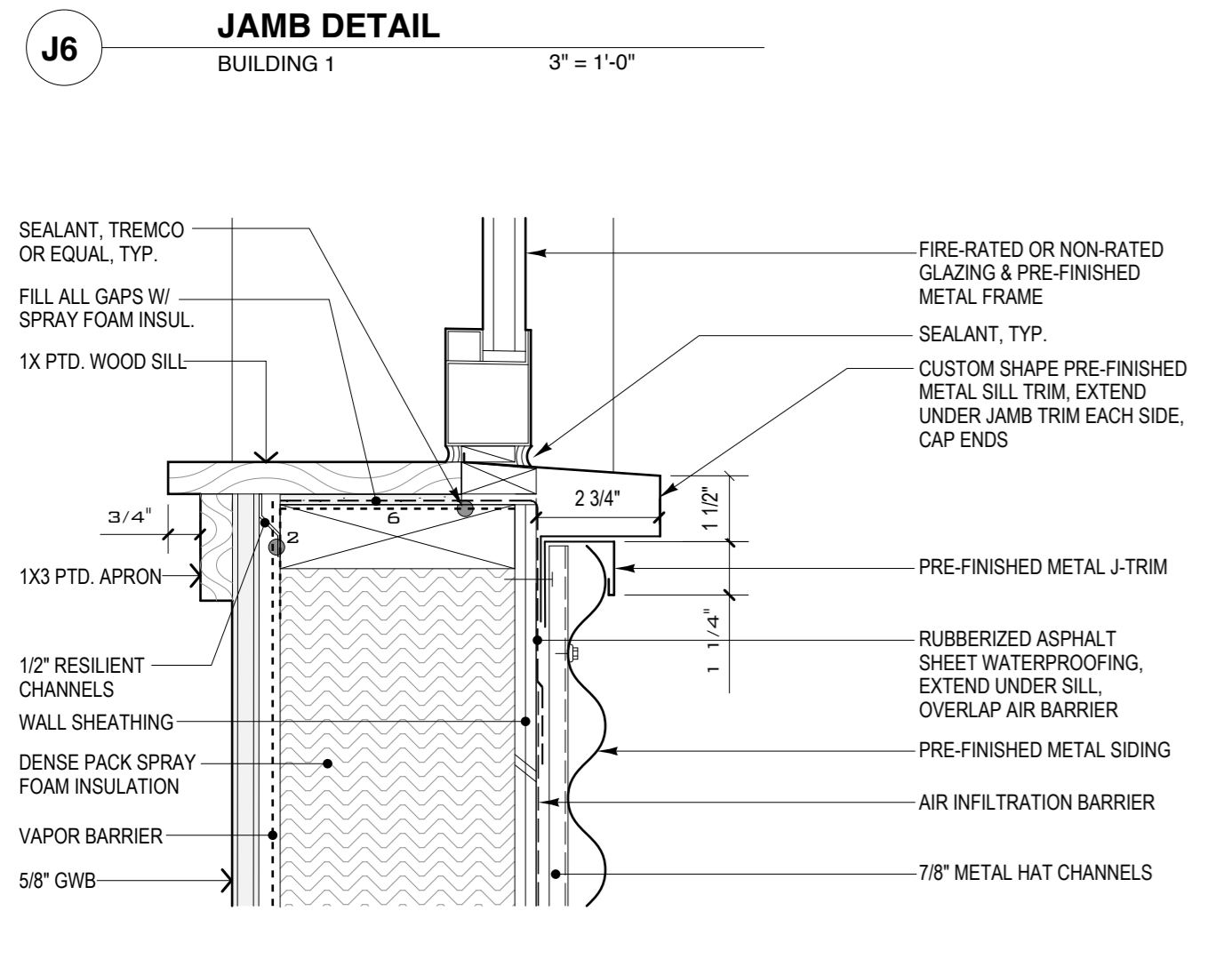
J8 JAMB @ STAIR TOWER CORNER
BUILDING 1 3" = 1'-0"



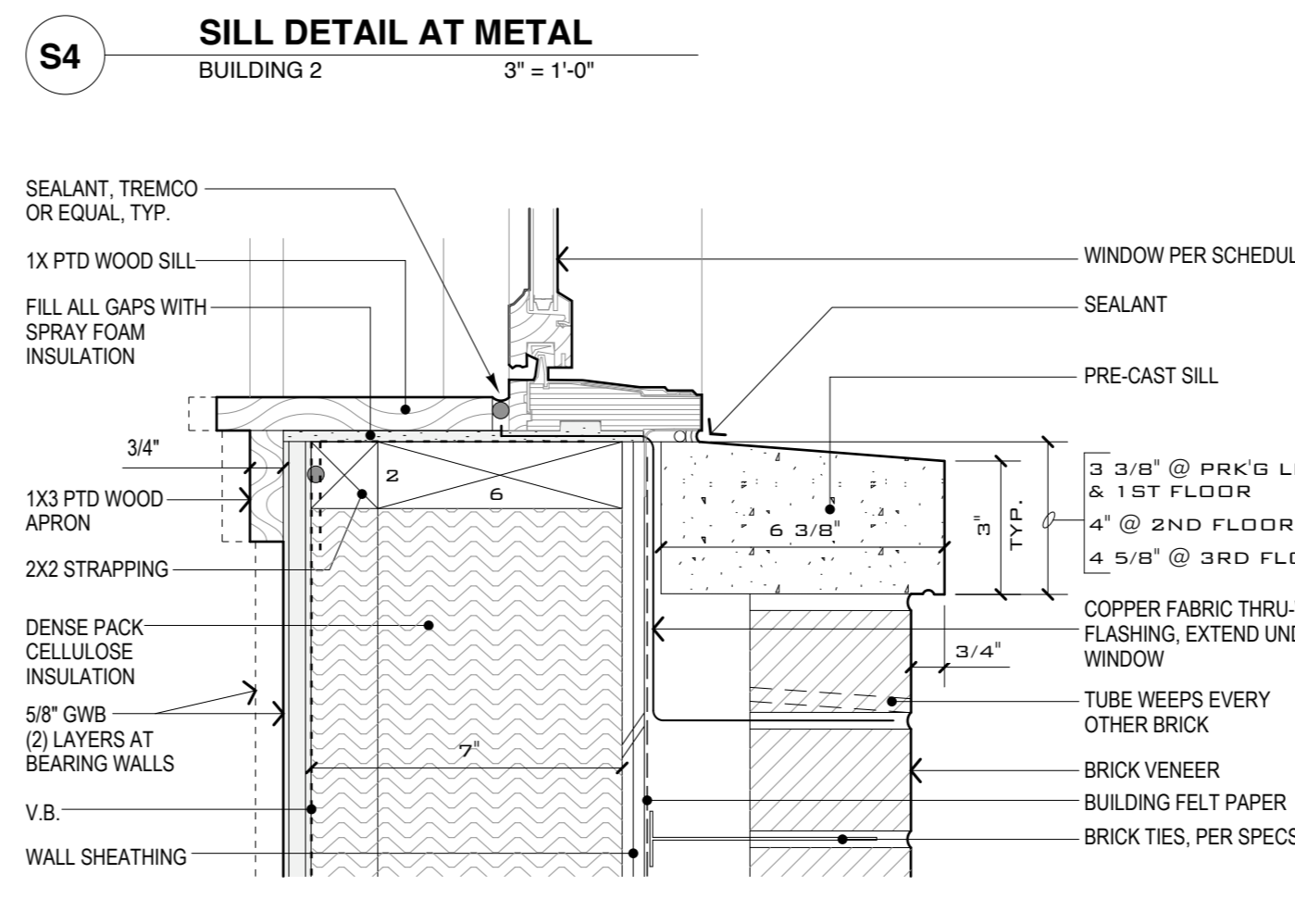
S4 SILL DETAIL AT METAL
BUILDING 2 3" = 1'-0"



H9 PATIO DOOR HEAD @ METAL
BUILDING 2 3" = 1'-0"



S3 SILL DETAIL
BUILDING 1 3" = 1'-0"



S5 SILL DETAIL AT BRICK
BUILDING 2 3" = 1'-0"

Pearl Place Building 1 & 2 Portland Maine

Developer
**Avesta Pearl
Street One, L.P.**

Architect
Winton Scott Architects

Landscape Architect
Carroll Associates

WINDOW DETAILS

A10.3

Scale: AS SHOWN