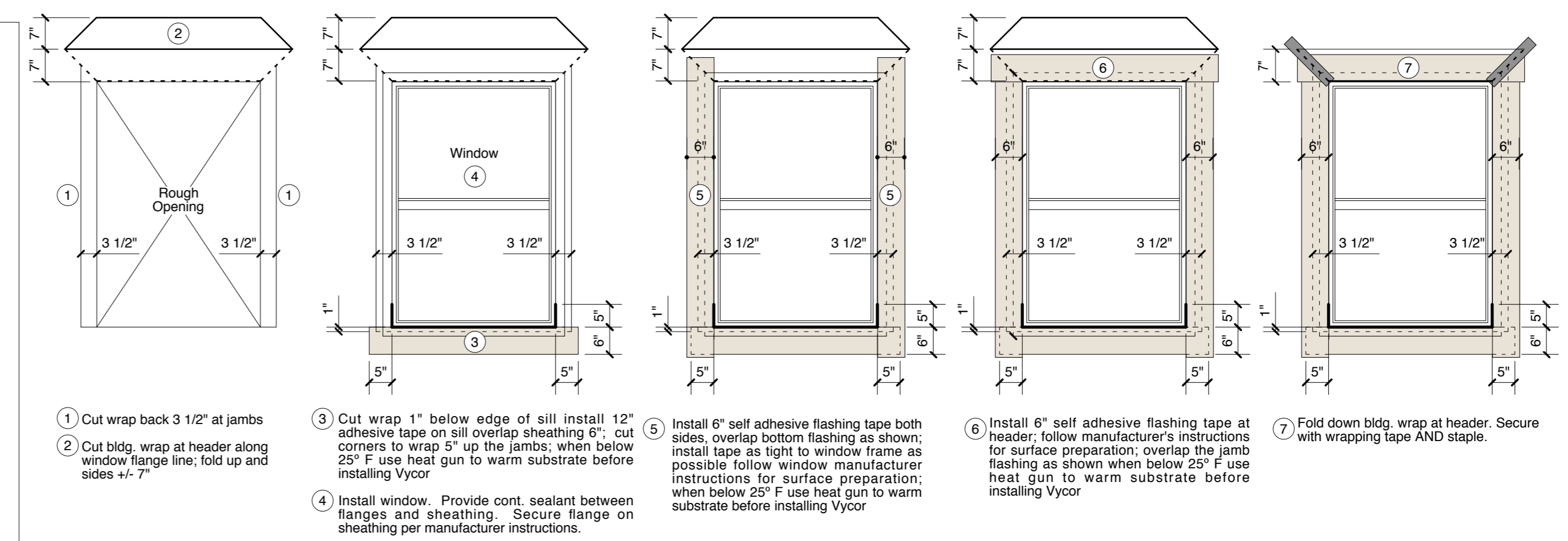
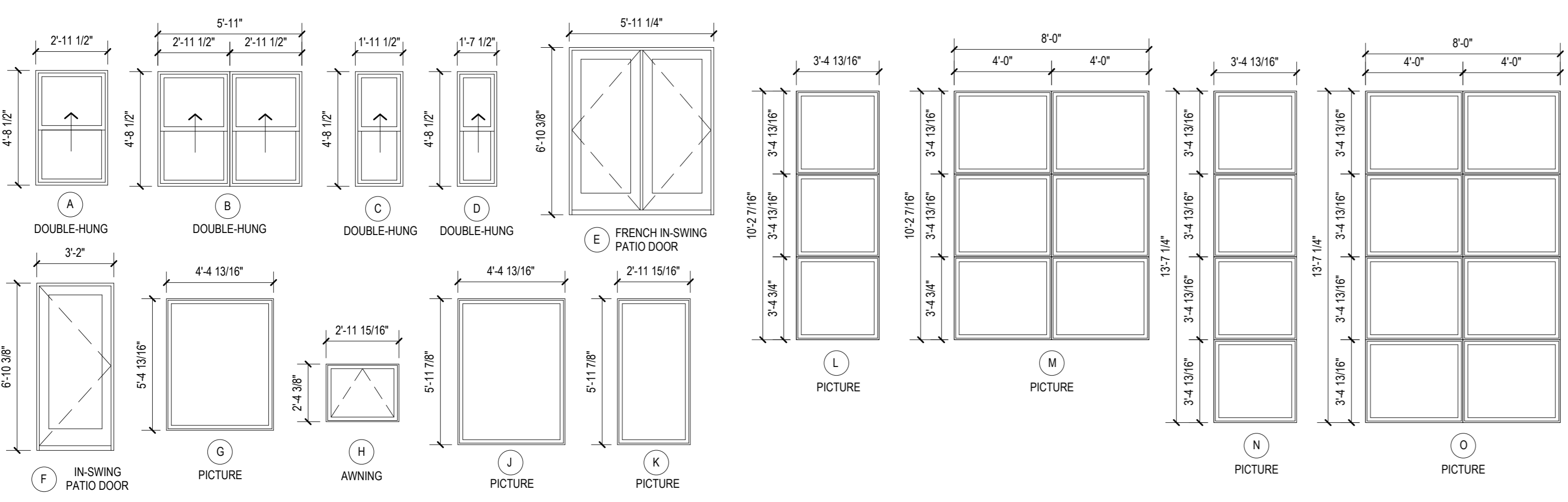
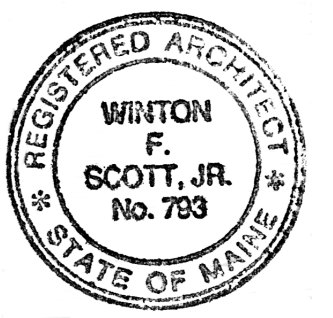
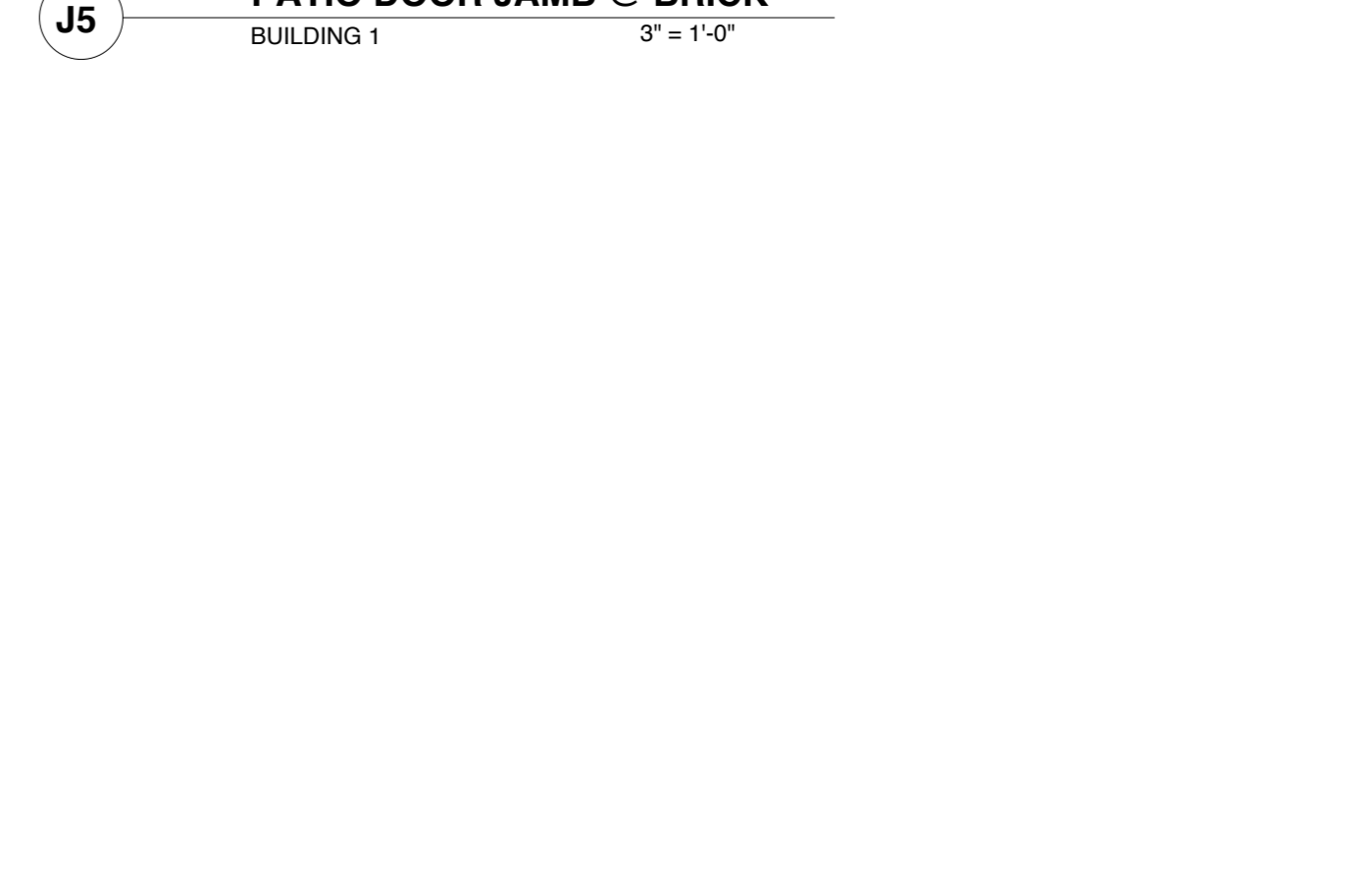
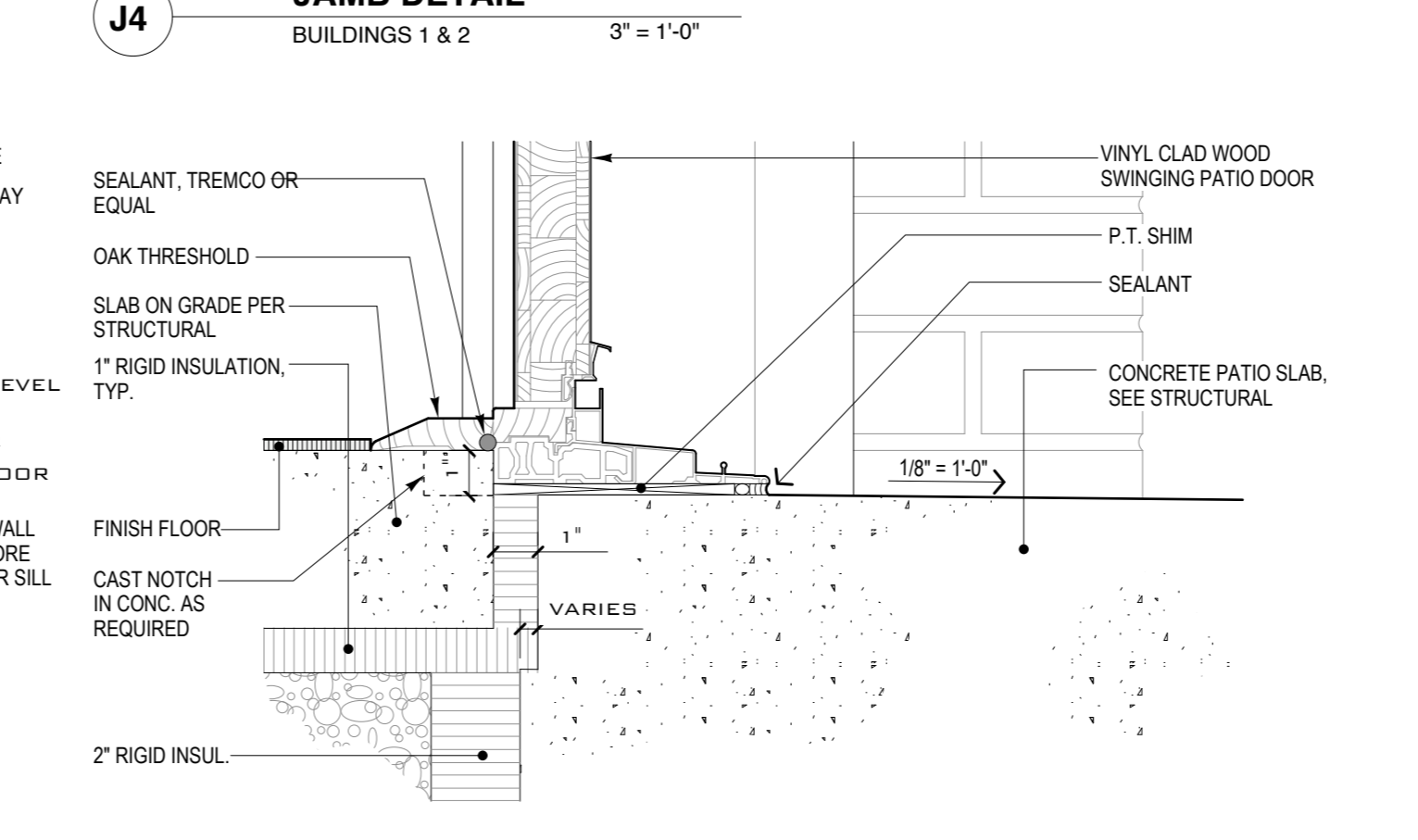
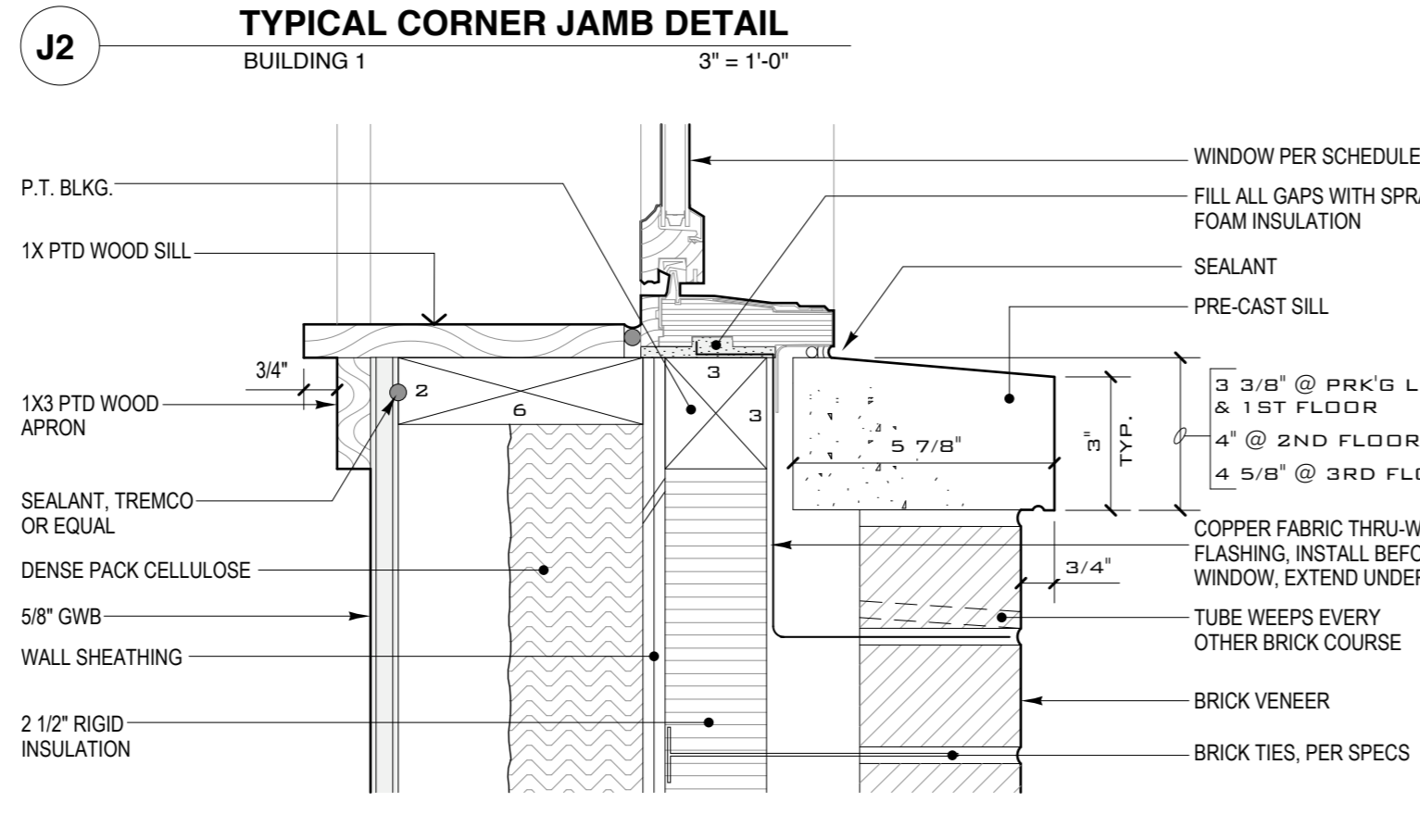
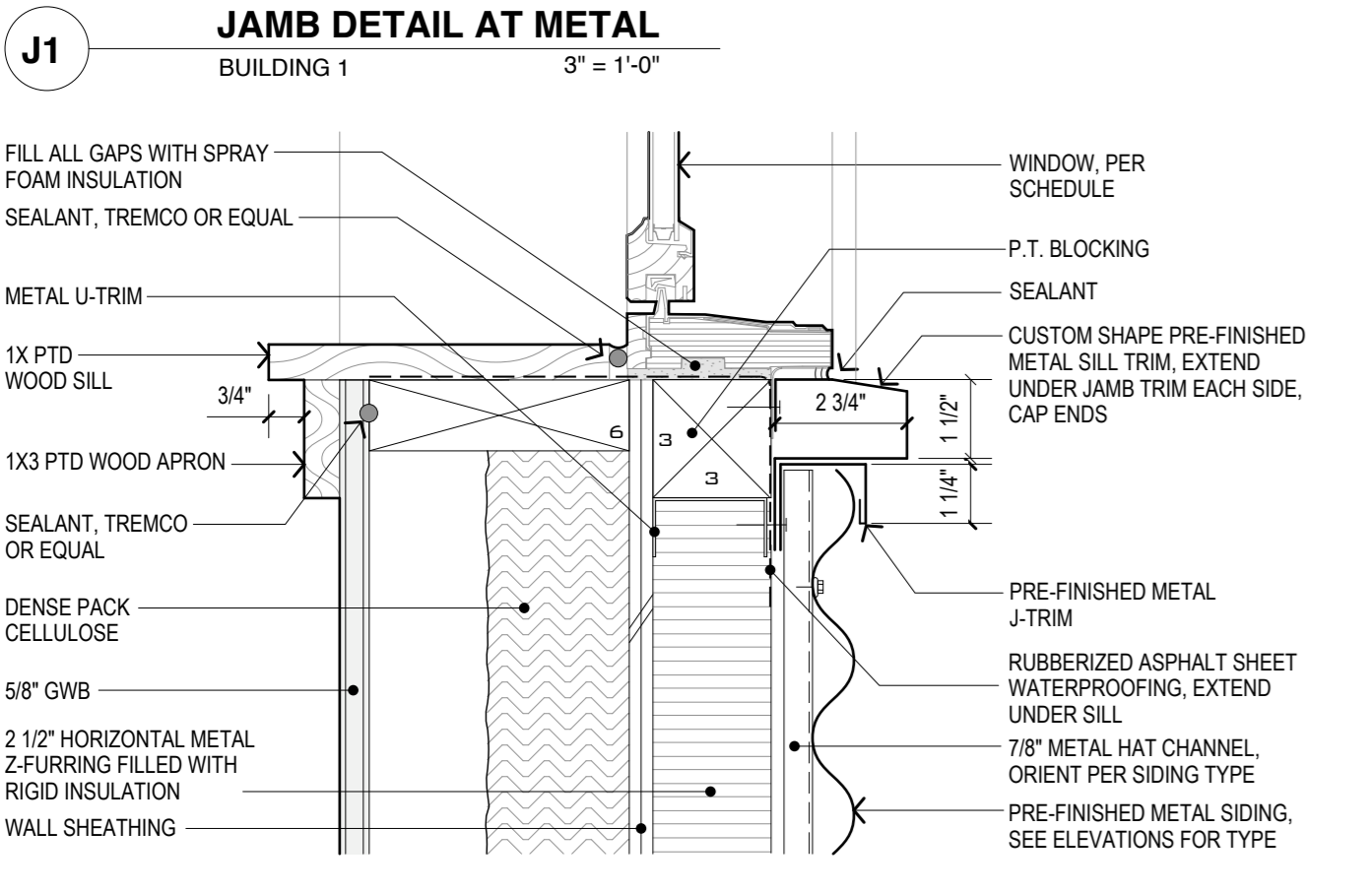
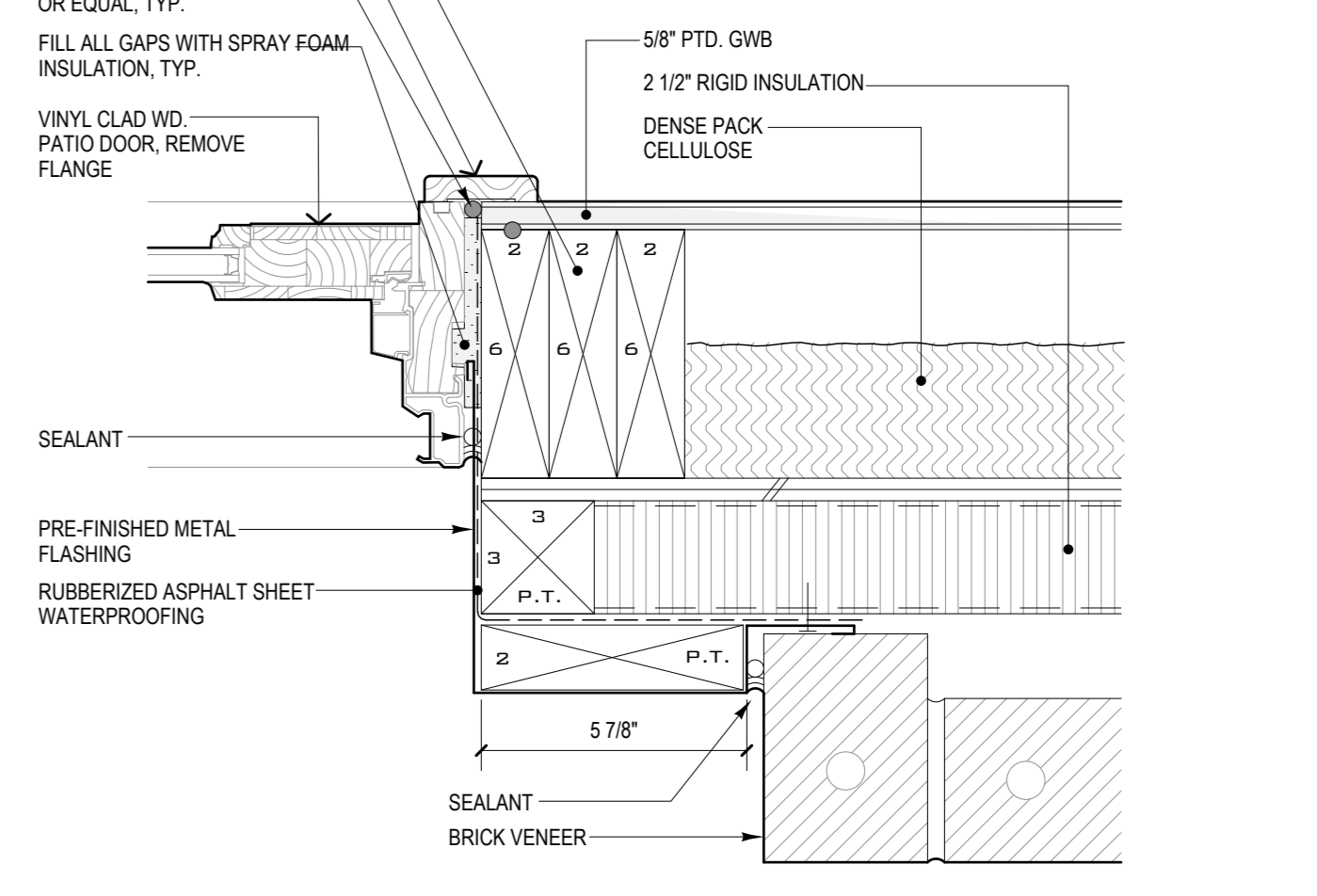
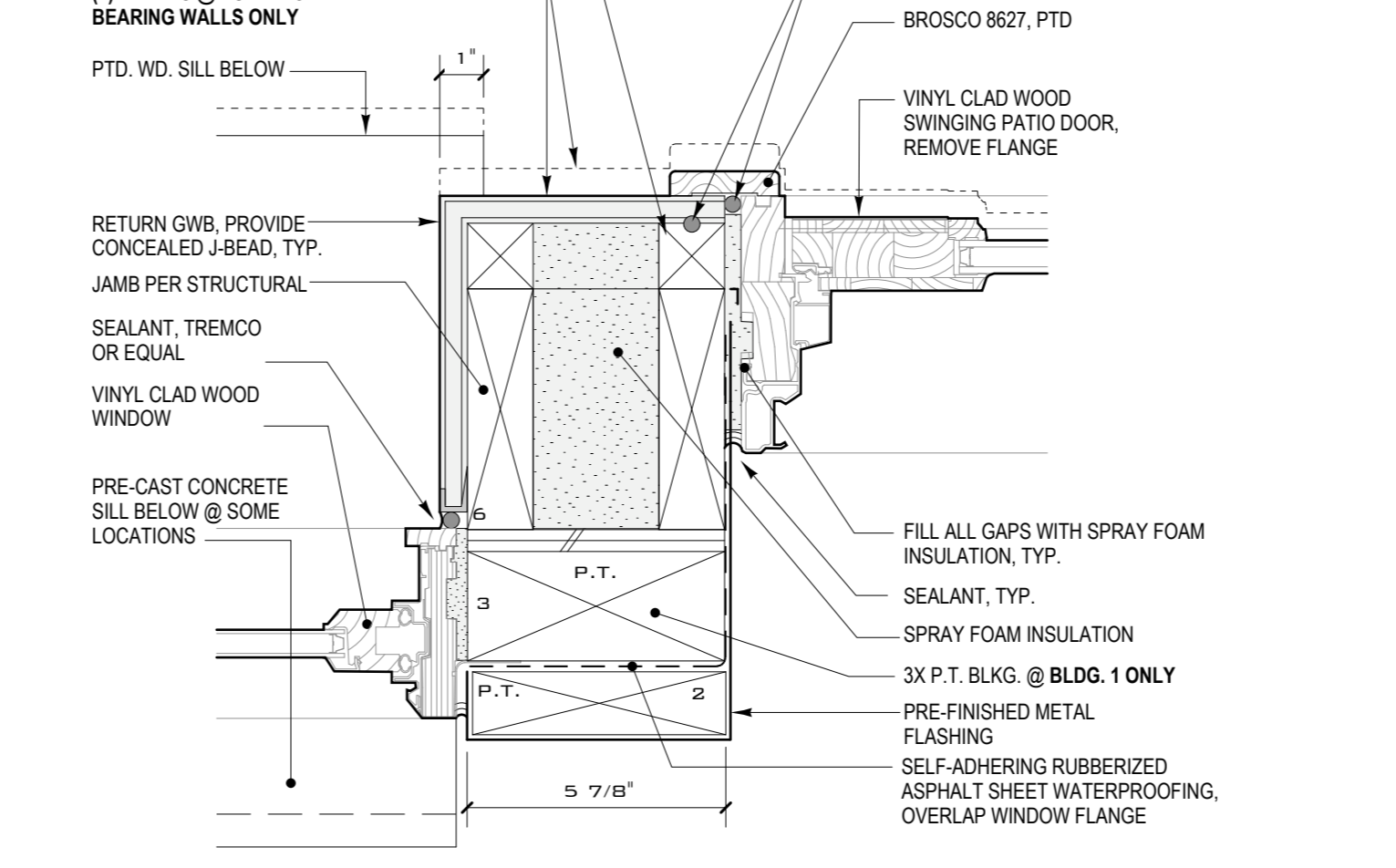
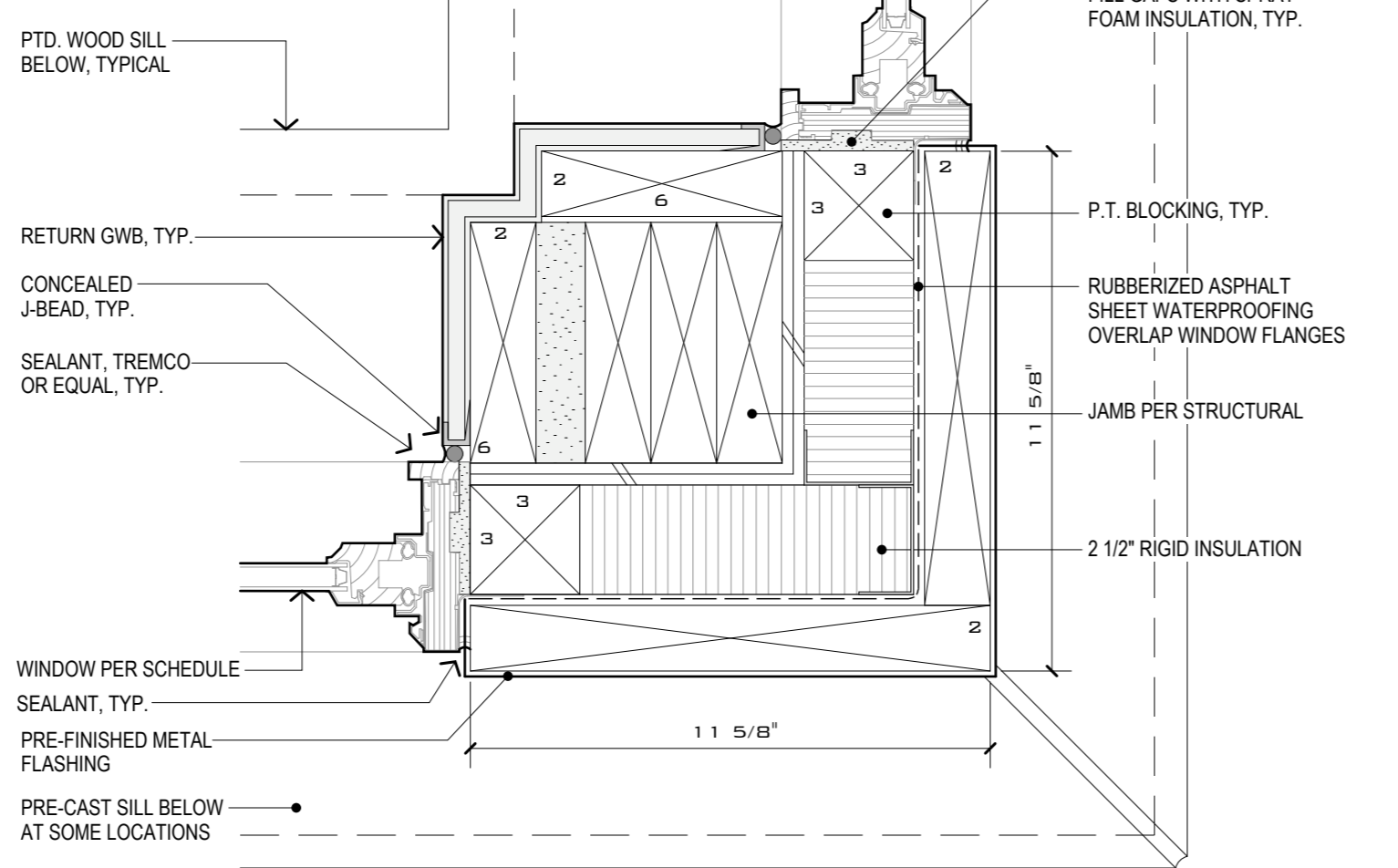
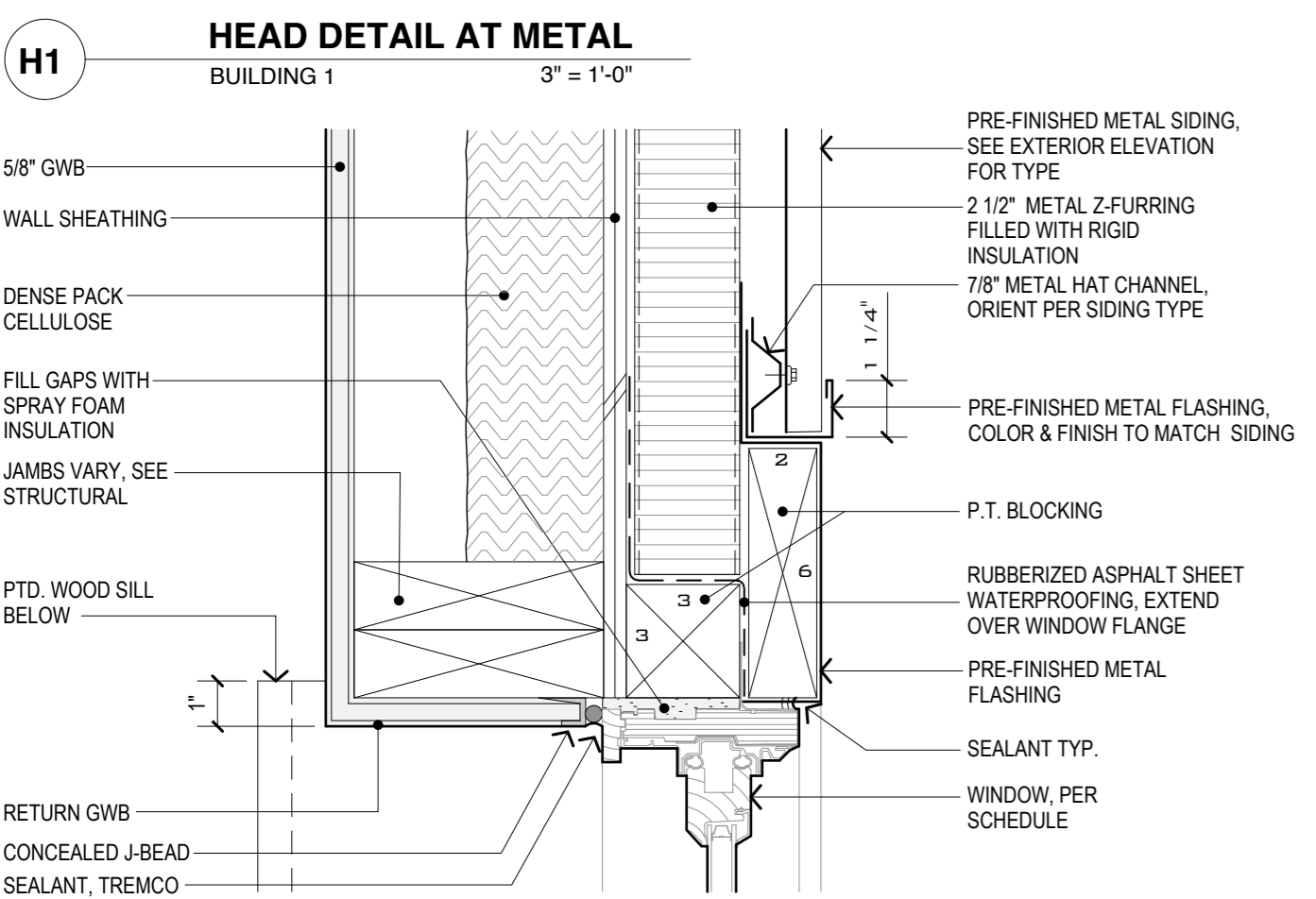
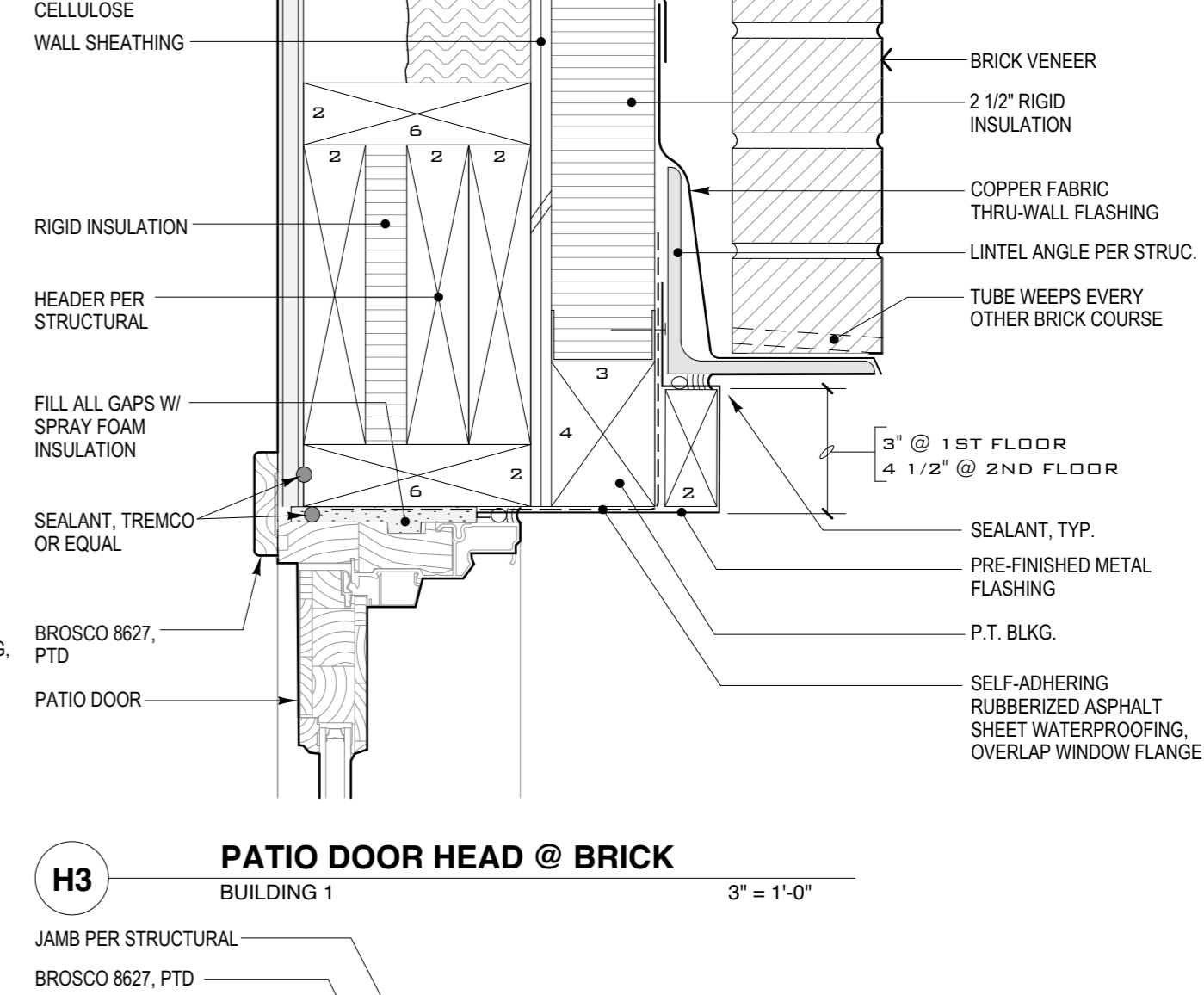
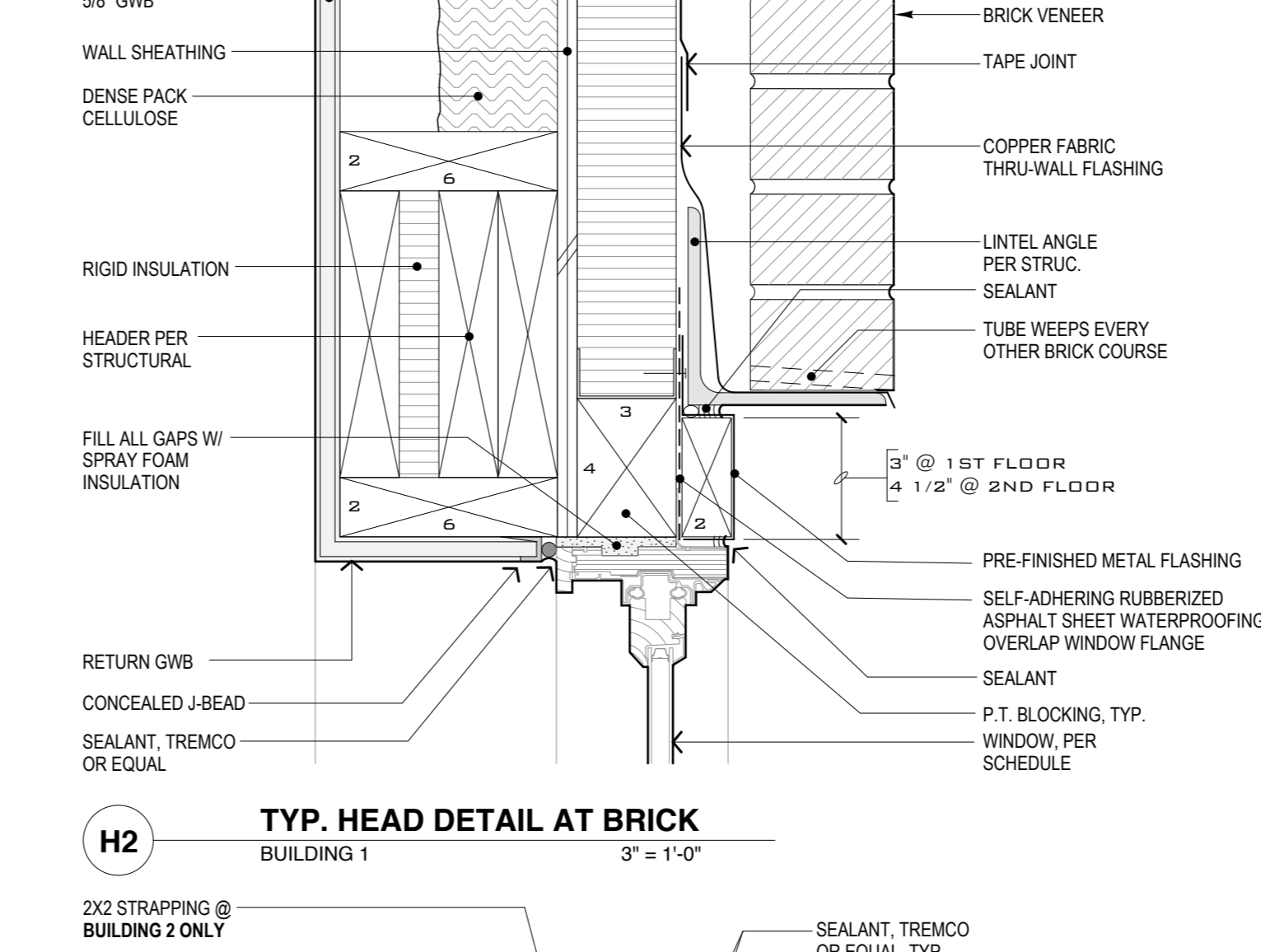
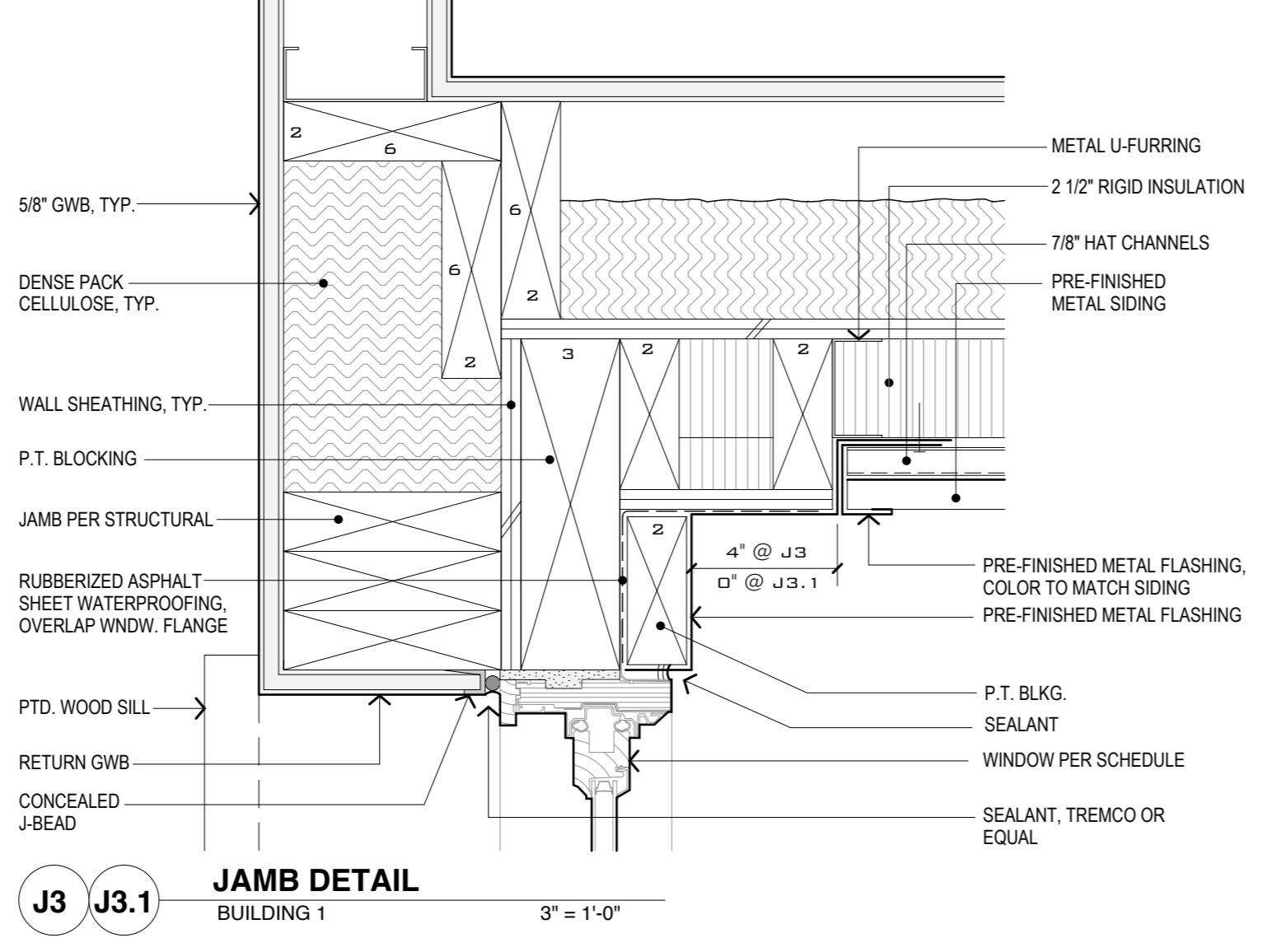
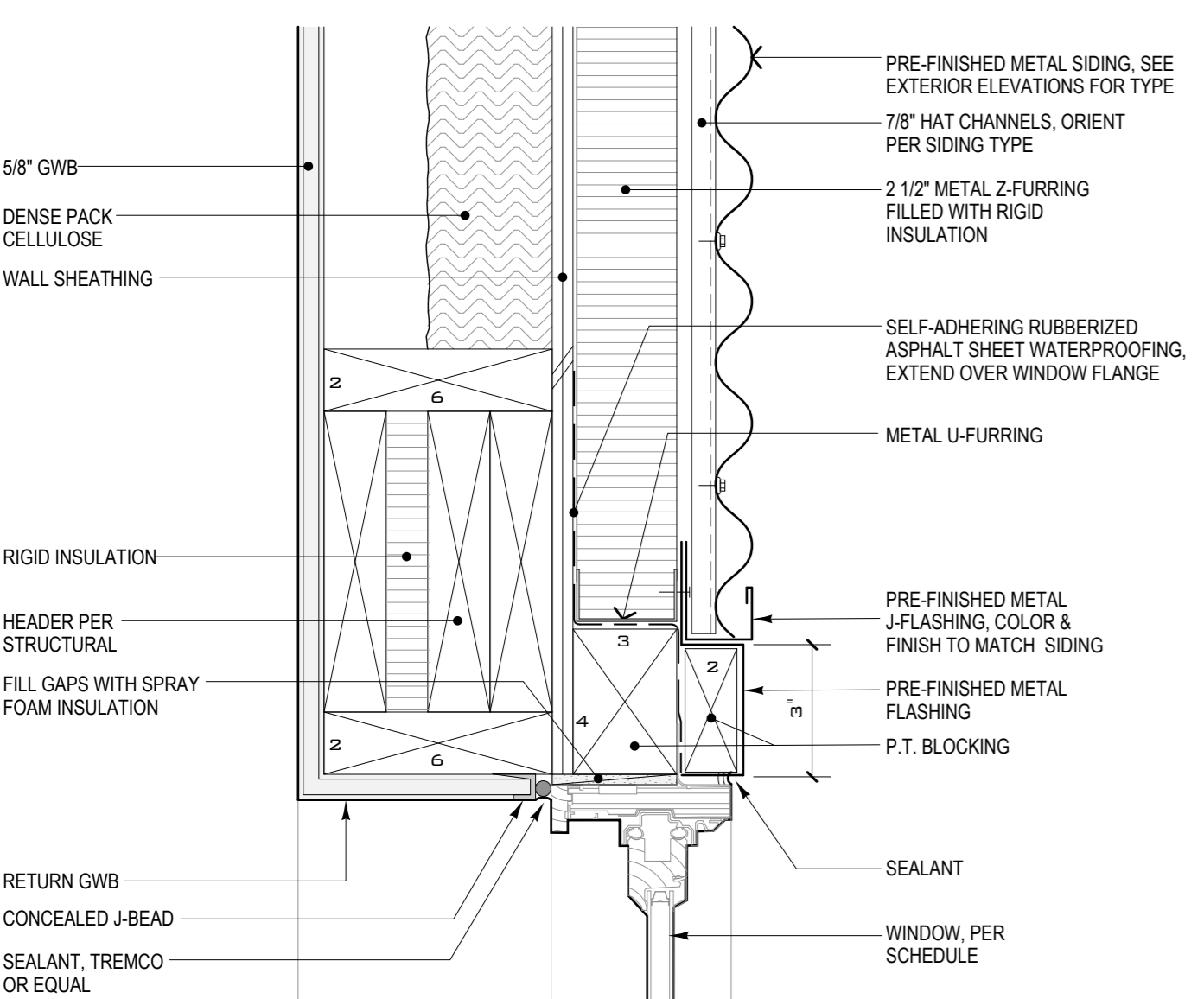
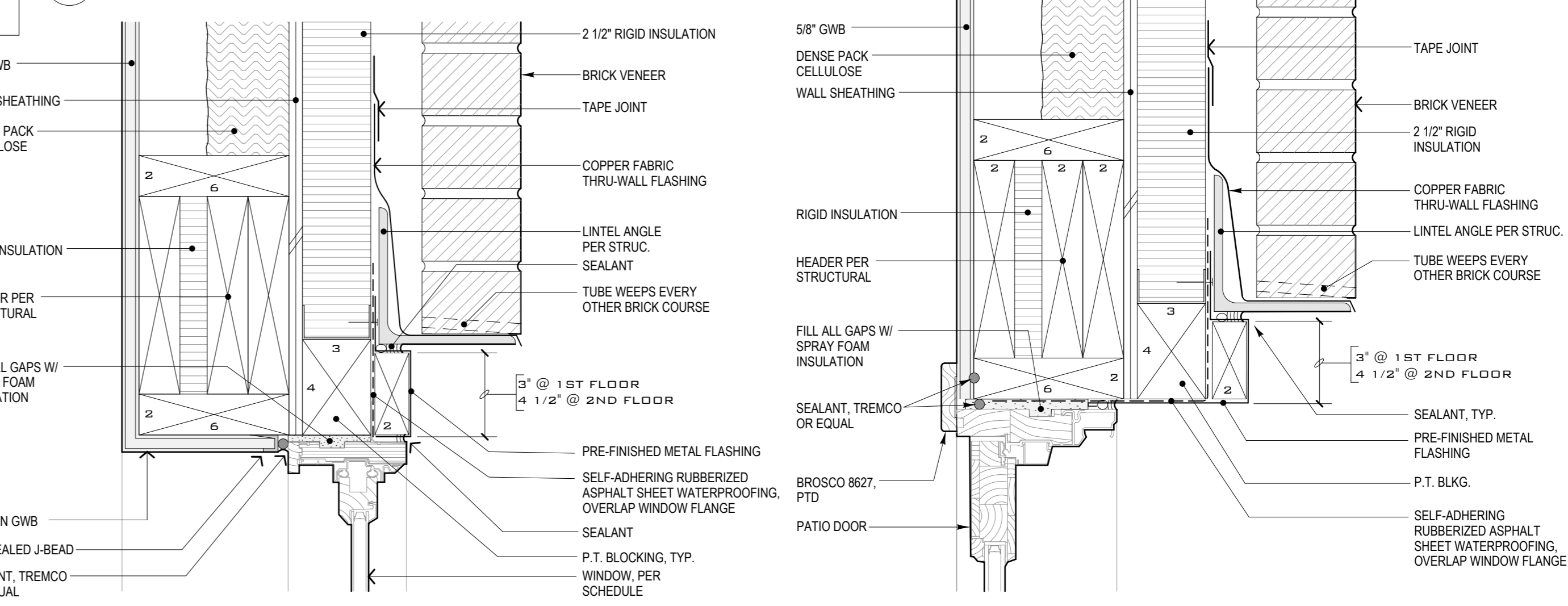


**WINDOW TYPES** (DIMENSIONS REFER TO UNIT FRAME SIZE)



**WINDOW FLASHING INSTRUCTIONS**



**Pearl Place  
Building 1 & 2**  
Portland Maine

Developer  
**Avesta Pearl  
Street One, L.P.**

Architect  
**Winton Scott Architects**

Landscape Architect  
**Carroll Associates**

**WINDOW DETAILS**

**A10.2**

Scale: AS SHOWN