

Pearl Place Building 1 & 2 Portland Maine

Developer

Avesta Pearl
Street One, L.P.

Architect
Winton Scott Architects

Landscape Architect
Carroll Associates

Civil
Gorrill Palmer
Consulting Engineers

Structural
Becker Structural

Mechanical / Plumbing
Mechanical Systems
Engineers

Electrical
Bartlett Designs

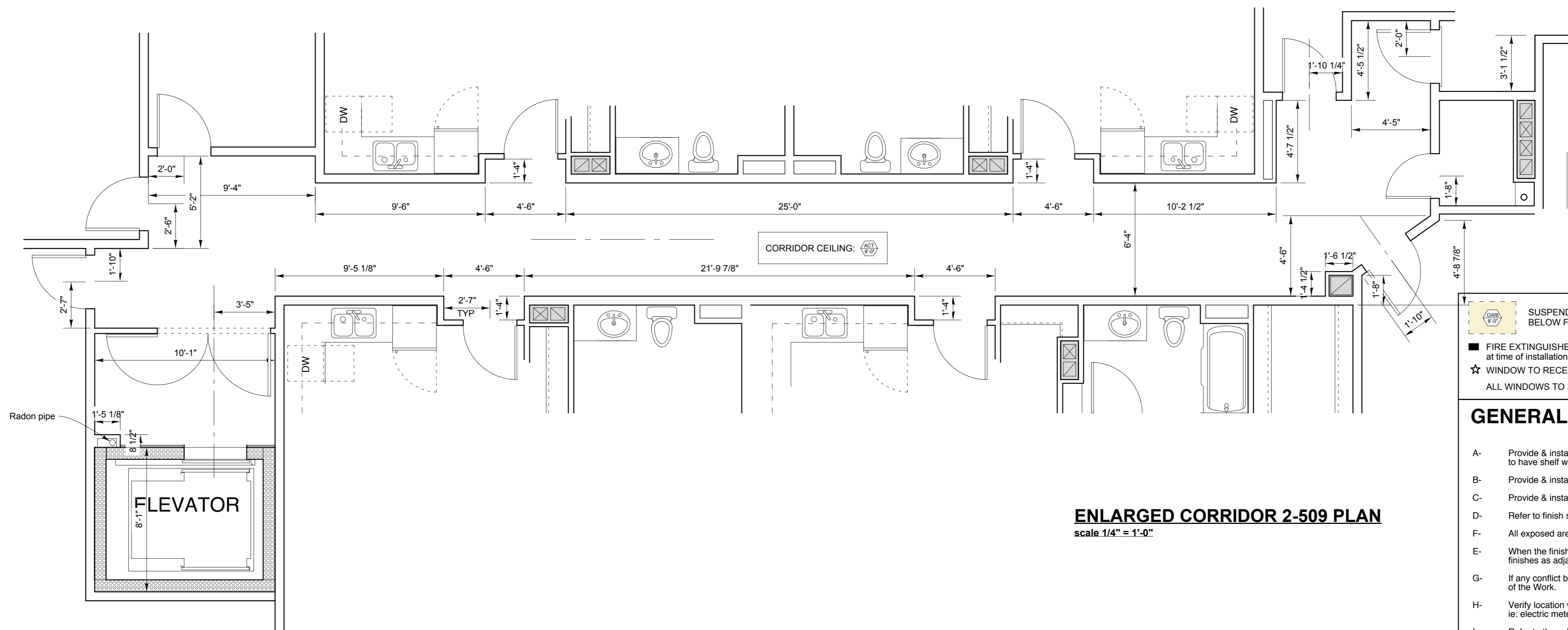
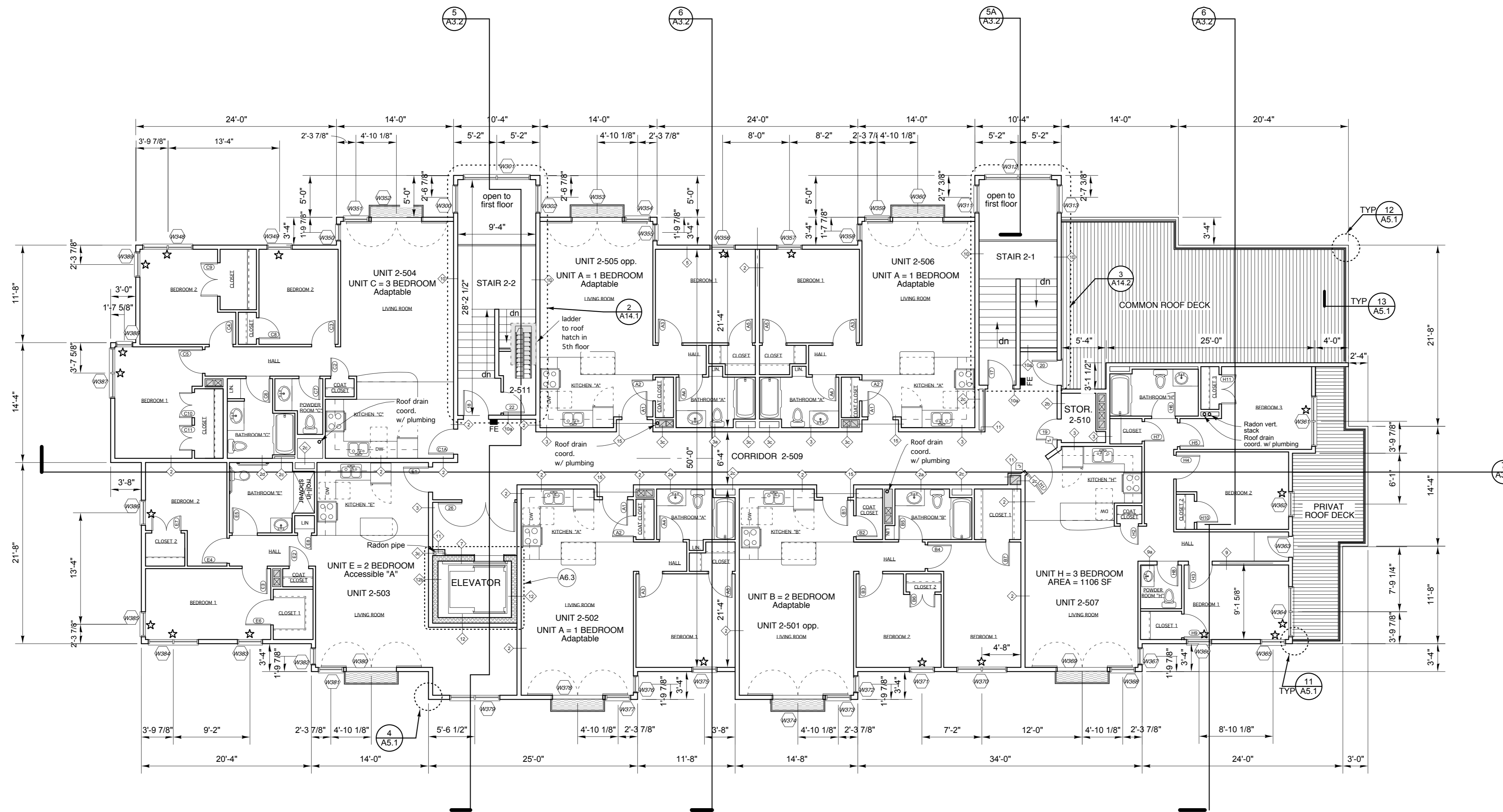
BUILDING 2

Fifth
Floor Plan

A 1.8

Scale: 1/8" = 1'-0"

SEPTEMBER 1, 2006



ENLARGED CORRIDOR 2-509 PLAN
scale 1/4" = 1'-0"

- SUSPENDED GWB OR ACT CLG. BELOW FR GWB CLG ABV
- FIRE EXTINGUISHER: verify final location with architect at time of installation
- WINDOW TO RECEIVE SHADES
- ALL WINDOWS TO RECEIVE CURTAIN RODS

GENERAL CONSTRUCTION NOTES

- A- Provide & install 1 shelf with 1 rod in all coat and bedroom closets. Walk-in closets to have shelf with rod as shown on plans.
- B- Provide & install 5 wire shelves at all linen storage.
- C- Provide & install 1 wire shelf at all broom and storage closets.
- D- Refer to finish schedule and Unit Plans for all finishes in all rooms.
- F- All exposed areas are to be painted unless called otherwise.
- E- When the finish for any room is not called in the Finish Schedule, install same finishes as adjacent space.
- G- If any conflict between drawings coordinate with Architect prior to installation of the Work.
- H- Verify location with Architect prior to installation of all wall mounted elements (ie: electric meters, door bells, signs, mechanical vents, etc).
- I- Refer to these building plans for all chase locations within the units. Coordinate piping locations with plumbing contractor.
- J- All penetrations in fire rated and sound rated assemblies shall be sealed, lined insulated to maintain the required ratings.