

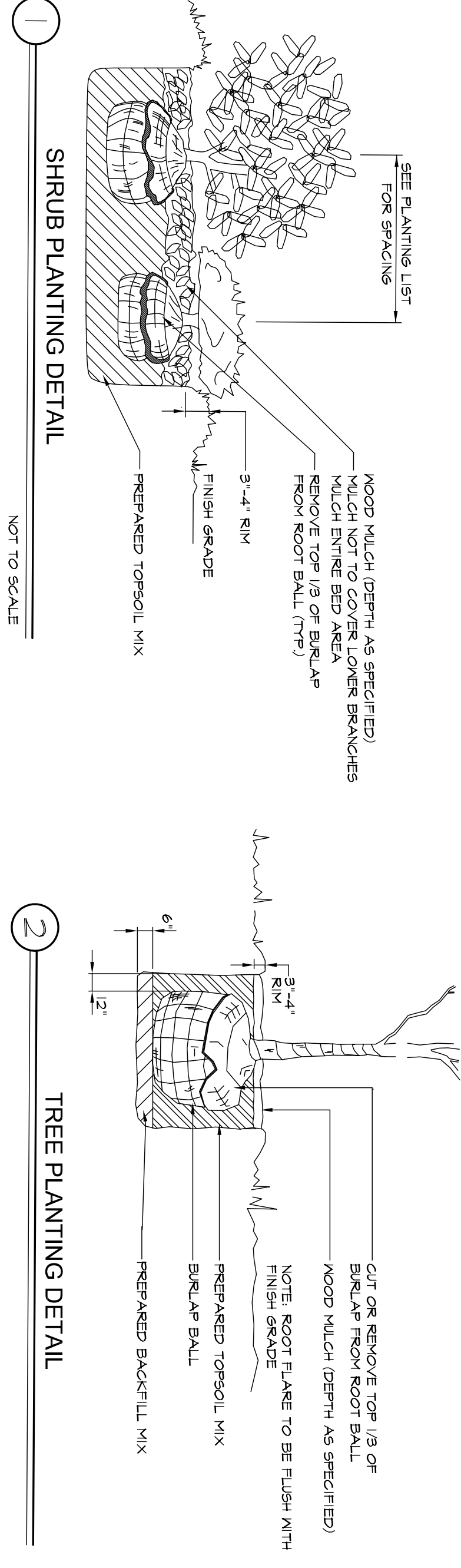
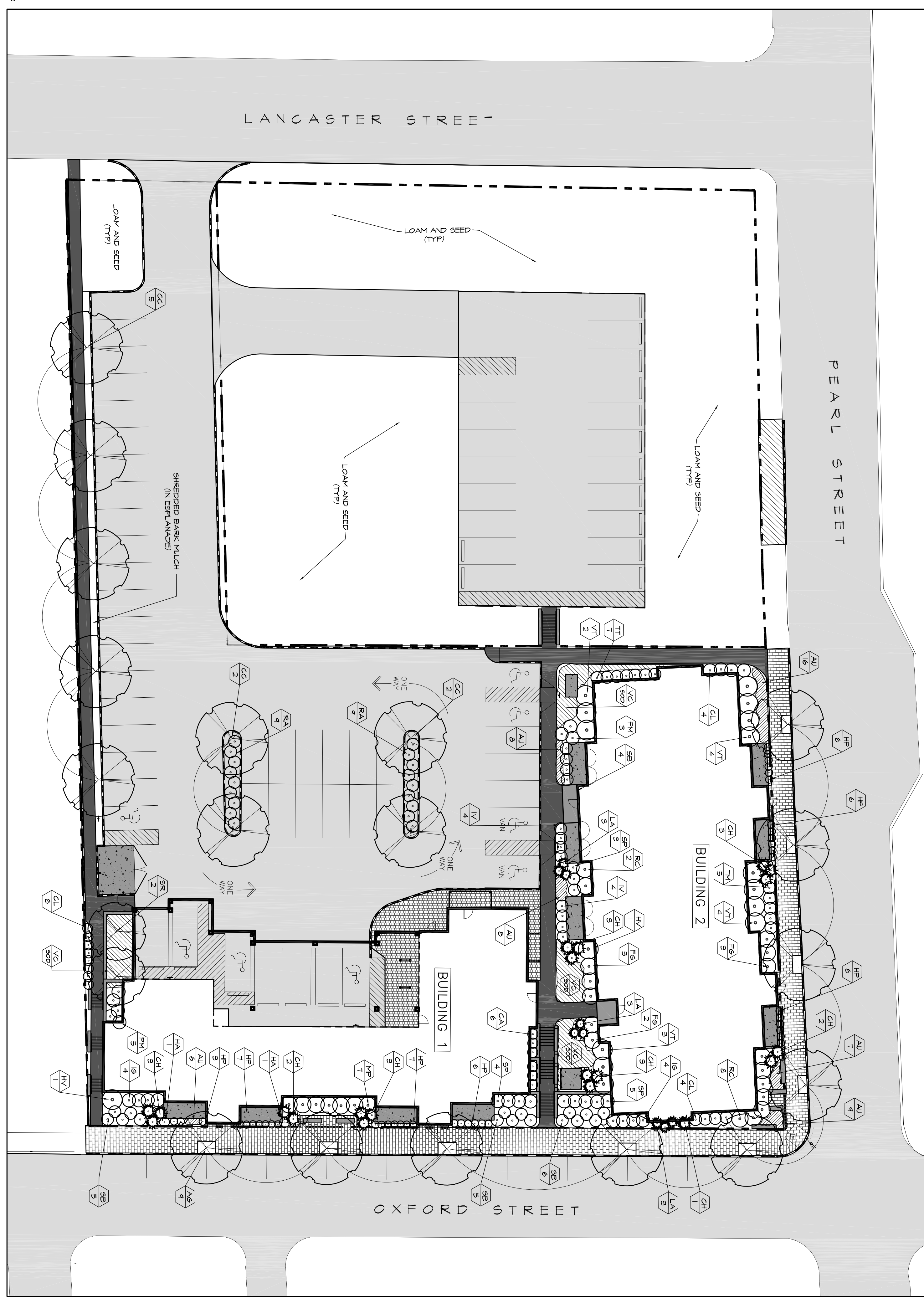
PLANT SCHEDULE

QTY	SYM	BOTANICAL NAME	COMMON NAME	SIZE	REMARKS	ZONE	NATIVE
TREES							
4	CC	CARPINUS CAROLINIANA	AMERICAN HORNBEAM	2" CAL.	B1B/24" BALL	Z4	✓
4	A6	ACER GINNALA	NOR YAPLE	2-2.5" CAL.	B1B	Z2	
2	SR	SYRINGA RETICULATA	JAPANESE TREE LILAC	6-8' CLUMP	B1B	Z5	
SHRUBS / BOUNDARIES							
44	AJ	ACOTYDAPHNOS VUAYRSI	BELLSBERG	1 GAL.	CONT	Z2	✓
16	CL	CLETHRA ALNIFOLIA COMPACTA	COMPACT SUMMERSWET	18-24"	B1B	Z4	✓
6	CA	COTONEASTER ARGOLATA	CRANBERRY COTONEASTER	18-24"	CONT	Z4	✓
20	CH	CHASMANTHIUM LATIFOLIUM	NORTHERN SEA OATS	2 GAL.	CONT	Z5	
8	FG	FOTHERGILLA GARDENII	DWARF FOTHERGILLA	24-30"	B1B	Z4	✓
2	HA	HYDRANGEA ARBORE ANNABELLE	ANNABELLE HYDRANGEA	15-18"	B1B	Z4	
35	HP	HYDRANGEA ANOMALA PETIOLARIS	CLIMBING HYDRANGEA	2 GAL.	CONT	Z4	✓
2	HV	HAYAVELLIS X INTERMEDIA PALLIDA	PALLIDA MITCHAZEL	3-4"	B1B	Z4	✓
8	IG	ILEX GLABRA COMPACTA	INGEBERRY	24-30"	B1B	Z5	✓
4	IV	ITEA VIRGINICA HENREYS GARNET	VIRGINIA SWEETSHIRE	24-30"	B1B	Z5	✓
4	LA	LEMNA ARENARIUS	BLUE LYSME GRASS	1 GAL.	CONT	Z4	✓
1	MP	MYRICA PENNSYLVANICA	NORTHERN BAYBERRY	24-30"	B1B	Z4	✓
8	PM	PINUS MUGO MUGO	COMPACT MUGO PINE	24" SHR	B1B	Z5	
18	RA	RHUS ARONICA SERO-LON	FRAGRANT SUMAC	2 GAL.	B1B	Z4	✓
10	RC	RHODO CATAWBESE ALBIM	WHITE CATAWBA RHOD	24-30"	B1B	Z4	
20	SB	SPIREA BUVAALDA MEGN FLASH	MEGN FLASH SPIREA	18-24"	CONT	Z4	
17	SP	SYRINGA HYBRI PALBINI	DWARF KOREAN LILAC	24-30"	B1B	Z5	
5	TM	TAXUS MEDIA EVER-GLOM	EVER-GLOM YEN	18-24"	B1B	Z4	
1	TT	TAXUS M. TAYLORII	TAYLOR YEN	24-30"	B1B	Z4	
75	VC	VACCINIUM ANGUSTIFOLIUM	LOWBUSH BLUEBERRY	50/1T.	SOP	Z5	✓
18	V1	VIBURNUM TOX. SHOSHONI	SHOSHONI VIBURNUM	30-36"	B1B	Z5	

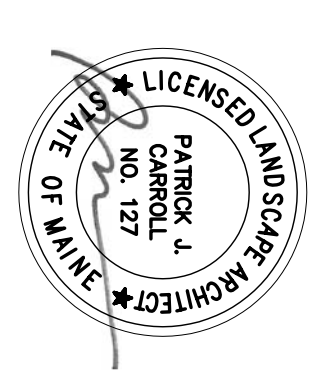
NOTE:
ALL SUBSTITUTIONS SHALL MEET MSHA NATIVE PLANT REQUIREMENTS, AND MUST BE APPROVED BY LANDSCAPE ARCHITECT

PLANTING NOTES

- 1. Contractor shall begin maintenance immediately after planting and shall continue until final acceptance. Contractor shall be responsible for all means and methods of watering and any discrepancy between the quantities shown in the plant schedule and those required on the plan shall not entitle the contractor to additional remuneration. Any discrepancies shall be the responsibility of the contractor.
- 2. All materials shall conform to specifications of the American Standards for Nursery Stock (latest Edition) as set forth by the American Association of Nurserymen.
- 3. All plants shall bear the same relationship to finish grade as the original grades before planting.
- 4. All plants shall be installed as specified in the contract specifications.
- 5. The landscape contractor shall guarantee all plant materials for one (1) full year from date of substantial completion.
- 6. All plant materials are subject to the approval of the landscape architect at the nursery and shall be delivered to the site in a timely manner.
- 7. All plant beds shall meet minimum topsoil requirements (see specifications) and finish grading has been completed in the immediate area.
- 8. No plant material shall be installed until grading, bed preparation, and finish grading has been completed to the satisfaction of the architect.
- 9. The contractor shall provide a minimum of 3" of uniformly distributed dark shredded bark mulch.
- 10. Contractor shall submit soil sample and test of topsoil to Landscape Architect prior to installation. Soil moisture shall be added to existing soil (by contractor) if deemed necessary.
- 11. Soils shall be tested and approved by Landscape Architect prior to plant installation. Contractor shall notify Landscape Architect 48 hours prior to plant installation.
- 12. All plants shall be balled and wrapped or container grown as specified in the contract specifications.
- 13. All broad leaf evergreen plants shall be sprayed with an anti-desiccant at the beginning of their first winter.
- 14. All plants shall be installed as specified in the contract specifications.
- 15. The landscape contractor shall provide loam fill as per the contract specifications.
- 16. The landscape contractor shall provide loam fill as per the contract specifications.
- 17. The landscape contractor shall refer to the plant list and planting specifications for additional requirements and other restrictions related to the time and season of planting.



BID SET - NOT FOR CONSTRUCTION



Pearl Place Building 1 & 2 Portland, Maine

Developer
Avesta Pearl Street One,
L.P.

Architect
Winston Scott Architects
Landscape Architect
Carroll Associates
Civil Engineer
Gorrell Palmer Consulting
Structural Engineer
Becker Structural
Mechanical/Plumbing
Mechanical Systems
Engineers
Electrical
Barllett Designs

BUILDINGS 1 & 2
SITE LANDSCAPE
PLAN

L-3

Scale: 1" = 20'-0"
September 1, 2006