

# UL Online Certifications Directory

## BXUV.U326

### Fire Resistance Ratings - ANSI/UL 263

[Page Bottom](#)

## Fire Resistance Ratings - ANSI/UL 263

See General Information for Fire Resistance Ratings - ANSI/UL 263

Design No. U326

VL954

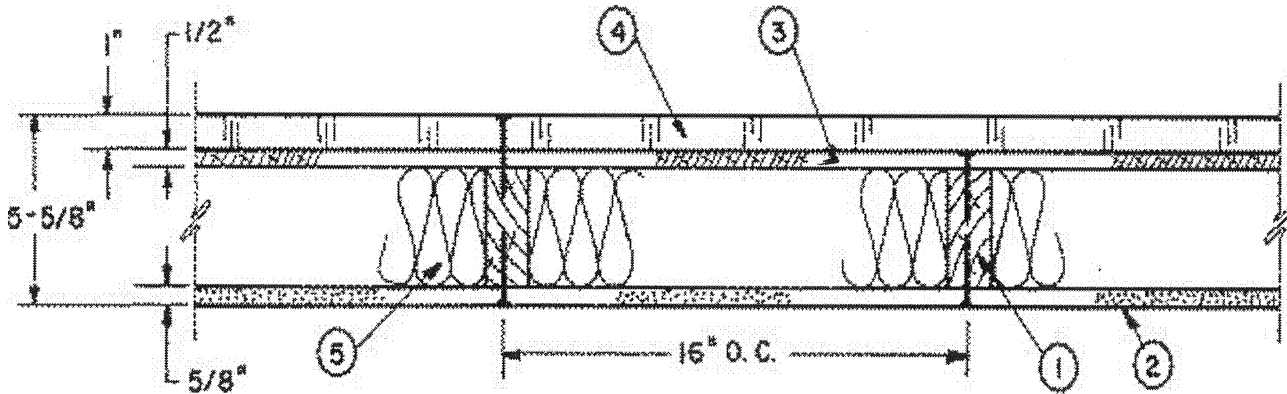
December 17, 2004

(Exposed to Fire on Interior Face Only)

Bearing Wall Rating — 1 HR.

Finish Rating - 25 Min.

Load Restricted for Canadian Applications — See Guide [BXUV7](#)



1. **Wood Studs** — Nom 2 by 4 in., spaced 16 in. OC.
  2. **Gypsum Board\*** — 5/8 in. thick, 4 ft wide, applied vertically. Attached to studs with 1-3/4 in. long steel drywall nails with 0.102 in. diameter shank and 0.29 in. diameter head, spaced 7 in. OC. Vertical joints located over studs. Joints covered with paper tape and joint compound. Nail heads covered with joint compound.
- See Gypsum Board (CKNX)** category for names of manufacturers.
3. **Plywood Sheathing** — 1/2 in. thick, 4 ft wide, wood structural panels. Applied vertically with vertical joints located over studs and staggered 16 in. min from wallboard joints. Horizontal joints are backed with nom 2 by 4 in. wood backing. Attached to the studs with 2 in. long galvanized roofing nails with a 0.122 in. diameter shank and a 3/8 in. diameter head, spaced 6 in. OC at the perimeter of the sheet and 12 in. OC in the field.
  4. **Foamed Plastic\*** — Min 1 in. thick rigid polystyrene insulation, supplied in 4 by 8 ft sheets. Applied vertically with vertical joints located over studs. Attached to studs with 2 in. long galvanized roofing nails with a 0.122 in. diameter shank and a 3/8 in. diameter head, spaced 12 in. OC.

**OC CELFORTEC INC**

**KOPPERS INC**

**OWENS CORNING SPECIALTY & FOAM**

**PRODUCTS**

**PACTIV CORP**

**THE DOW CHEMICAL CO**

4A. **Foamed Plastic\*** — Min 1 in. thick rigid polyisocyanurate insulation, supplied in 4 by 8 sheets. Applied vertically with vertical joints located over studs. Attached to studs with 2 in. long galv roofing nails with a 0.122 in. diam shank and a 3/8 in. diam head, spaced 12 in. OC.

**THE DOW CHEMICAL CO** — Type Thermax

5. **Insulation** — 3-1/2 in. thick kraft paper faced glass fiber insulation. Supplied in rolls 15 in. wide. Density to be nom 0.75 lb/ft<sup>3</sup>. Placed in stud cavities and secured to studs with steel staples spaced nom 12 in. O.C.

5A. **Fiber, Sprayed\*** — As an alternate to Insulation (Item 5) — Spray applied cellulose material. The fiber is applied with water to completely fill the enclosed cavity in accordance with the application instructions supplied with the product. Nominal dry density of 3.0 lb/ft<sup>3</sup>. Alternate application method: The fiber is applied with U.S. Greenfiber LLC Type AD100 hot melt adhesive at a nominal ratio of one part adhesive to 6.6 parts fiber to completely fill the enclosed cavity in accordance with the application instructions supplied with the product. Nominal dry density of 2.5 lb/ft<sup>3</sup>.

**U S GREENFIBER L L C** — Cocoon2 Stabilized or Cocoon-FRM (Fire Rated Material)

\*Bearing the UL Classification Mark

Last Updated on 2004-12-17

---

[Questions?](#)

[Notice of Disclaimer](#)

[Page Top](#)

Copyright © 2006 Underwriters Laboratories Inc.®

The appearance of a company's name or product in this database does not in itself assure that products so identified have been manufactured under UL's Follow-Up Service. Only those products bearing the UL Mark should be considered to be Listed and covered under UL's Follow-Up Service. Always look for the Mark on the product.

UL permits the reproduction of the material contained in the Online Certification Directory subject to the following conditions: 1. The Guide Information, Designs and/or Listings (files) must be presented in their entirety and in a non-misleading manner, without any manipulation of the data (or drawings). 2. The statement "Reprinted from the Online Certifications Directory with permission from Underwriters Laboratories Inc." must appear adjacent to the extracted material. In addition, the reprinted material must include a copyright notice in the following format: "Copyright © 2006 Underwriters Laboratories Inc.®"

An independent organization working for a safer world with integrity, precision and knowledge.

