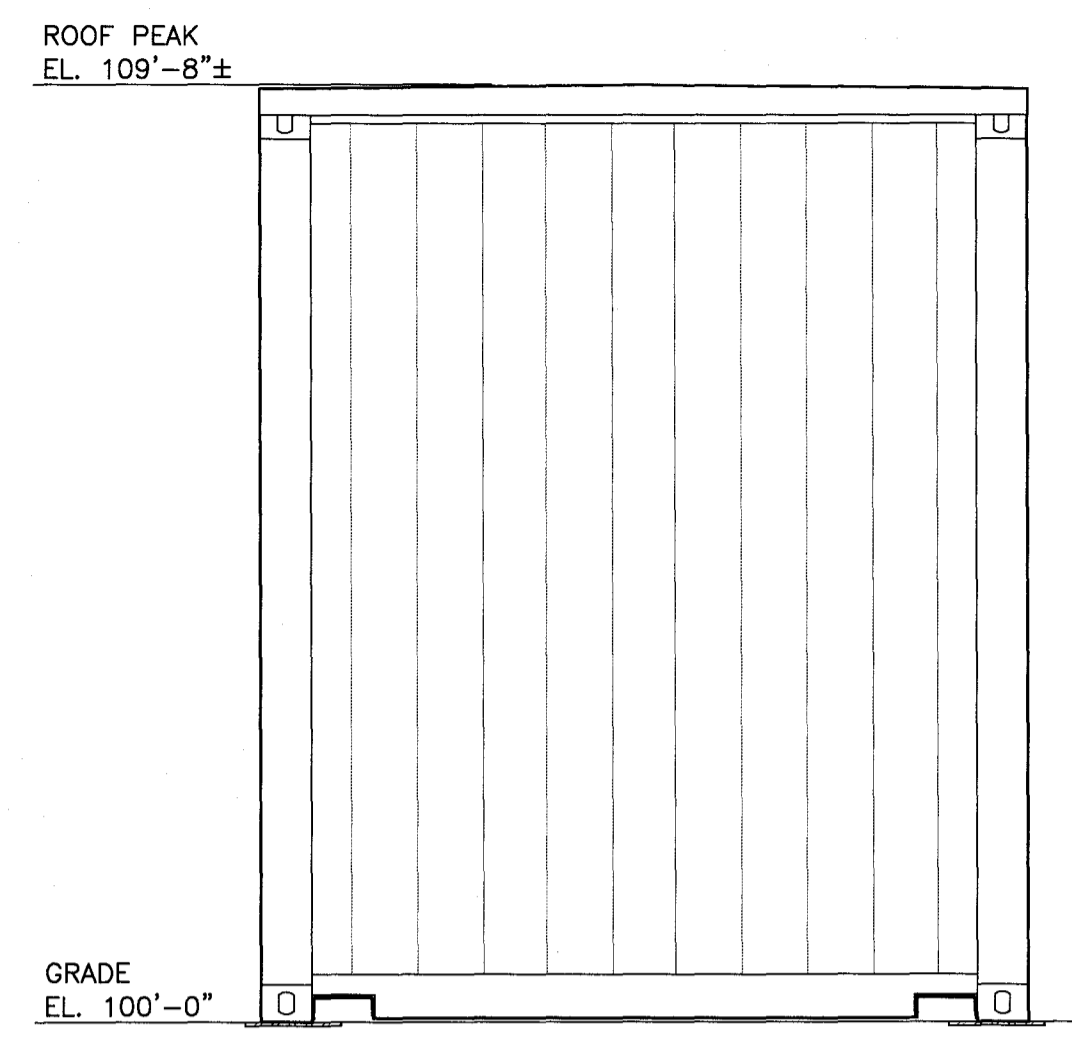
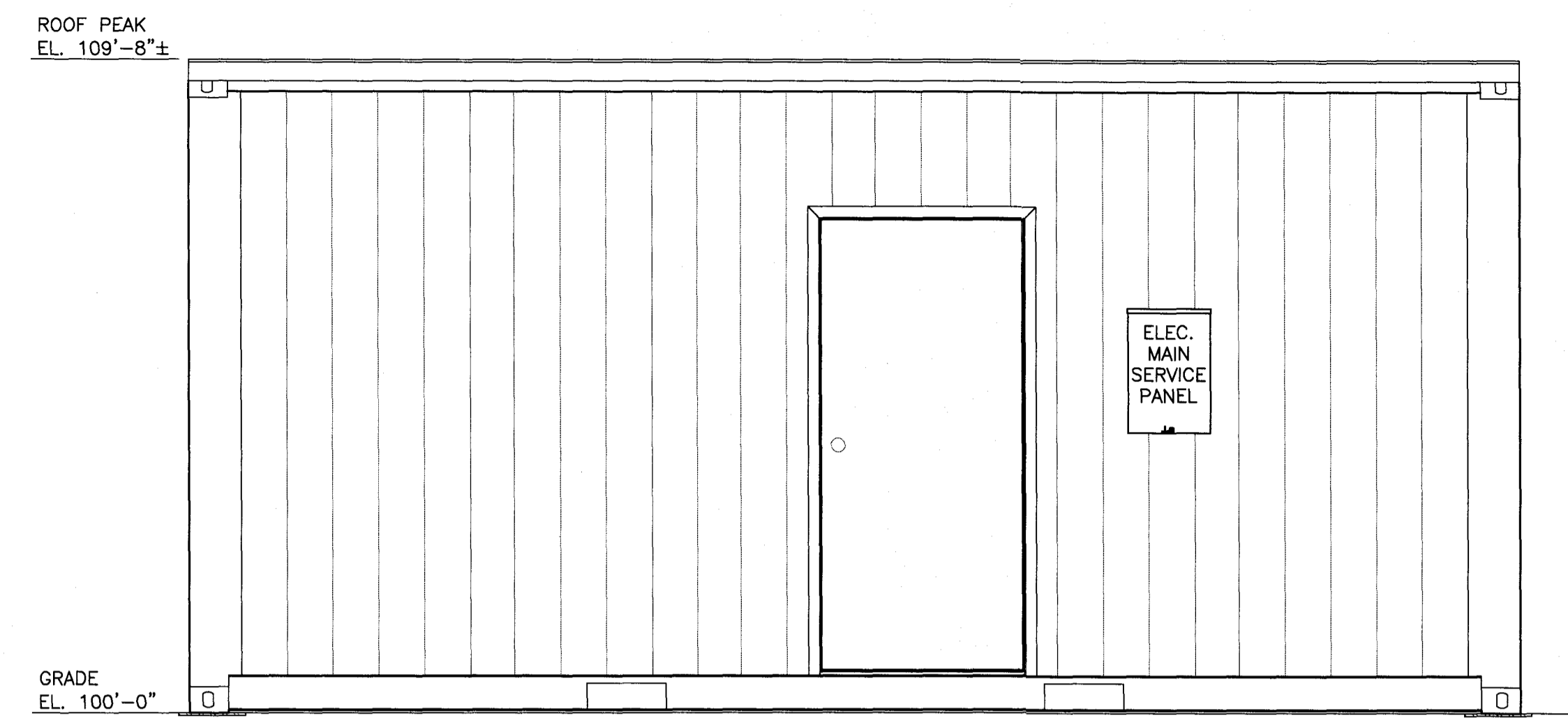


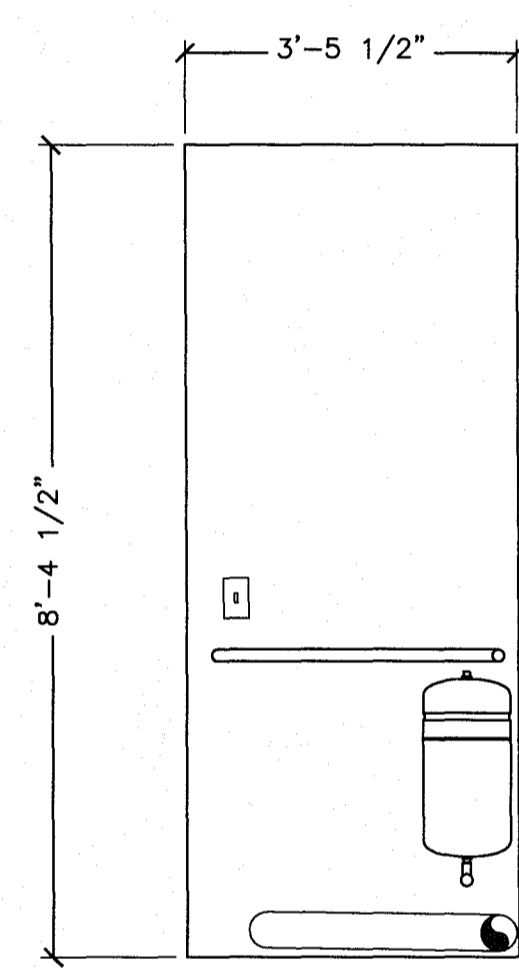
FRONT VIEW ELEVATION 1
SCALE: 1/2 = 1'-0"



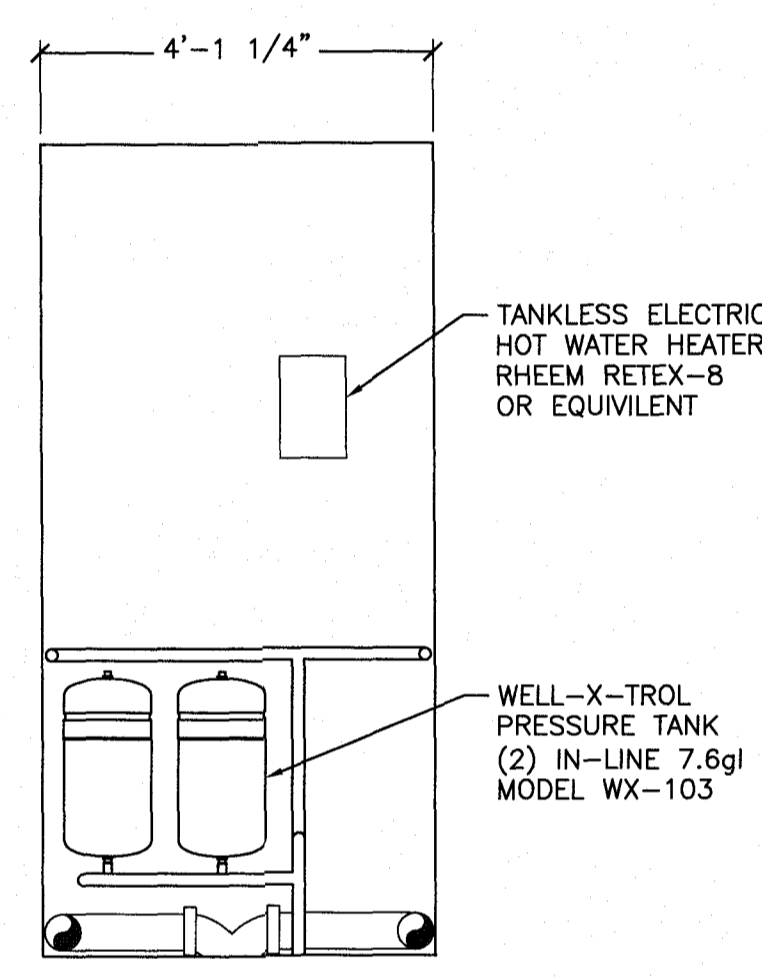
RIGHT SIDE ELEVATION 2
SCALE: 1/2 = 1'-0"



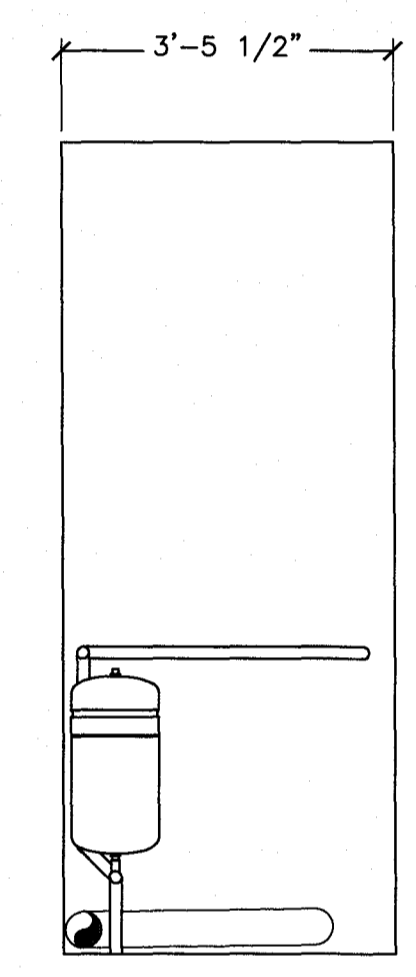
BACK VIEW ELEVATION 3
SCALE: 1/2 = 1'-0"



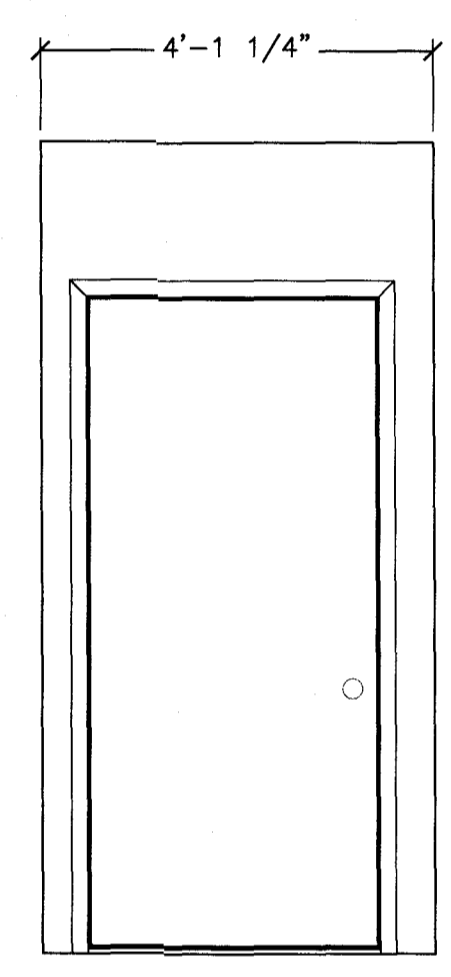
RIGHT SIDE WALL 3A
A1



BACK WALL 3B
A1

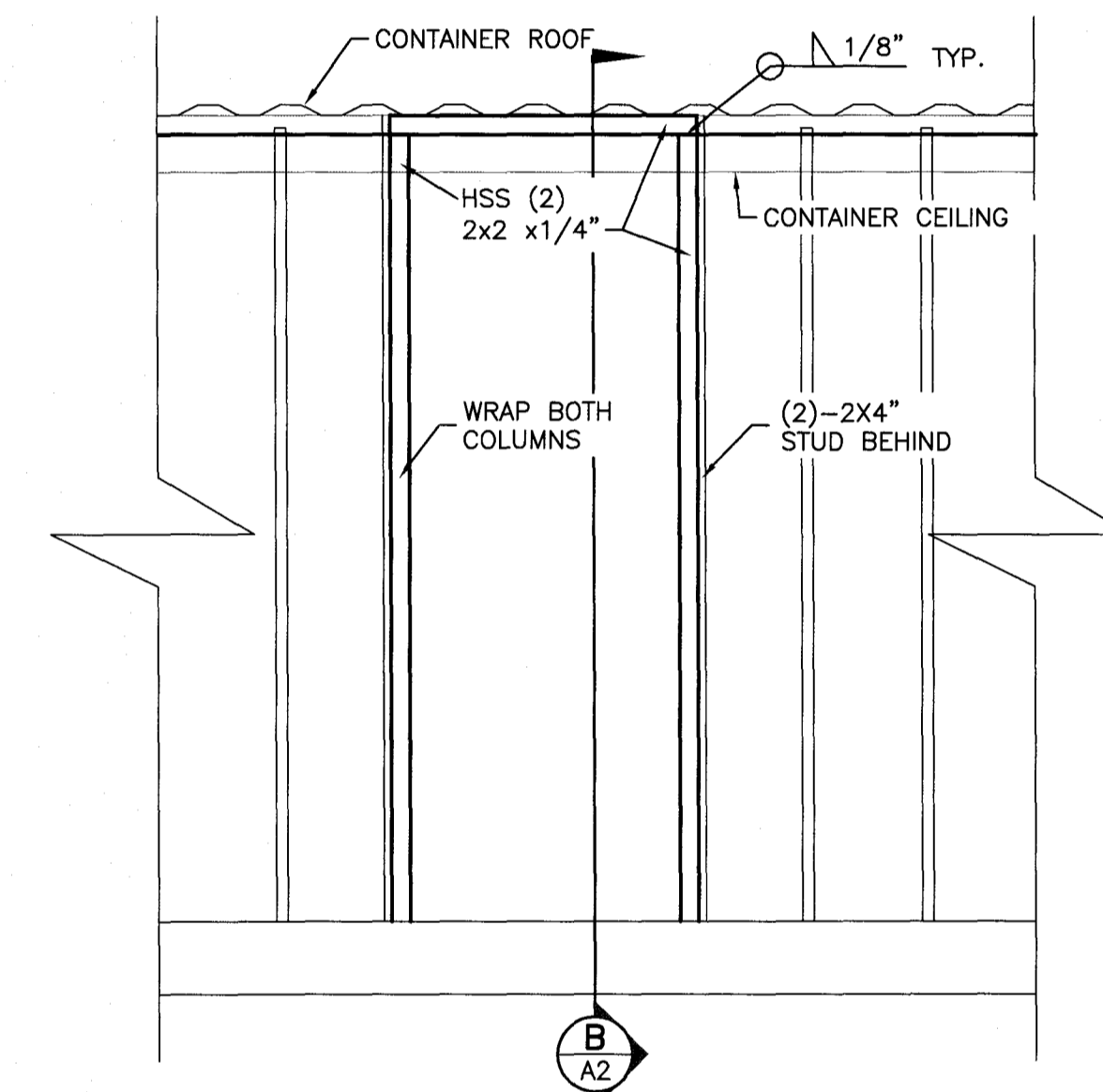


LEFT SIDE WALL 3C
A1

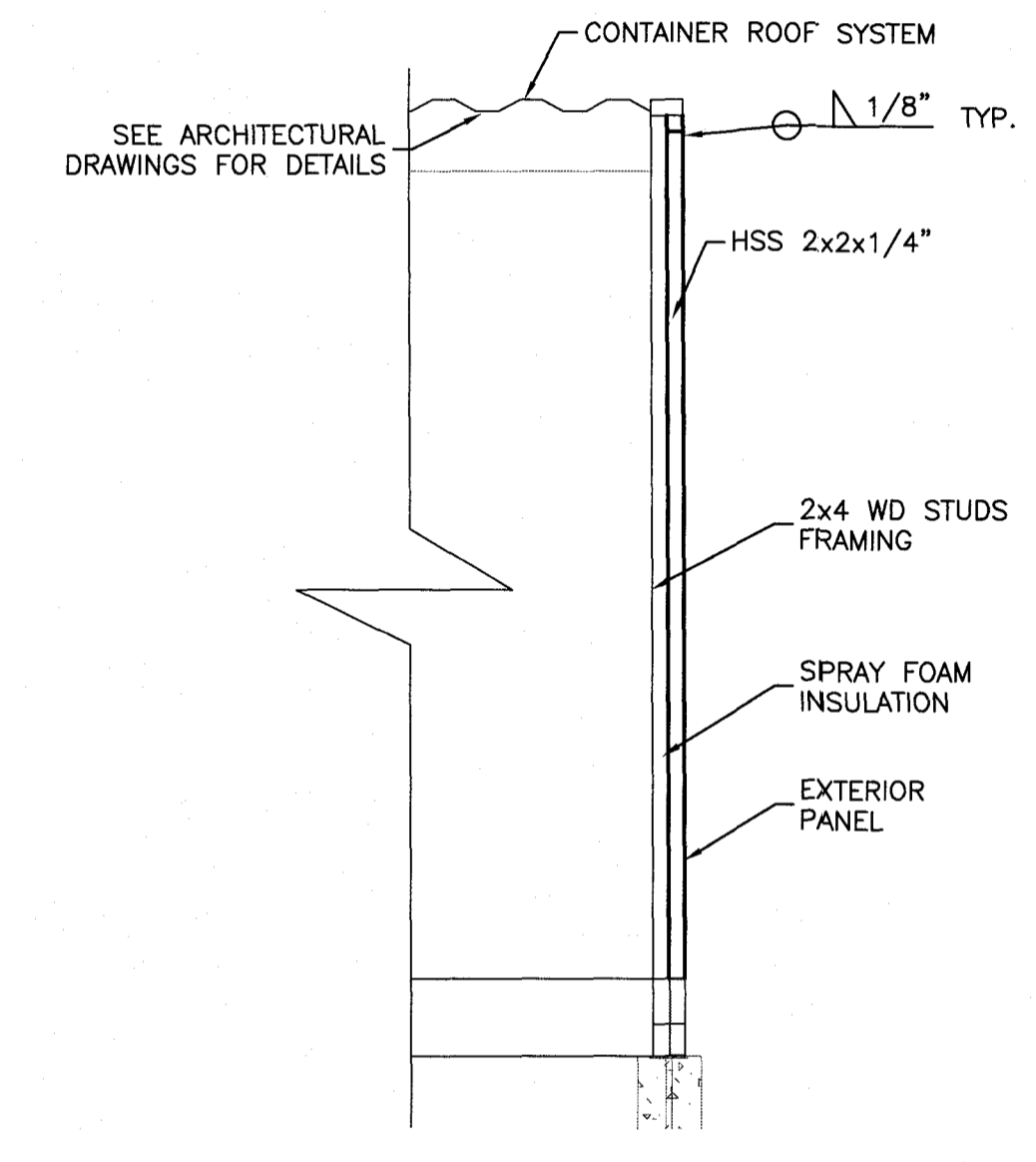


ENTRANCE WALL 3D
A1

MECHANICAL ROOM 3
SCALE: 1/2 = 1'-0"

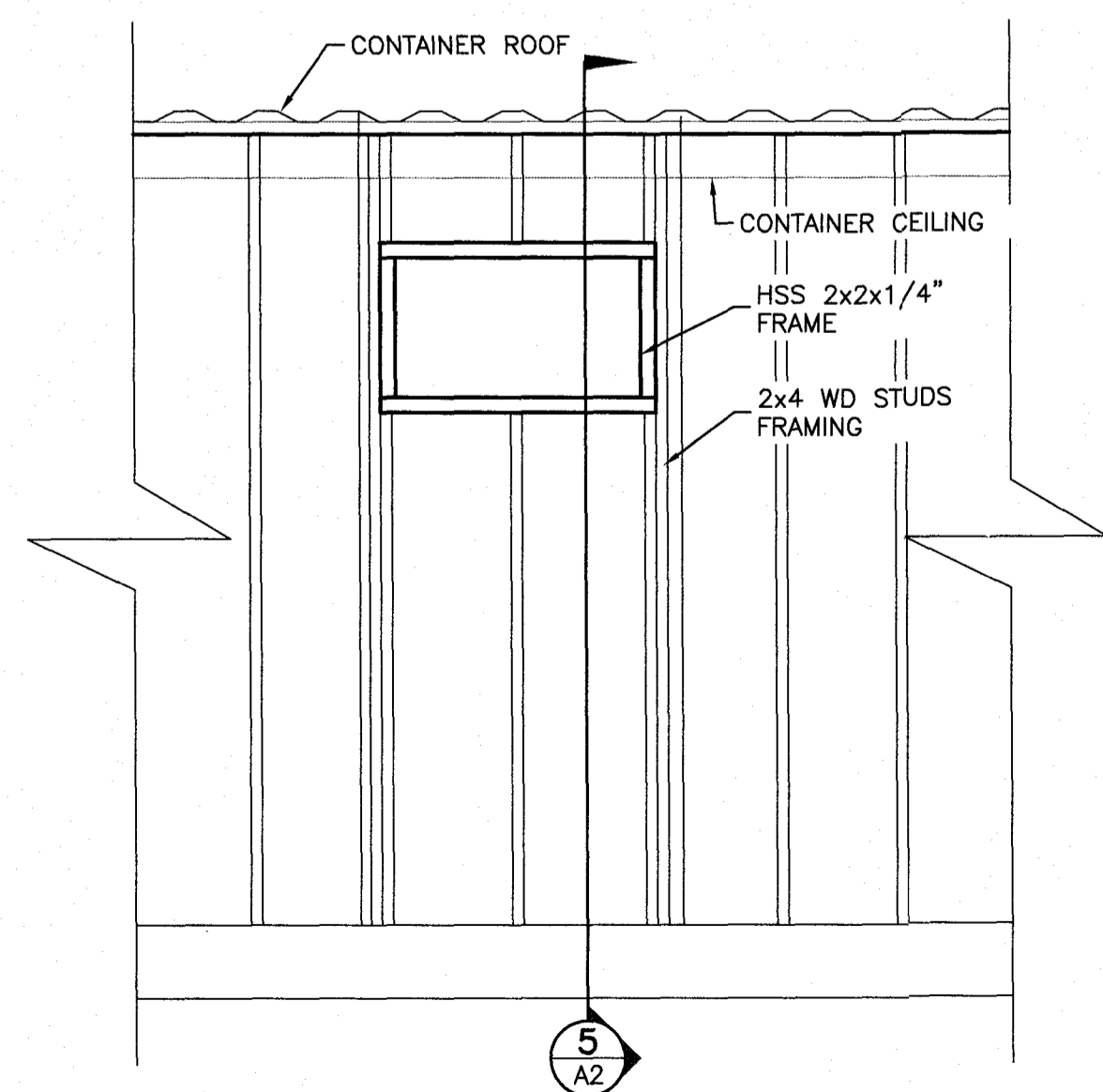


OPENING VIEW "A"

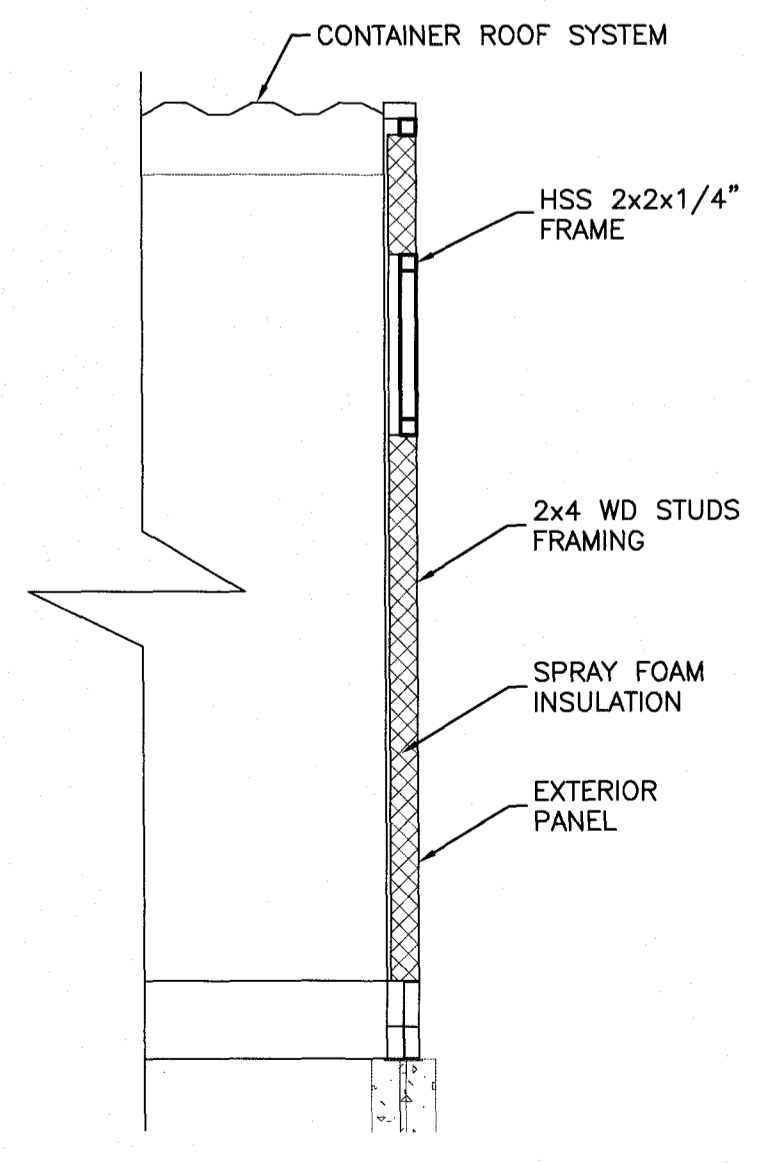


SECTION VIEW "B"

TYP. DOOR FRAMING 4
SCALE: 1/2 = 1'-0"

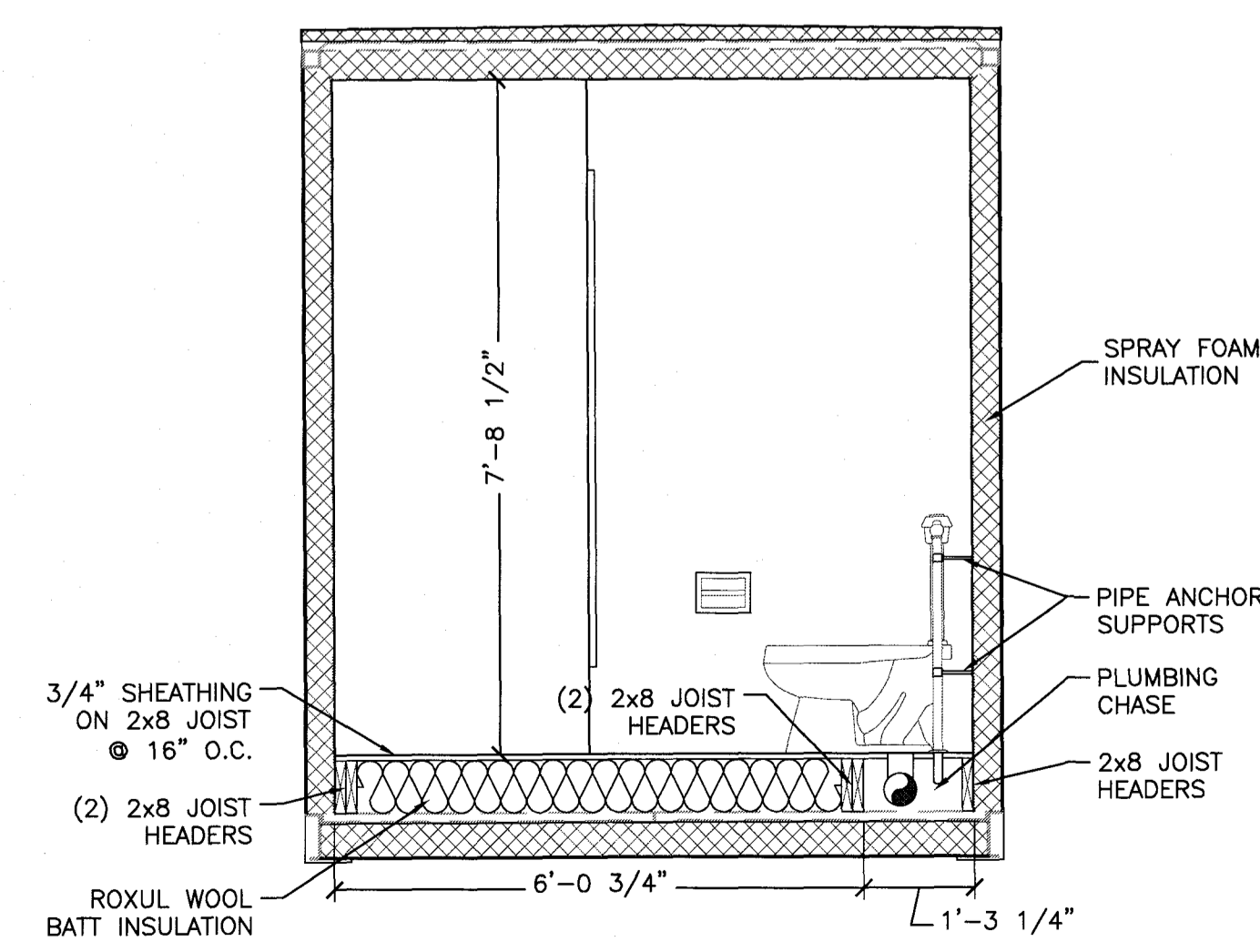


OPENING VIEW "C"

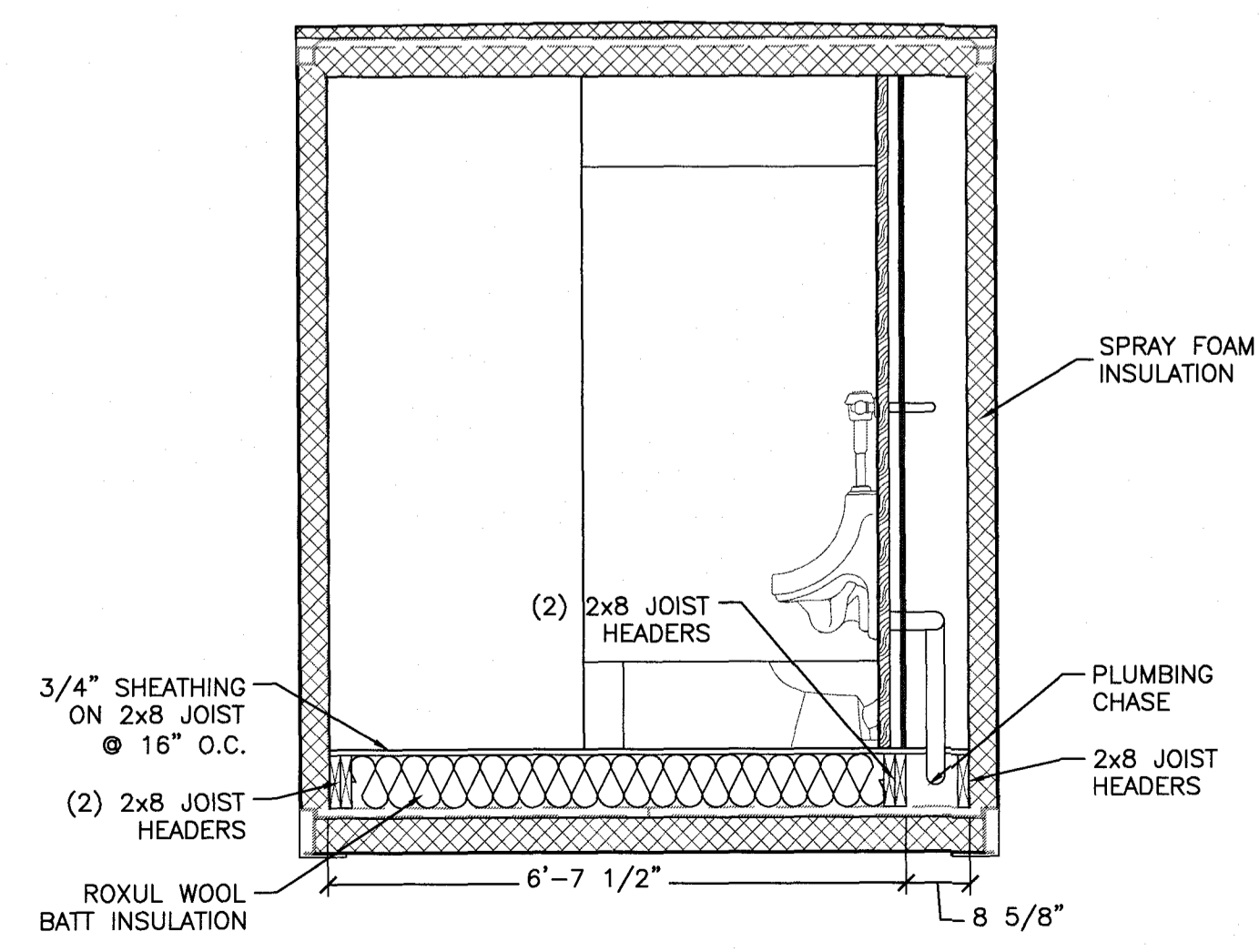


SECTION VIEW "D"

TYP. WINDOW FRAMING 5
SCALE: 1/2 = 1'-0"



TYP. TOILET SECTION 6
SCALE: 1/2 = 1'-0"



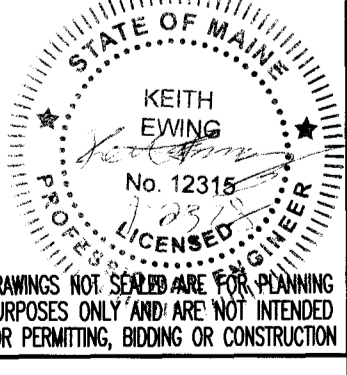
TYP. URINAL SECTION 7
SCALE: 1/2 = 1'-0"

NO.	DATE	DESCRIPTION
1	11/30/17	UPDATED PLANS AND ELEVATIONS
2	01/09/18	UPDATED SHOW FRAMING DETAILS
3	01/23/18	ADDED SECTION VIEWS

PROJECT NAME: OXFORD ST. SHELTER
BATHROOM & LOCKER CONTAINER
PORTLAND, MAINE
SHEET NAME: ELEVATIONS

DESIGNED: KGE
DRAWN: DFW
CHECKED: KGE
APPROVED: KGE
PLAN DATE: NOV. 21, 2017
DATE ISSUED: NOV. 21, 2017
SCALE: AS SHOWN
PROJECT NO.: 17289
DRAWING NO.: 17289A

Plymouth Engineering, Inc.
P.O. Box 46, 30 Lower Detroit Road
Plymouth, Maine 04989
Tel: (207) 257-8071 Fax: (207) 257-8130
info@plymouthengineering.com
www.plymouthengineering.com



Jun 23, 2018 - 9:12am
 J:\2017\17289 - Portland homeless bath - portland - snapspacesol Drawings\BUILDING\17289A.dwg