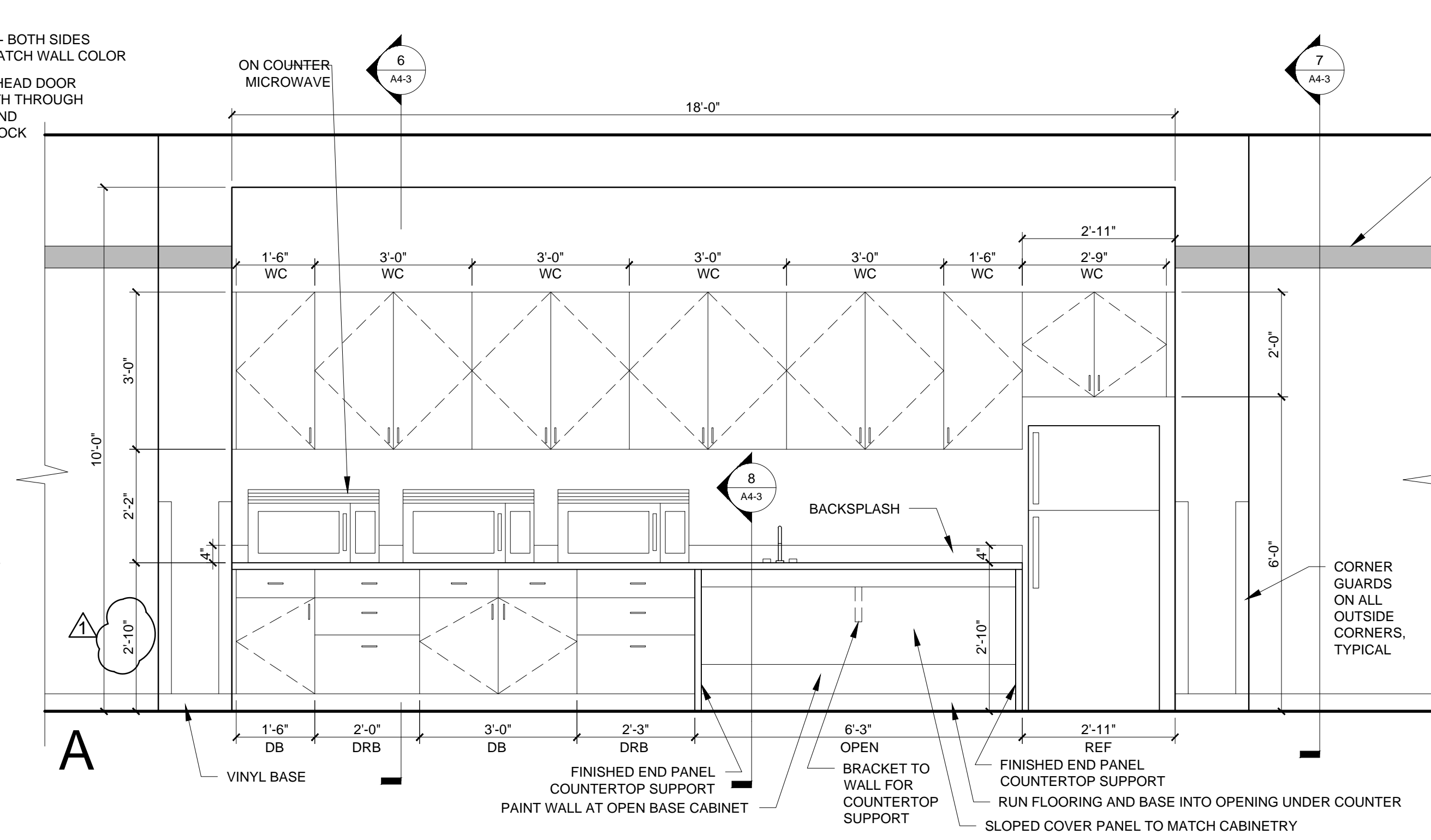
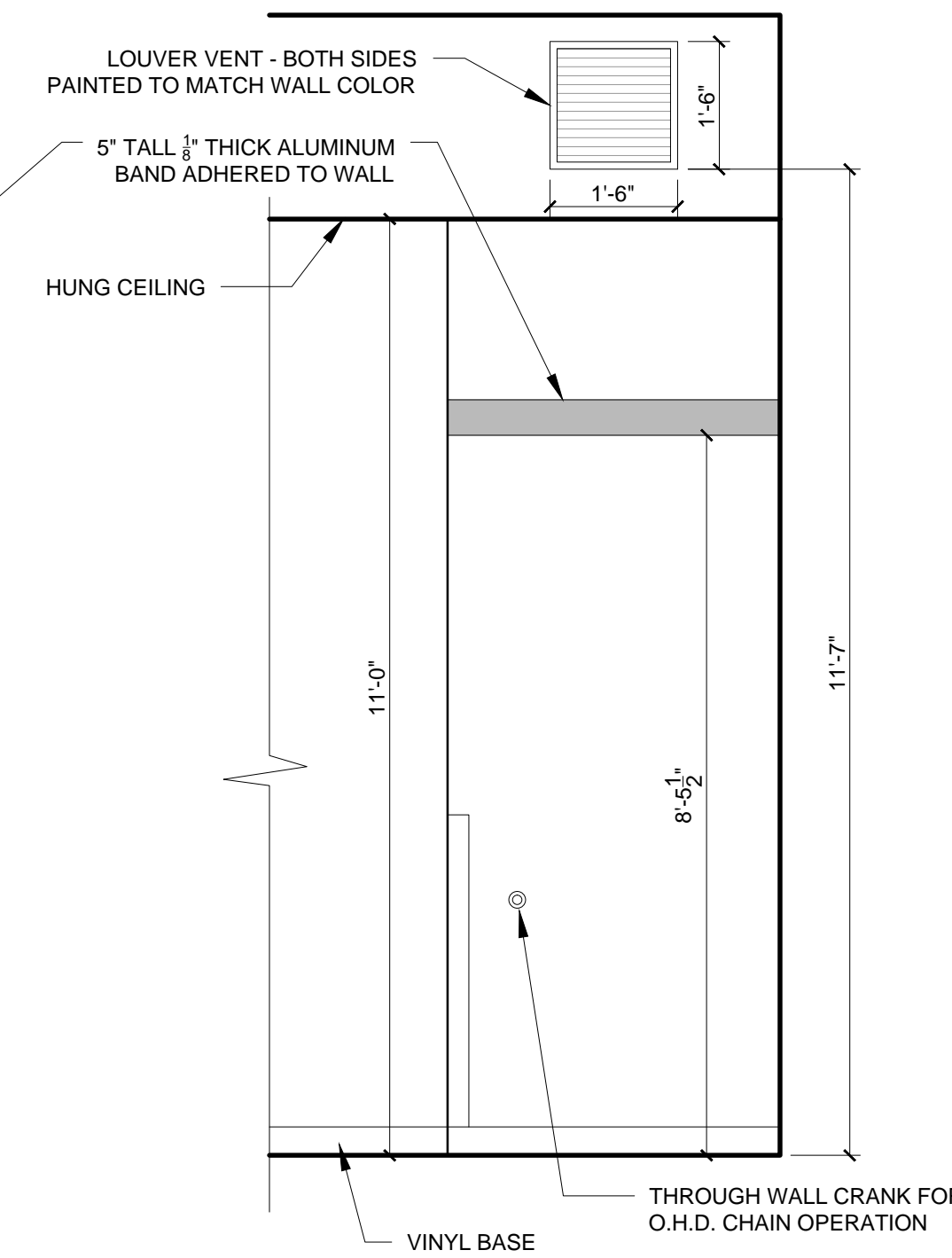


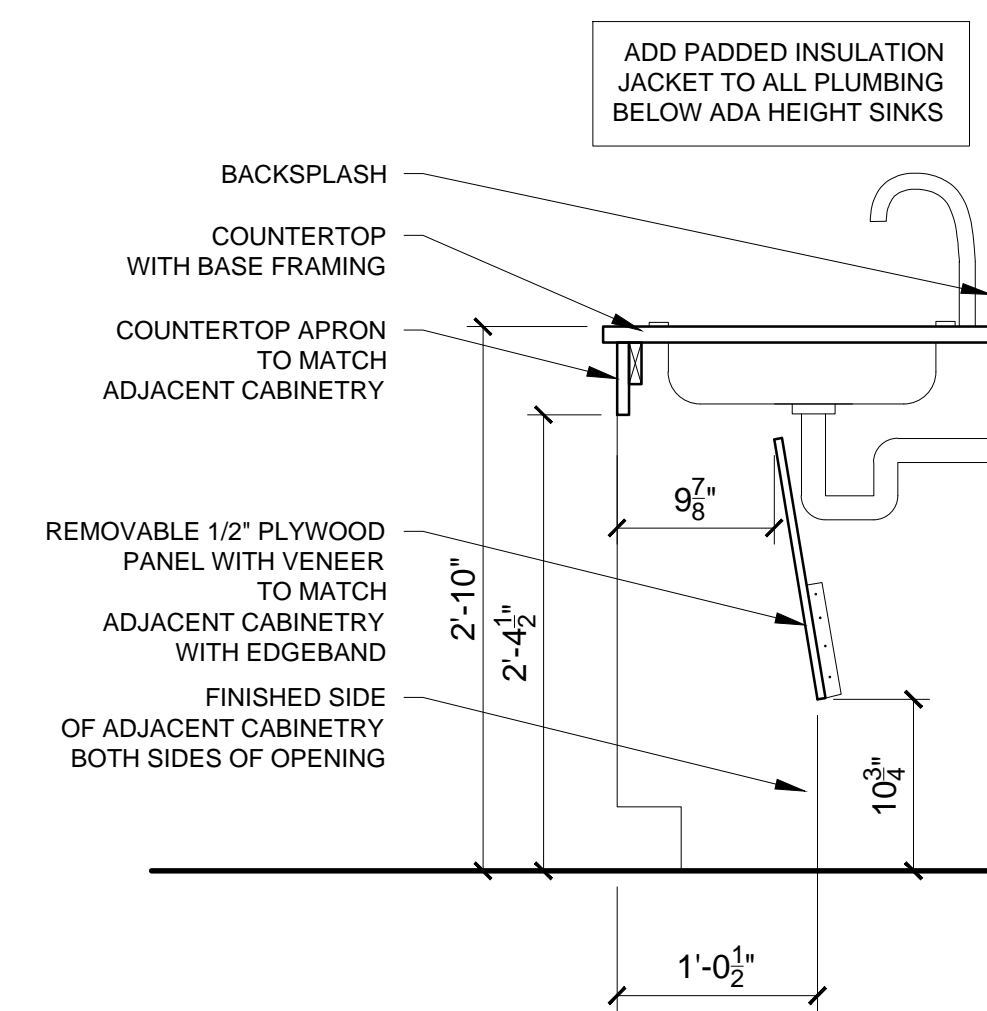
6 GREAT ROOM (109) - SECTION  
 1/2" = 1'-0"



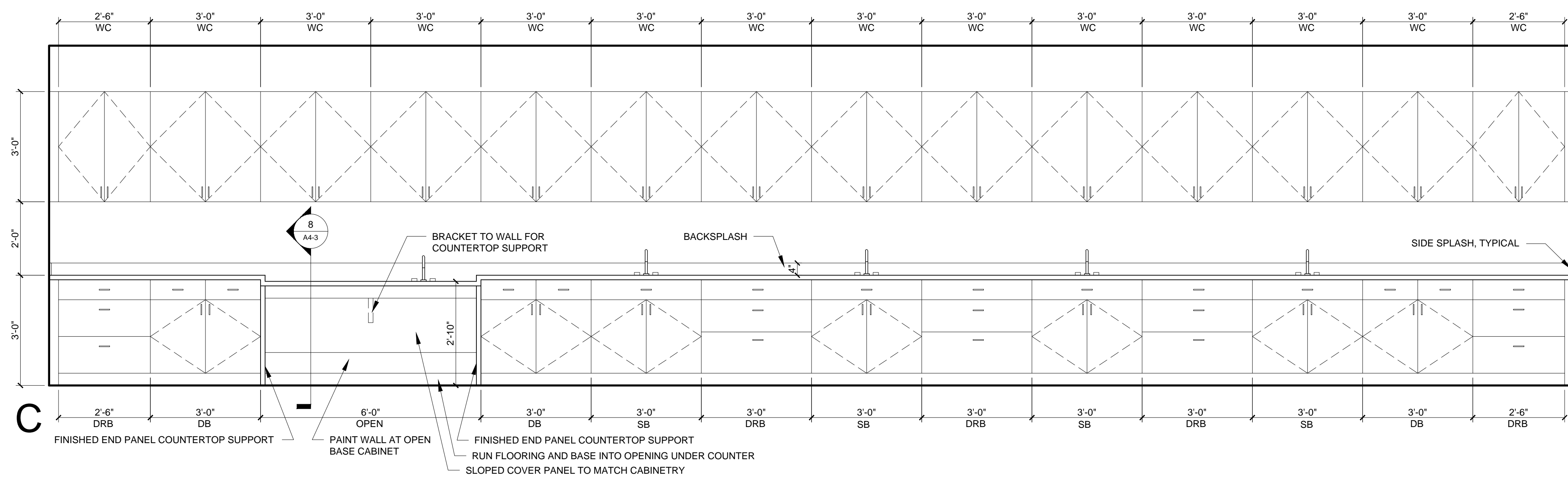
1 GREAT ROOM (109)  
 1/2" = 1'-0"



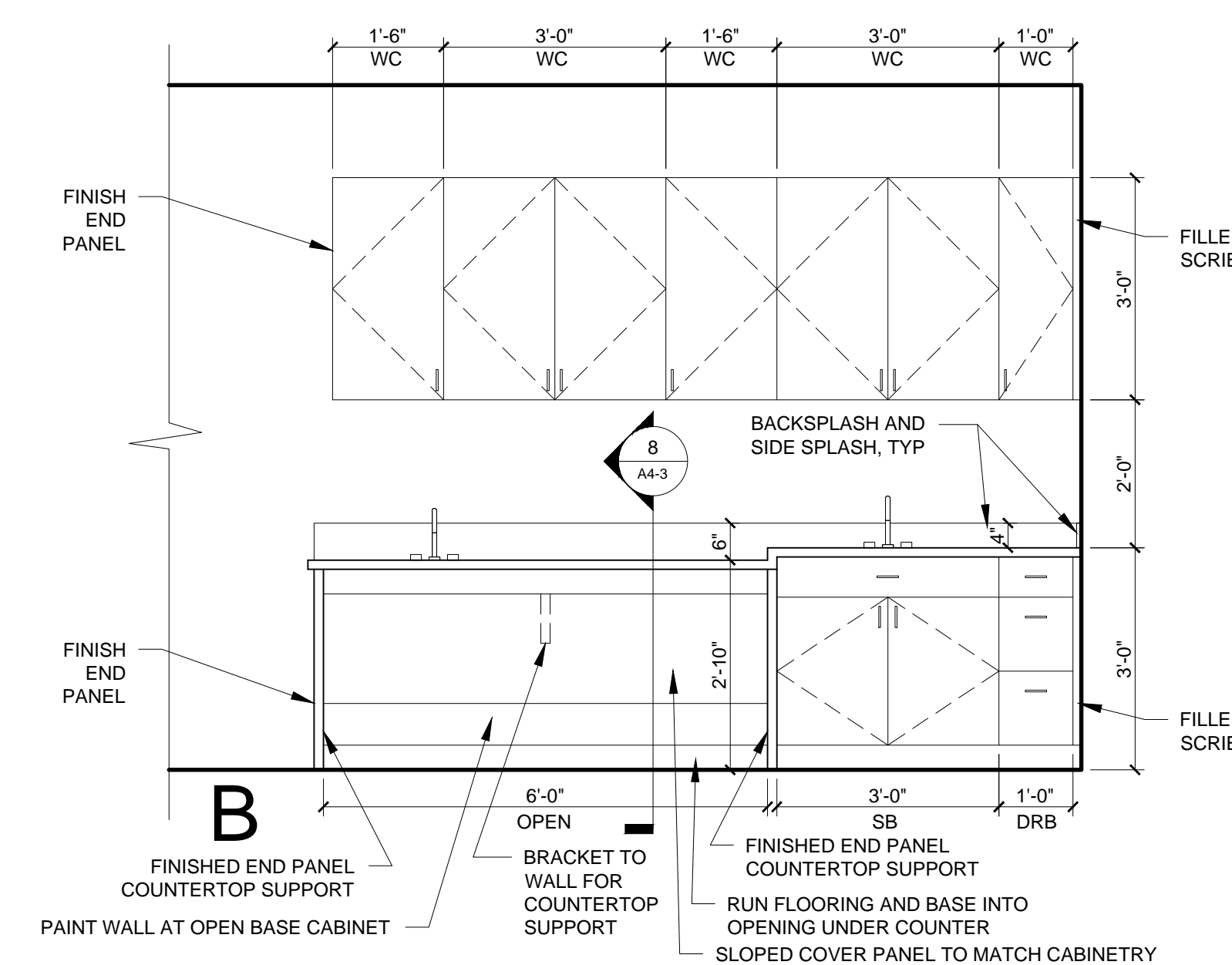
7 GREAT ROOM (109) - ELEVATION  
 1/2" = 1'-0"



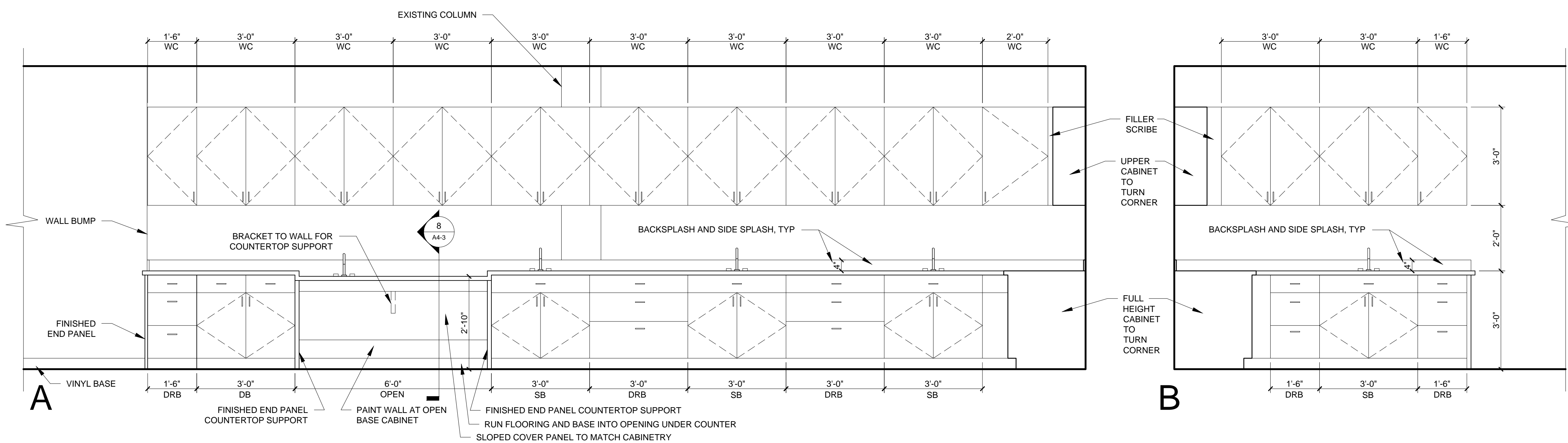
8 SECTION DETAIL THROUGH ADA SINK / COUNTER  
 1" = 1'-0"



3 SCIENCE LAB FIVE (110)  
 1/2" = 1'-0"



5 PHYSICS / ELECTRONICS LAB (119)  
 1/2" = 1'-0"



4 SCIENCE LAB FOUR (111)  
 1/2" = 1'-0"

- NOTES**
- 1) G.C. TO CONFIRM AND COORDINATE ALL ROUGH FRAMING DIMENSIONS FOR BUILT-IN FIXTURES ETC. G.C. TO CONFIRM AND COORDINATE ALL CABINETY AND APPLIANCES DIMENSIONS
  - 2) PROVIDE APPROPRIATE BLOCKING IN WALLS BEHIND ALL FIXTURES, PARTITIONS AND ACCESSORIES. BLOCKING FOR GRAB BARS TO BE PROVIDED IN WALLS OF BATHROOMS
  - 3) PROVIDE MOISTURE RESISTANT GWB AT ALL WALLS AND CEILINGS IN BATHROOMS TYPICAL
  - 4) REFER TO ELECTRICAL AND MECHANICAL DRAWINGS FOR ADDITIONAL INFORMATION REGARDING LIGHTING, DIFFUSERS, ETC.
  - 5) WHERE DROPPED SOFFITS AND CEILINGS ARE SHOWN, THESE ARE IN ADDITION TO THE FIRE RATED GWB CEILING ABOVE WHICH IS PART OF THE RATED ASSEMBLY
  - 6) WHERE PLUMBING VALVES ARE LOCATED IN FIRE RATED WALLS, PROVIDE FIRE RATED BOX IN WALL FOR VALVE TO BE INSTALLED WITHIN

**CABINETY AND APPLIANCE ABBREVIATIONS**

DB	= DRAWER BASE
DRB	= DOOR BASE
SB	= SINK BASE
WC	= WALL CABINET
DW	= DISHWASHER
REF	= REFRIGERATOR