

© 2017 RYAN SENATORE ARCHITECTURE

BAXTER ACADEMY
INTERIOR FIT-UP
185 LANCASTER STREET, PORTLAND, MAINE



RYAN SENATORE ARCHITECTURE
565 CONGRESS STREET
PORTLAND, MAINE 04101
207-650-0414
senatore@rsaarchitecture.com

CONSULTANTS:

REVISIONS:

DATE: 31 JANUARY 2017

PROJECT No. 1648

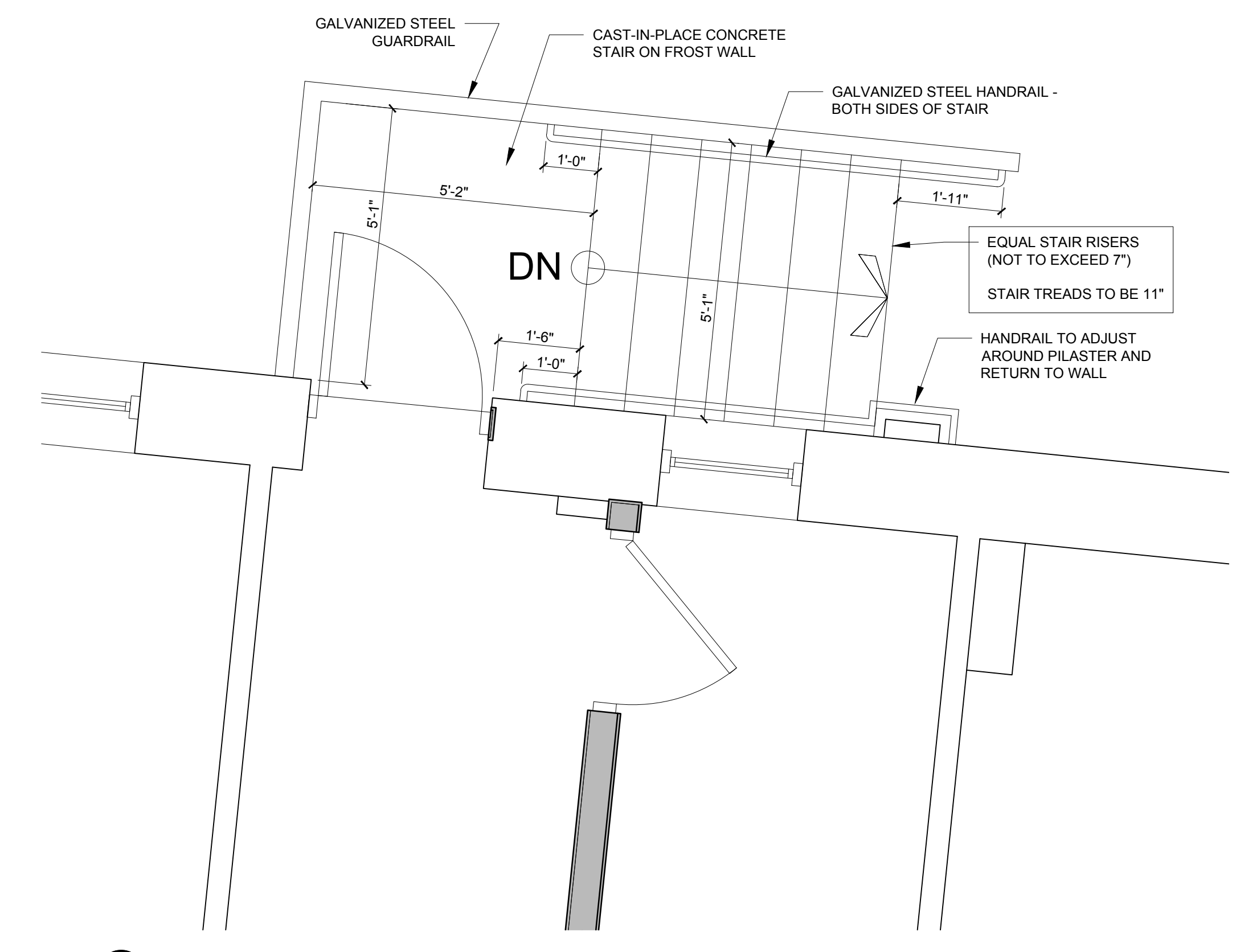
DRAWN BY: RRT, RJS

CHECKED BY: RJS

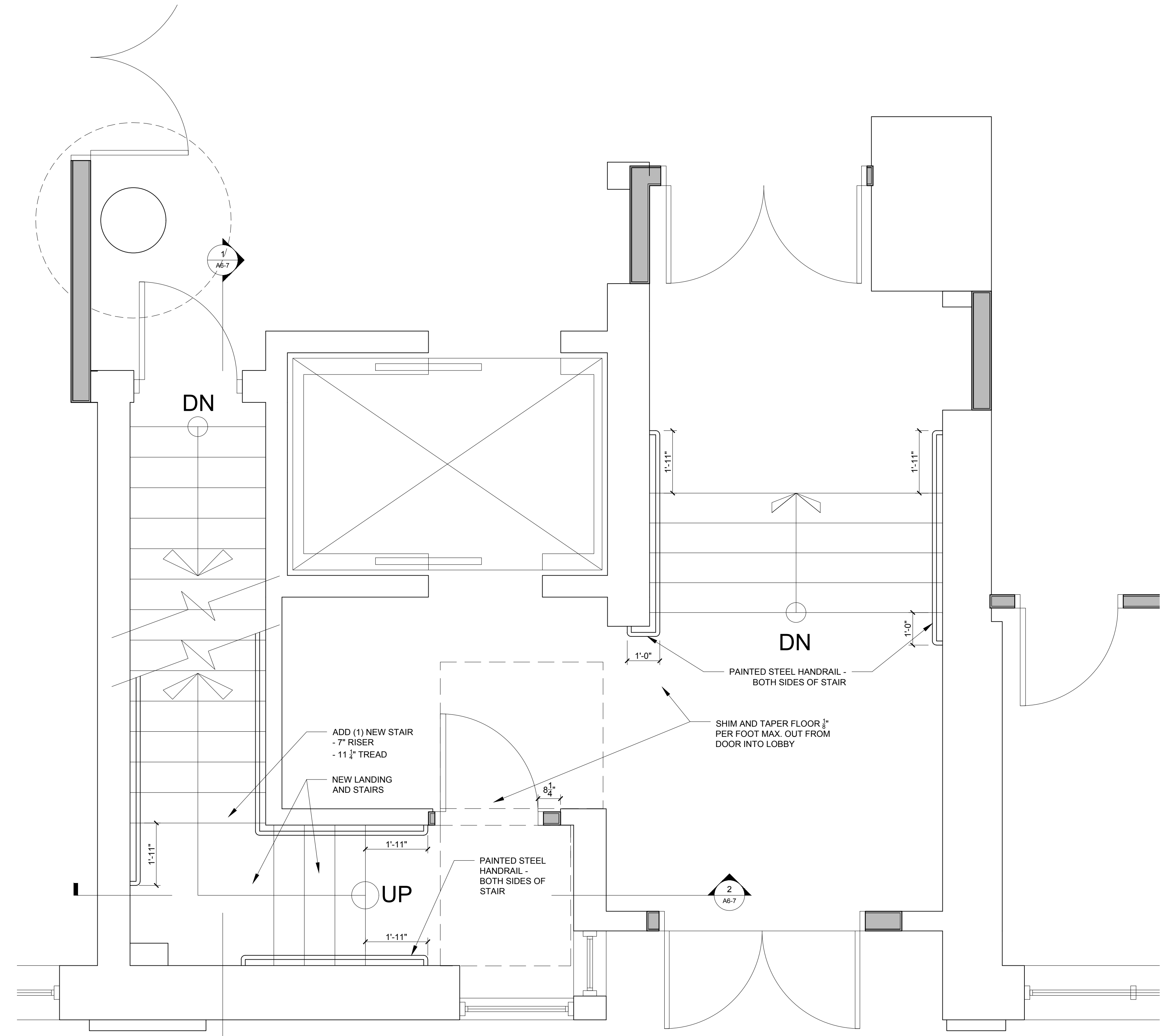
SCALE: AS NOTED

SHEET TITLE:
ENLARGED STAIR PLANS AND TYPICAL DETAILS

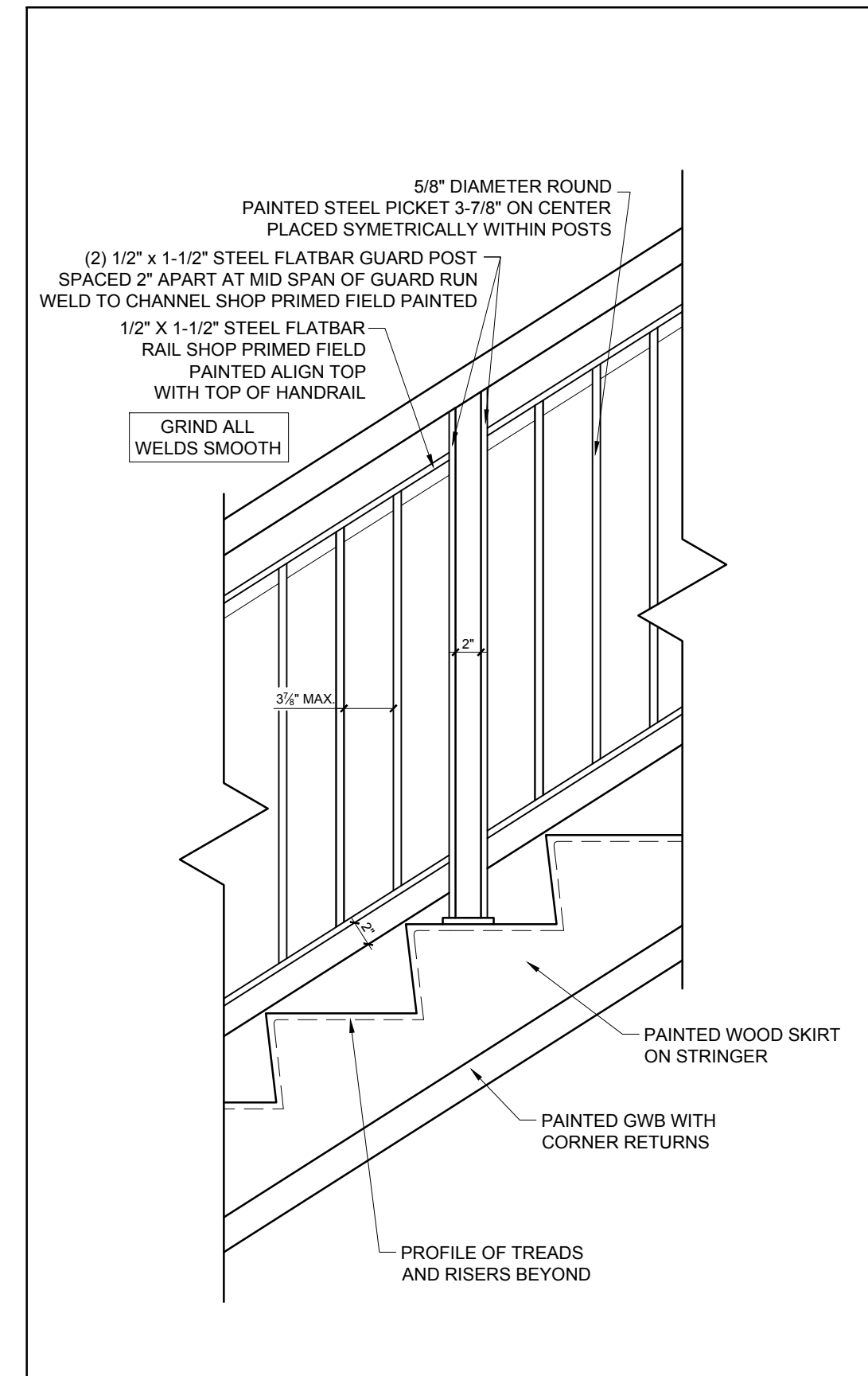
A6-0



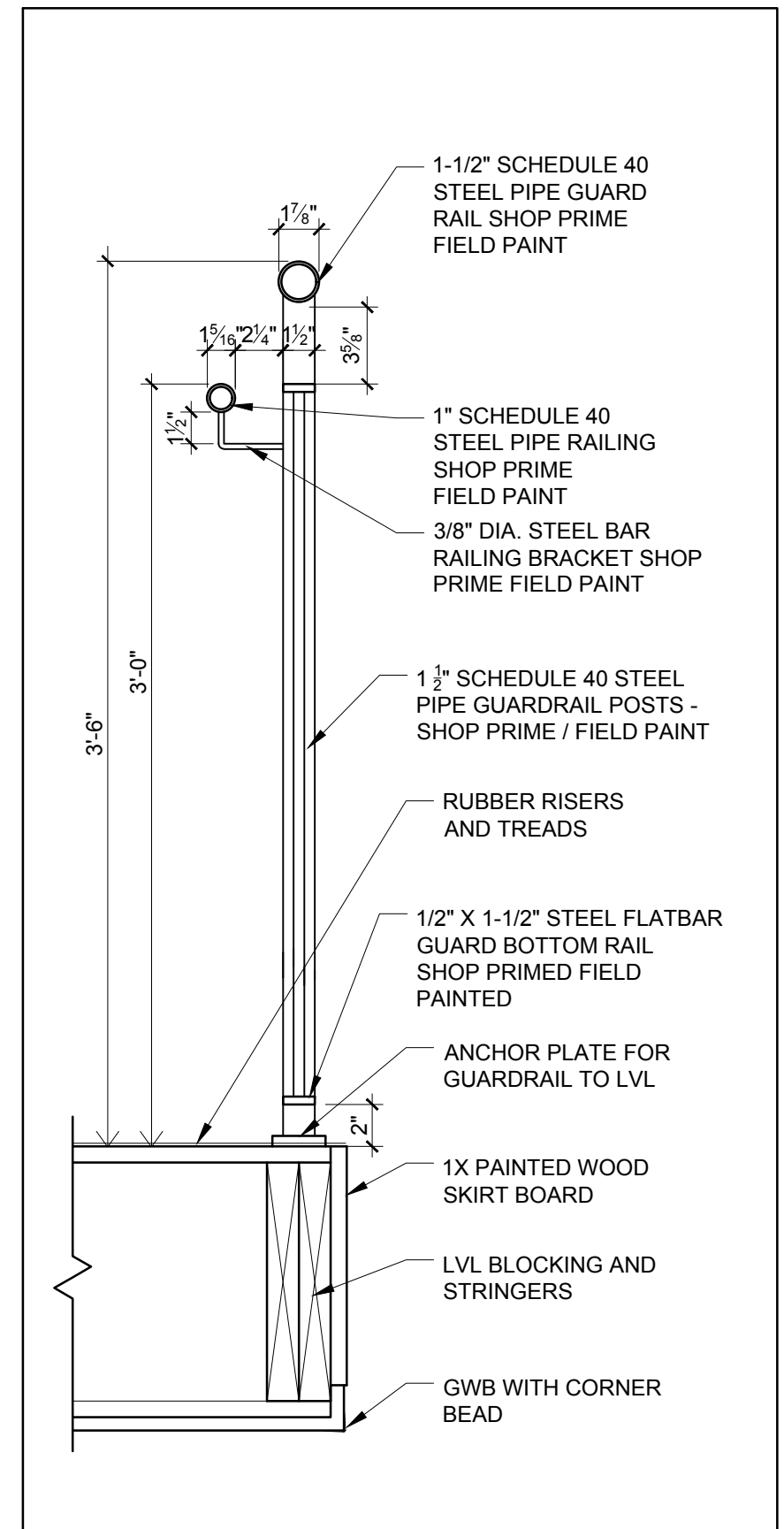
2 EXTERIOR EGRESS STAIR PLAN
1/2" = 1'-0"



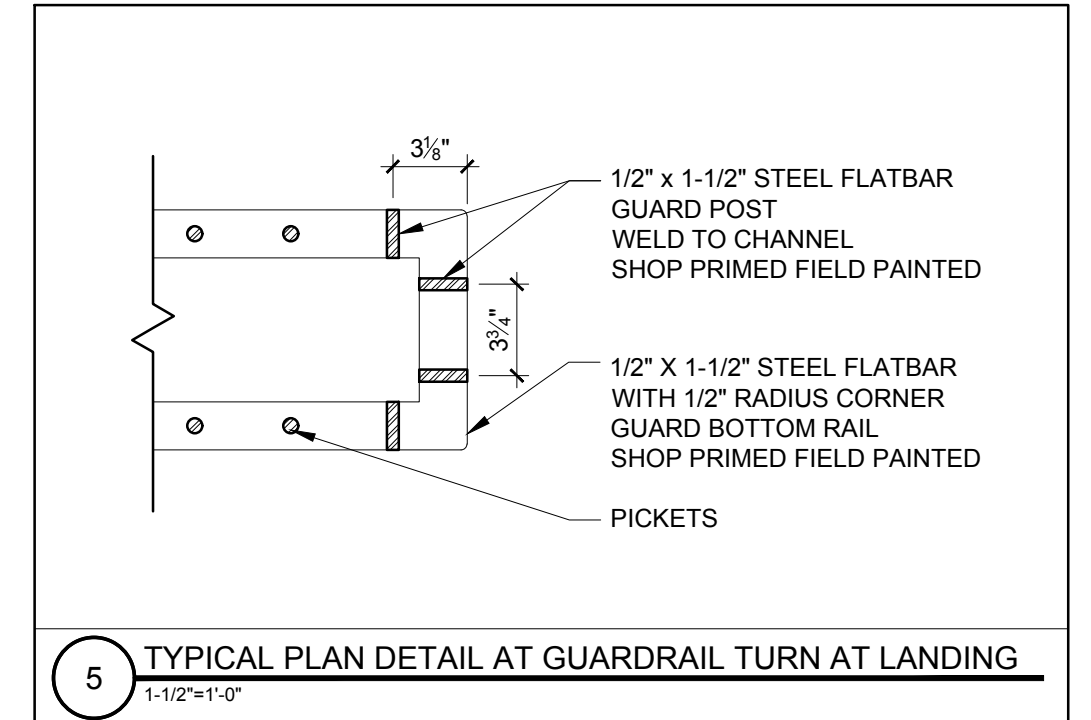
1 VESTIBULE 100 AND SOUTH STAIR 100 PLAN
1/2" = 1'-0"



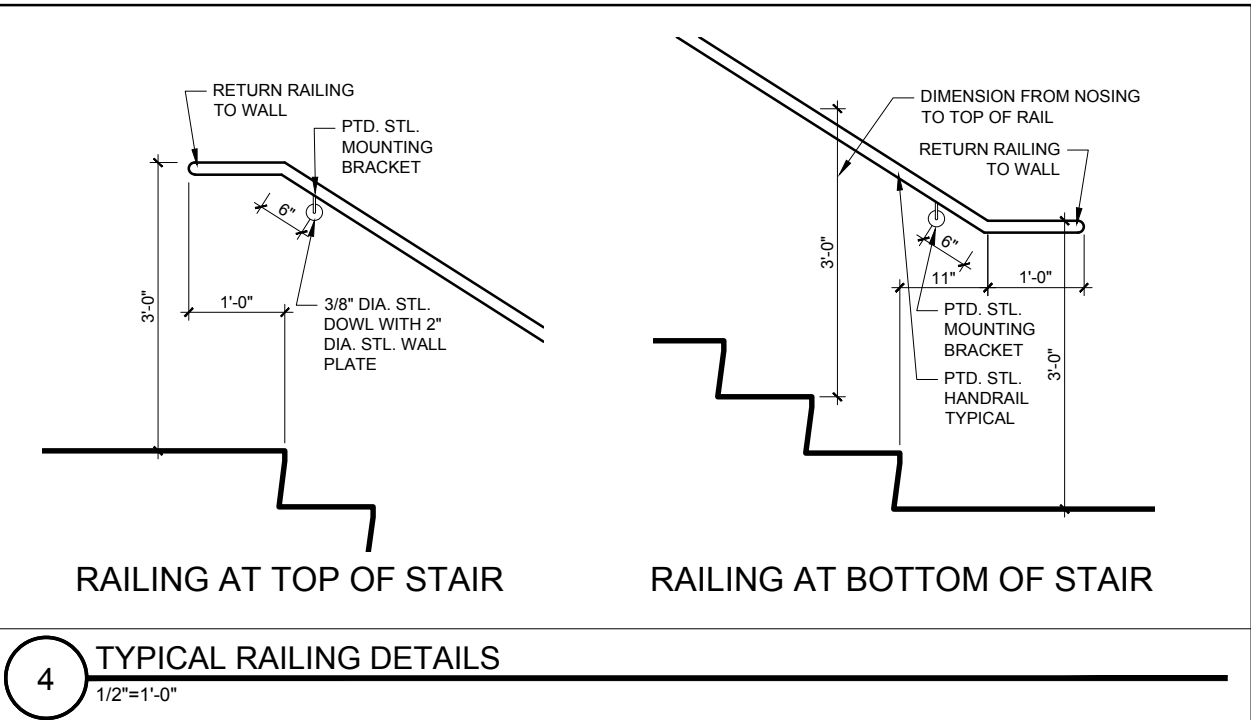
7 GUARD RAIL ELEVATION DETAIL
1" = 1'-0"



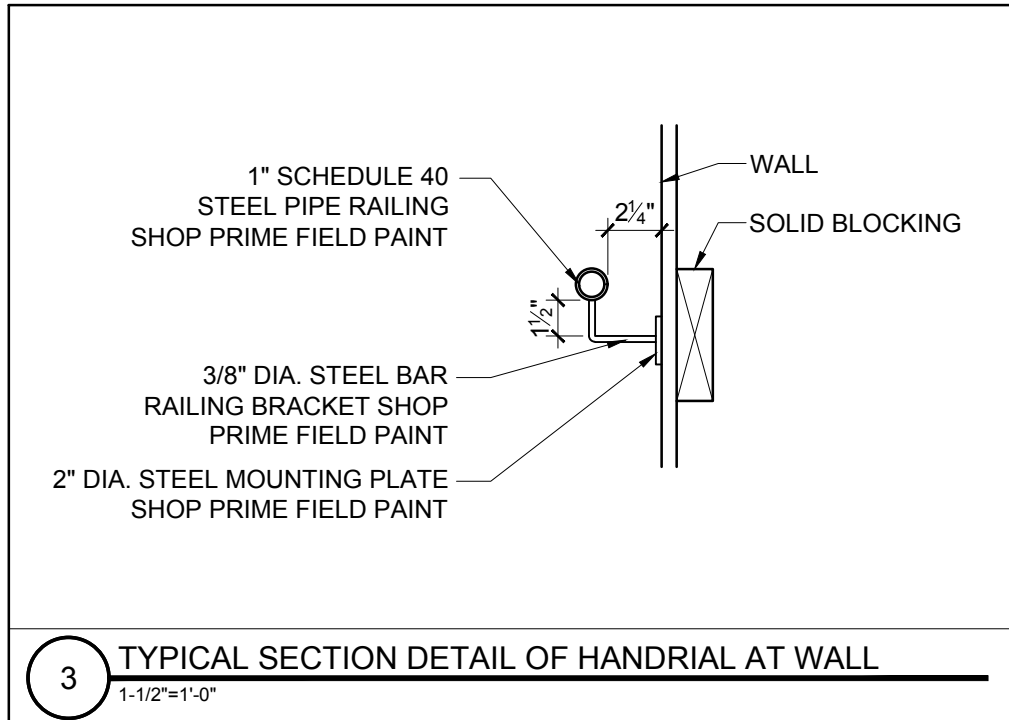
6 GUARD RAIL SECTION DETAIL
1-1/2" = 1'-0"



5 TYPICAL PLAN DETAIL AT GUARDRAIL TURN AT LANDING
1-1/2" = 1'-0"



4 TYPICAL RAILING DETAILS
1-1/2" = 1'-0"



3 TYPICAL SECTION DETAIL OF HANDRIAL AT WALL
1-1/2" = 1'-0"