

© 2017 RYAN SENATORE ARCHITECTURE

BAXTER ACADEMY
INTERIOR FIT-UP
185 LANCASTER STREET, PORTLAND, MAINE



RYAN SENATORE ARCHITECTURE
565 CONGRESS STREET
PORTLAND, MAINE 04101
207-650-0414
senatore@rsaarchitecture.com

CONSULTANTS:

REVISIONS:

DATE: 31 JANUARY 2017

PROJECT No. 1648

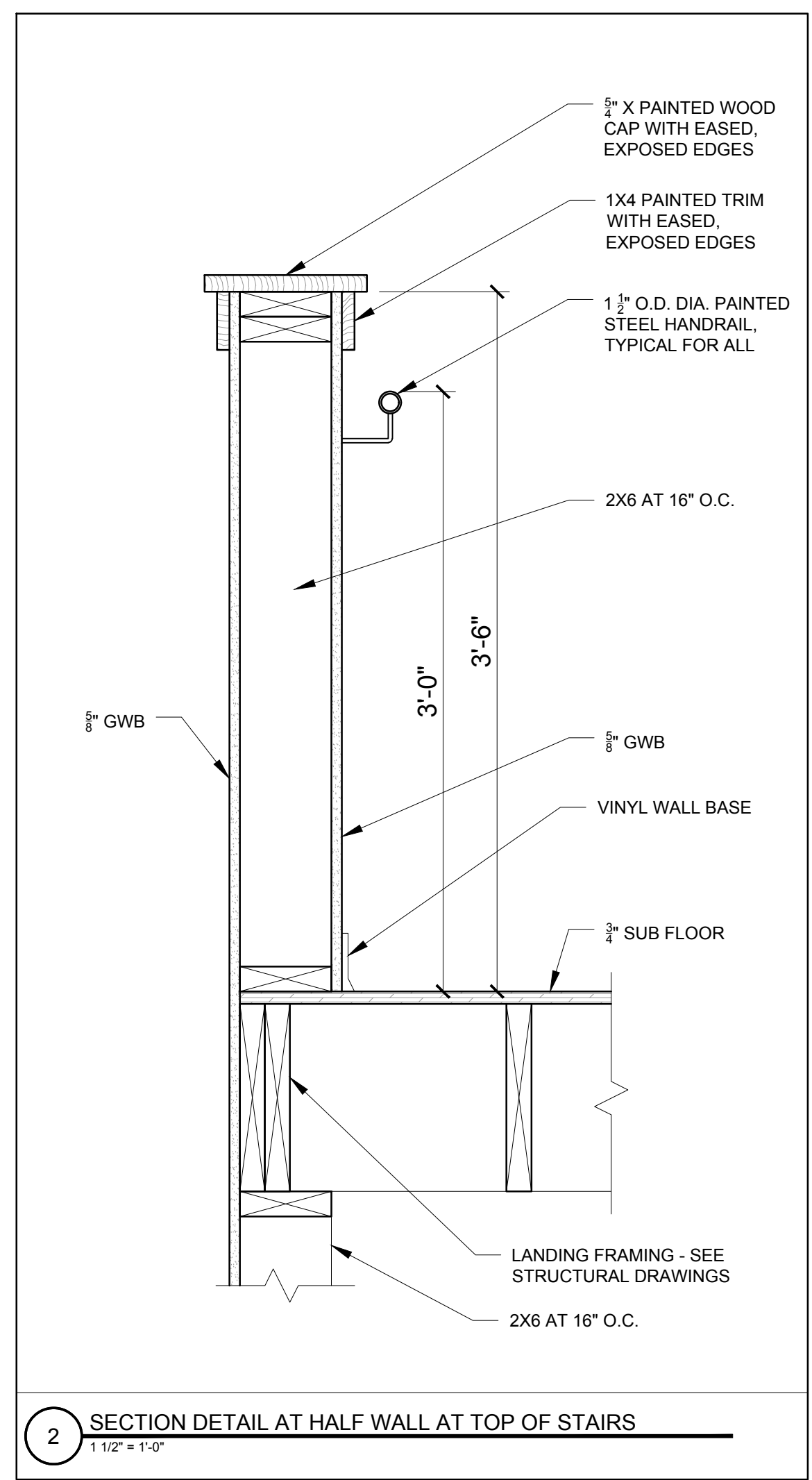
DRAWN BY: RRT, RJS

CHECKED BY: RJS

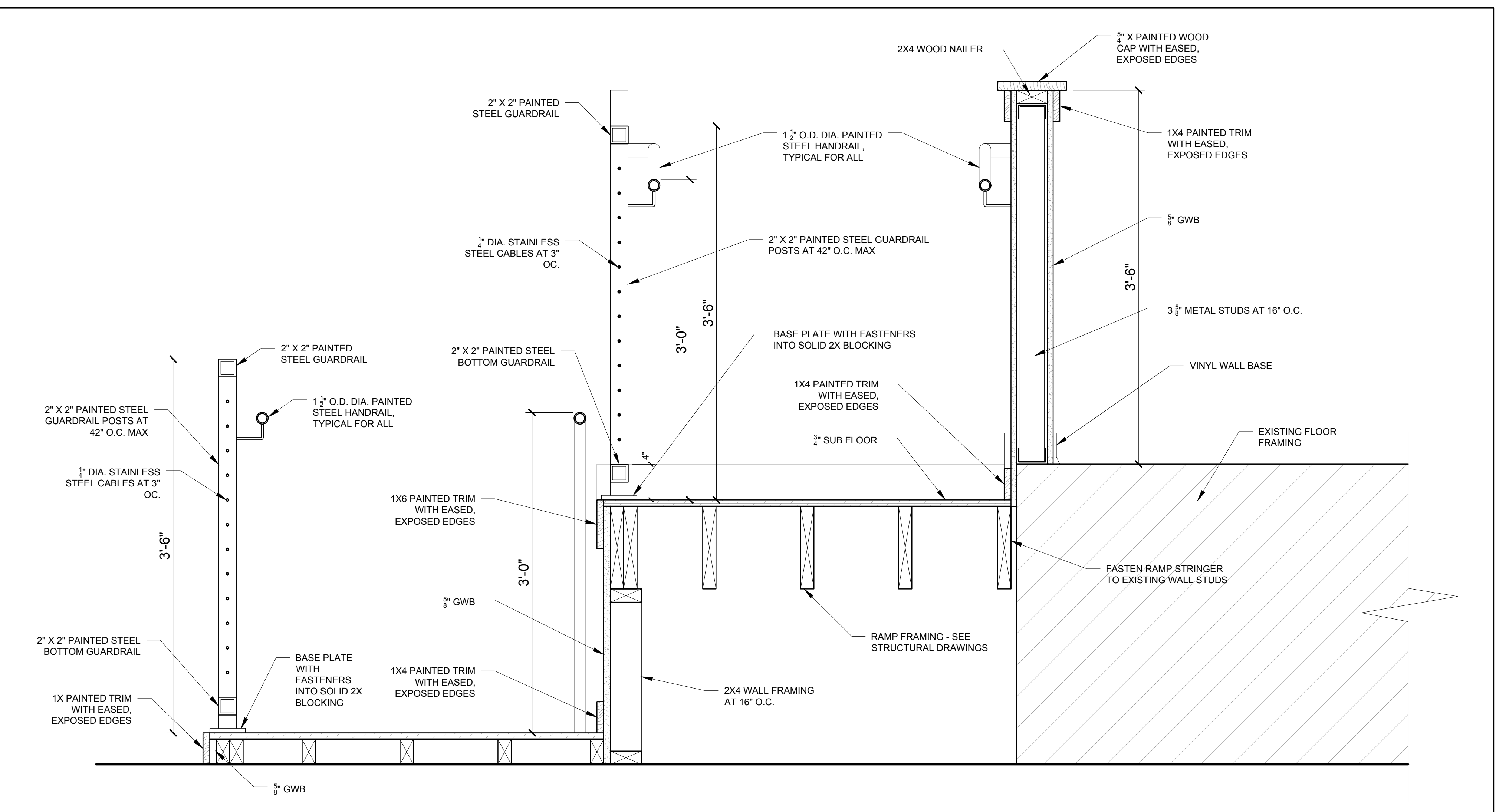
SCALE: AS NOTED

SHEET TITLE:
DETAILS

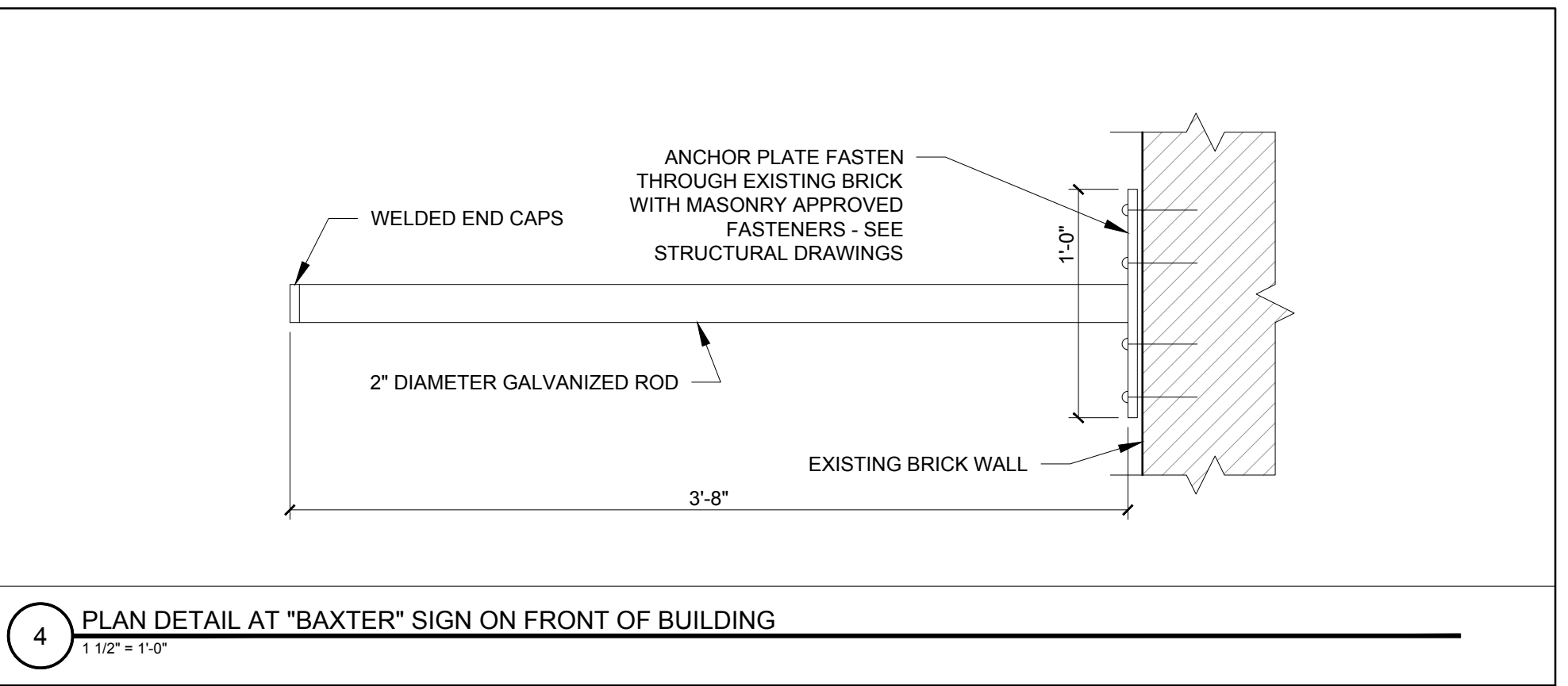
A5-3



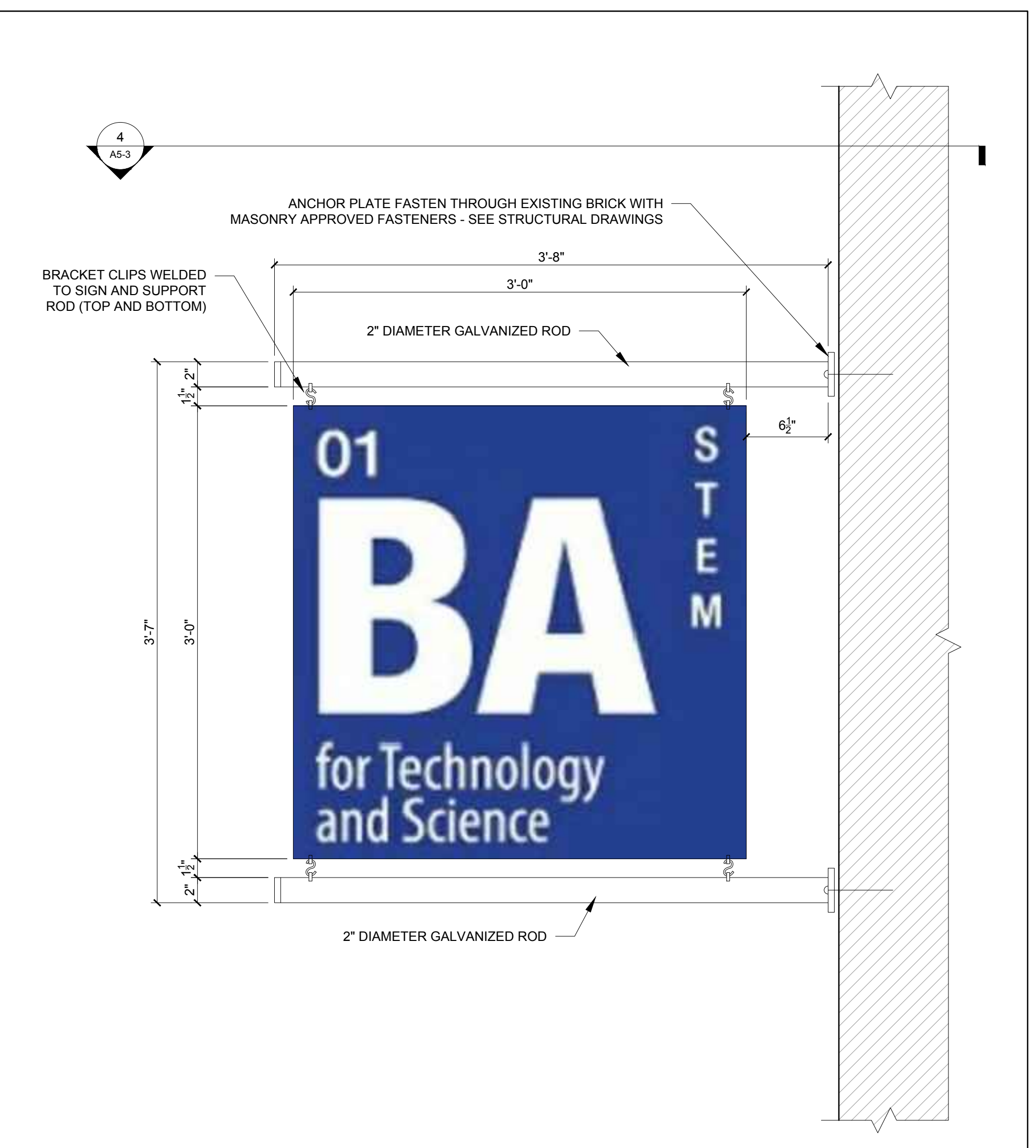
2 SECTION DETAIL AT HALF WALL AT TOP OF STAIRS
1/16" = 1'-0"



1 SECTION DETAIL THROUGH RAMP
1/16" = 1'-0"



4 PLAN DETAIL AT "BAXTER" SIGN ON FRONT OF BUILDING
1/16" = 1'-0"



3 ELEVATION AT "BAXTER" SIGN ON FRONT OF BUILDING
1/16" = 1'-0"