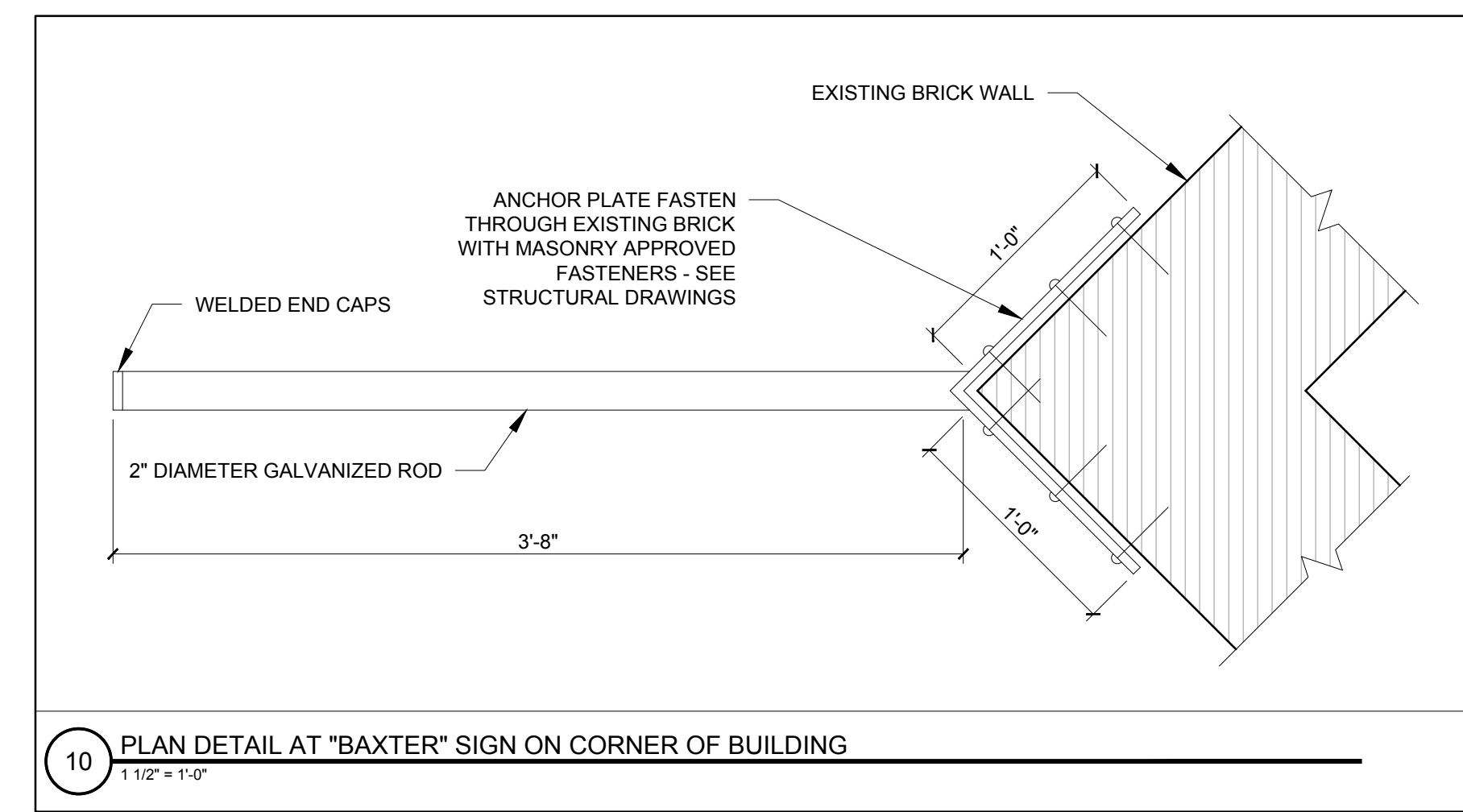
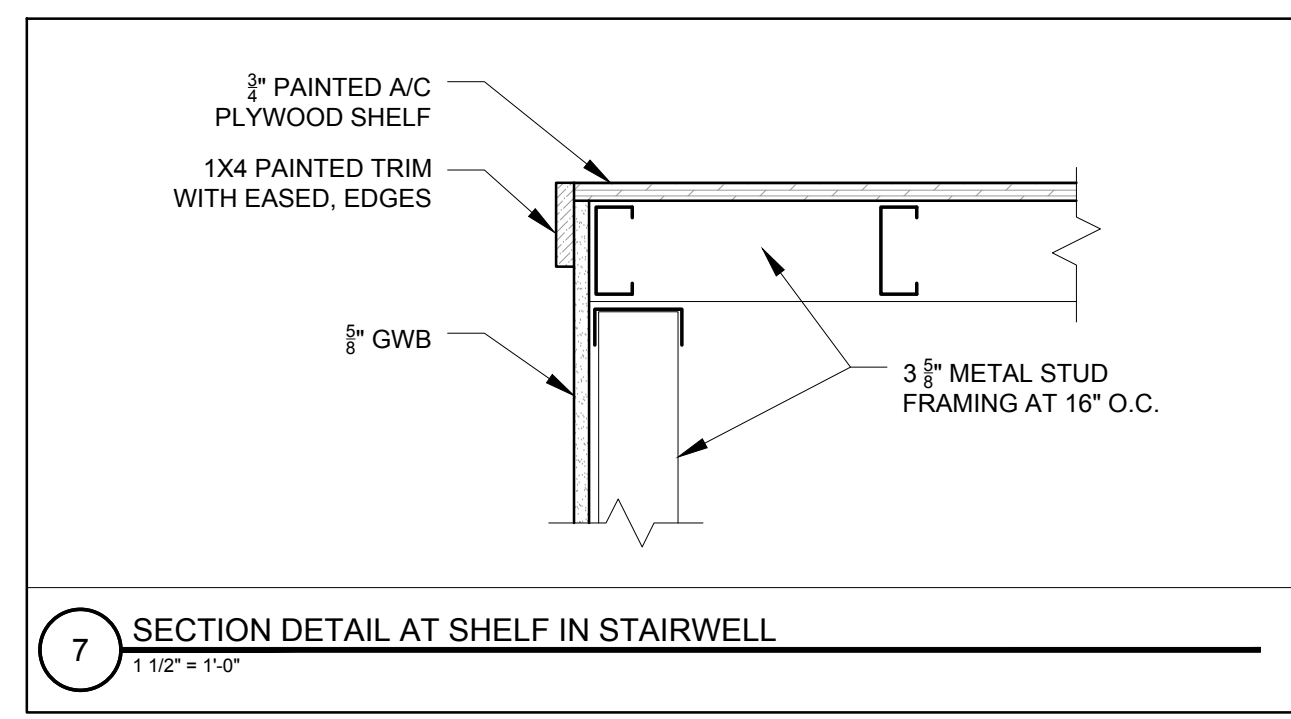


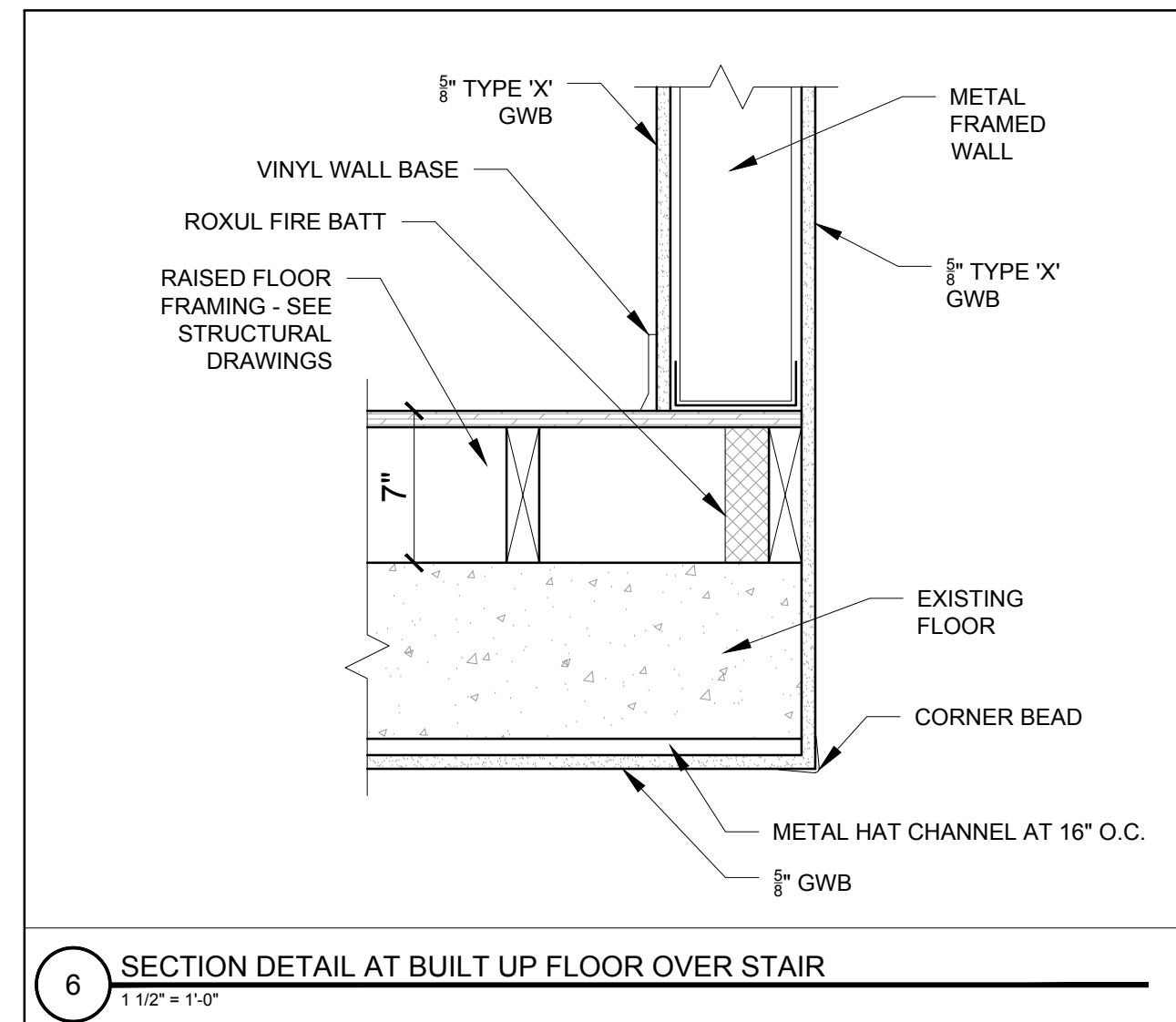
9 ELEVATION AT "BAXTER" SIGN ON CORNER OF BUILDING
 1/16" = 1'-0"



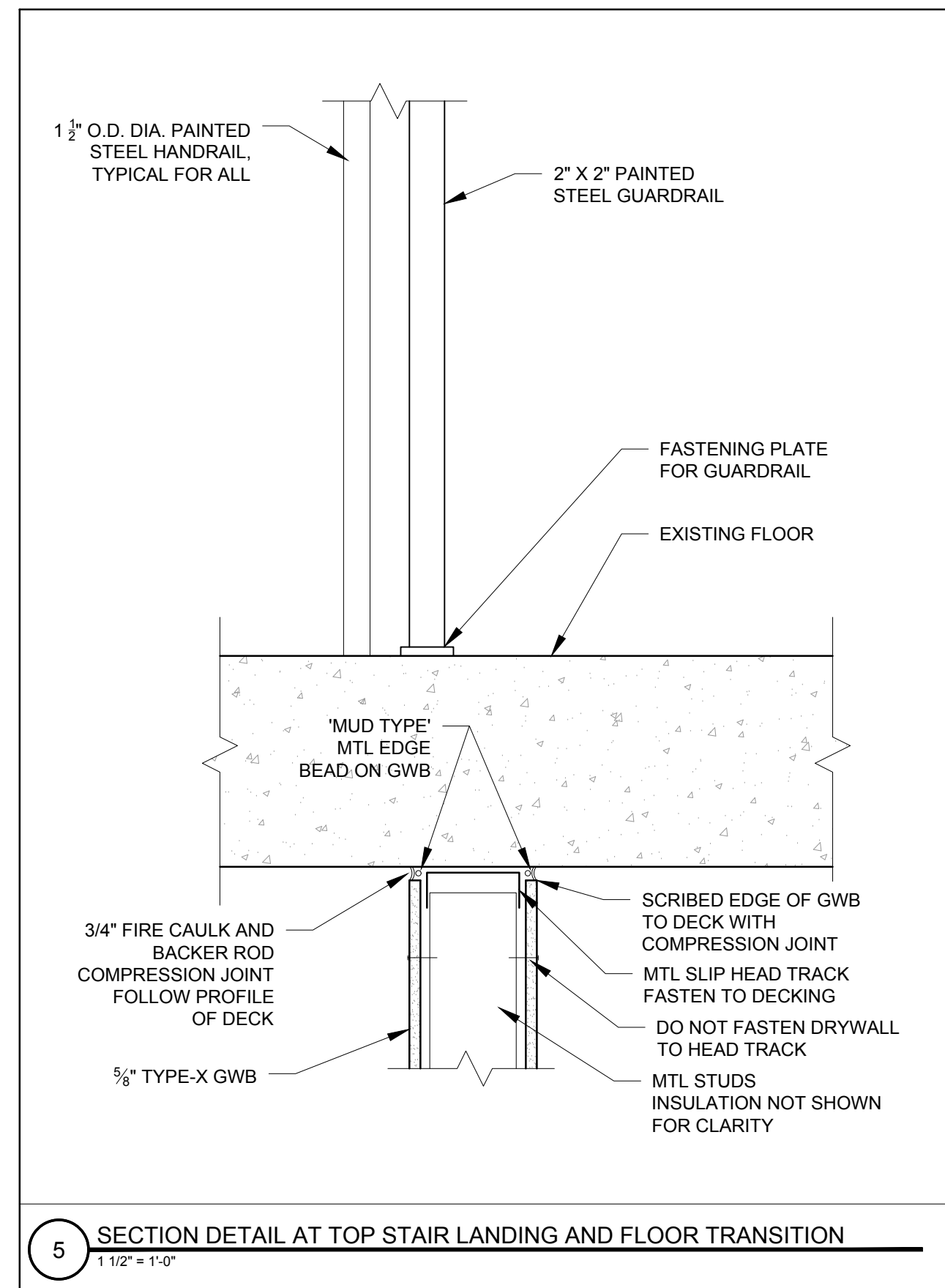
10 PLAN DETAIL AT "BAXTER" SIGN ON CORNER OF BUILDING
 1/16" = 1'-0"



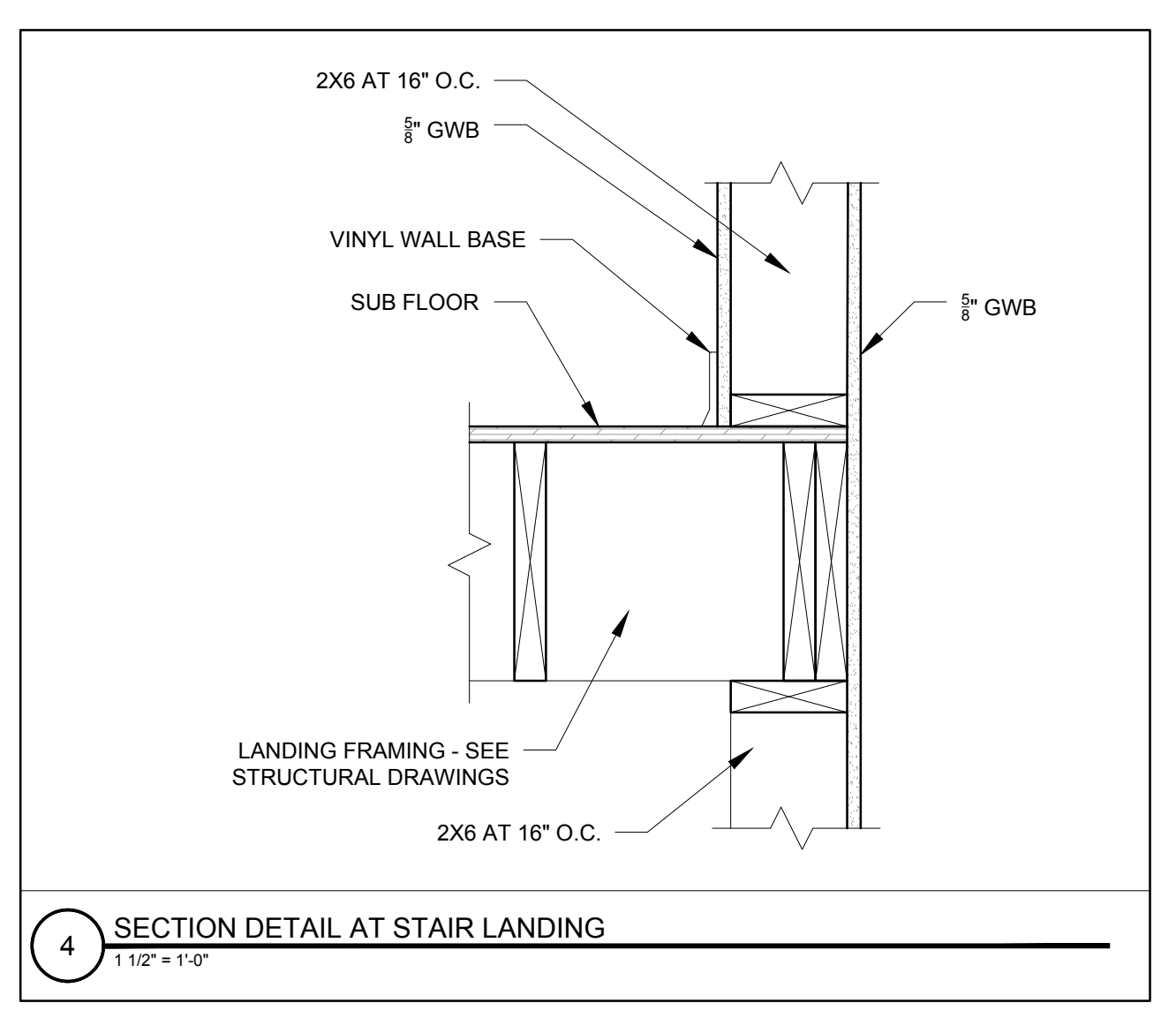
7 SECTION DETAIL AT SHELF IN STAIRWELL
 1/16" = 1'-0"



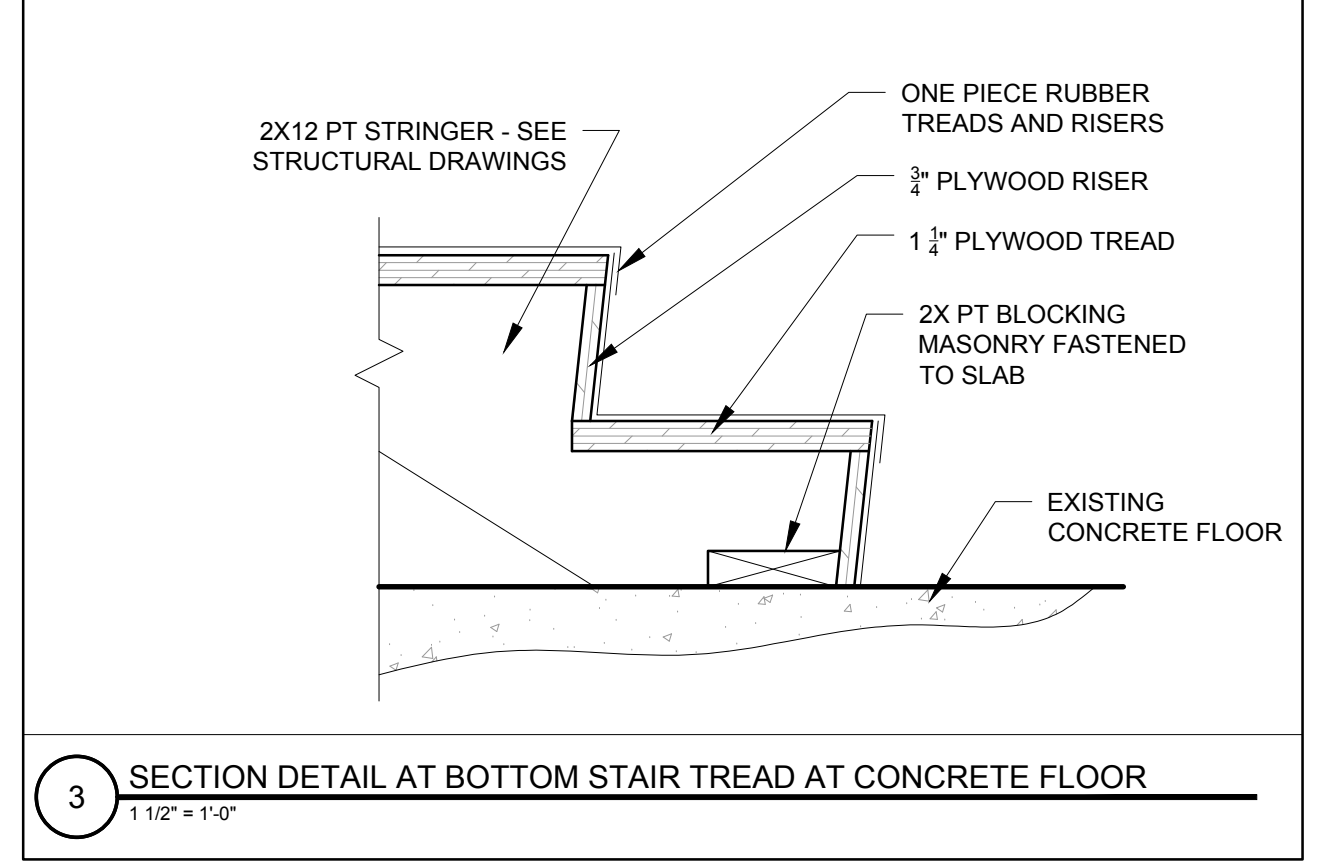
6 SECTION DETAIL AT BUILT UP FLOOR OVER STAIR
 1/16" = 1'-0"



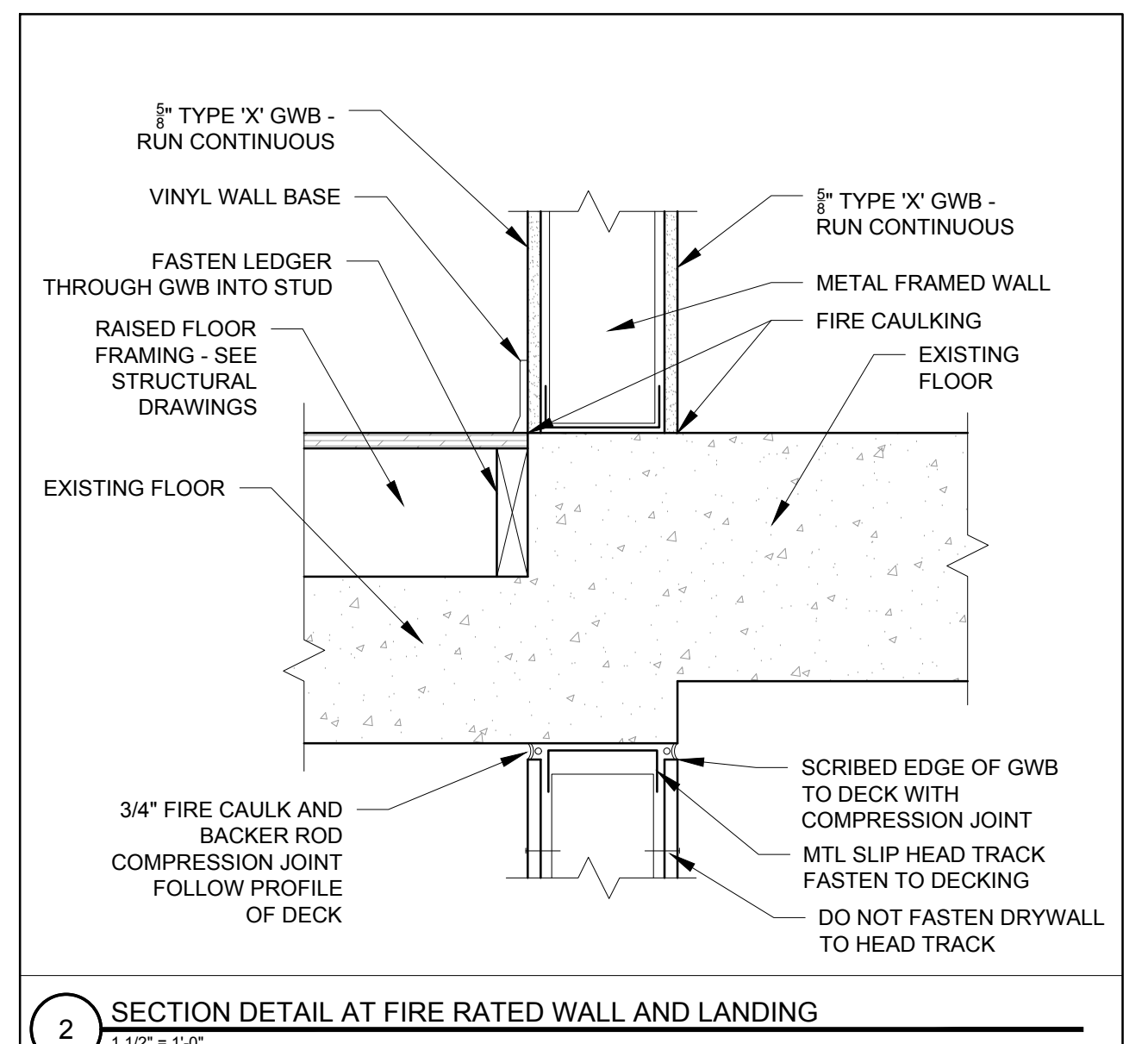
5 SECTION DETAIL AT TOP STAIR LANDING AND FLOOR TRANSITION
 1/16" = 1'-0"



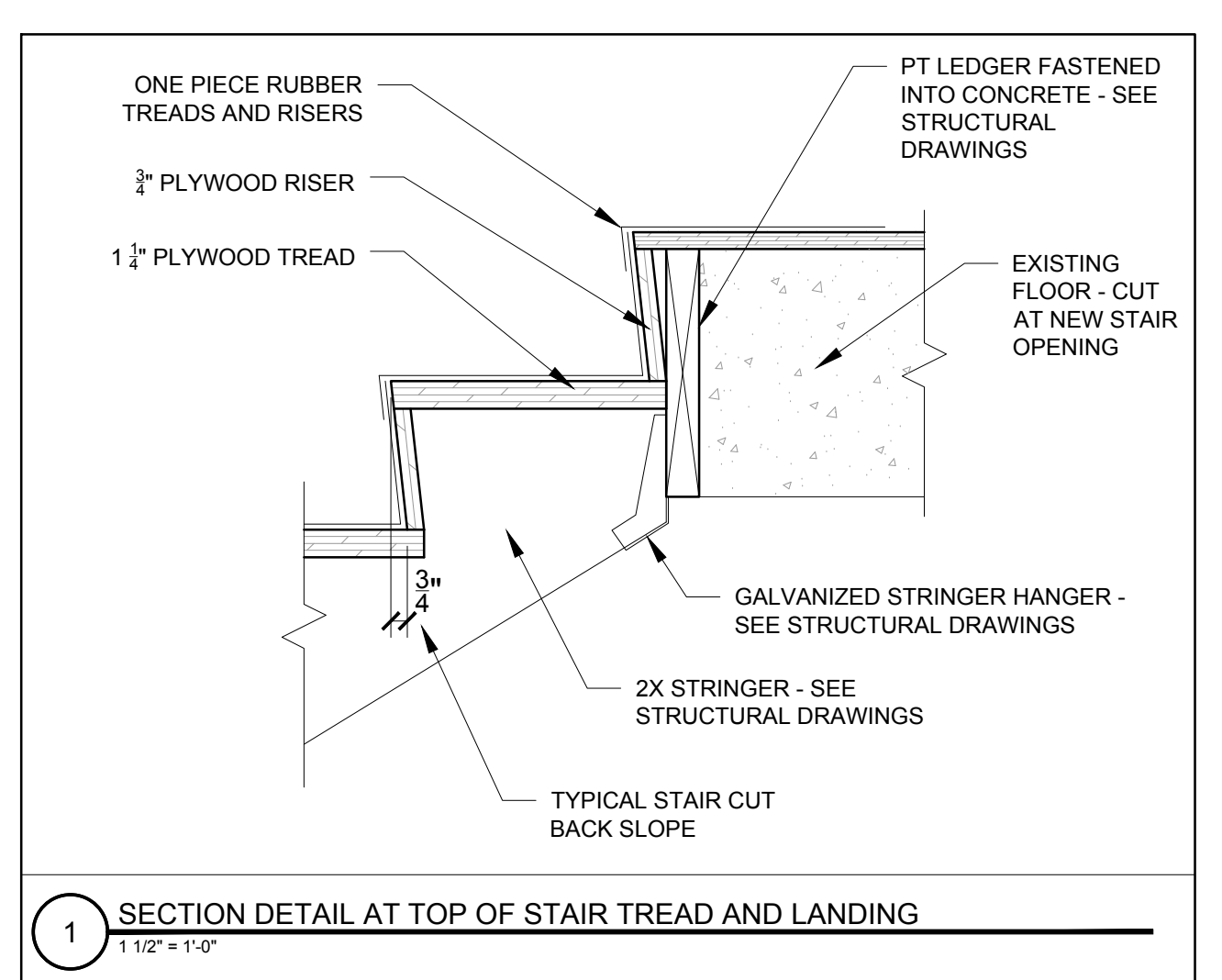
4 SECTION DETAIL AT STAIR LANDING
 1/16" = 1'-0"



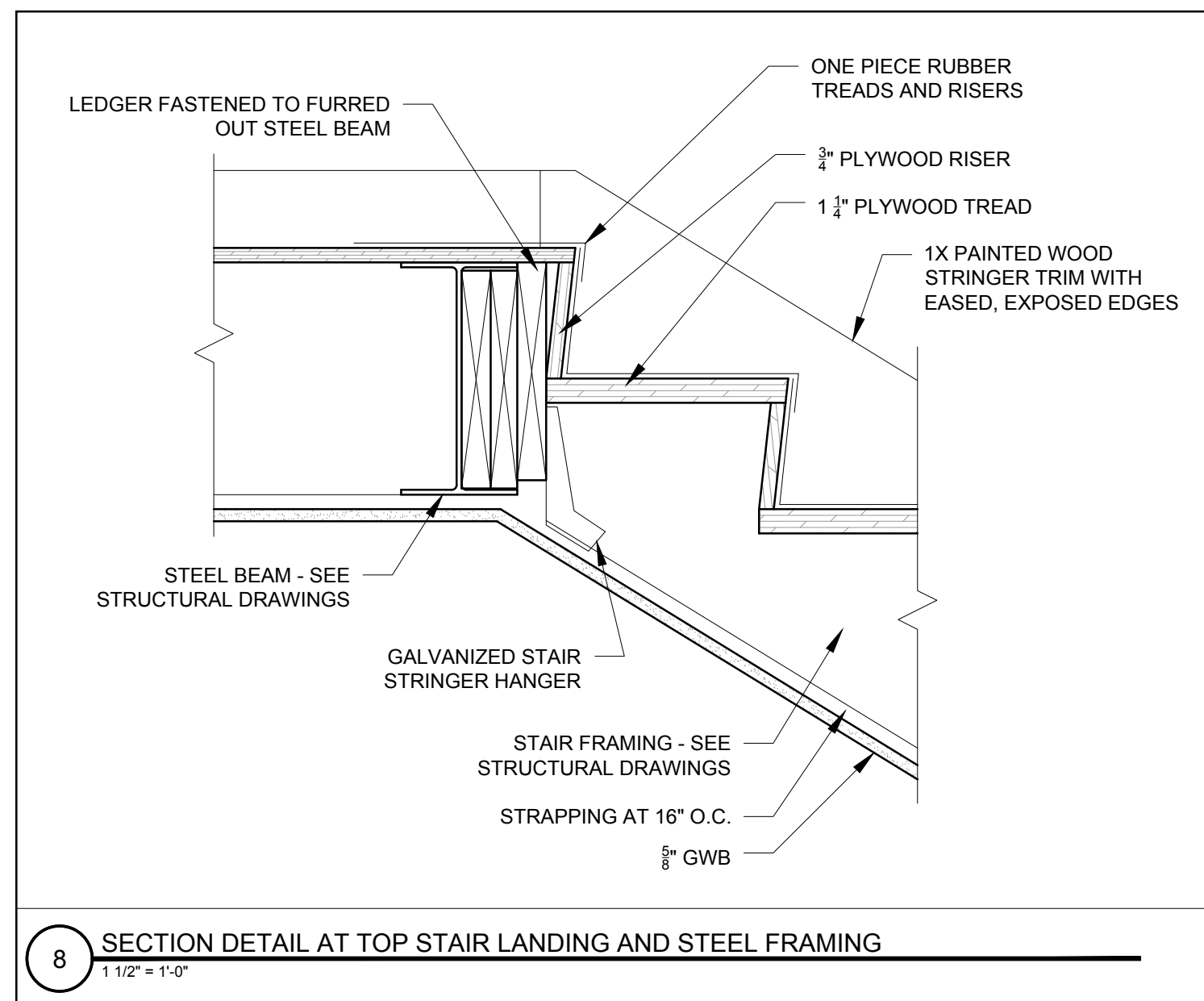
3 SECTION DETAIL AT BOTTOM STAIR TREAD AT CONCRETE FLOOR
 1/16" = 1'-0"



2 SECTION DETAIL AT FIRE RATED WALL AND LANDING
 1/16" = 1'-0"



1 SECTION DETAIL AT TOP OF STAIR TREAD AND LANDING
 1/16" = 1'-0"



8 SECTION DETAIL AT TOP STAIR LANDING AND STEEL FRAMING
 1/16" = 1'-0"