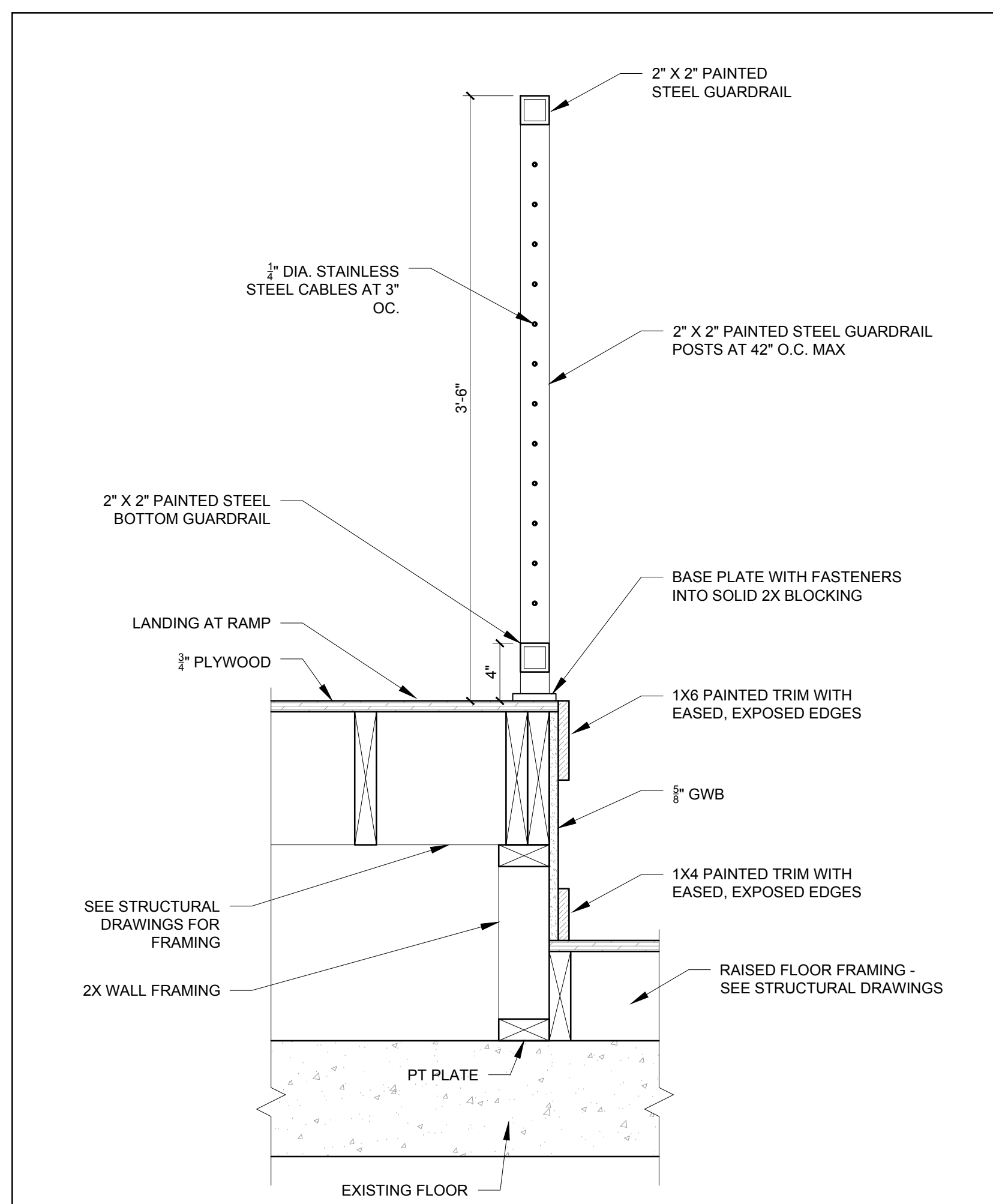
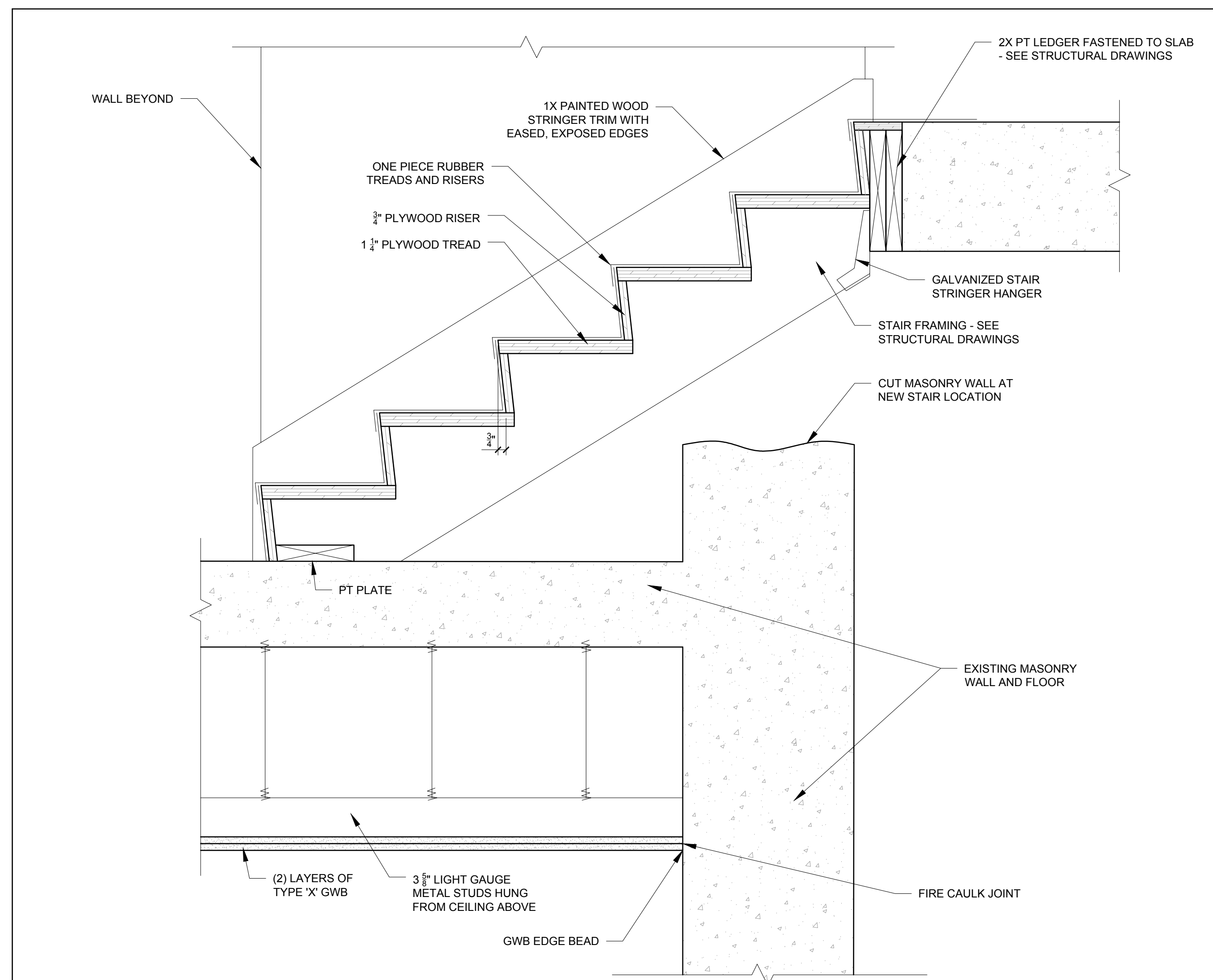


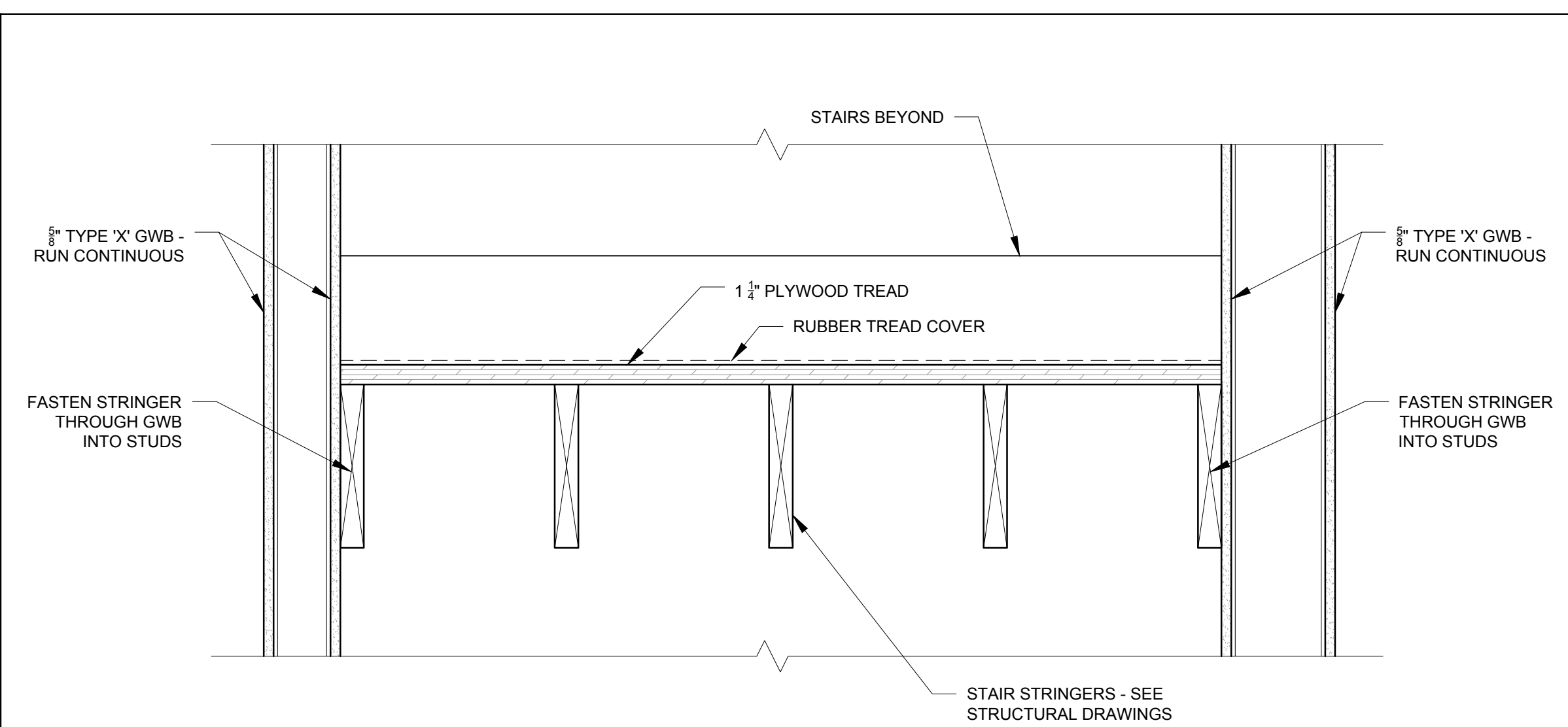
5 SECTION DETAIL AT CLOSET FLOOR BUMP
 1/12" = 1'-0"



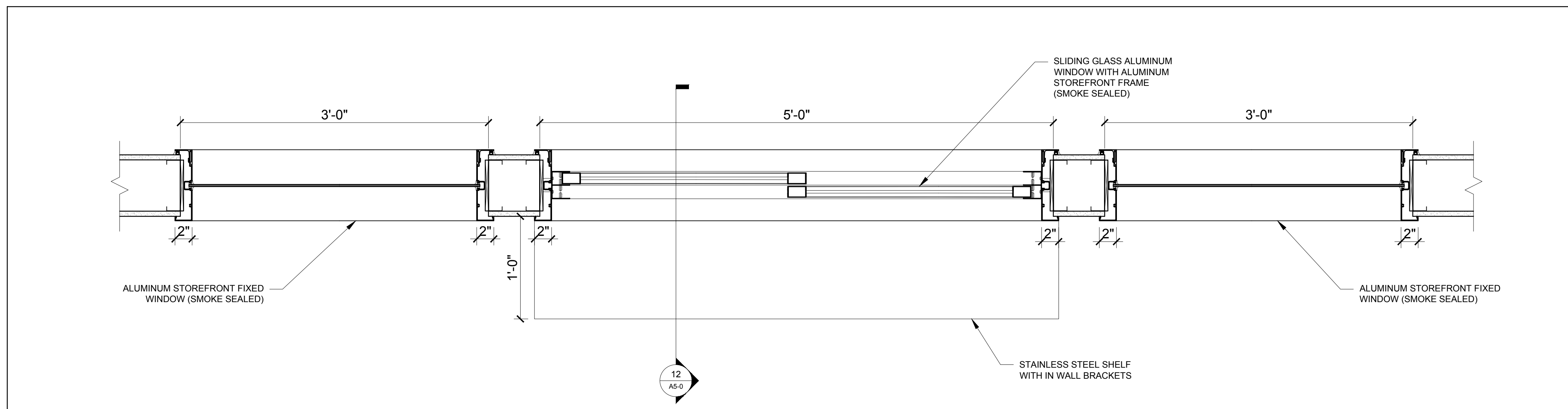
3 SECTION DETAIL AT RAMP LANDING
 1/12" = 1'-0"



2 ELEVATION VIEW OF TYPICAL INTERIOR WALL TO DECK DETAIL
 1/12" = 1'-0"



4 PLAN DETAIL AT STAIR AND WALL INTERSECTION
 1/12" = 1'-0"



1 PLAN DETAIL AT WINDOWS AT FRONT OFFICE
 1/12" = 1'-0"