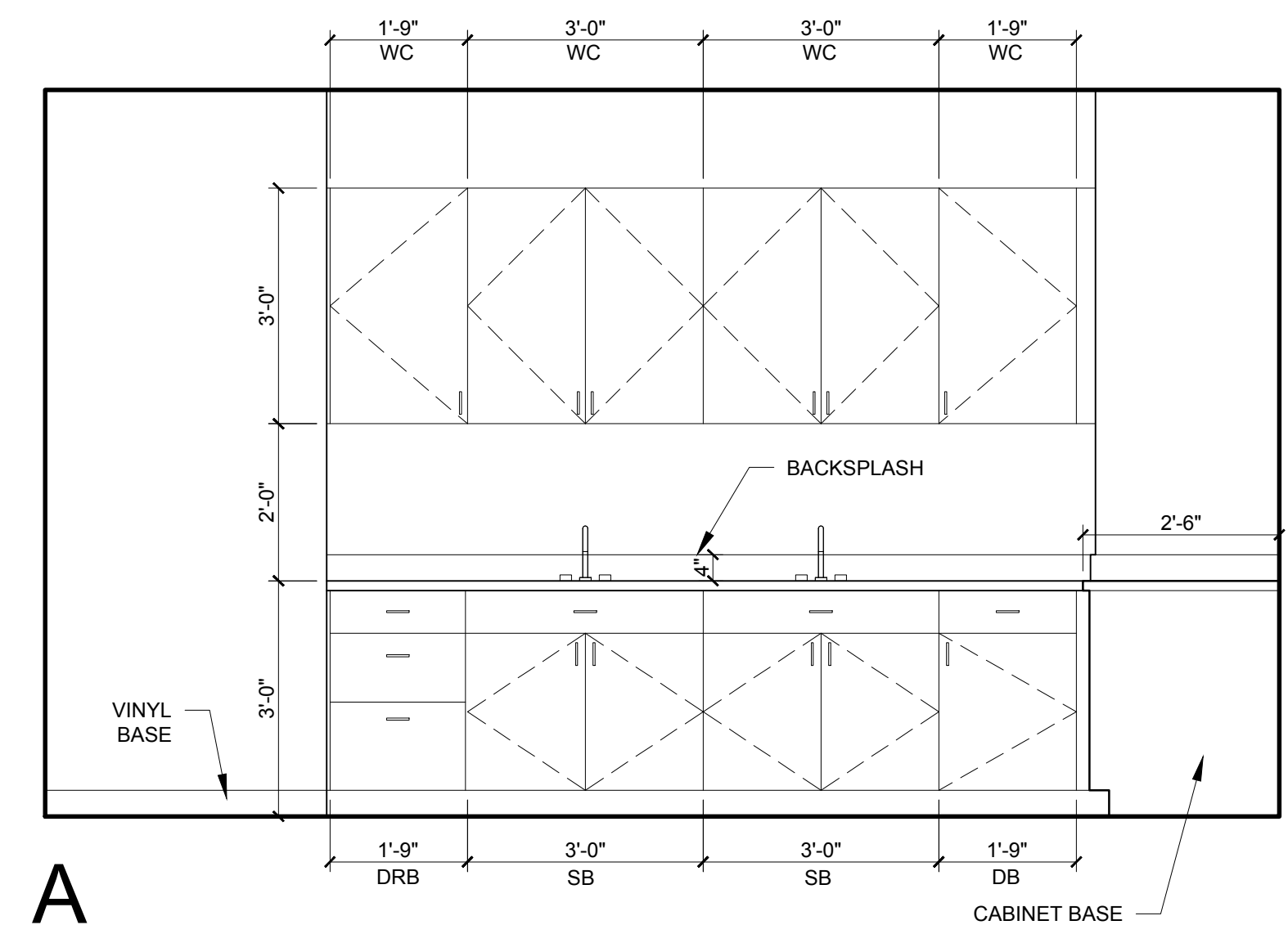
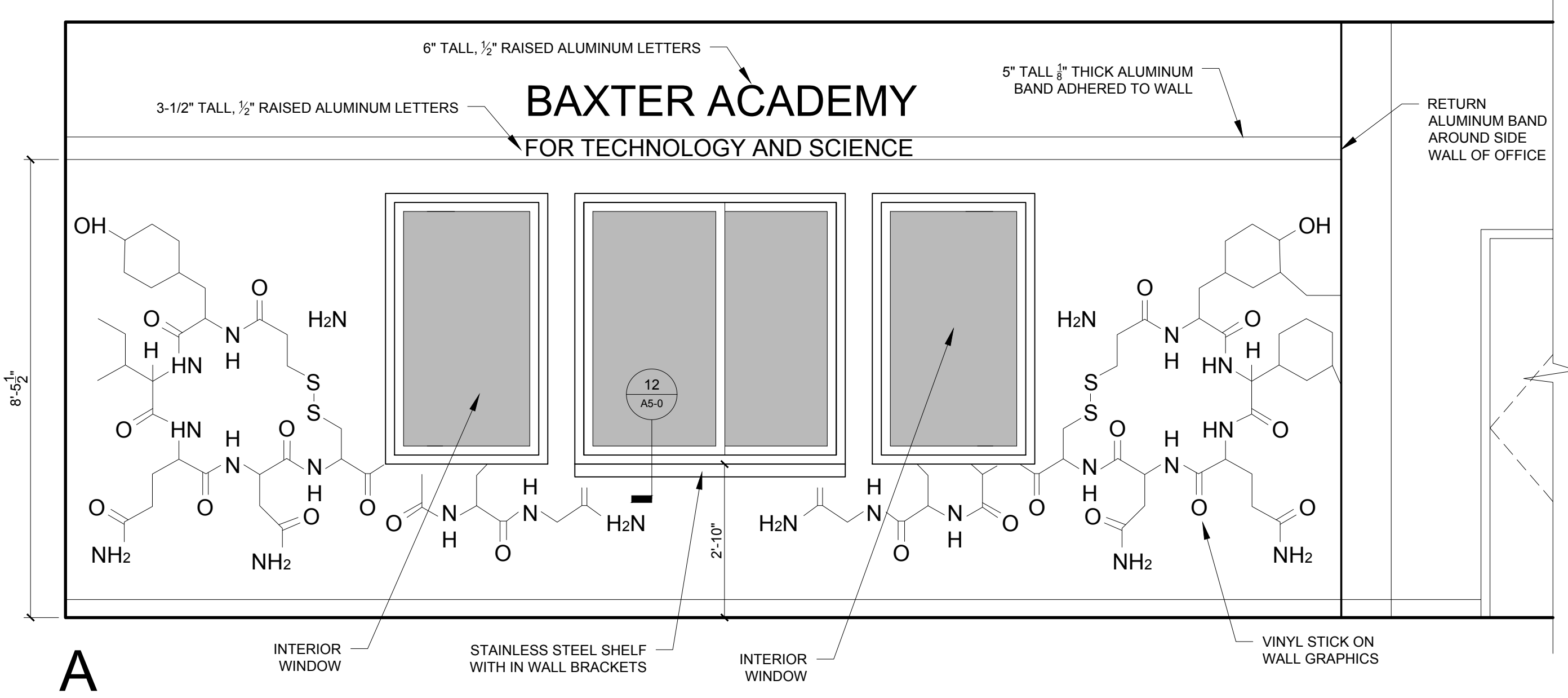
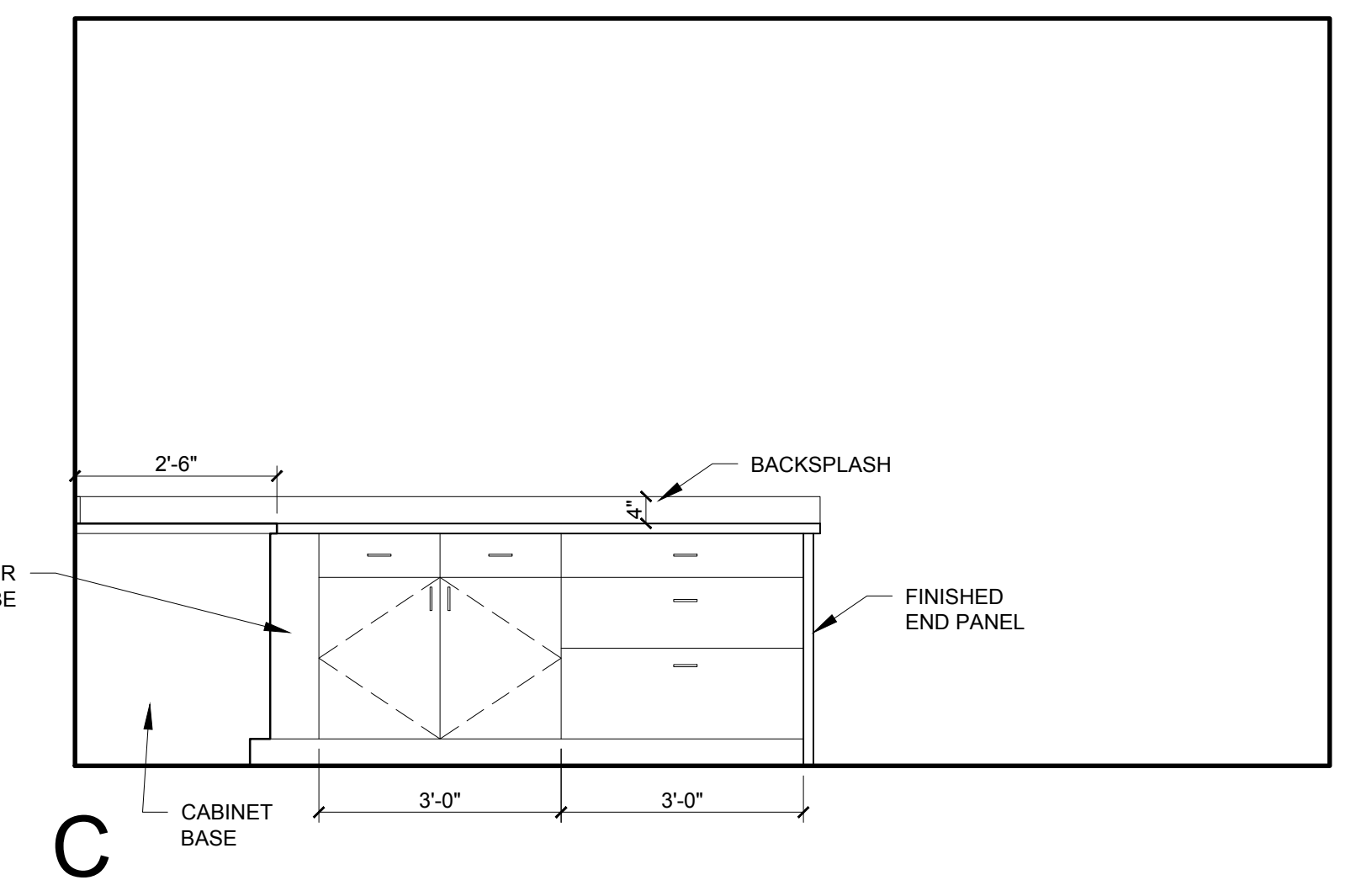
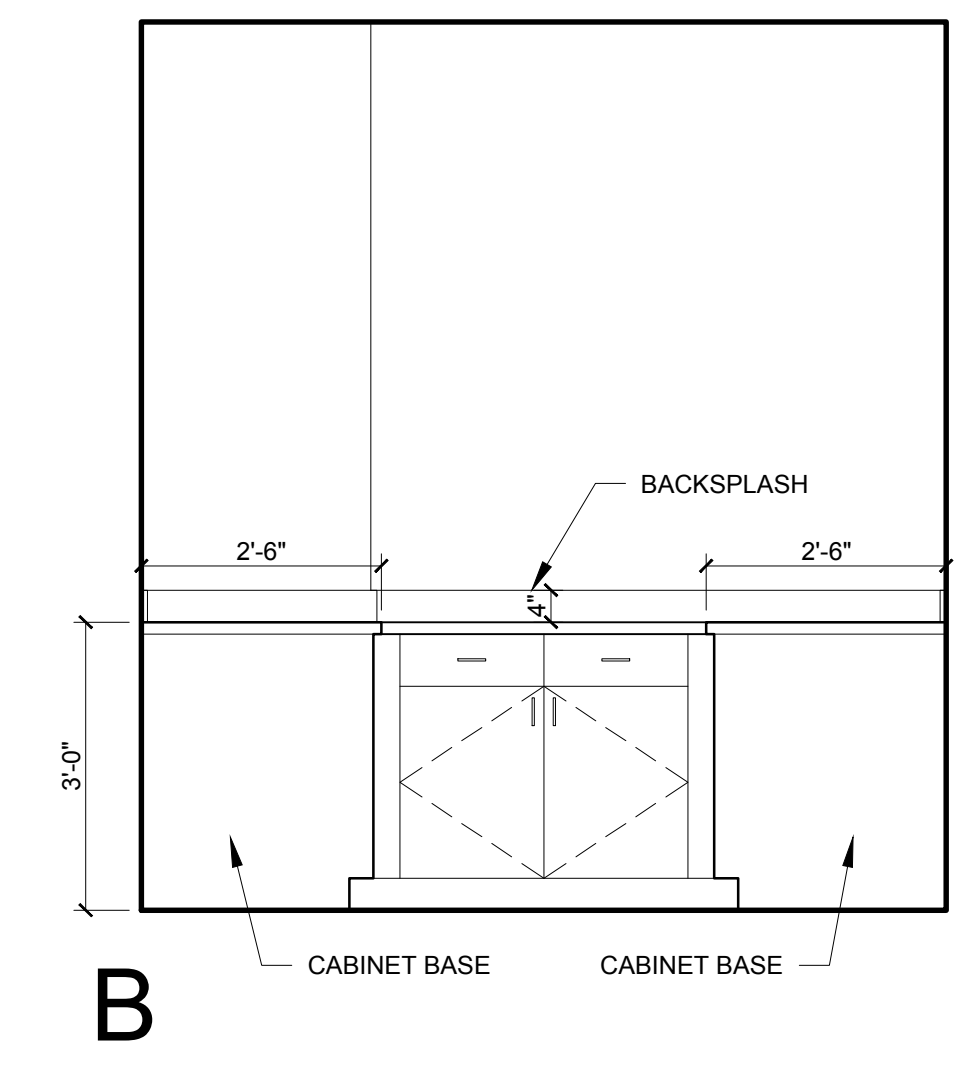


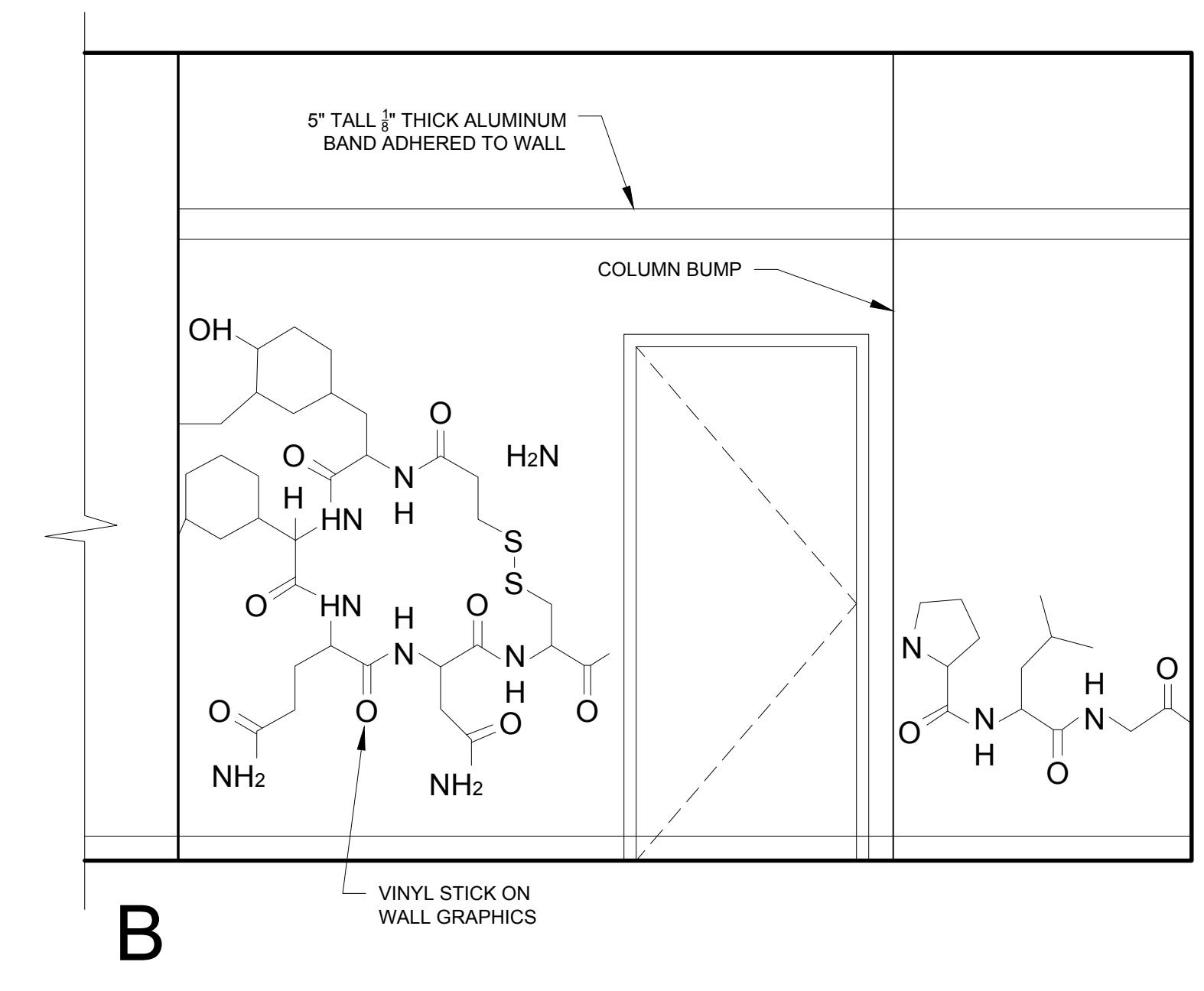
1 TEACHER KITCHENETTE (205)
 1/2" = 1'-0"



2 DARK ROOM (222A)
 1/2" = 1'-0"

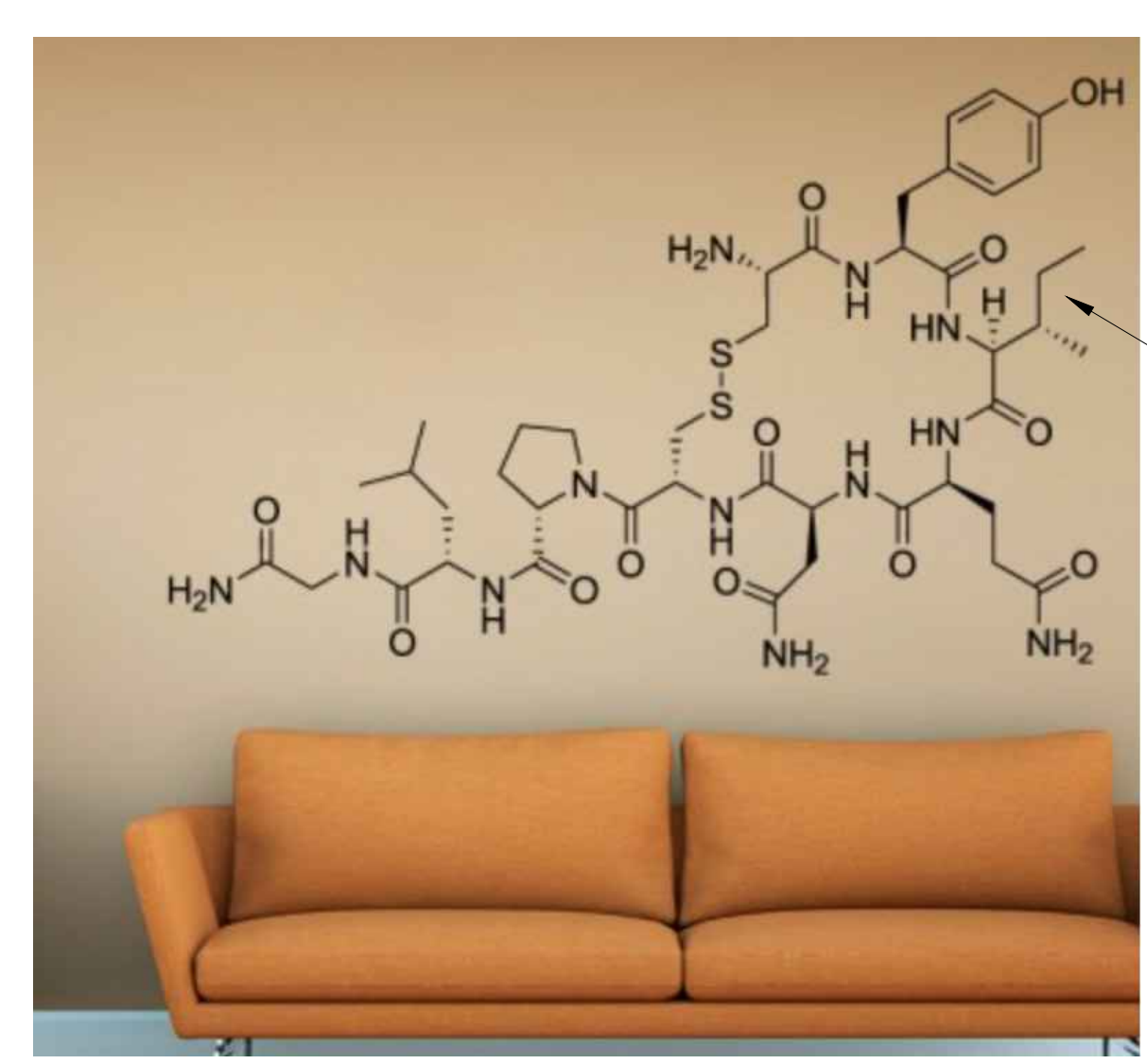


3 LOBBY 102
 1/2" = 1'-0"



4 LOBBY 102
 1/2" = 1'-0"

- UNIT NOTES**
- 1) G.C. TO CONFIRM AND COORDINATE ALL ROUGH FRAMING DIMENSIONS FOR BUILT-IN FIXTURES ETC. G.C. TO CONFIRM AND COORDINATE ALL CABINETS AND APPLIANCES DIMENSIONS
 - 2) PROVIDE APPROPRIATE BLOCKING IN WALLS BEHIND ALL FIXTURES, PARTITIONS AND ACCESSORIES. BLOCKING FOR GRAB BARS TO BE PROVIDED IN WALLS OF BATHROOMS
 - 3) PROVIDE MOISTURE RESISTANT GWB AT ALL WALLS AND CEILINGS IN BATHROOMS TYPICAL
 - 4) REFER TO ELECTRICAL AND MECHANICAL DRAWINGS FOR ADDITIONAL INFORMATION REGARDING LIGHTING, DIFFUSERS, ETC.
 - 5) PROVIDE FIRE EXTINGUISHER ON BRACKET IN BASE CABINET BELOW SINK - TYPICAL (ONE SINK PER ROOM)
 - 6) WHERE DROPPED SOFFITS AND CEILINGS ARE SHOWN, THESE ARE IN ADDITION TO THE FIRE RATED GWB CEILING ABOVE WHICH IS PART OF THE RATED ASSEMBLY
 - 7) WHERE PLUMBING VALVES ARE LOCATED IN FIRE RATED WALLS, PROVIDE FIRE RATED BOX IN WALL FOR VALVE TO BE INSTALLED WITHIN
- CABINETS AND APPLIANCE ABBREVIATIONS**
- DB = DRAWER BASE
 - DRB = DOOR BASE
 - SB = SINK BASE
 - WC = WALL CABINET
 - DW = DISHWASHER
 - REF = REFRIGERATOR



EXAMPLE OF VINYL STICK ON WALL GRAPHICS