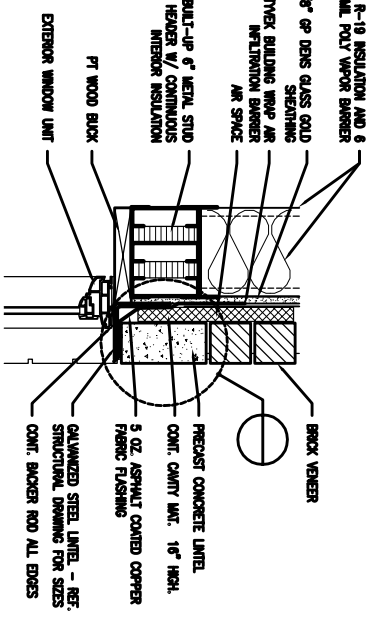


**1** TYPICAL ROOF EDGE DETAIL

SCALE: 1/2" = 1'-0"

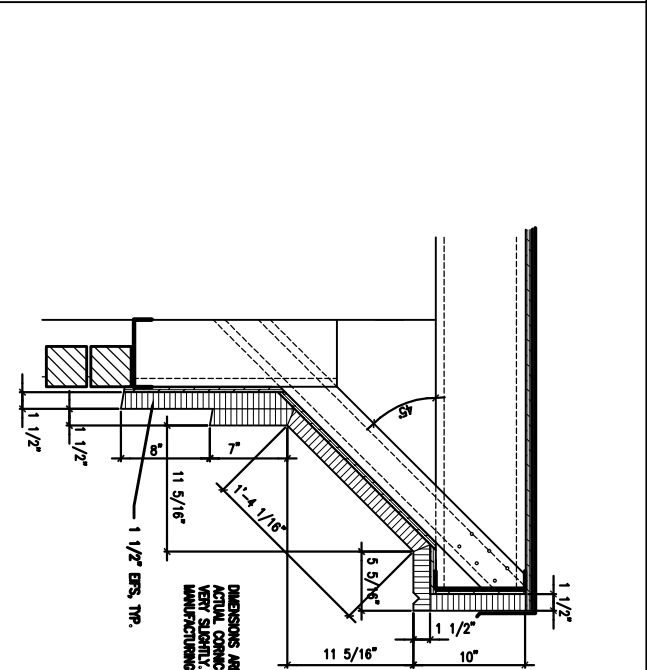
REFERENCED FROM:



**4** TYPICAL HEAD DETAIL • AWNING/PICTURE WINDOW UNIT

SCALE: 1/2" = 1'-0"

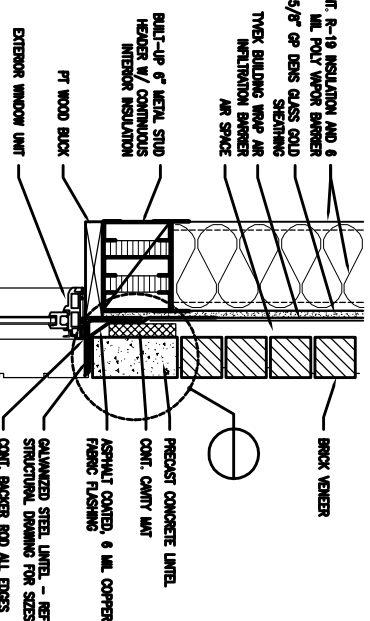
REFERENCED FROM:



**2** TYPICAL EIFS PROFILE DETAIL

SCALE: 1/2" = 1'-0"

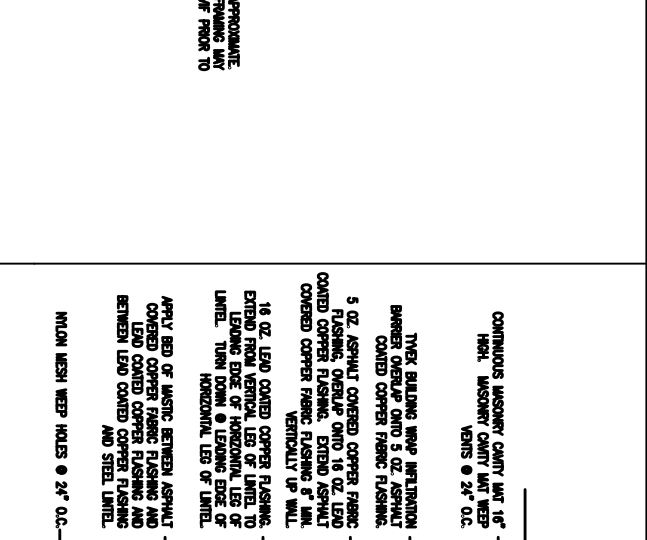
REFERENCED FROM:



**5** DETAIL • TYPICAL DOUBLE HUNG WINDOW HEAD

SCALE:

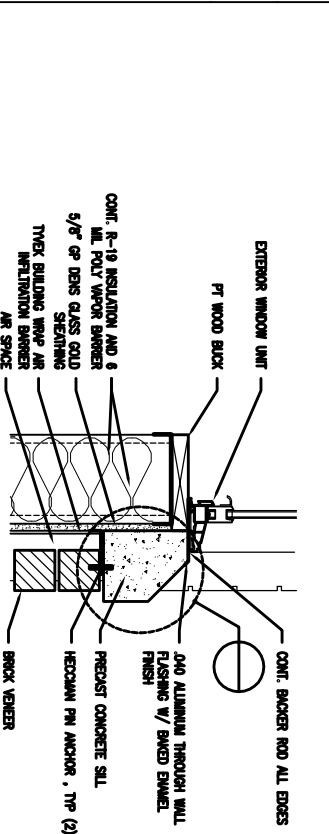
REFERENCED FROM:



**3** TYP. BASE OF WALL FLASHING DETAIL

SCALE: 3/4" = 1'-0"

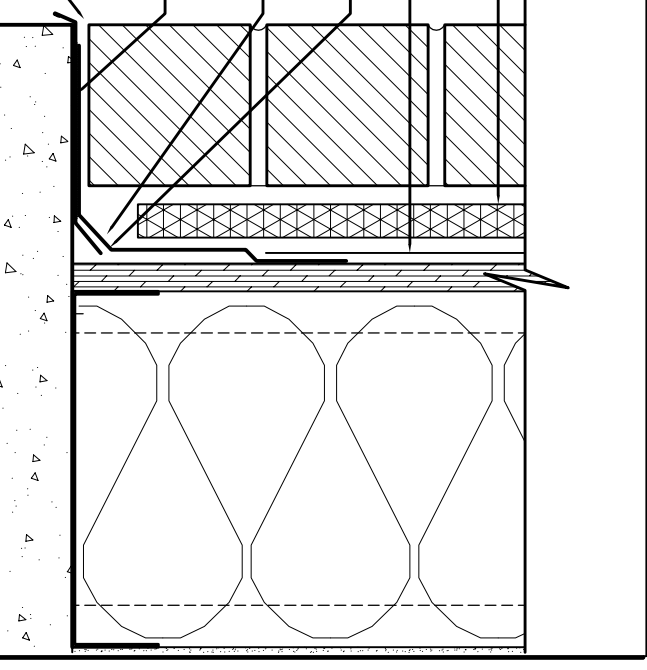
REFERENCED FROM:



**7** DETAIL • TYPICAL DOUBLE HUNG WINDOW HEAD

SCALE:

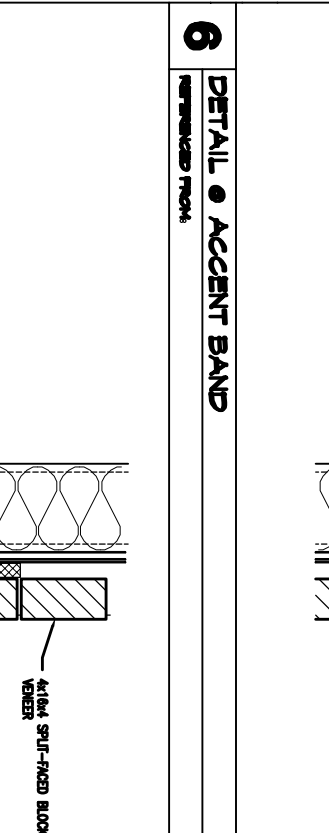
REFERENCED FROM:



**3** TYP. BASE OF WALL FLASHING DETAIL

SCALE: 3/4" = 1'-0"

REFERENCED FROM:



**6** DETAIL • ACCENT BAND

SCALE:

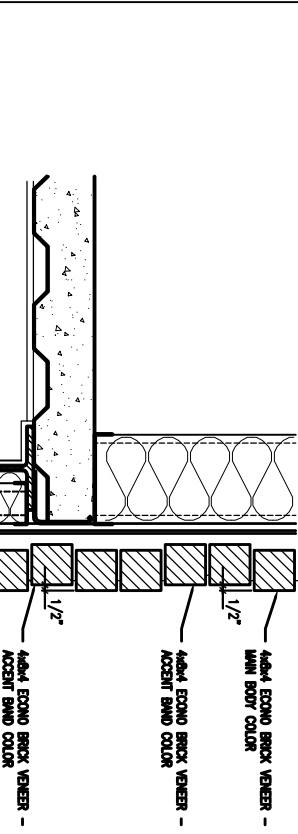
REFERENCED FROM:



**10** TYPICAL DETAIL • BASE OF WALL

SCALE:

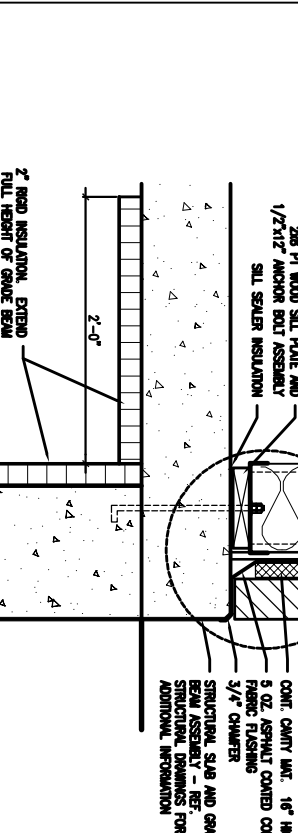
REFERENCED FROM:



**9** DETAIL • ACCENT BAND

SCALE:

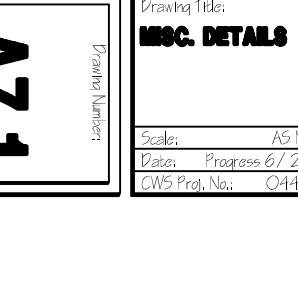
REFERENCED FROM:



**10** TYPICAL DETAIL • BASE OF WALL

SCALE:

REFERENCED FROM:



**8** TYPICAL BASE OF WALL AND SILL DETAIL

SCALE: 1/2" = 1'-0"

REFERENCED FROM:

**CWS Architects**  
 454 Cumberland Avenue  
 Portland, ME 04101  
 Phone: (207) 774-4441  
 Fax: (207) 774-4016  
 www.CWSarch.com

**REVISIONS**

| Revision | Description | Date |
|----------|-------------|------|
|          |             |      |
|          |             |      |

Owner: **FIVE LIVER COMPANY**  
 5 MILK STREET  
 PORTLAND, MAINE  
 04112  
 207-772-6404

Project: **MULTI-TENANT OFFICE BUILDING**  
 155 MARGINAL WAY  
 PORTLAND, MAINE  
 04101

Drawing Title: **MISC. DETAILS**  
 Drawing Number: **A7.1**

Scale: AS NOTED  
 Date: Progress 6/21/04  
 CWS Proj. No.: 04425-11c

ISSUED FOR PERMITTING