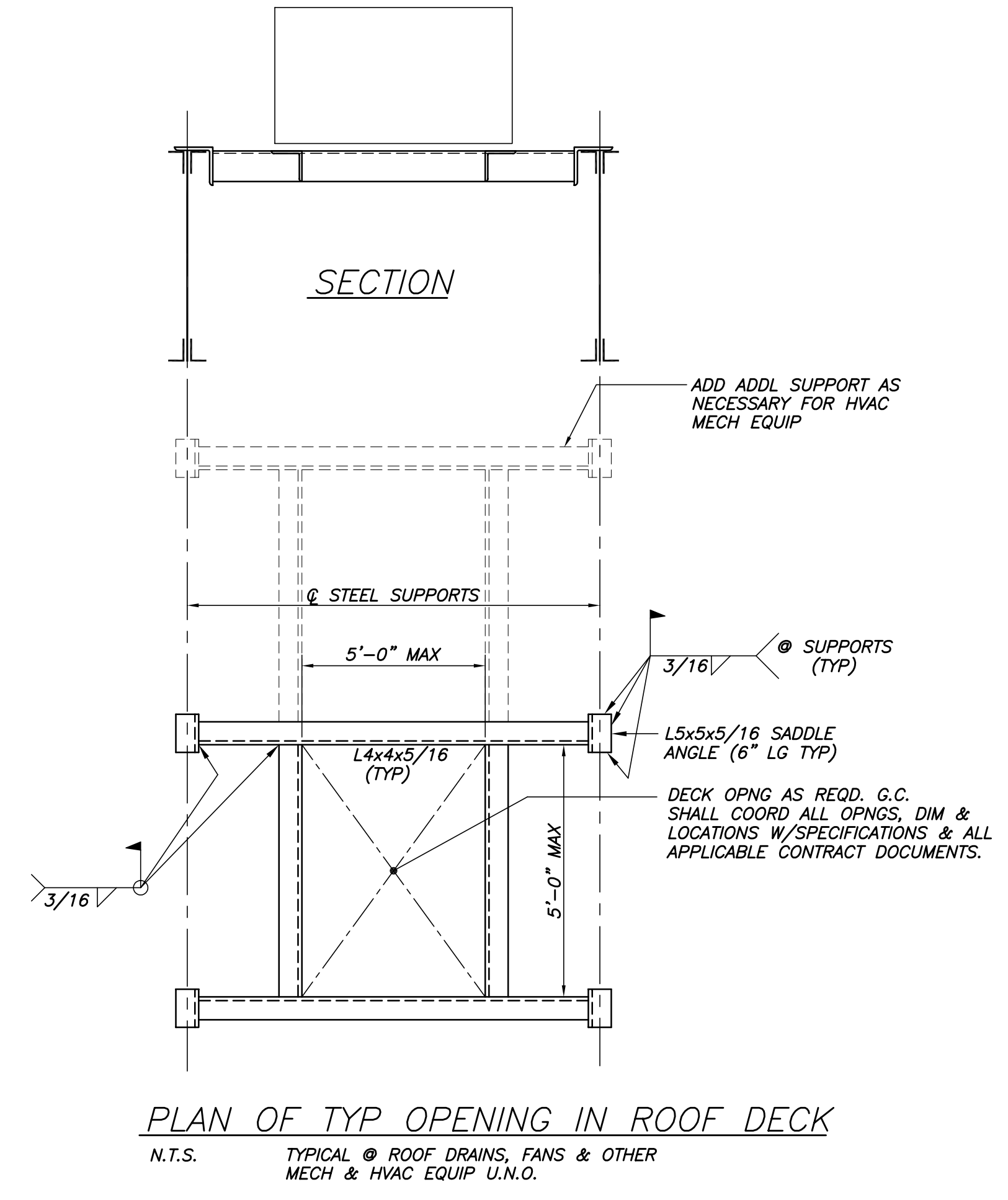
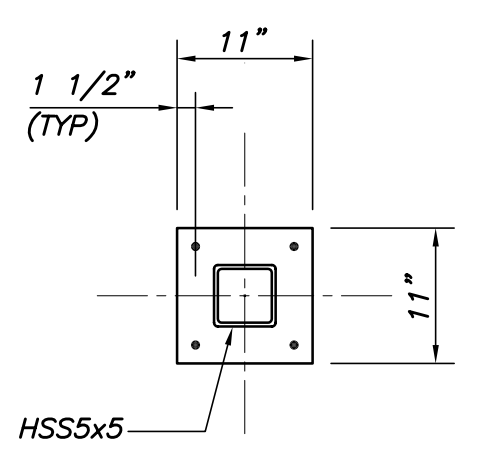
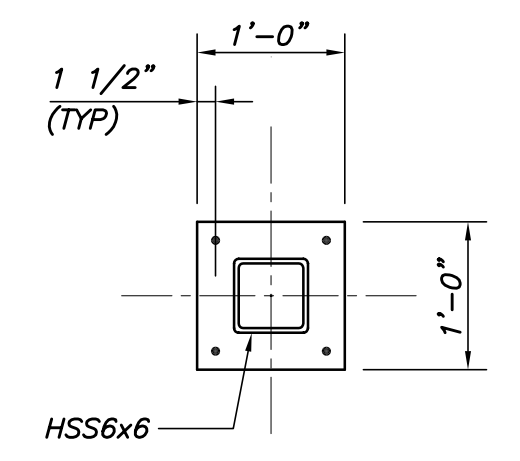
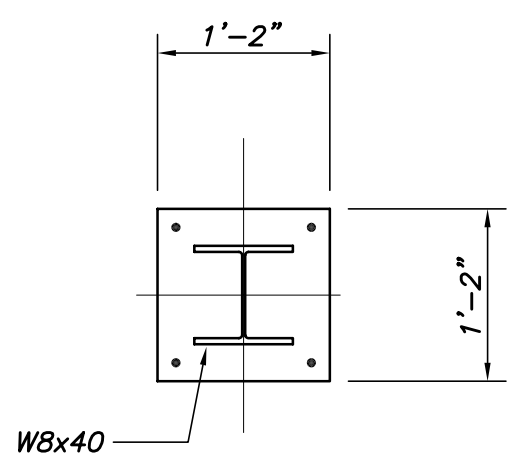
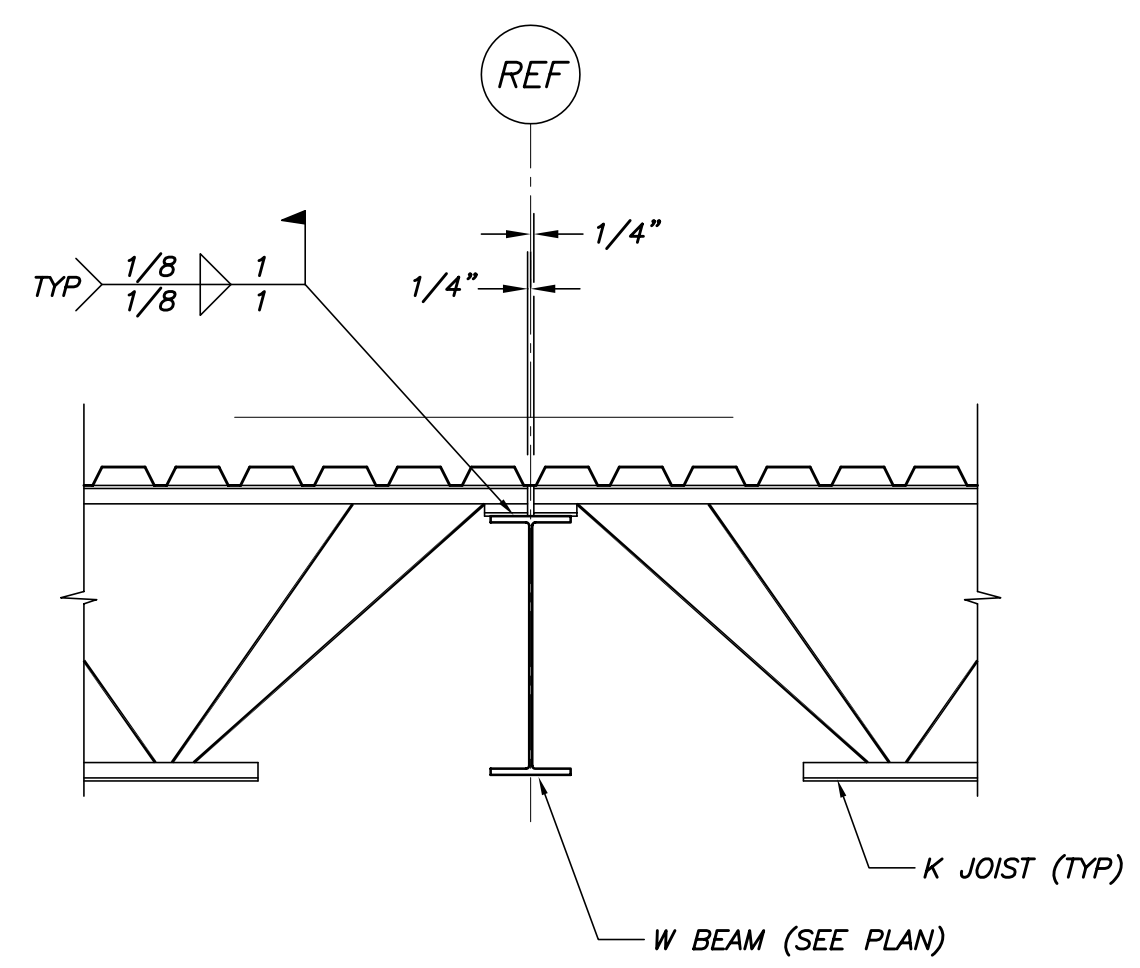


NOTE: SEE FRAMING PLANS AND BRACING ELEVATIONS FOR GUSSET PLATE SIZE AND ORIENTATION.



ISSUED FOR PERMITTING  
NOT FOR CONSTRUCTION  
JUNE 21, 2004