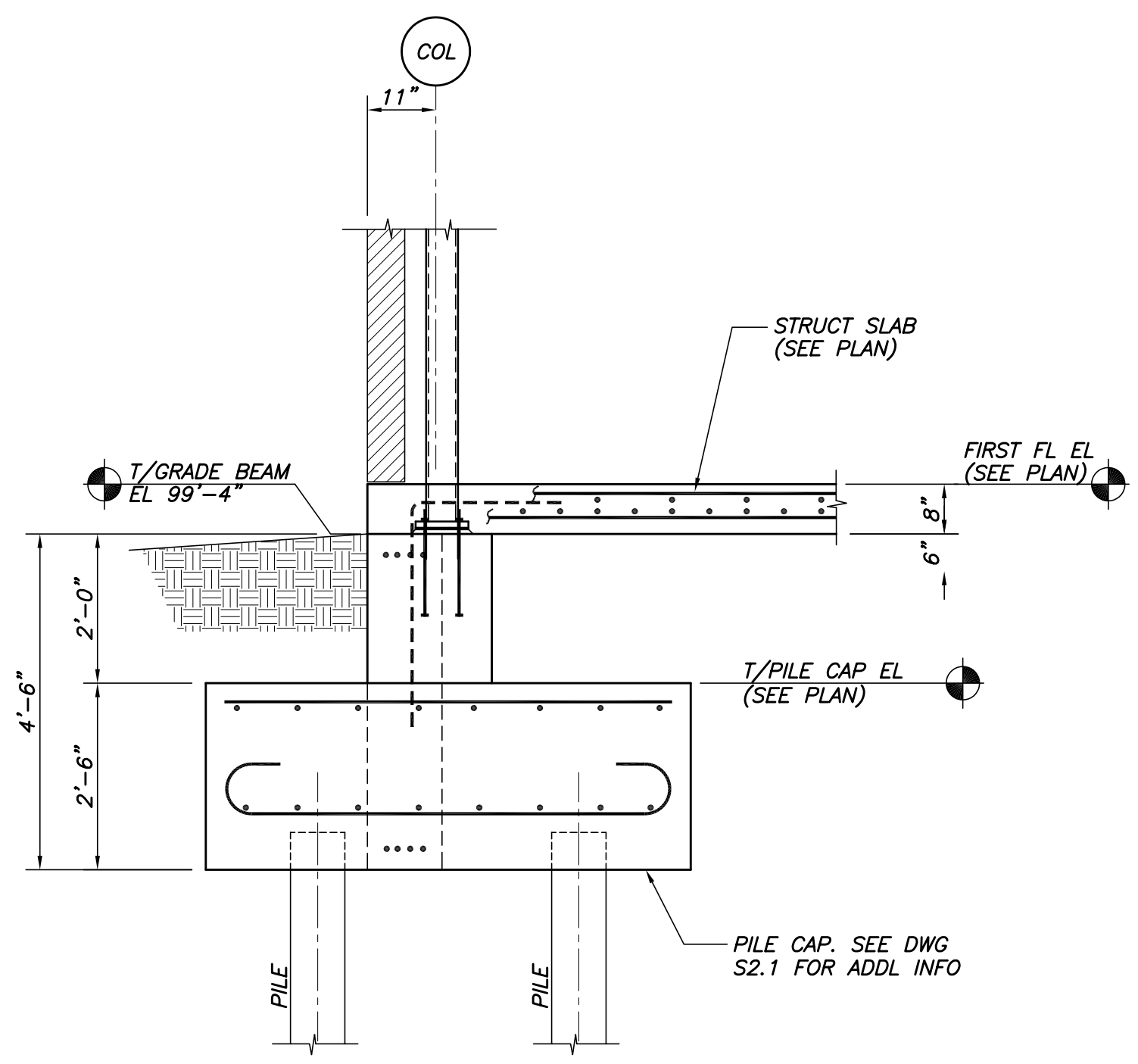
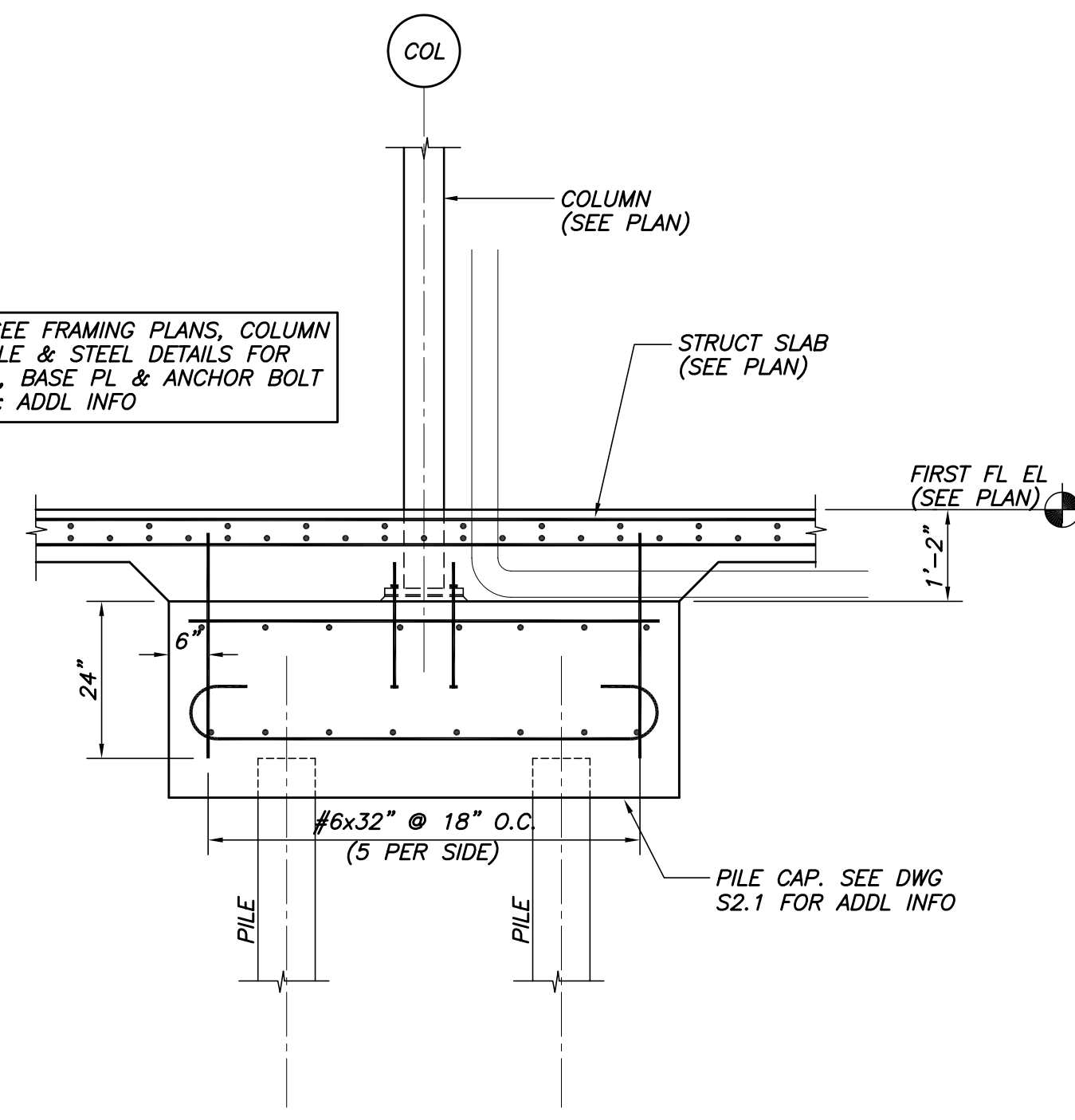


SECTION 1
1/2"=1'-0"

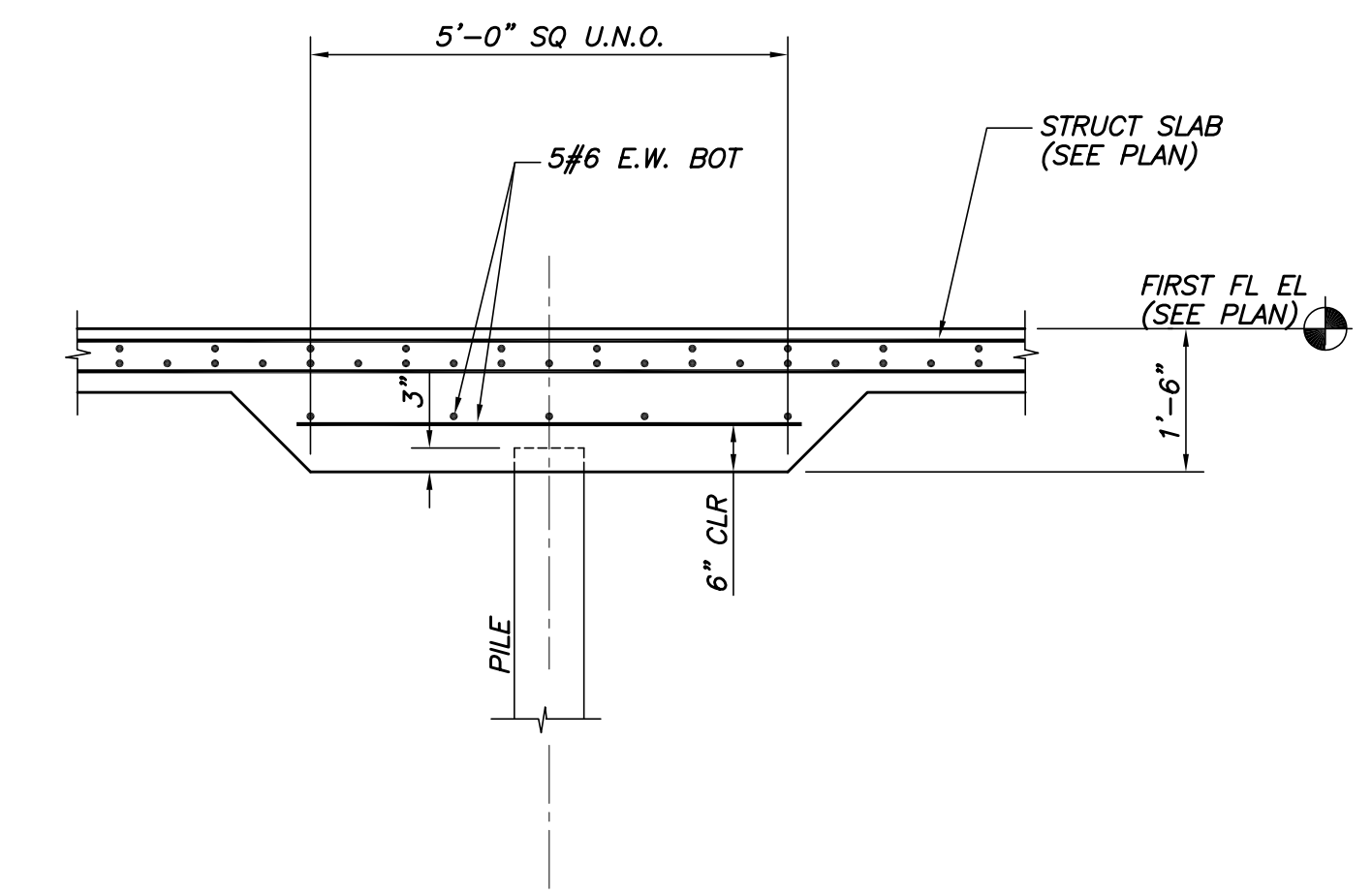


SECTION 2
1/2"=1'-0"

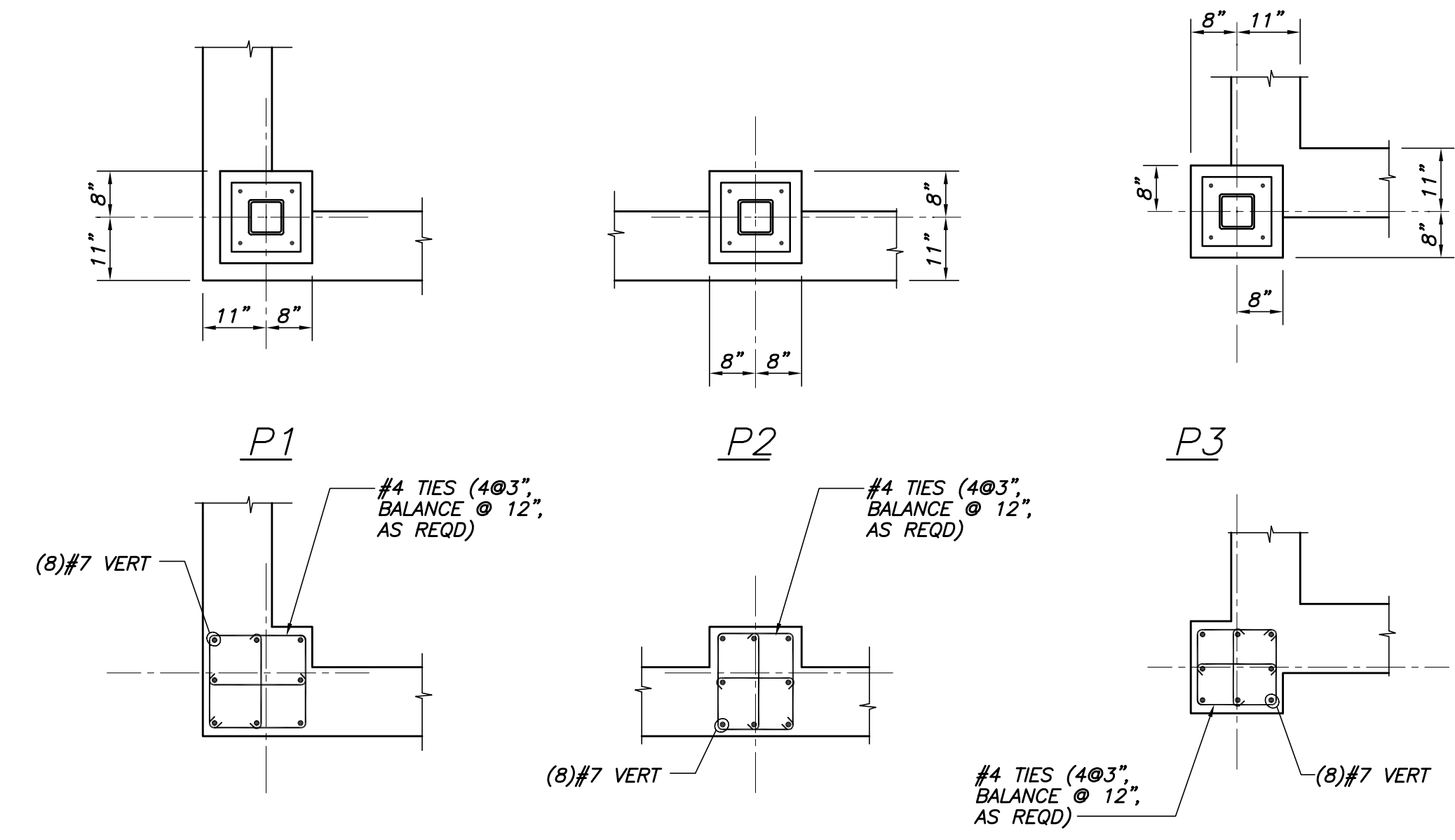
NOTE: SEE FRAMING PLANS, COLUMN SCHEDULE & STEEL DETAILS FOR COLUMN, BASE PL & ANCHOR BOLT SIZES & ADDL INFO



SECTION 3
1/2"=1'-0"



SECTION 4
1/2"=1'-0"



TYP PIER DETAILS
N.T.S.

ISSUED FOR PERMITTING
NOT FOR CONSTRUCTION
JUNE 21, 2004



CWS Architects

Architecture
Space Planning
Value Design

434 Cumberland Avenue
Portland, ME 04101
Phone: (207)774-4441
Fax: (207)774-4016
www.CWSarch.com

BECKER

structural engineers, inc.
75 York Street
Portland, ME 04101-4701
Tel: 207-679-1838
Fax: 207-679-1822
www.beckerinc.com

Owner:
Client: FIVE LIVER COMPANY
135 MARGINAL WAY
PORTLAND, MAINE 04101

135 MARGINAL WAY

PORTLAND, MAINE

Project No: 03409 MLT

Drawing Title:
FOUNDATION SECTIONS AND DETAILS

Scale: AS NOTED
Date: 06-21-2004

Revisions:
△
△
△
△
△

Drawing Number:
S2.2