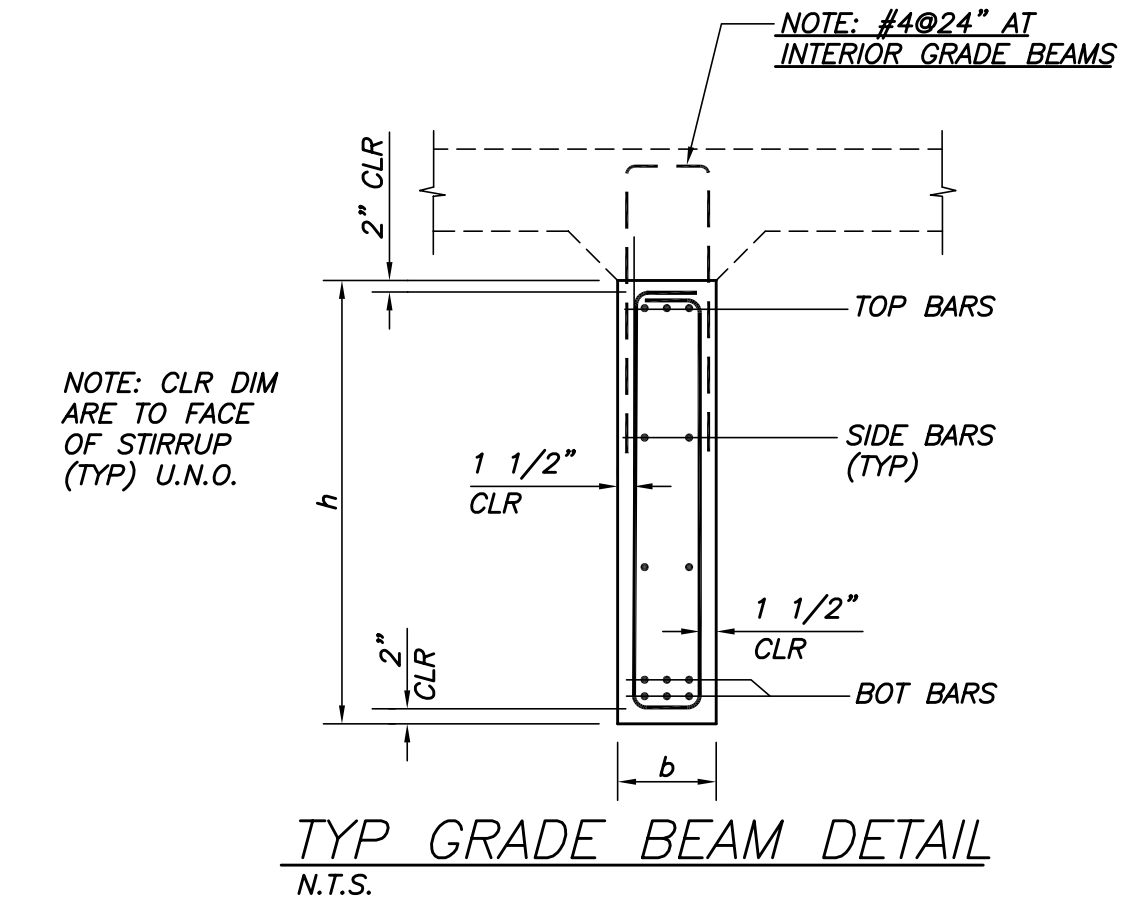
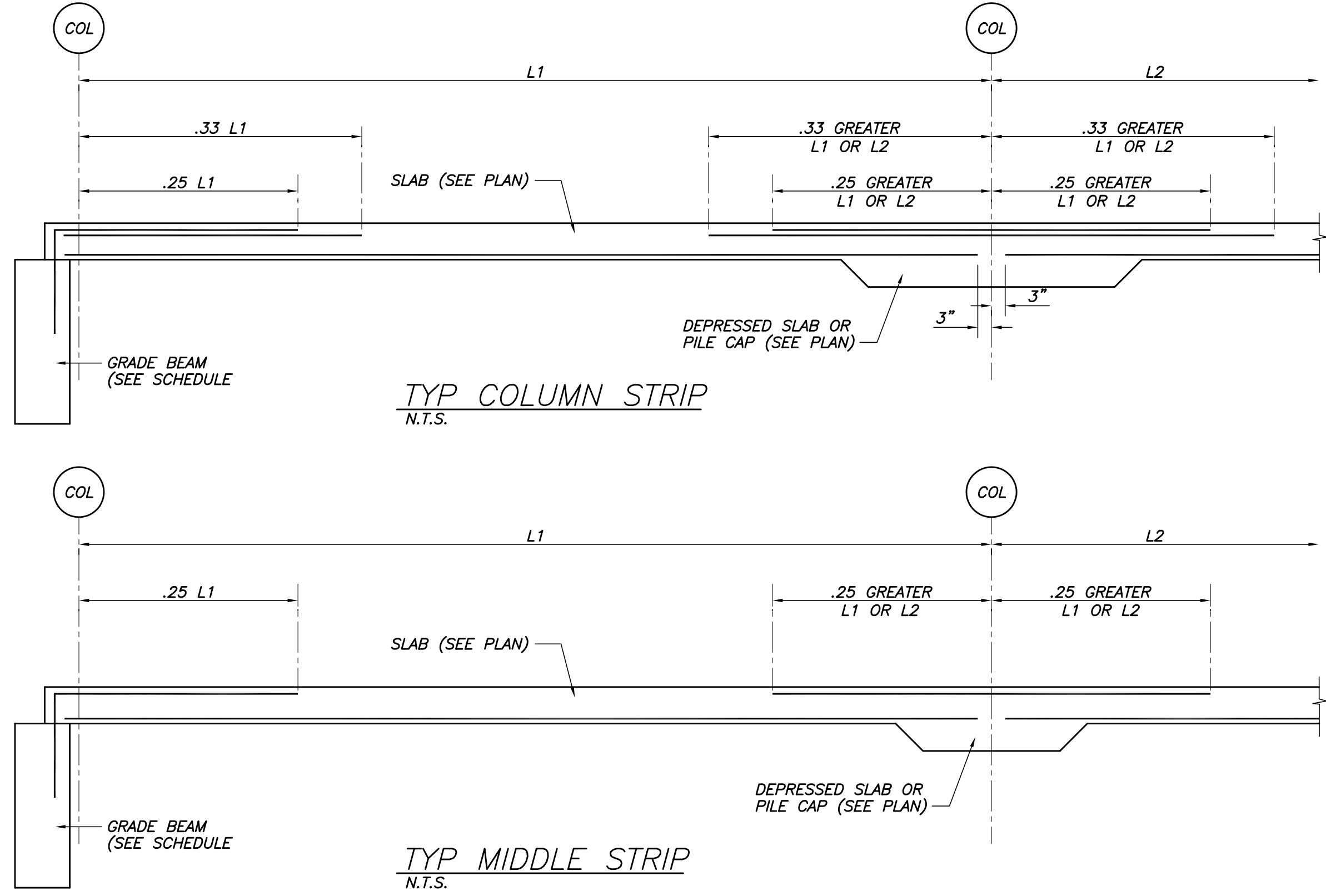
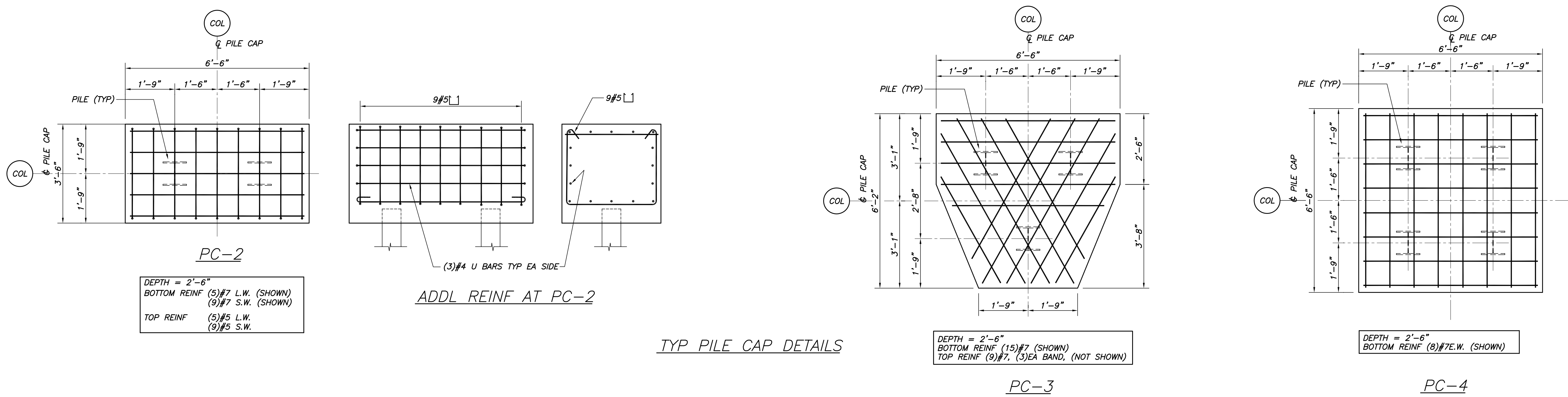


ISSUED FOR PERMITTING  
 NOT FOR CONSTRUCTION  
 JUNE 21, 2004



**GRADE BEAM SCHEDULE**

MARK	SIZE		TOP BARS	BOT BARS	STIRRUPS	SIDE BARS	REMARKS
	b	h					
GB-1	12"	54"	4#7	4#7	#4 (SEE TYP G.B. ELEVATION)	(2) ROWS #5	
GB-2	18"	54"	4#7	4#7	#4 (SEE TYP G.B. ELEVATION)	(2) ROWS #5	
GB-3							
GB-4							

