



CWS Architects

Architecture  
Space Planning  
Value Design

434 Cumberland Avenue  
Portland, ME 04101  
Phone: (207) 774-4441  
Fax: (207) 774-4016  
www.CWSarch.com

BECKER  
structural engineers, inc.  
75 York Street  
Portland, ME 04101-4701  
Tel: 207-679-1838  
Fax: 207-679-2822  
www.becker-engineers.com

Owner:  
Client:  
FIVE LIVER COMPANY  
135 MARGINAL WAY  
PORTLAND, MAINE 04101

135 MARGINAL WAY  
PORTLAND, MAINE

Project No: 03409 MLT

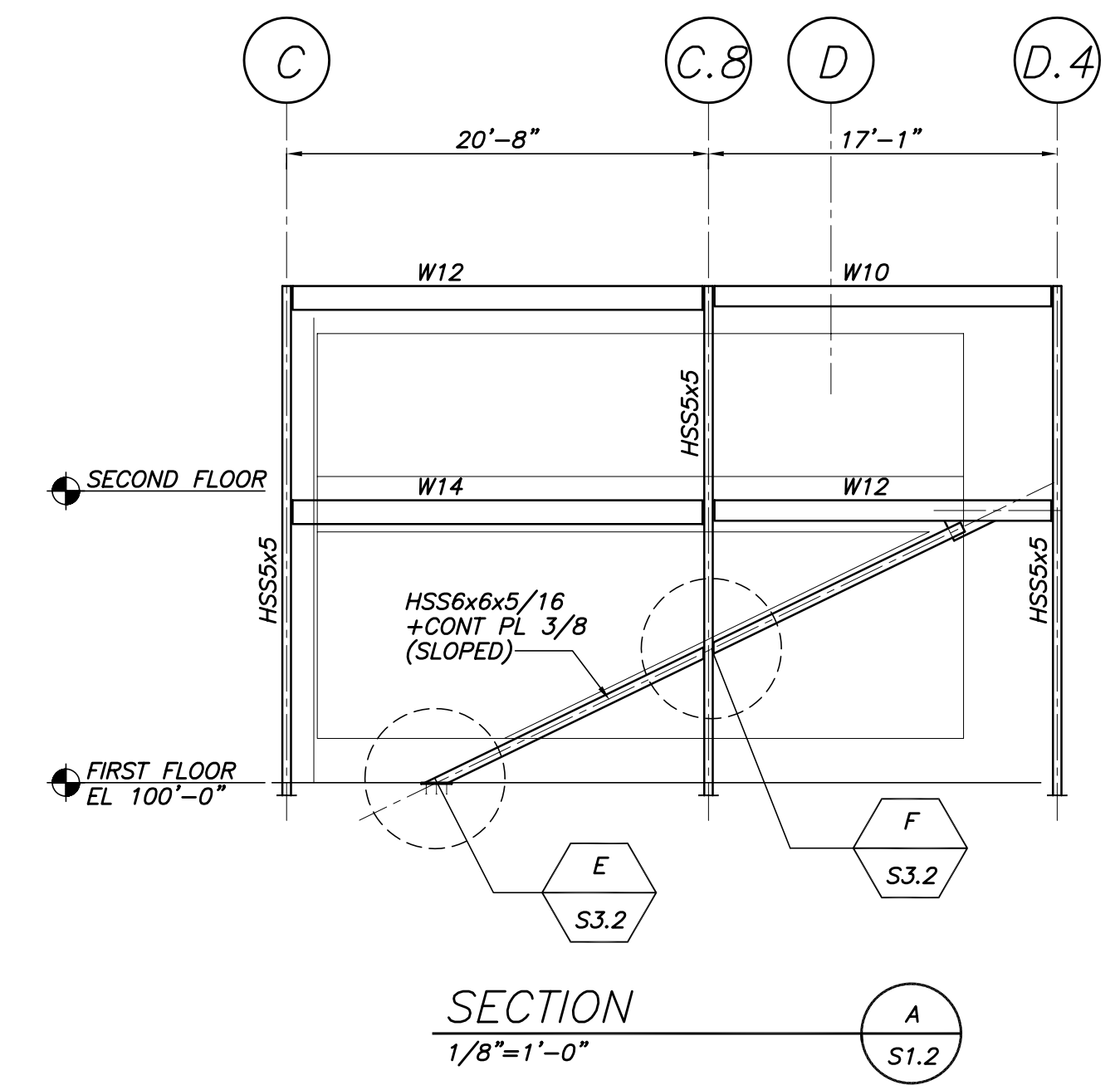
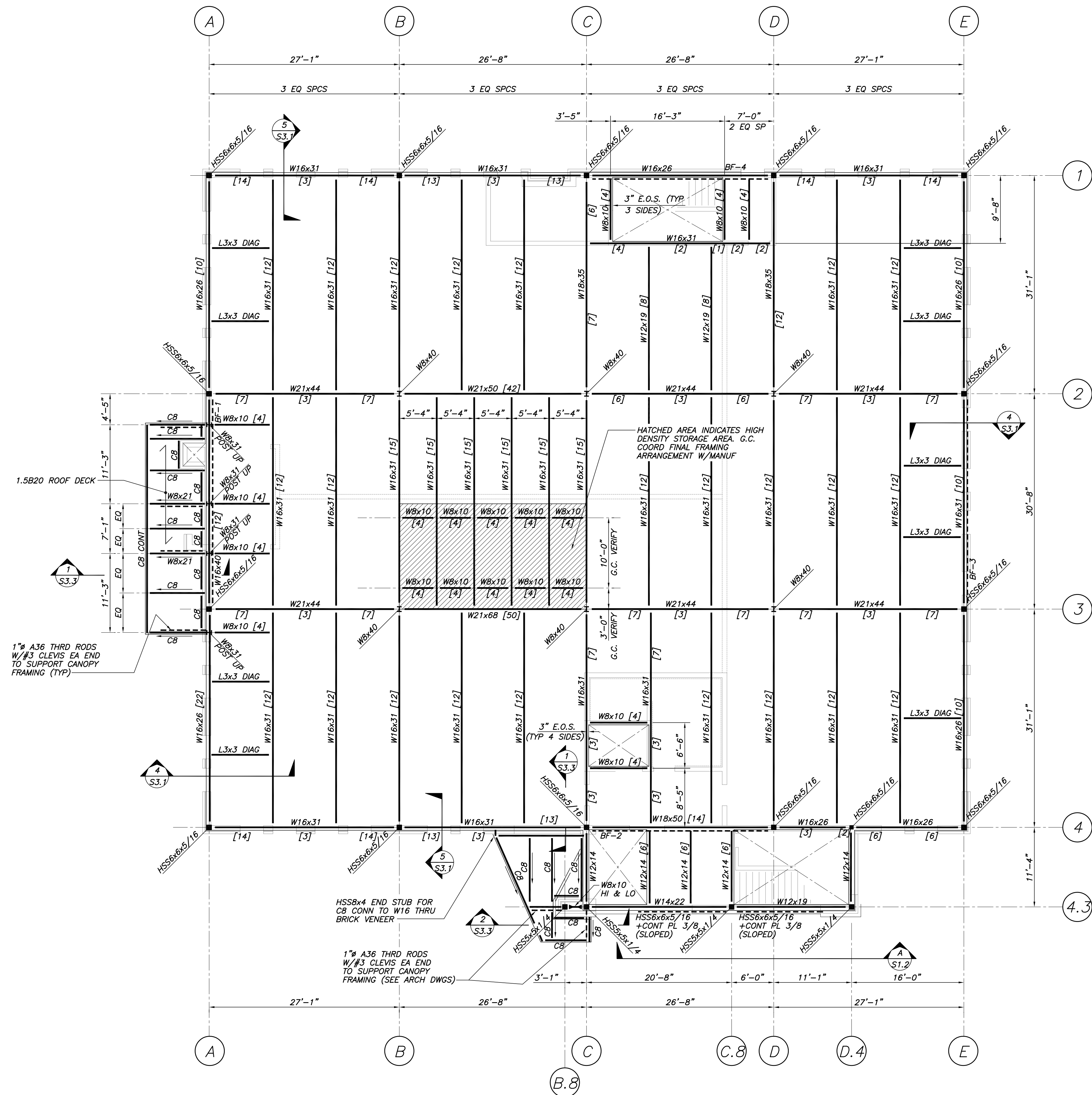
Drawing Title:  
SECOND FLOOR FRAMING PLAN

Scale: AS NOTED  
Date: 06-21-2004

Revisions:  
▲  
▲  
▲  
▲  
▲

Drawing Number:

S1.2



SECOND FLOOR FRAMING PLAN

1/8"=1'-0"  
NOTES:

- 1. FLOOR CONSTRUCTION CONSISTS OF A 5 1/2" NORMAL WEIGHT, 3,000 PSI CONCRETE SLAB ON 3/4" 20GA GALVANIZED METAL DECK. (2 1/2" CONCRETE FILL OVER 3" DECK). PROVIDE 6x6-W1.4xW1.4 W.W.F.
- 2. TOP OF 5 1/2" CONC SLAB EL 113'-10".
- 3. TOP OF STEEL EL 113'-4 1/2" U.N.O.
- 4. [22], ETC INDICATES 3/4"x4 1/2" LG HEADED SHEAR STUDS SPACED UNIFORMLY ALONG BEAM OR BETWEEN CONCENTRATED LOADS.
- 5. BRACING INDICATES BRACING. SEE BRACING ELEVATIONS DWG S1.3.

ISSUED FOR PERMITTING  
NOT FOR CONSTRUCTION  
JUNE 21, 2004