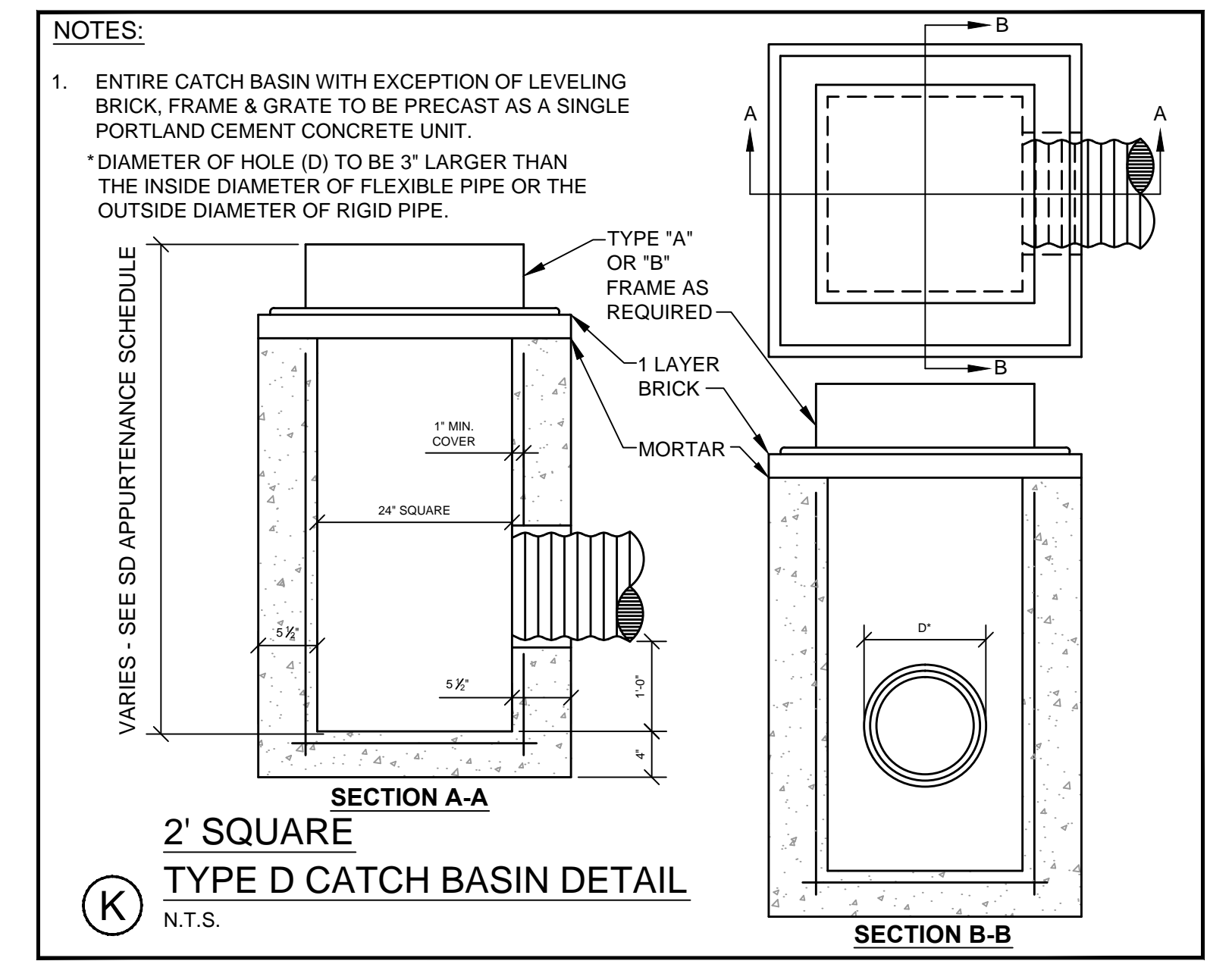
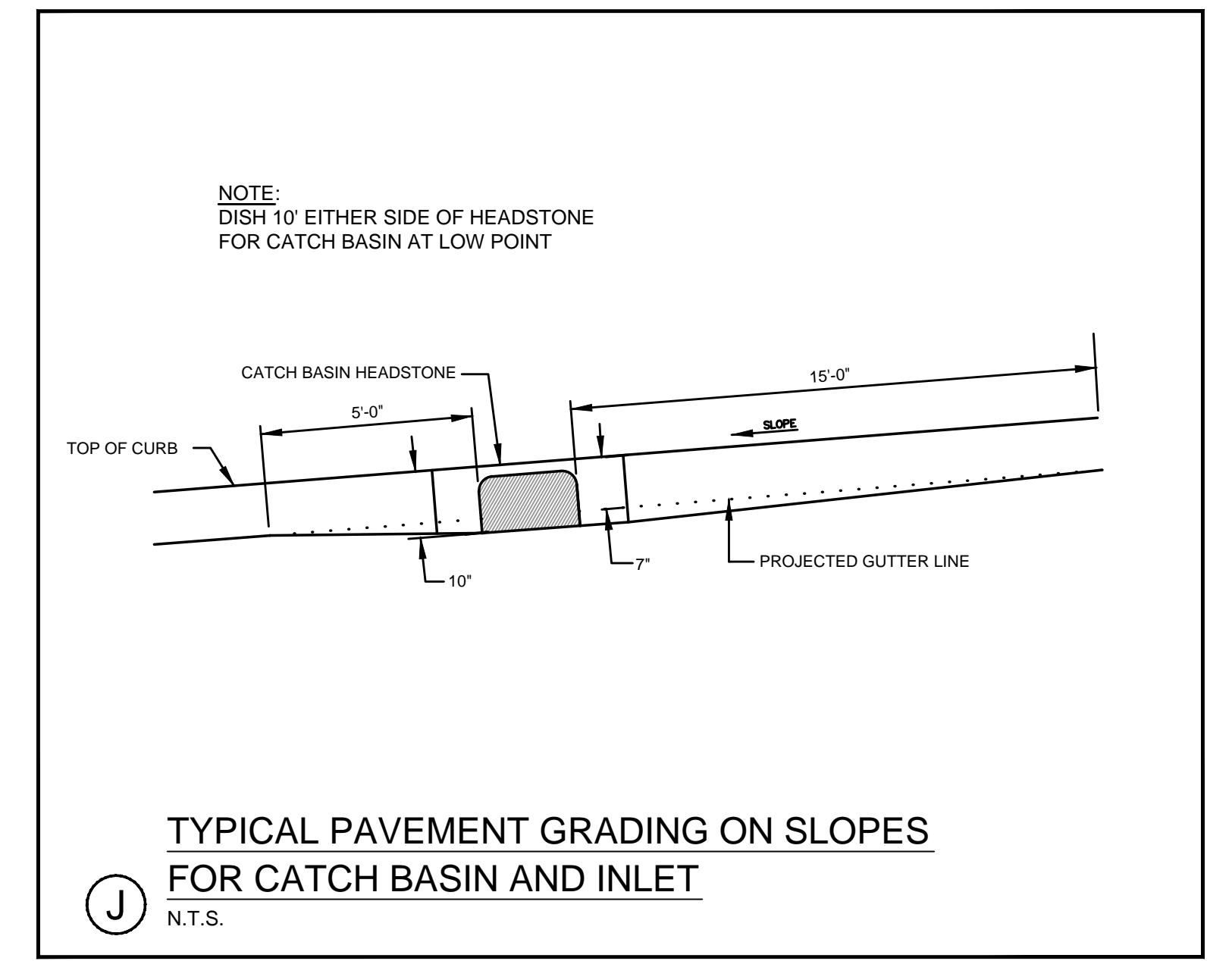
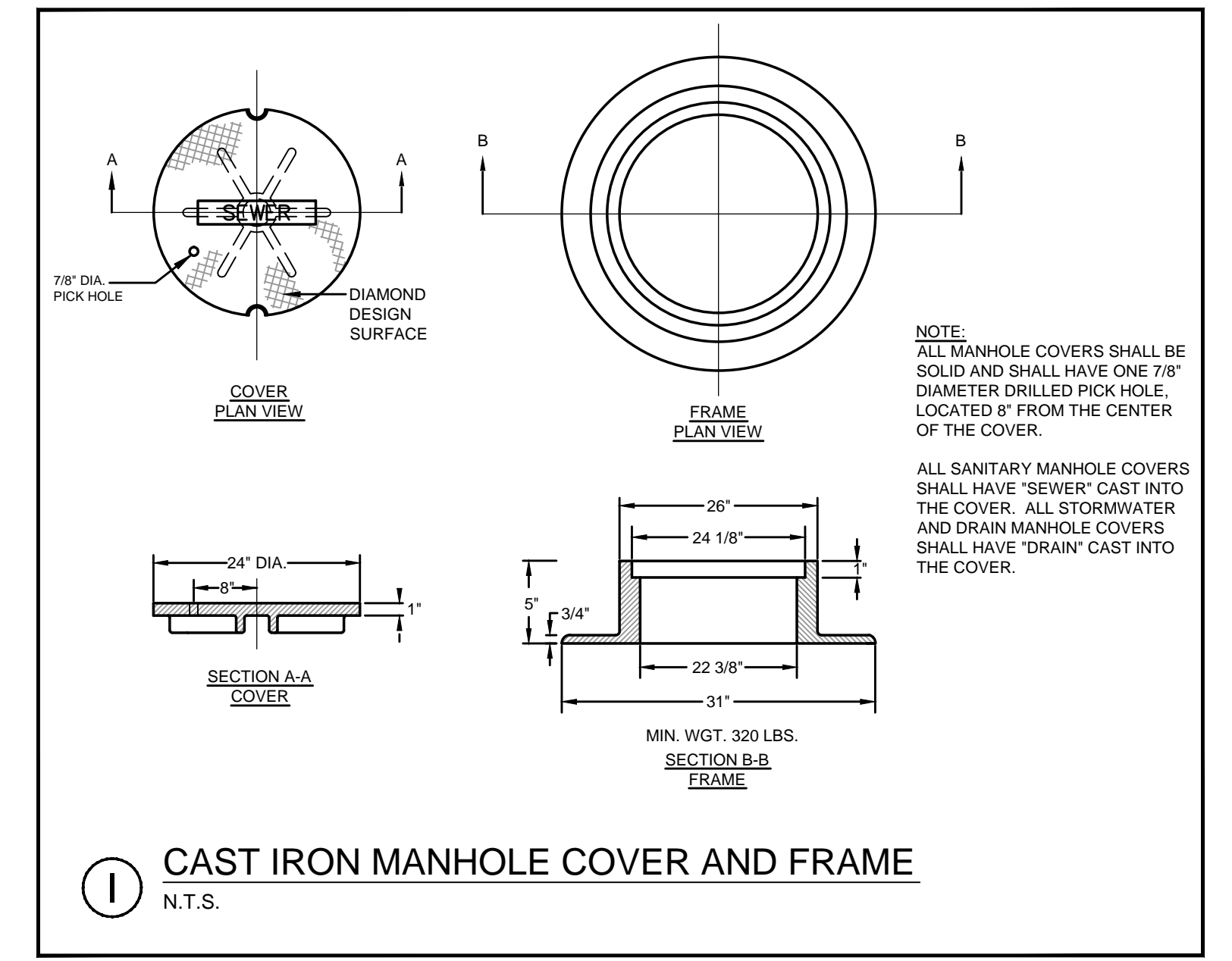
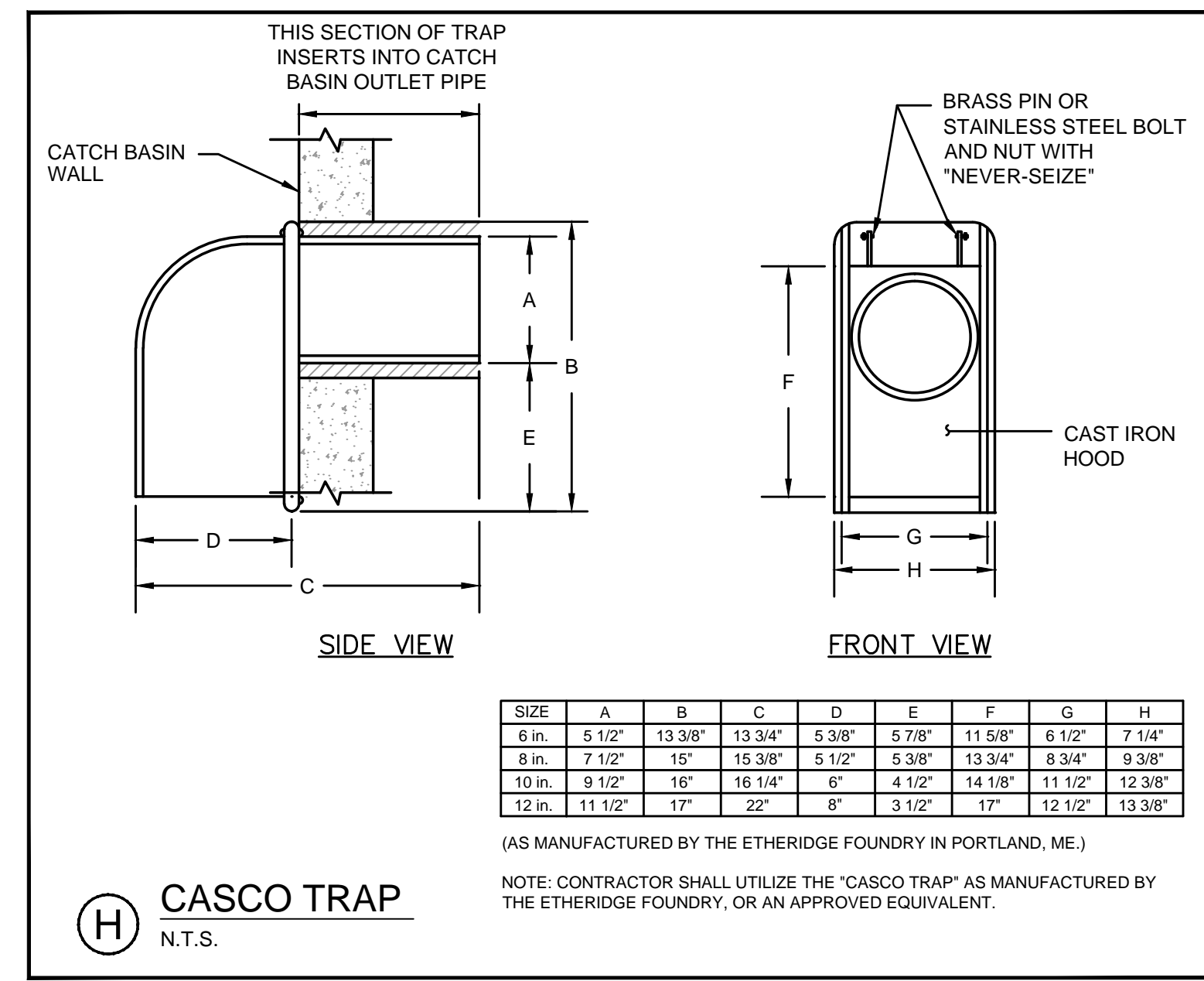
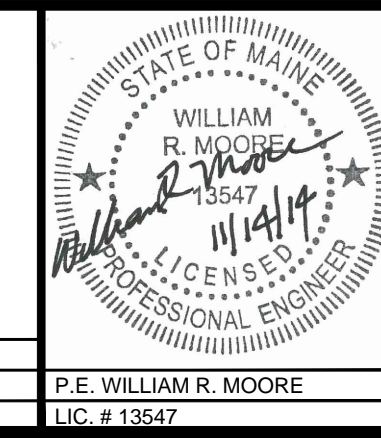


- G GENERAL NOTES FOR MANHOLES AND CATCH BASINS**
N.T.S.
- ALL CONCRETE SHALL HAVE A MINIMUM ULTIMATE COMPRESSIVE STRENGTH OF 4000 LBS. PER SQ. INCH AT THE END OF 28 DAYS, UNLESS OTHERWISE NOTED.
 - MANHOLES MAY BE CONSTRUCTED OF PRECAST REINFORCED CONCRETE, OR CAST IN PLACE.
 - PRECAST REINFORCED CONE BARREL MANUFACTURED PER ASTM SPEC. C-478.
 - ALL STORM AND SEWER MANHOLE COVERS SHALL BE SOLID AND SHALL HAVE ONE 7/8" DIAMETER DRILLED PICK HOLE LOCATED 8" FROM THE CENTER OF THE COVER.
 - ALL SANITARY MANHOLE COVERS SHALL HAVE "SEWER" CAST INTO THE COVER. ALL STORMWATER/RAIN MANHOLE COVERS SHALL HAVE "DRAIN" CAST INTO THE COVER.
 - ALL MANHOLE RISERS SHALL BE ETHERIDGE 24" OR APPROVED EQUAL.
 - SEWER BRICK SHALL CONFORM TO ASTM SPEC. DESIGNATE ON C-32-63, GRADE MA AND SA.
 - ALL SANITARY MANHOLES SHALL HAVE A WATERPROOFING COATING APPLIED TO THE EXTERIOR SURFACE.
 - CATCH BASIN FRAMES FOR TYPE A4 CATCH BASIN CURB INLETS SHALL BE ETHERIDGE DR5A OR APPROVED EQUAL.
 - CASTINGS SHALL CONFORM TO ASTM DESIGNATION A48-CLASS 35.
 - EXISTING MANHOLES, CATCH BASINS, FRAMES, AND COVERS SHALL BE SALVAGED BY THE CONTRACTOR, AND SHALL REMAIN THE PROPERTY OF THE CITY OF PORTLAND.
 - ALL CATCH BASIN OUTLETS SHALL BE INSTALLED WITH A CASCO TRAP, SEE DETAIL H.



PRELIMINARY - NOT FOR CONSTRUCTION

REV	DATE	DESCRIPTION	REVISIONS
1	11.14.14	FINAL LEVEL III SUBMISSION TO CITY OF PORTLAND	



PROJECT: midtown
PORTLAND, MAINE

SHEET TITLE: SAN SEWER AND STORM DRAIN DETAILS

CLIENT: THE FEDERATED COMPANIES

FST 100 YEARS
FAY, SPOFFORD & THORNDIKE
ENGINEERS - PLANNERS - SCIENTISTS
778 MAIN ST., SUITE 8, SOUTH PORTLAND, ME 04106
FORMERLY DELUCA-HOFFMAN ASSOCIATES

DRAWN: KEV DATE: OCTOBER 2014
DESIGNED: WGH/BEK SCALE: NTS
CHECKED: WGH/SRB JOB NO. SP-M037B
FILE NAME: 3062-DETAIL SHEETS
SHEET C-7.3