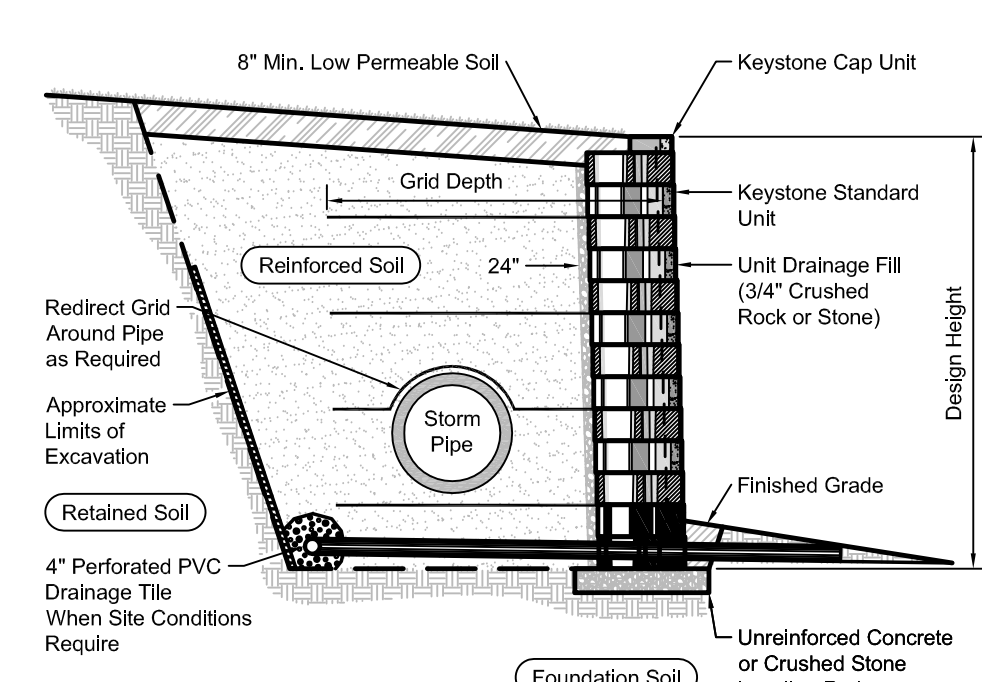
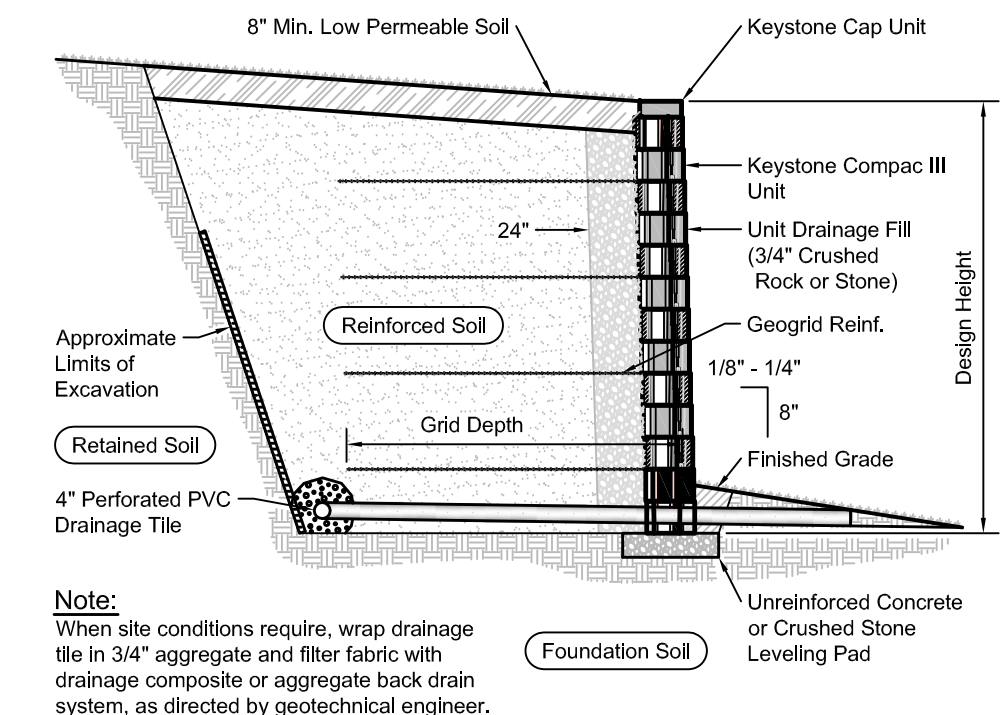


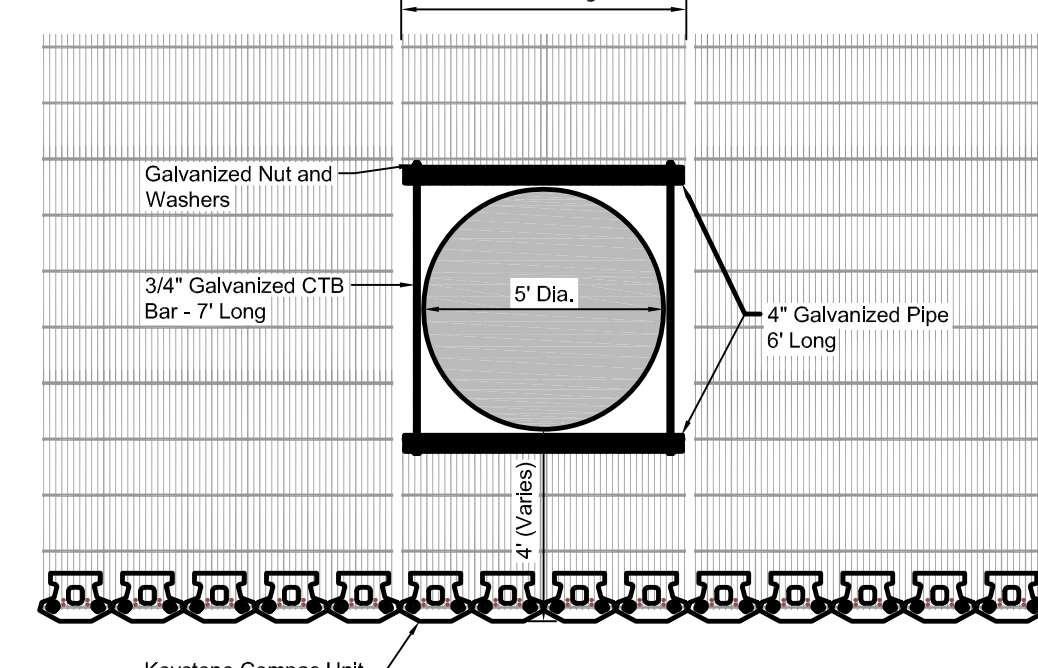
A TYPICAL REINFORCED WATER WALL SECTION
N.T.S.



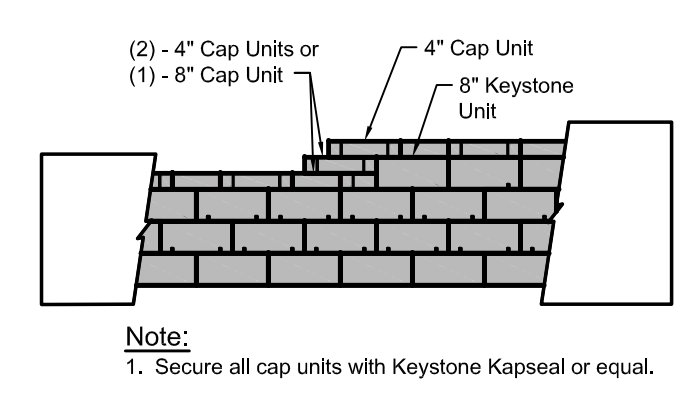
D WALL SECTION WITH PIPE IN REINFORCED ZONE
N.T.S.



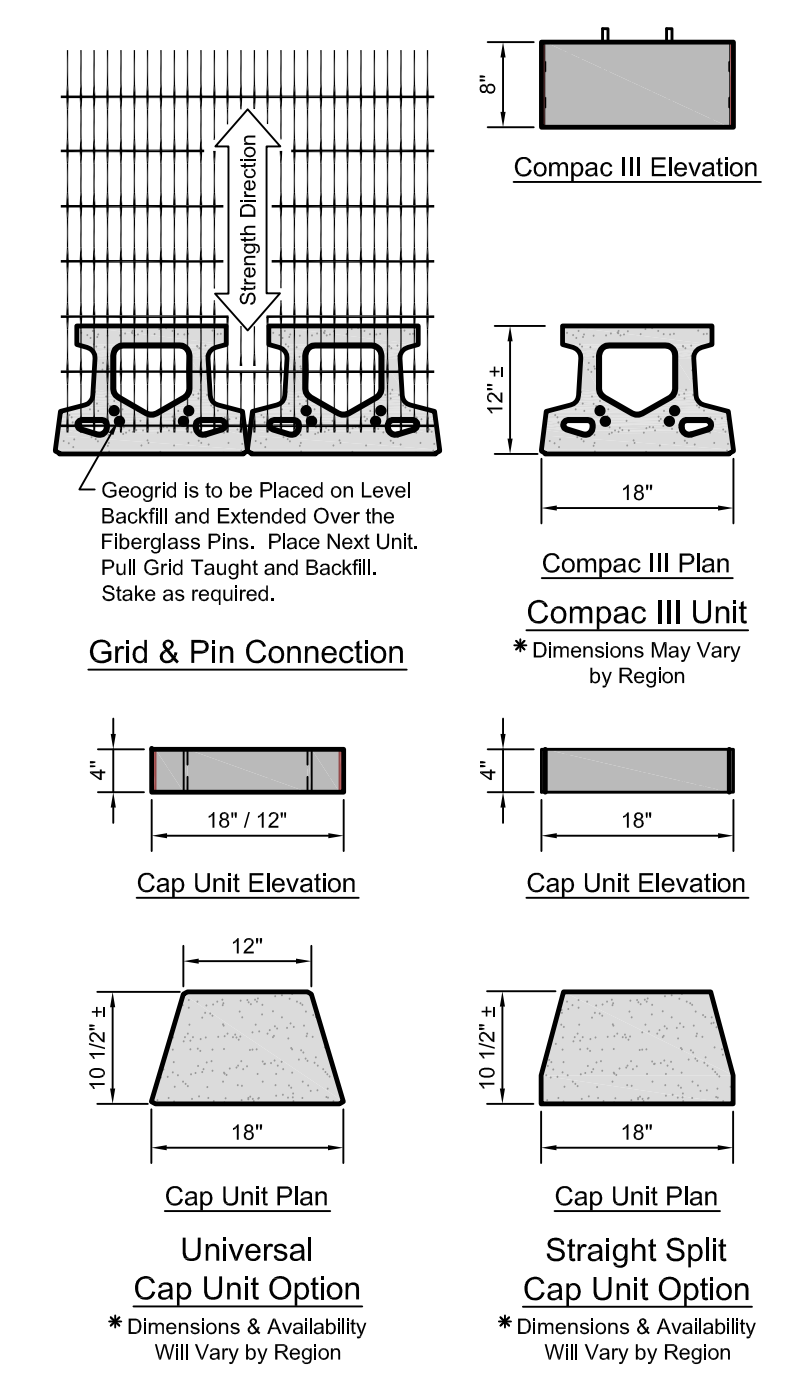
H TYPICAL REINFORCED WALL SECTION
N.T.S.



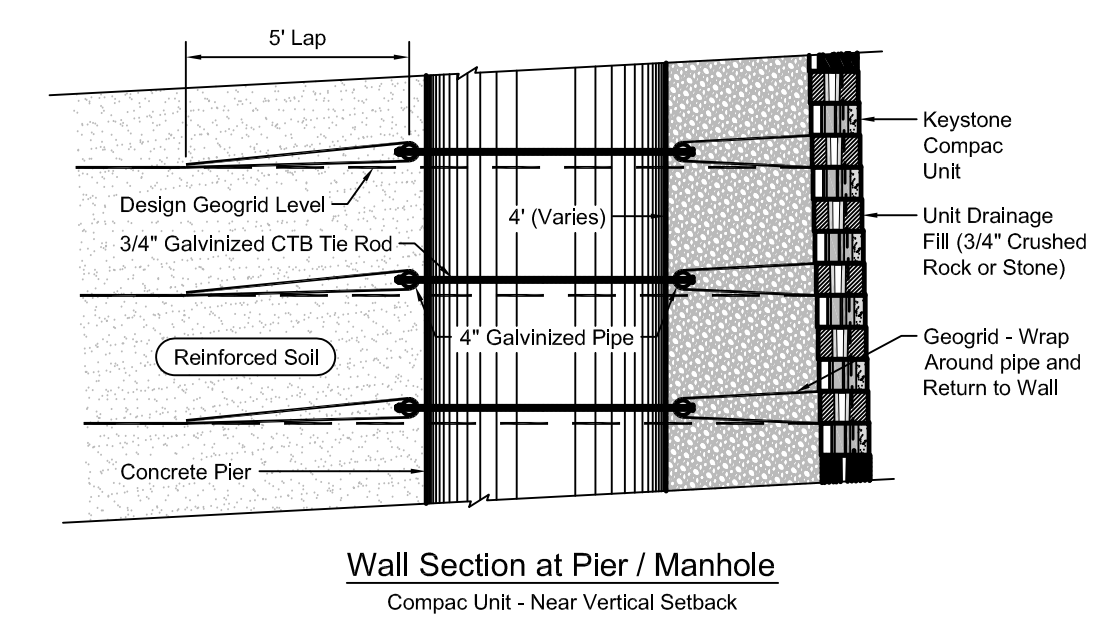
B WALL AT PIER / MANHOLE
N.T.S.



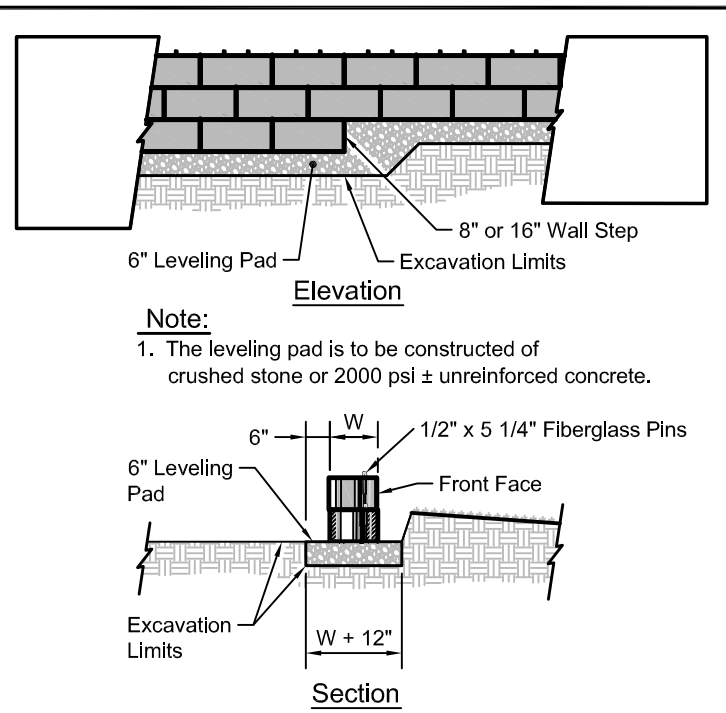
E TOP OF WALL STEPS
N.T.S.



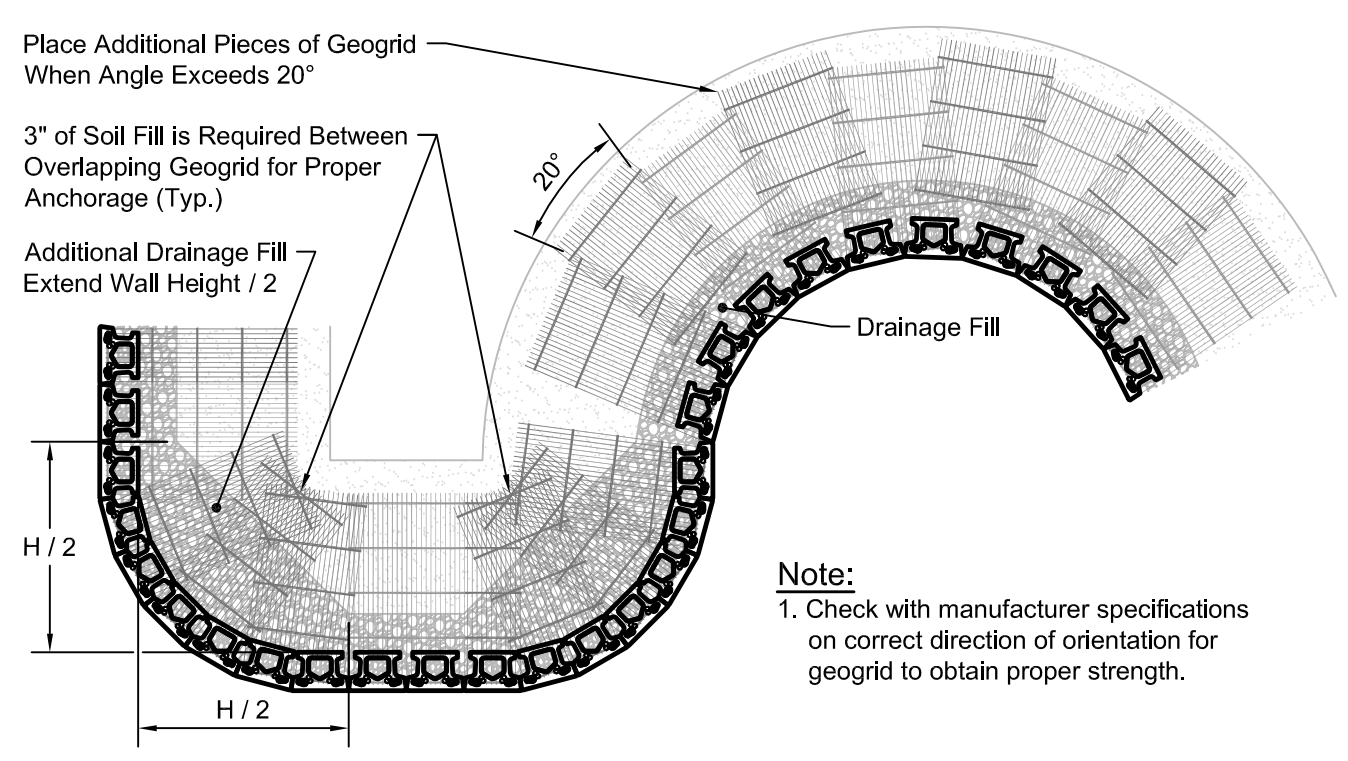
I WALL CAPS, BLOCK UNITS & GEOGRID INSTALLATION
N.T.S.



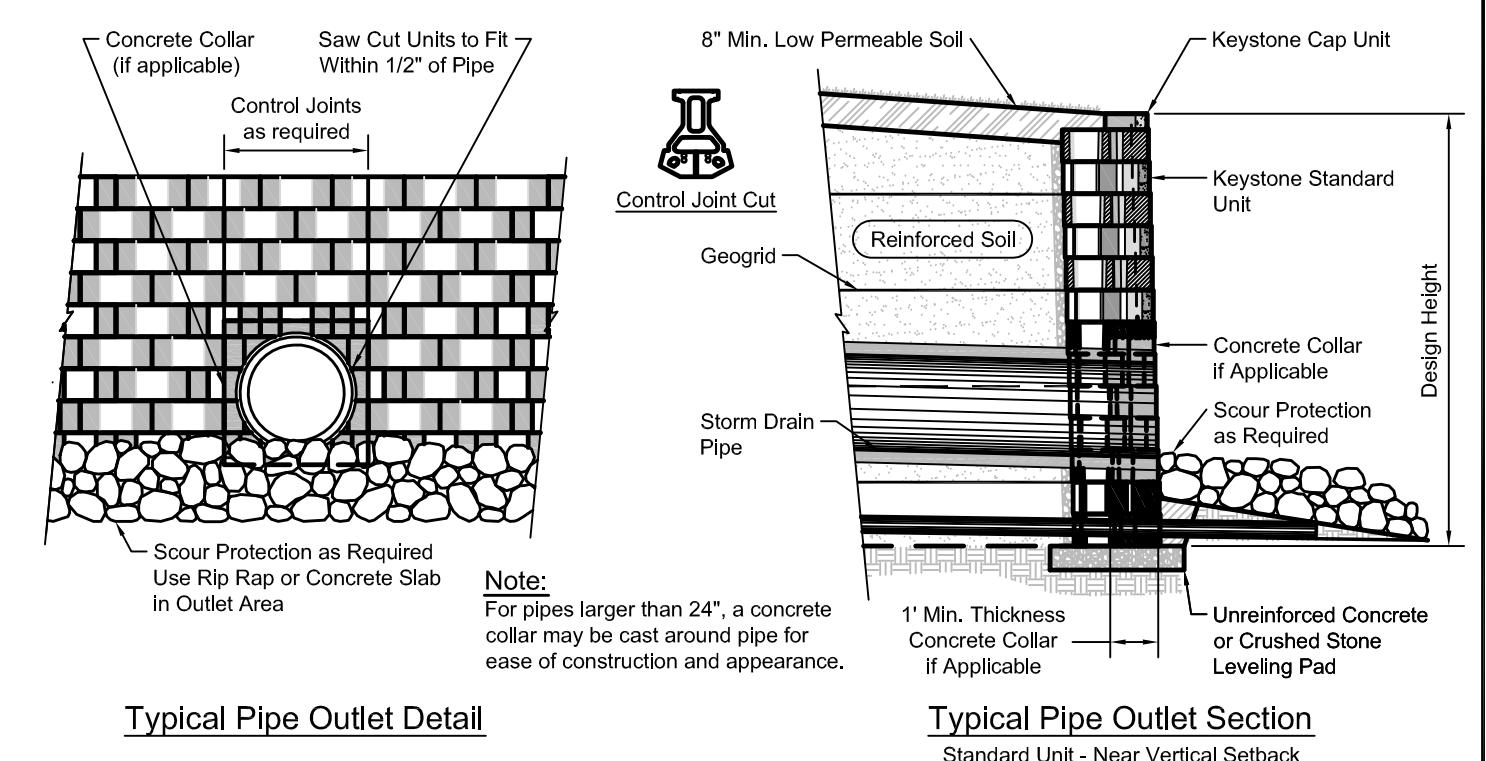
C WALL SECTION AT PIER / MANHOLE
N.T.S.



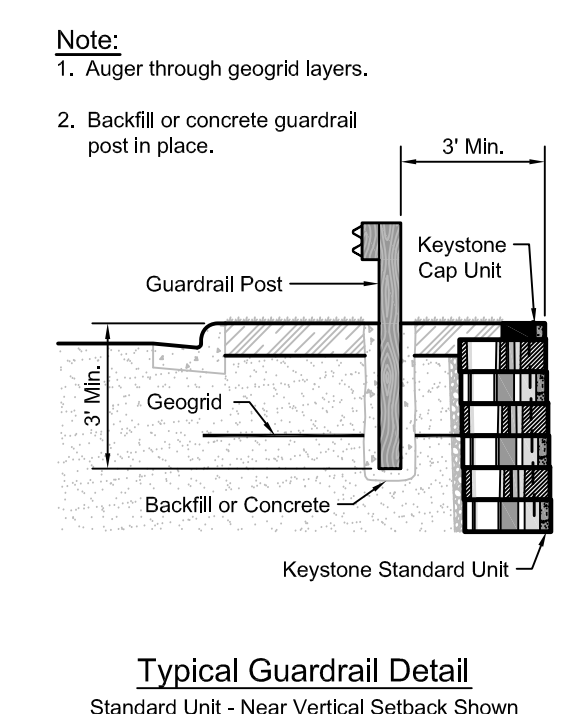
F LEVELING PAD DETAIL
N.T.S.



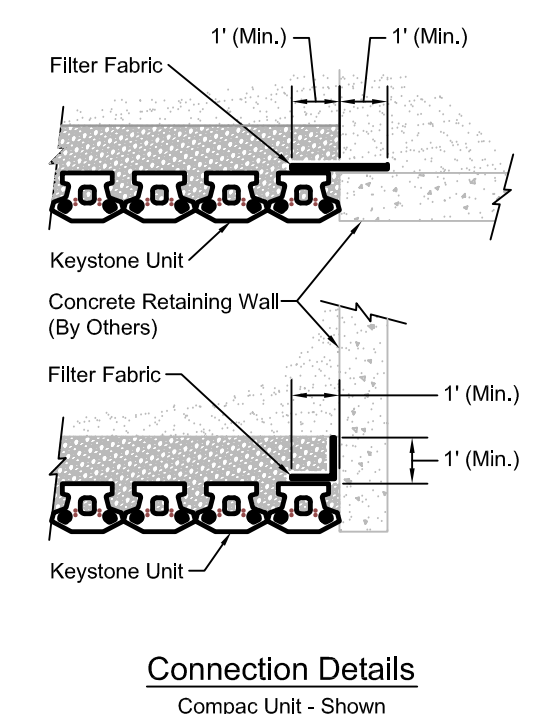
G GEOGRID INSTALLATION ON CURVES
N.T.S.



G TYPICAL PIPE OUTLET
N.T.S.



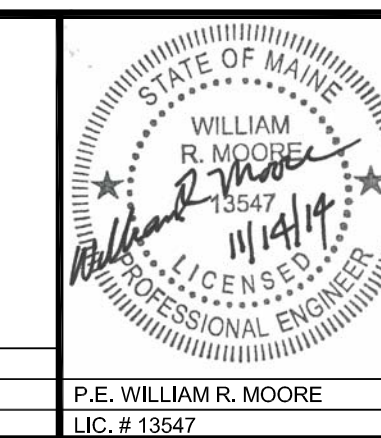
J TYPICAL GUARDRAIL DETAIL
N.T.S.



K CONNECTION DETAILS
N.T.S.

PRELIMINARY - NOT FOR CONSTRUCTION

REV	DATE	DESCRIPTION	REVISIONS
1	11.14.14	FINAL LEVEL III SUBMISSION TO CITY OF PORTLAND	



PROJECT	midtown PORTLAND, MAINE
SHEET TITLE	RETAINING WALL DETAILS
CLIENT	THE FEDERATED COMPANIES

FAY, SPOFFORD & THORNDIKE ENGINEERS · PLANNERS · SCIENTISTS 778 MAIN ST., SUITE 8, SOUTH PORTLAND, ME 04106	
DRAWN: KEW	DATE: OCTOBER 2014
DESIGNED: WGH/BEK	SCALE: AS NOTED
CHECKED: WGH/SRB	JOB NO. SP-M037B
FILE NAME: 3062-RET WALL OPTIONS	
SHEET	C-7.13