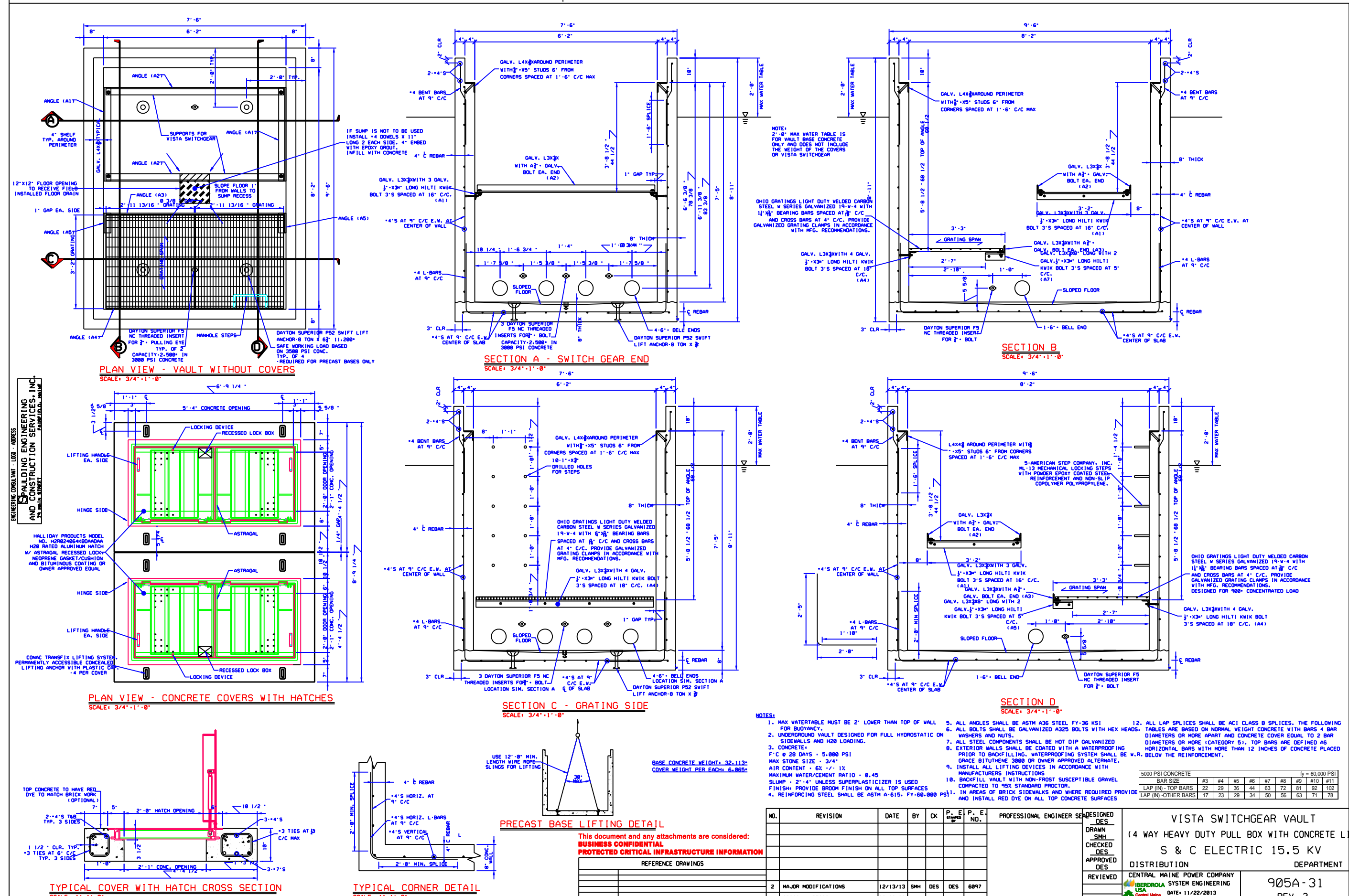
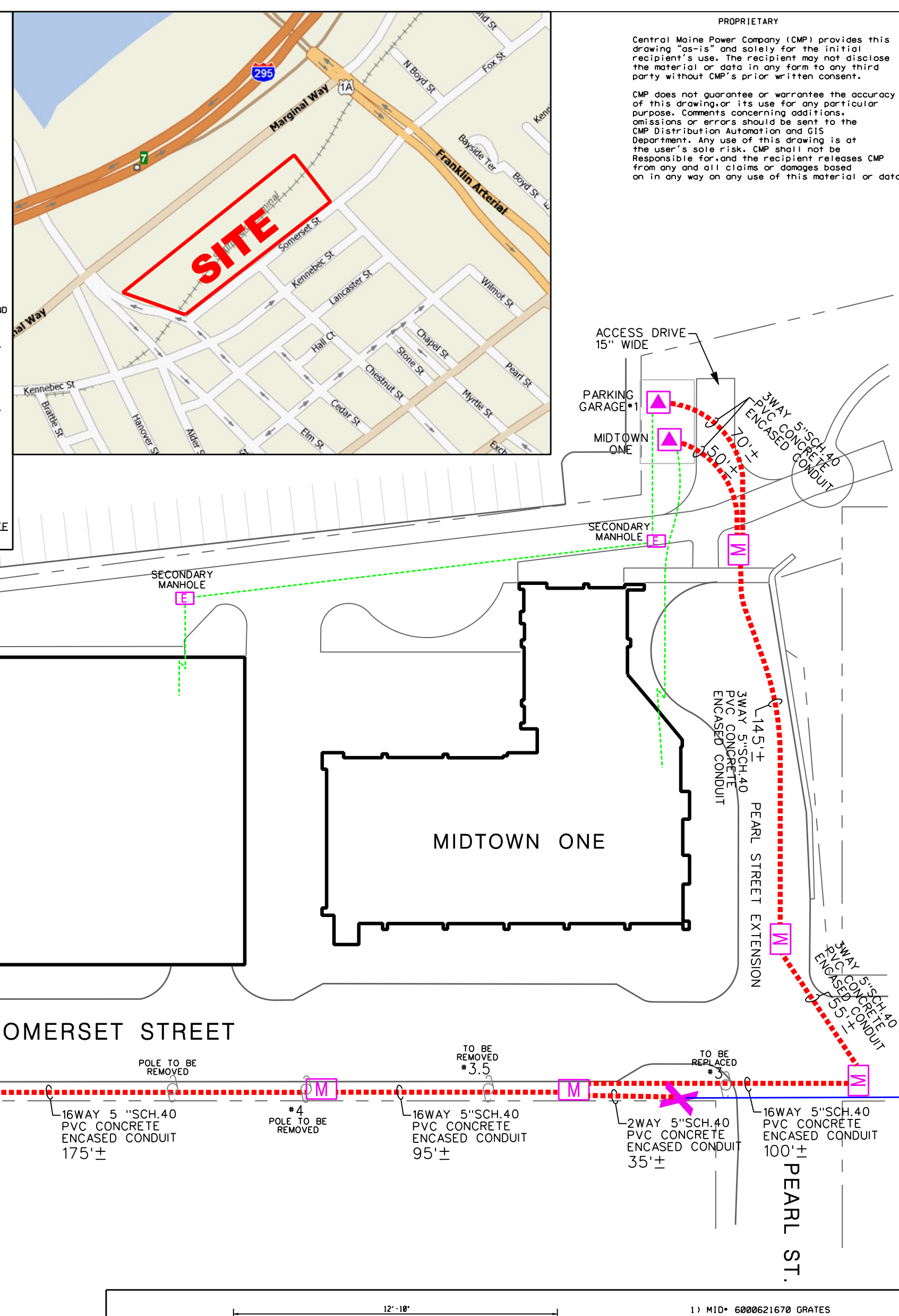
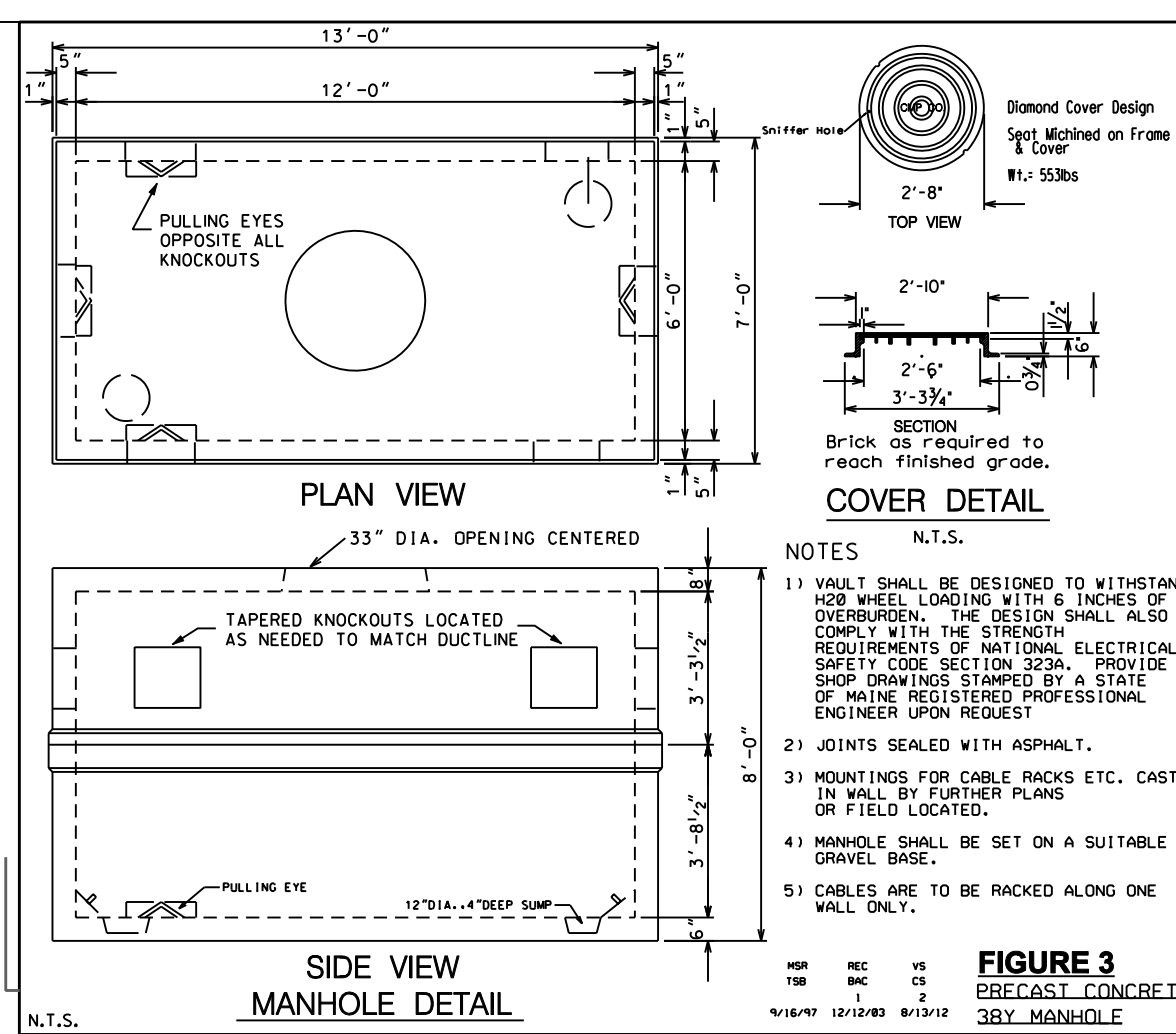
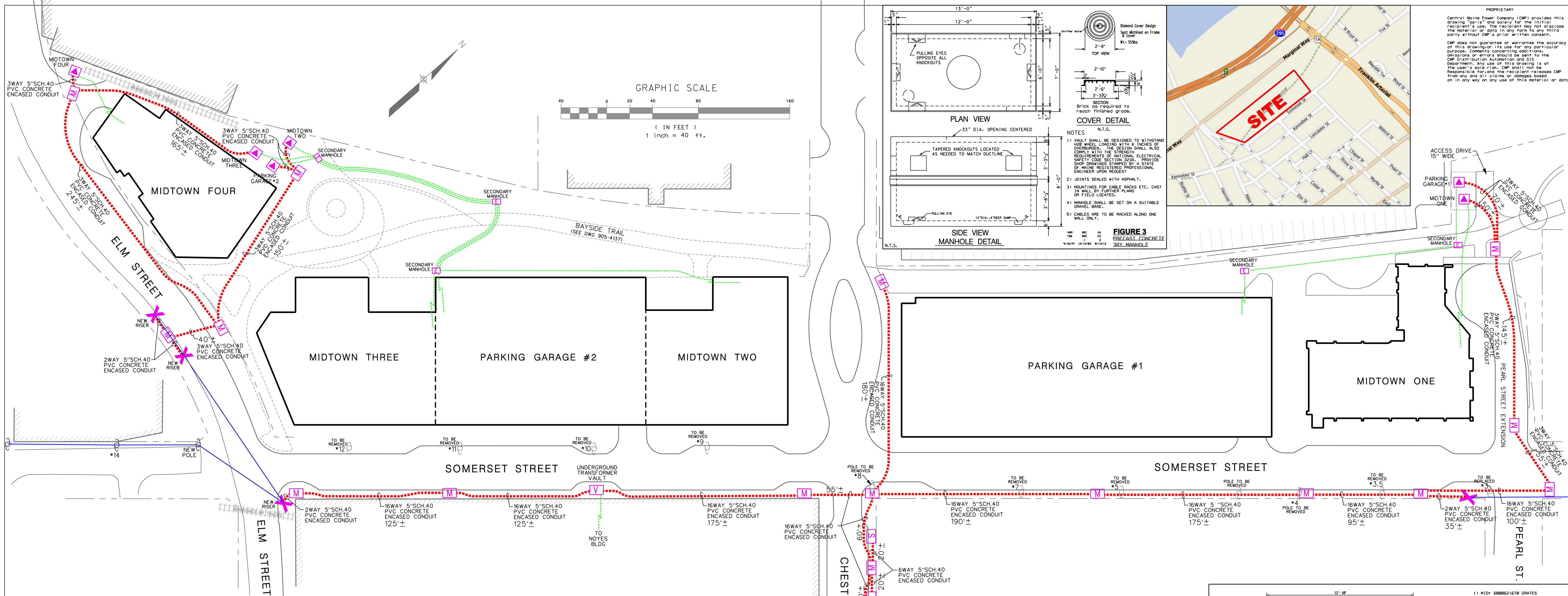


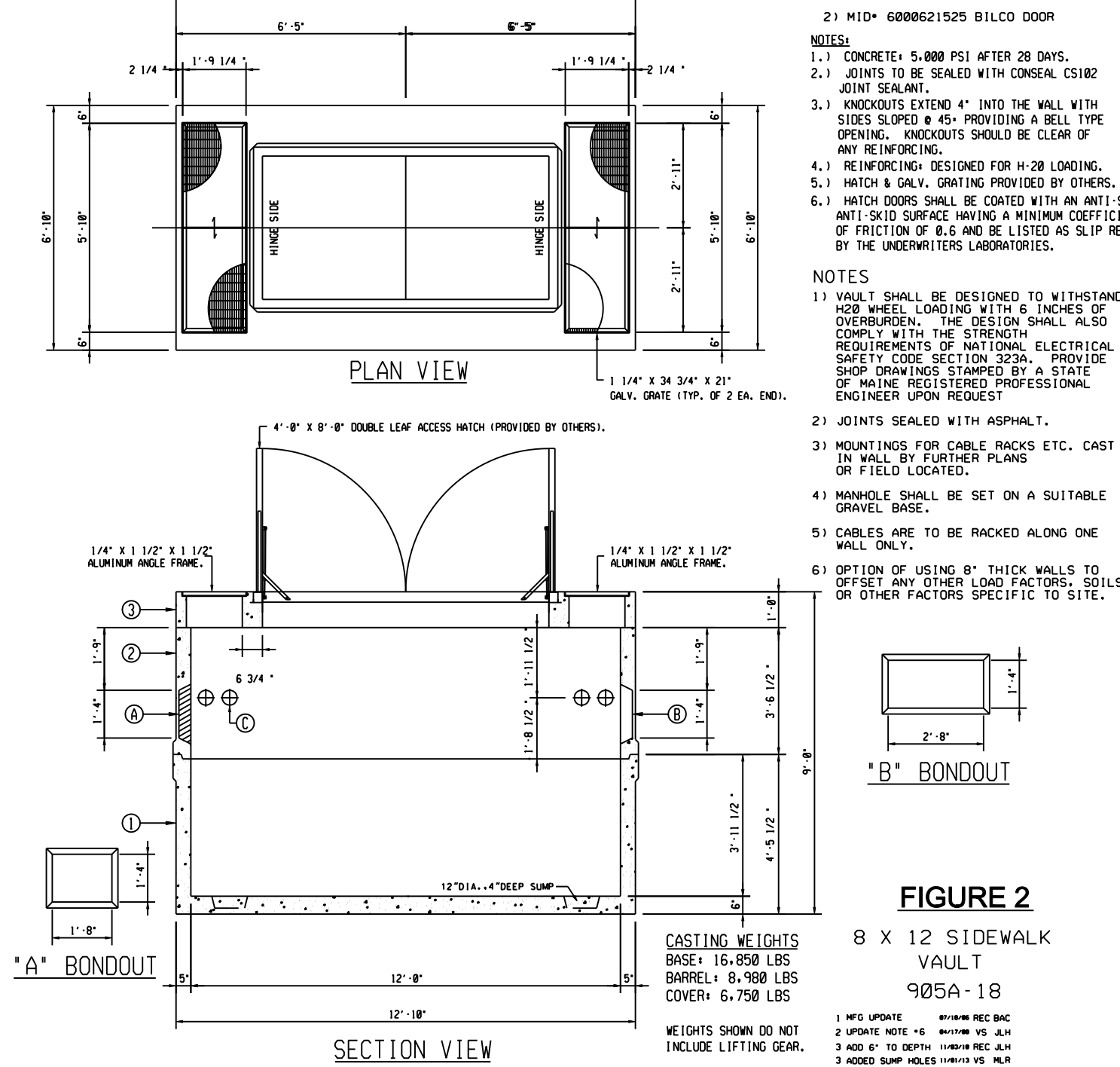
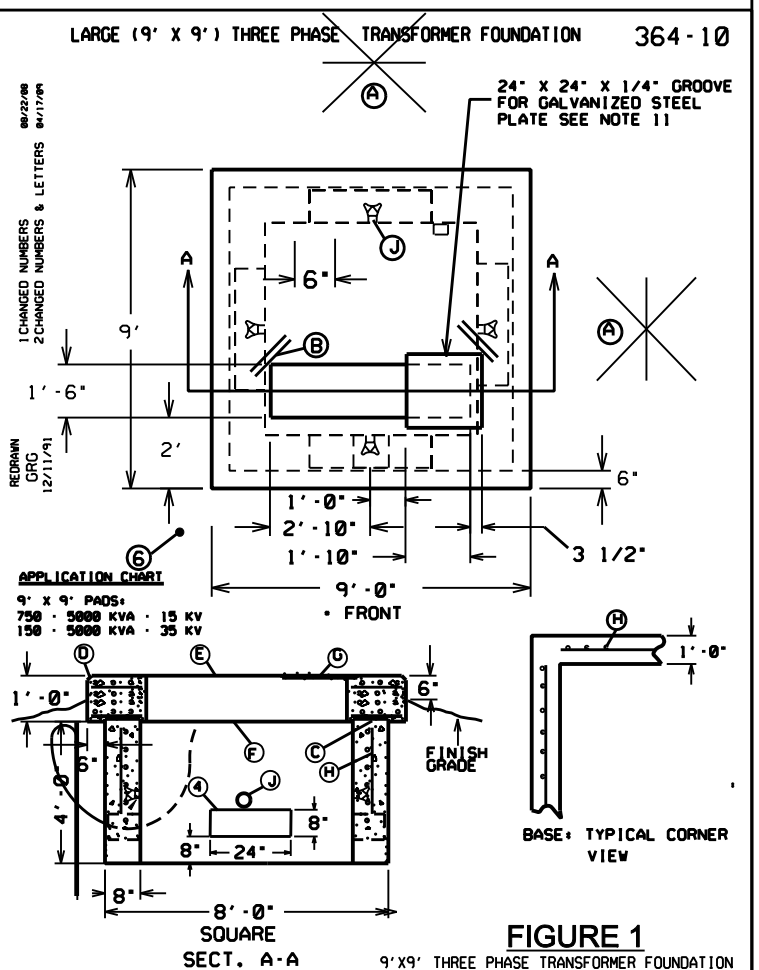
This document and any attachments are considered:
BUSINESS CONFIDENTIAL
PROTECTED CRITICAL INFRASTRUCTURE INFORMATION



- STANDARD NOTES:**
- Electrical installations to conform to Central Maine Power Company's Handbook of Requirements for Electric Service and Meter Installations.
 - Conduit is required under all roads, driveways, and paved areas for both primary and secondary cables.
 - At each transformer location a level 10-foot by 10-foot area will be provided as shown on Illustration #21 in the Handbook of Requirements. The elevation of this area shall be sufficiently high to always be above the highest expected water level and/or above the top of any nearby ditch slope. The transformer foundation shall be installed so the top of the foundation is 6 inches above this elevation. The transformer foundation shall be installed no more than 20 feet from a road surface.
 - Primary voltage cable to be 15kV 500CU and 15kV 4/0 CU.
 - Feed thru bushings, elbows and pad covers will be required for any location where a pad mount transformer is not initially installed. Transformer installations should be coordinated with the service center.
 - All construction to be in compliance with CMP's Construction Standards and the latest edition of the National Electrical Safety Code. Conduit shall be a minimum of 5" Schedule 40 PVC or equivalent.
 - Padmount transformer locations shall be graded for proper drainage and maintained by the customer to be readily accessible by truck at all times without causing site damage.
 - See CMP's Handbook of Requirements, Section IX, Paragraphs 910, 911 and 912 for specifications on back-fill materials, depth, etc.
 - All 90 degree bends shall be galvanized long sweep bends. Conduit bend ends required at splice boxes, transformer bases and switch cabinets.
 - Primary cable to be color-coded in all transformer foundations and on riser poles.
 - Primary riser - see Illustration #28 in the Handbook of Requirements.
 - Transformer foundation - see Illustration #25 in the Handbook of Requirements.
 - Conduits shall be properly pitched to drain into transformer foundations, manholes or splice boxes. Three inches per 100 feet minimum slope. If conduits slope toward the riser pole, a company approved drainage box at the riser base shall be installed.
 - Install pulling line in each conduit.
 - The Contractor is required to notify CMP by calling the Line Supervisor at telephone number 791-1020 at least 72 hours before trench excavation begins.

- X Primary Riser
- ▲ 9"x9" Transformer Foundation (See Figure 1)
- ▼ Transformer Vault (See Figure 2)
- M Manhole Primary Type 38Y (See Figure 3)
- S Switchgear Vault (See 905A-31)
- E Manhole Secondary services
- Primary UG
- Secondary UG

Customer: THE FEDERATED COMPANIES
Site Plan Produced By: FAX, SPOFFORD & THORNDIKE, INC.
Address / Phone / Email: 778 MAIN ST-SUITE B SOUTH PORTLAND, ME 04106 (FORMERLY DELUCA-HOFFMAN)
Sheet Title: MIDTOWN ELECTRICAL DISTRIBUTION PLAN
SOMERSET STREET
Revision #: 6 Date:12-04-13 Drawn By:KEW



NO.	REVISION	DATE	BY	CK	P.E. STAMPED BY	P.E. No.	Professional Engineer Seal

MIDTOWN DEVELOPMENT
(APARTMENT BUILDINGS & PARKING GARAGES)
OFF POLE #3 SOMERSET STREET
PORTLAND WEST, MAINE
UNDERGROUND ELECTRICAL LAYOUT

DESIGNED MLR/
DRAWN VS
CHECKED MLR/
APPROVED

REVIEWED

CENTRAL MAINE POWER COMPANY
DISTRIBUTION DEPARTMENT

905-4550
REV. 0

SCALE 1" = 40' DATE 1/5/2014