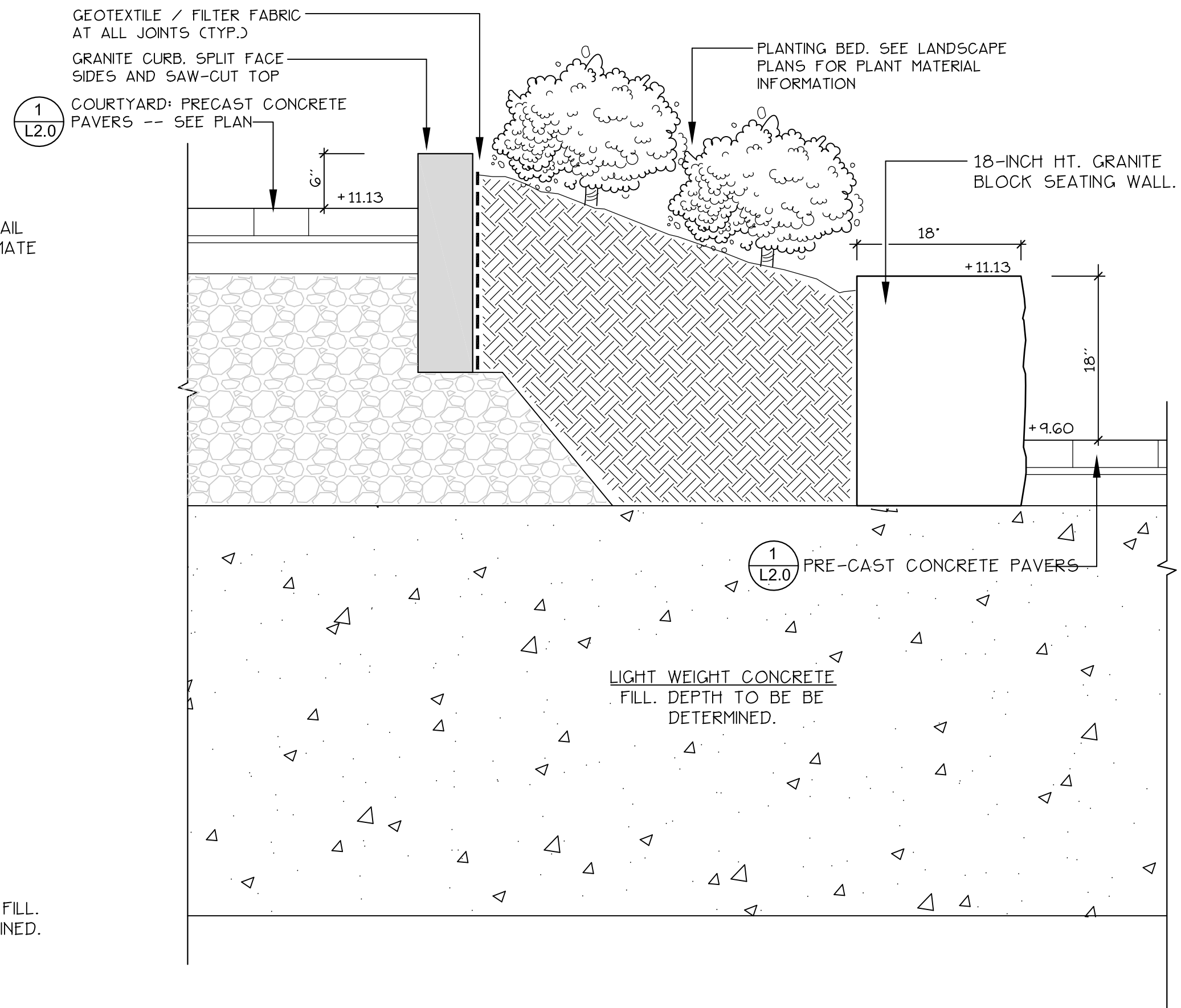
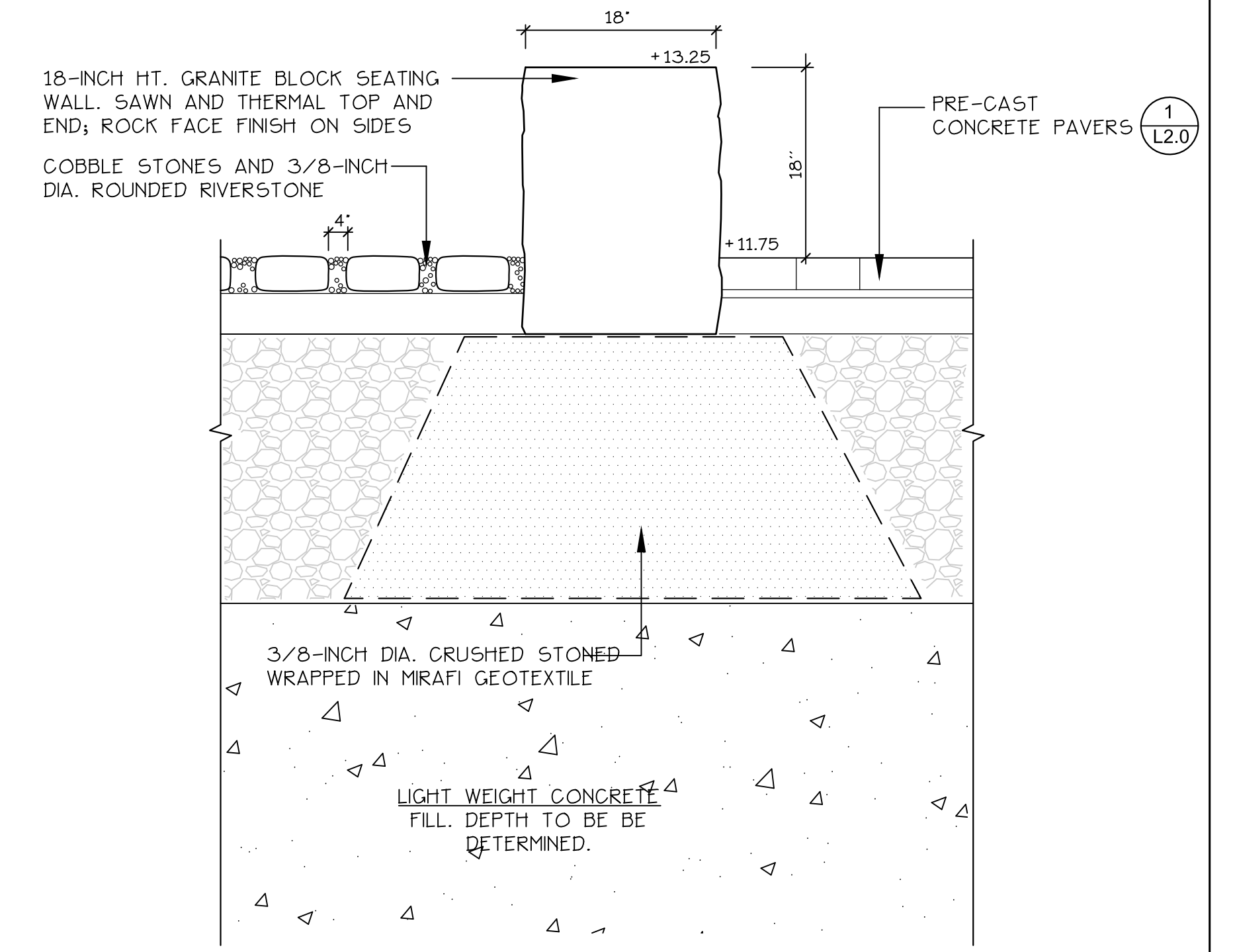


1 C.I.P. CONCRETE STAIR DETAIL -- MEWS AREA
L2.1 SCALE: 3/4" = 1'-0"

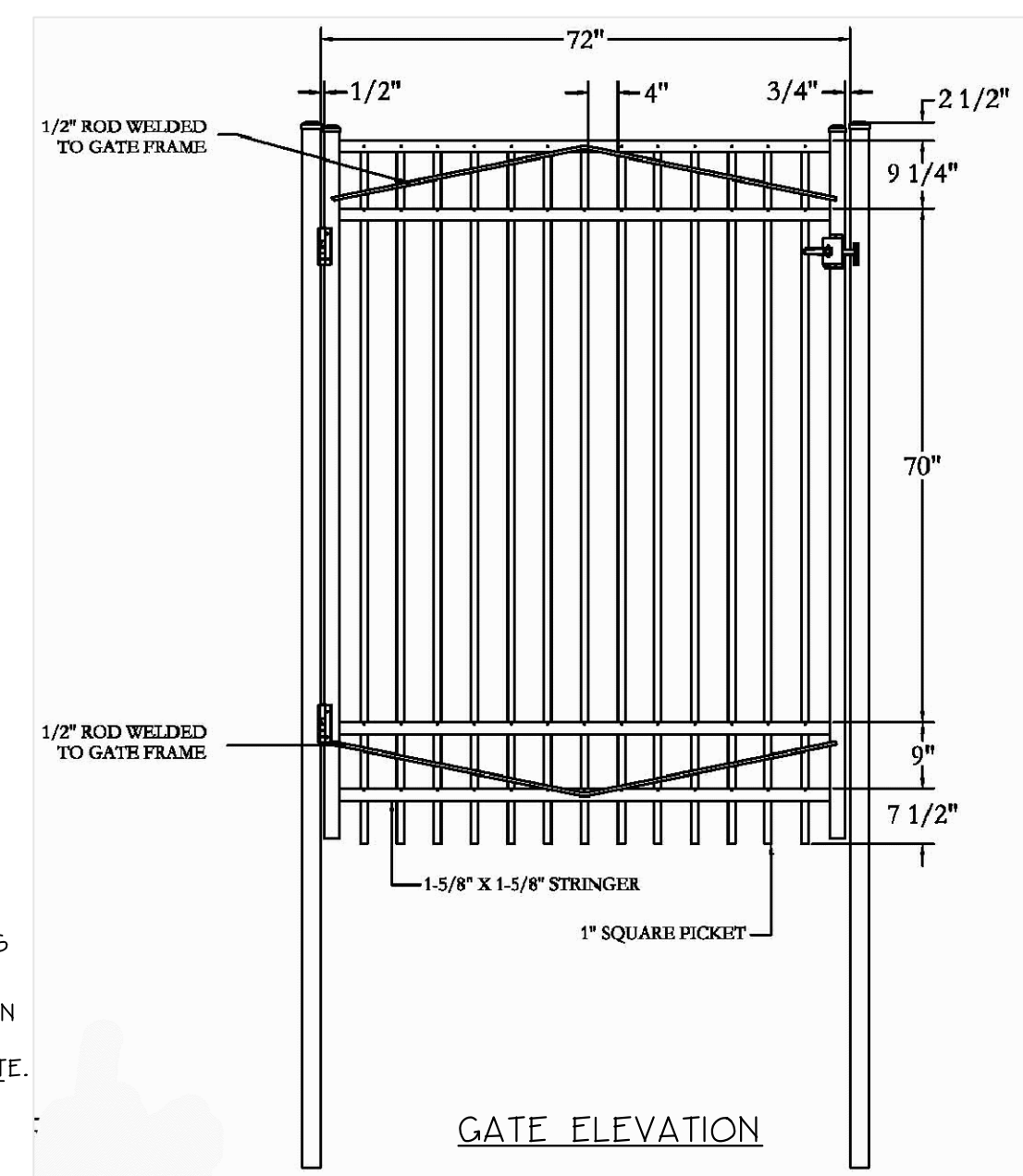
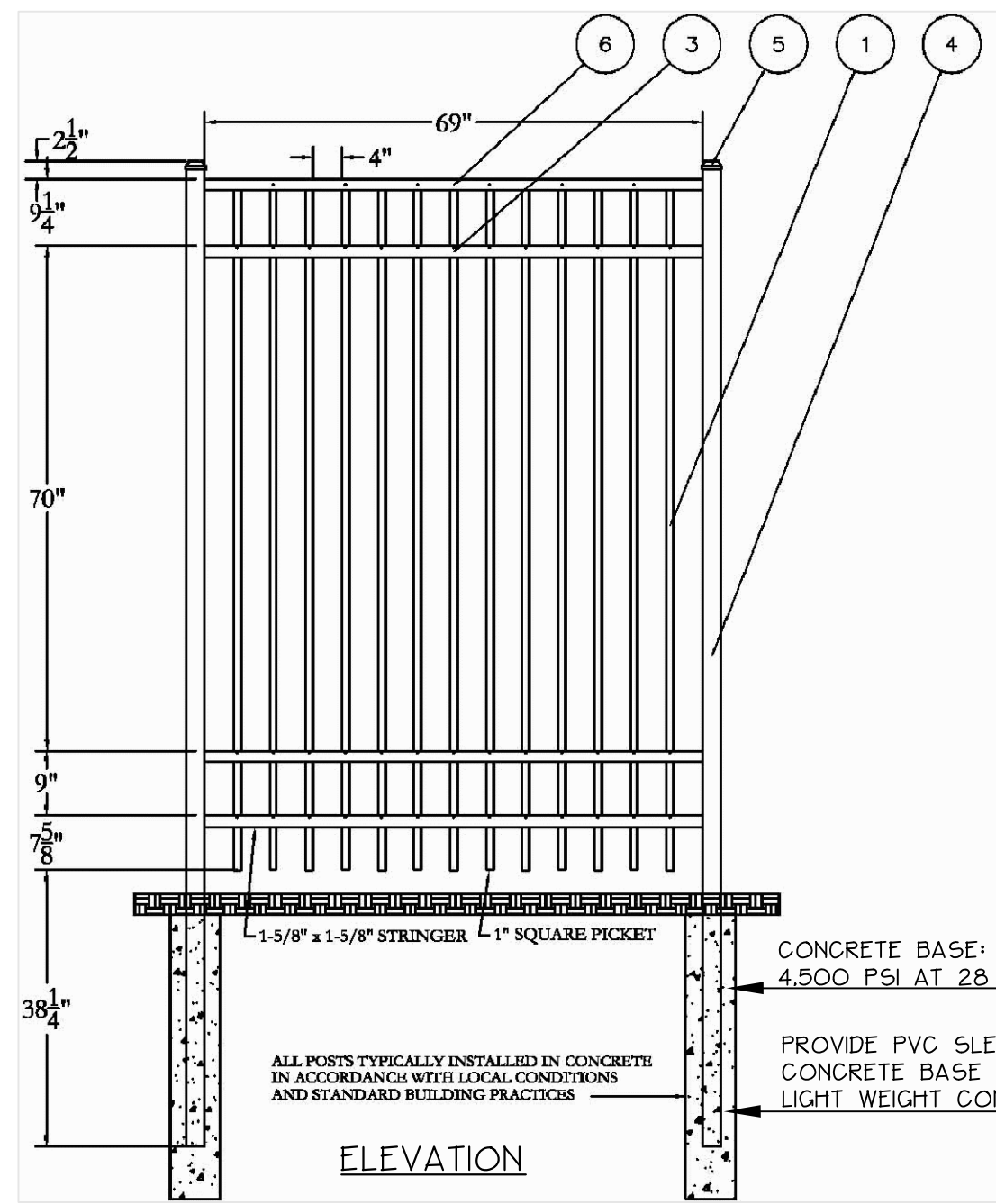


3 COURTYARD / TRAIL SITTING WALL SECTION
L2.1 SCALE: 3/4" = 1'-0"



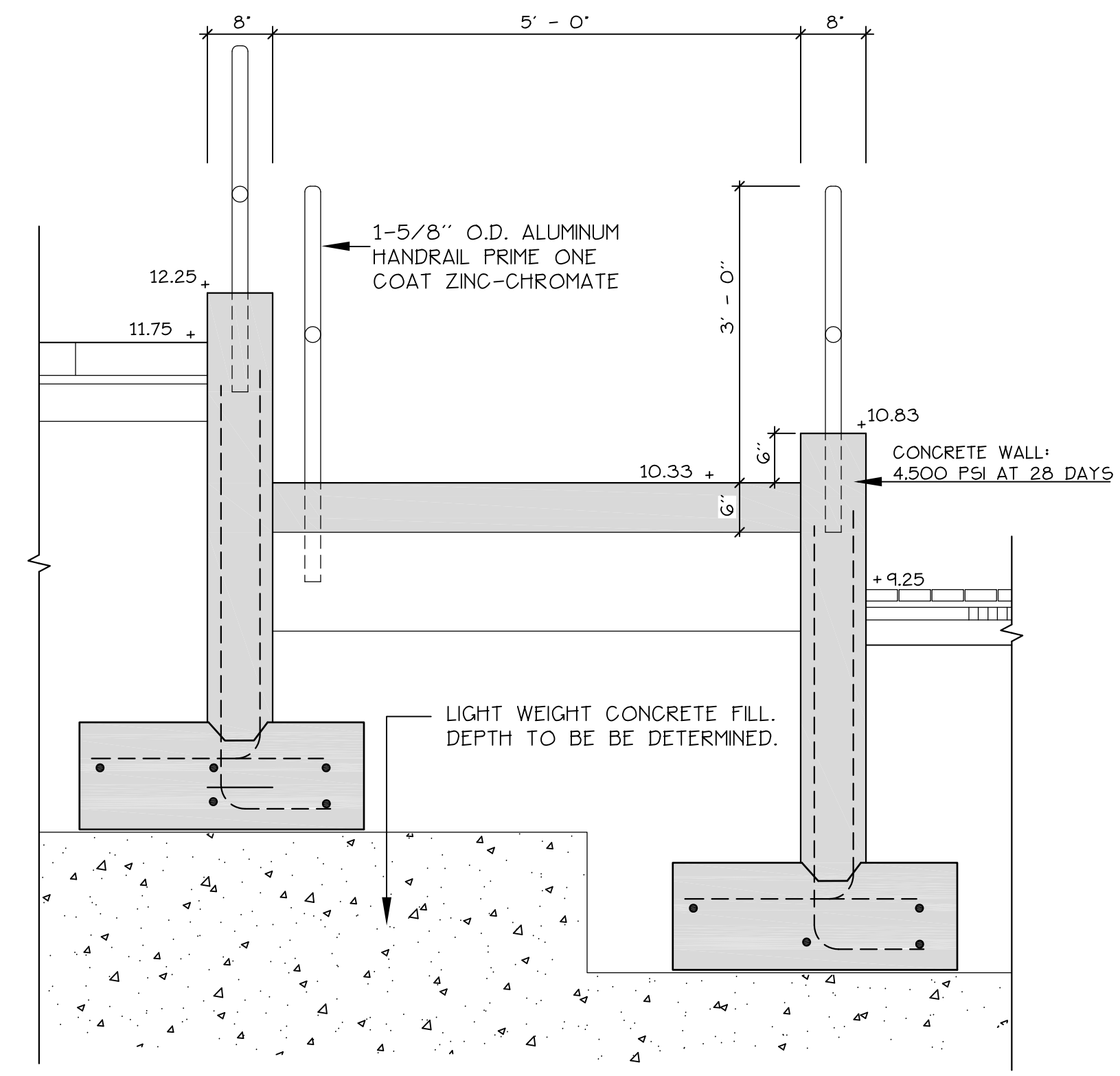
5 COURTYARD: GRANITE BLOCK SITTING WALL
L2.1 NOT TO SCALE

FENCE PARTS		
Name	Qty	Item
1202-98 PICKET	13	1
70-1/2" - 13 HOLE IND. STRINGER	3	3
2-1/2" POST	2	4
2-1/2" ALUMINUM POST CAP	2	5
70-1/2" - 13 HOLE IND. HEADER	1	6

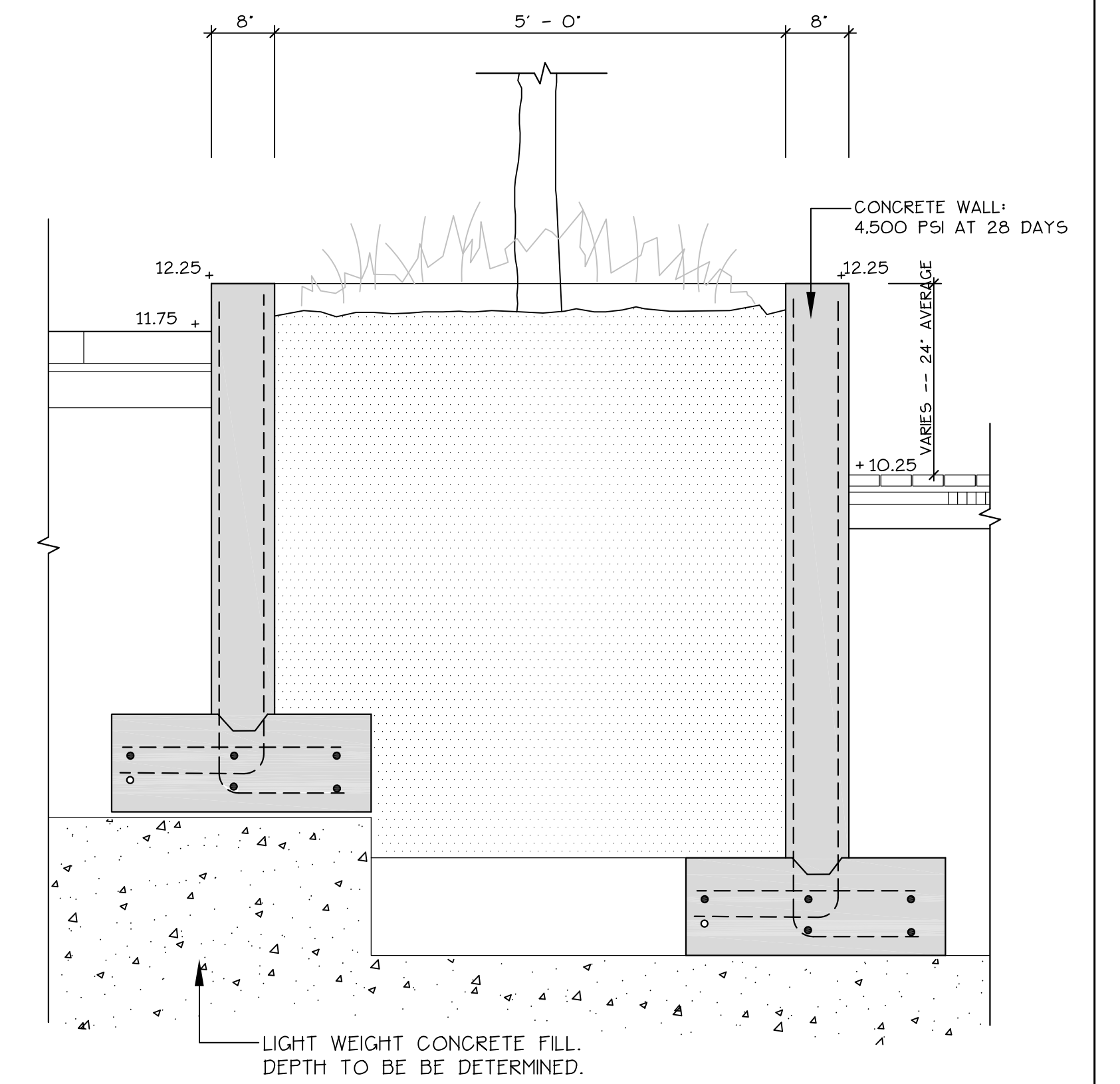


FENCE NOTES:
1. PRODUCT: INDUSTRIAL FENCE STYLE #202 (96' HEIGHT) SUPPLIED BY JERITH MANUFACTURING COMPANY, INC., PHILADELPHIA, PENNSYLVANIA, 1-800-344-2242, OR APPROVED EQUAL.
2. CONTRACTOR MUST SUBMIT SHOP DRAWINGS OF FENCE LAYOUT, CONNECTIONS AND GATE DETAILS FOR REVIEW BY LANDSCAPE ARCHITECT.

2 ORNAMENTAL FENCE AT TRANSFORMERS
L2.1 SCALE: NOT TO SCALE

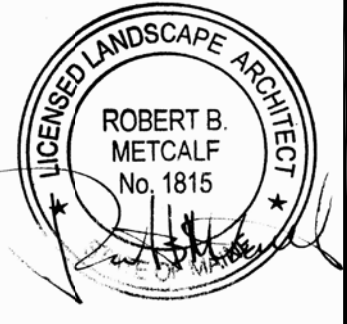



4 SECTION AT HANDICAP RAMP -- SOMERSET STREET
L2.1 NOT TO SCALE



6 C.I.P. CONCRETE RAISED PLANTER
L2.1 NOT TO SCALE

PRELIMINARY - NOT FOR CONSTRUCTION

PROJECT midtown PORTLAND, MAINE		 ROBERT B. METCALF No. 1815 LIC. # 1815	 70 Center Street Portland, Maine 04040 207.774.4427	
SHEET TITLE LANDSCAPE DETAILS			DRAWN: DATE: 11.14.14 DESIGNED: SCALE: N.T.S. CHECKED: JOB NO. SP-M037B FILE NAME: SHEET L2.1	
CLIENT THE FEDERATED COMPANIES		1 11.14.14 FINAL LEVEL III SUBMISSION TO CITY OF PORTLAND REV DATE DESCRIPTION REVISIONS		