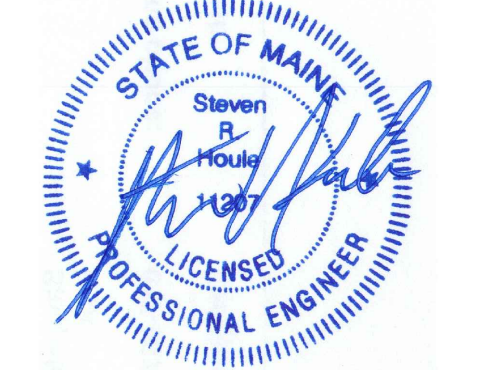


THA ARCHITECTS, LLC

ARCHITECTURE • DESIGN • PLANNING • INTERIOR DESIGN
 105 WILLOW BROOK AVENUE
 STRATHAM, NEW HAMPSHIRE 03885
 Tel: (603) 770-2491 Fax: (603) 773-0238
 www.thaarc.com

These drawings and specifications were prepared for use at the location indicated. Publication and use is expressly limited to the identified location. Reuse or reproduction by any method, in whole or in part, is prohibited without the written permission of THA Architects, LLC.
 © THA Architects, LLC.



midtown Portland

Somerset Street
 Elm Street
 Portland, ME

**Building 2
 Enlarged
 Water Room
 Plans**

Structural Engineer
 Becker Engineering
 MEP ENGINEER
 McCabe Associates
 FP Engineer
 McCabe Associates

SCALE: 1/4"=1'-0"

ISSUED / DRAWN BY

2/8/16

REVISOR / REVISED BY

JOB NO: 15001

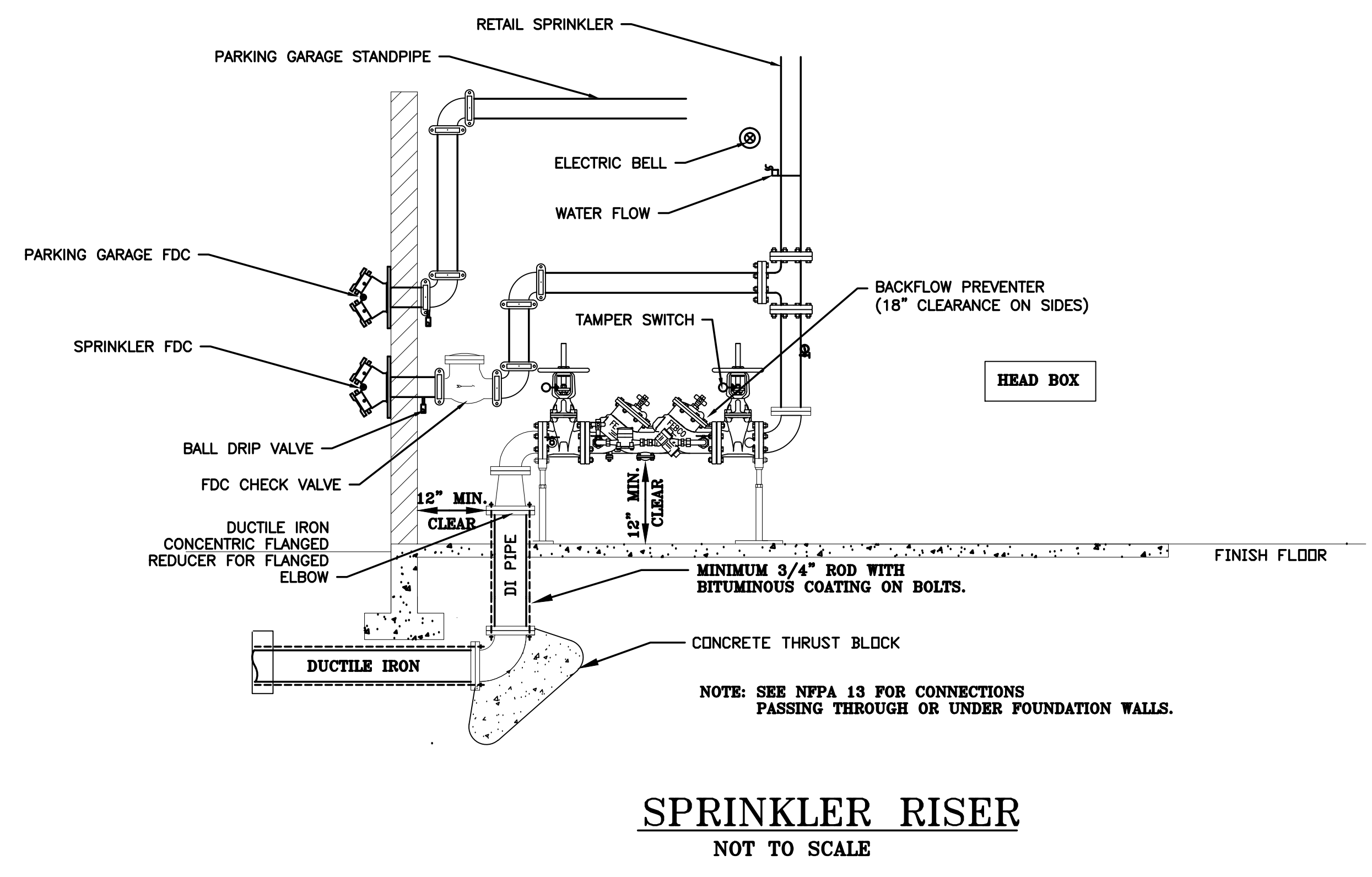
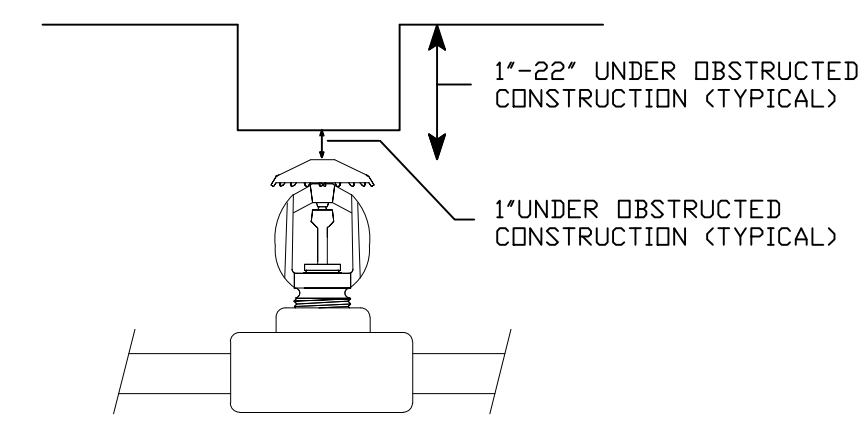
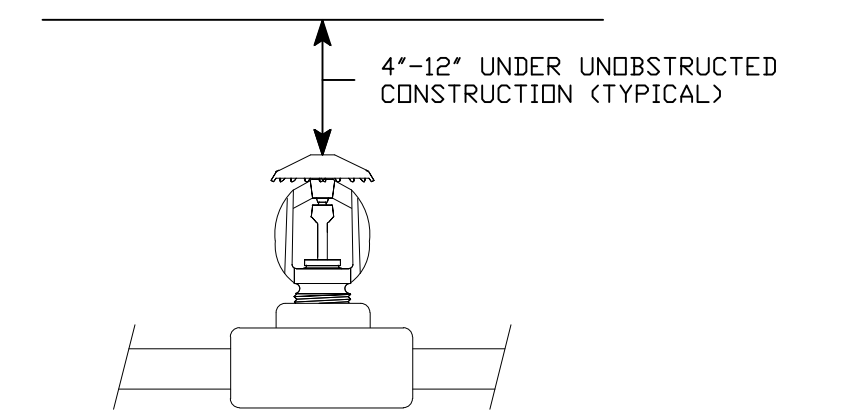
SHEET NUMBER

SP-2.1

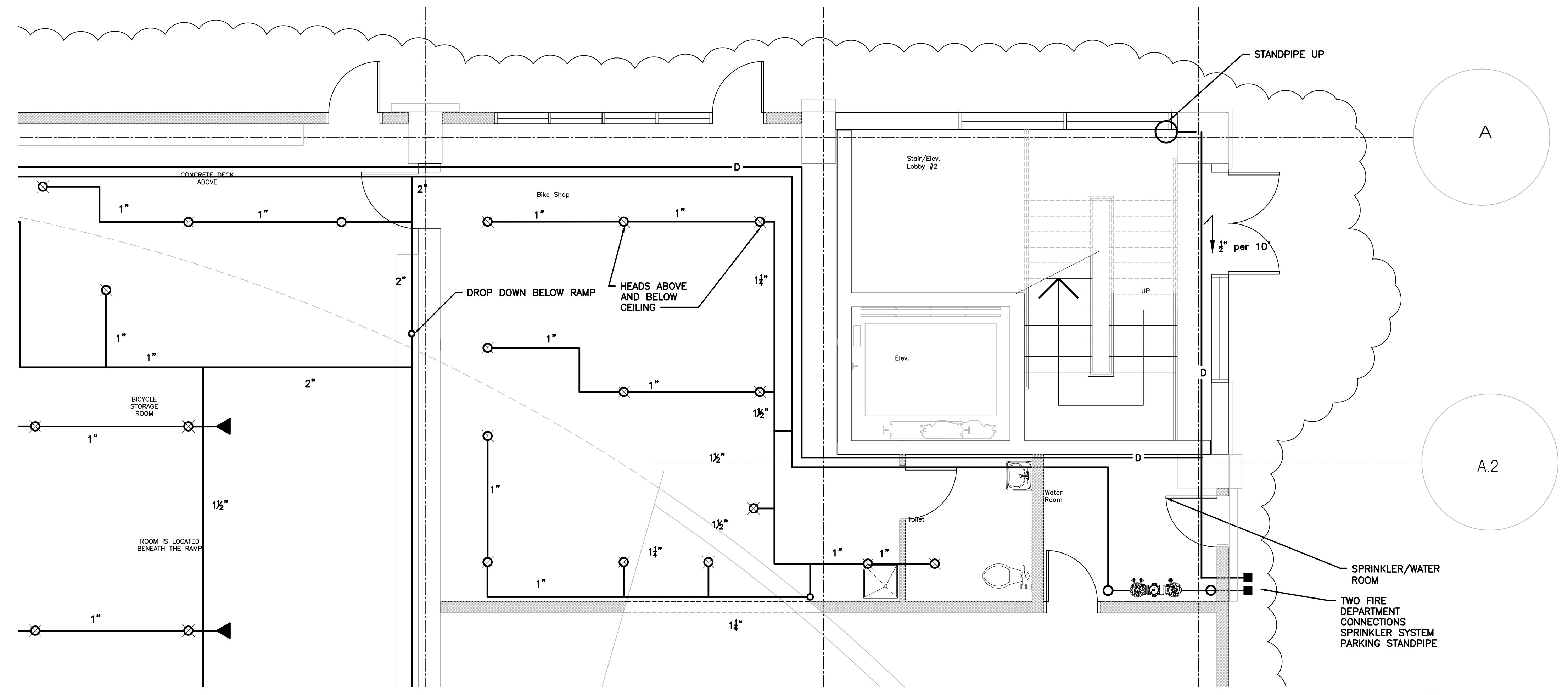
HANGER INSTALLATION REQUIREMENTS									
NOMINAL PIPE SIZE	MAXIMUM DISTANCE BETWEEN HANGERS								
	3/4"	1'	1-1/4'	1-1/2'	2'	2-1/2'	3'	4'	6'
BLAZEMASTER CPVC	5' 6"	6' 0"	6' 6"	7' 0"	8' 0"	9' 0"	10' 0"	N/A	N/A
THREADABLE LIGHTWALL	N/A	12' 0"	12' 0"	12' 0"	12' 0"	12' 0"	12' 0"	N/A	N/A
STEEL PIPE (10/ 40)	N/A	12' 0"	12' 0"	15' 0"	15' 0"	15' 0"	15' 0"	15' 0"	15' 0"

100 PSI STATIC PRESSURE ON SYSTEM REQUIRES UP-LIFT RESTRAINT WITHIN 12 INCHES HORIZONTALLY OF HEAD FOR ARM-DIVERS AND END OF BRANCH LINE
 THE UNSUPPORTED LENGTH BETWEEN THE END SPRINKLER AND THE LAST HANGER ON THE LINE SHALL NOT EXCEED 36' FOR 1" PIPE, 48' FOR 1 1/4" PIPE AND 60' FOR 1 1/2" PIPE OR LARGER
 THE CUMULATIVE HORIZONTAL LENGTH OF AN UNSUPPORTED ARM/DIVER TO A SPRINKLER, SPRINKLER DROP, OR SPRIG-UP SHALL NOT EXCEED 24'

SPAN OF TRAPEZE (Schedule 10)	NOMINAL PIPE SIZE SUPPORTED								
	1 FT. 6 IN.	1"	1-1/4"	1-1/2"	2"	2-1/2"	3"	4"	6"
2 FT. 0 IN.	1"	1"	1-1/4"	1-1/4"	1-1/4"	1-1/4"	1-1/4"	1-1/2"	
2 FT. 6 IN.	1-1/4"	1-1/4"	1-1/4"	1-1/4"	1-1/4"	1-1/4"	1-1/2"	2"	
3 FT. 0 IN.	1-1/4"	1-1/4"	1-1/4"	1-1/4"	1-1/2"	1-1/2"	1-1/2"	2"	
4 FT. 0 IN.	1-1/2"	1-1/2"	1-1/2"	1-1/2"	2"	2"	2"	2-1/2"	
5 FT. 0 IN.	2"	2"	2"	2"	2"	2"	2-1/2"	2-1/2"	
6 FT. 0 IN.	2"	2"	2"	2"	2"	2-1/2"	2-1/2"	3"	
7 FT. 0 IN.	2"	2"	2"	2"	2-1/2"	2-1/2"	2-1/2"	3"	
8 FT. 0 IN.	2-1/2"	2-1/2"	2-1/2"	2-1/2"	2-1/2"	2-1/2"	2-1/2"	3"	
9 FT. 0 IN.	2-1/2"	2-1/2"	2-1/2"	2-1/2"	2-1/2"	2-1/2"	3"	4"	
10 FT. 0 IN.	2-1/2"	2-1/2"	2-1/2"	2-1/2"	2-1/2"	3"	3"	4"	



SPRINKLER RISER
 NOT TO SCALE



Revised Permit Set April 15, 2016
 Permit Set February 8, 2016