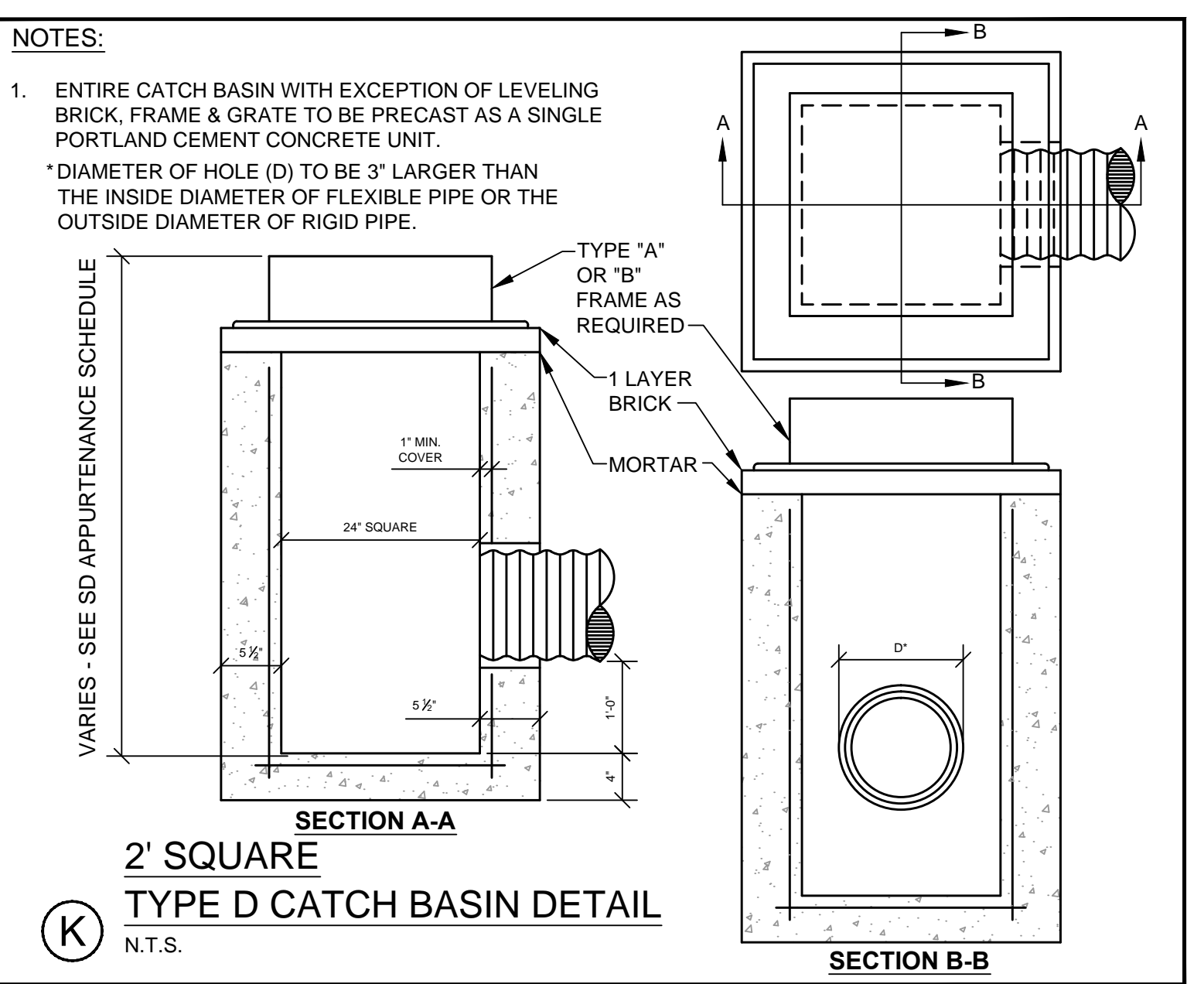
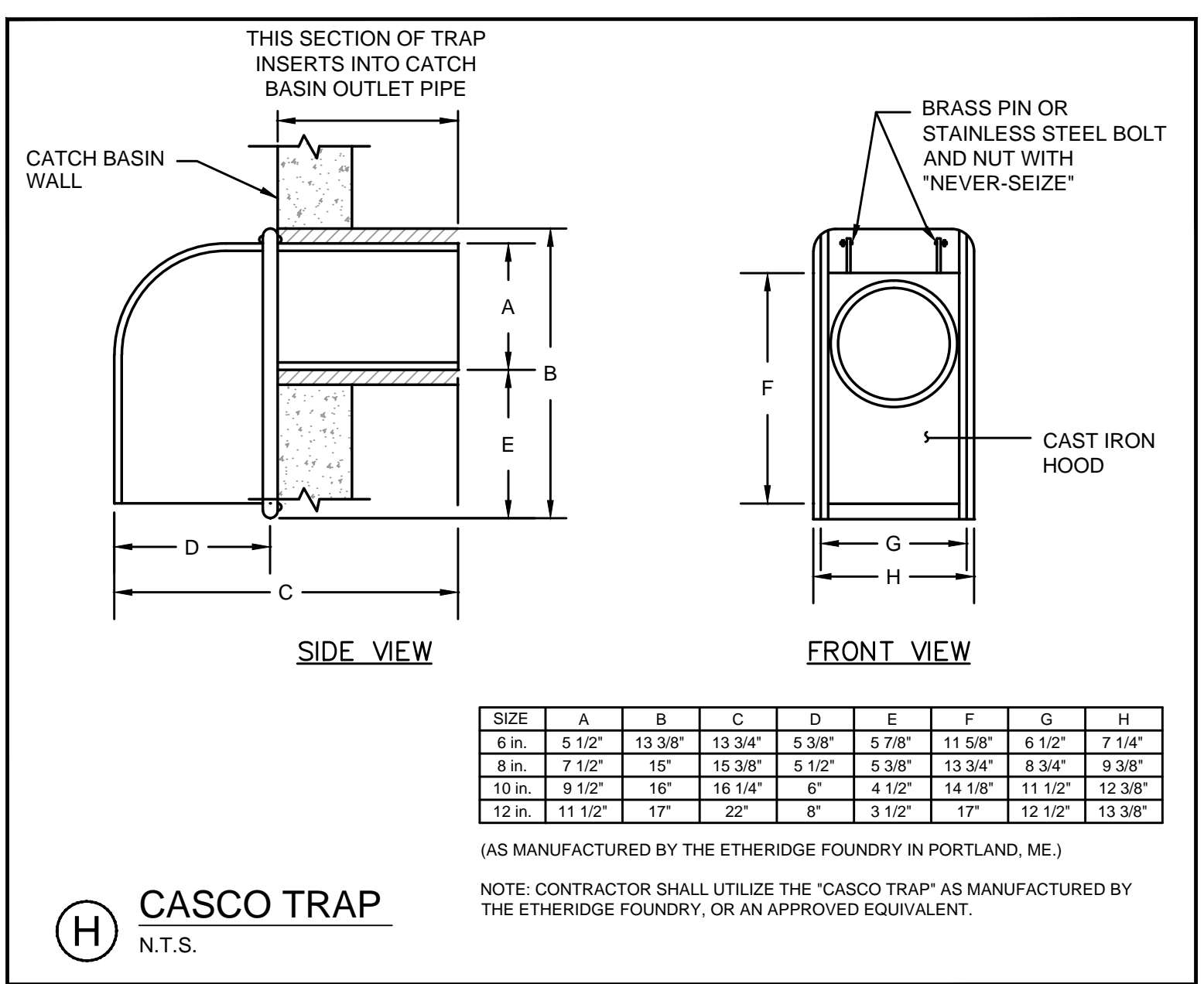
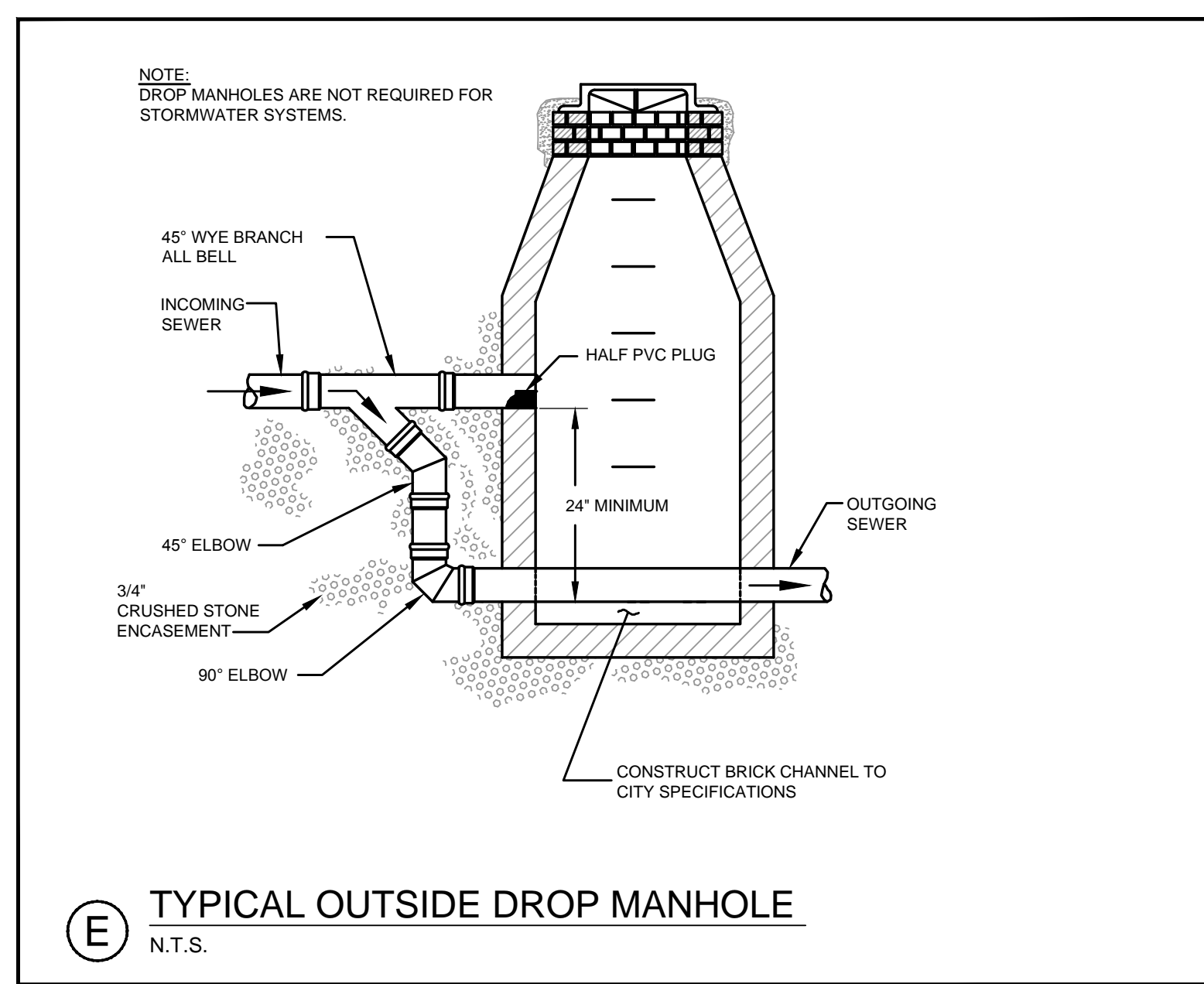
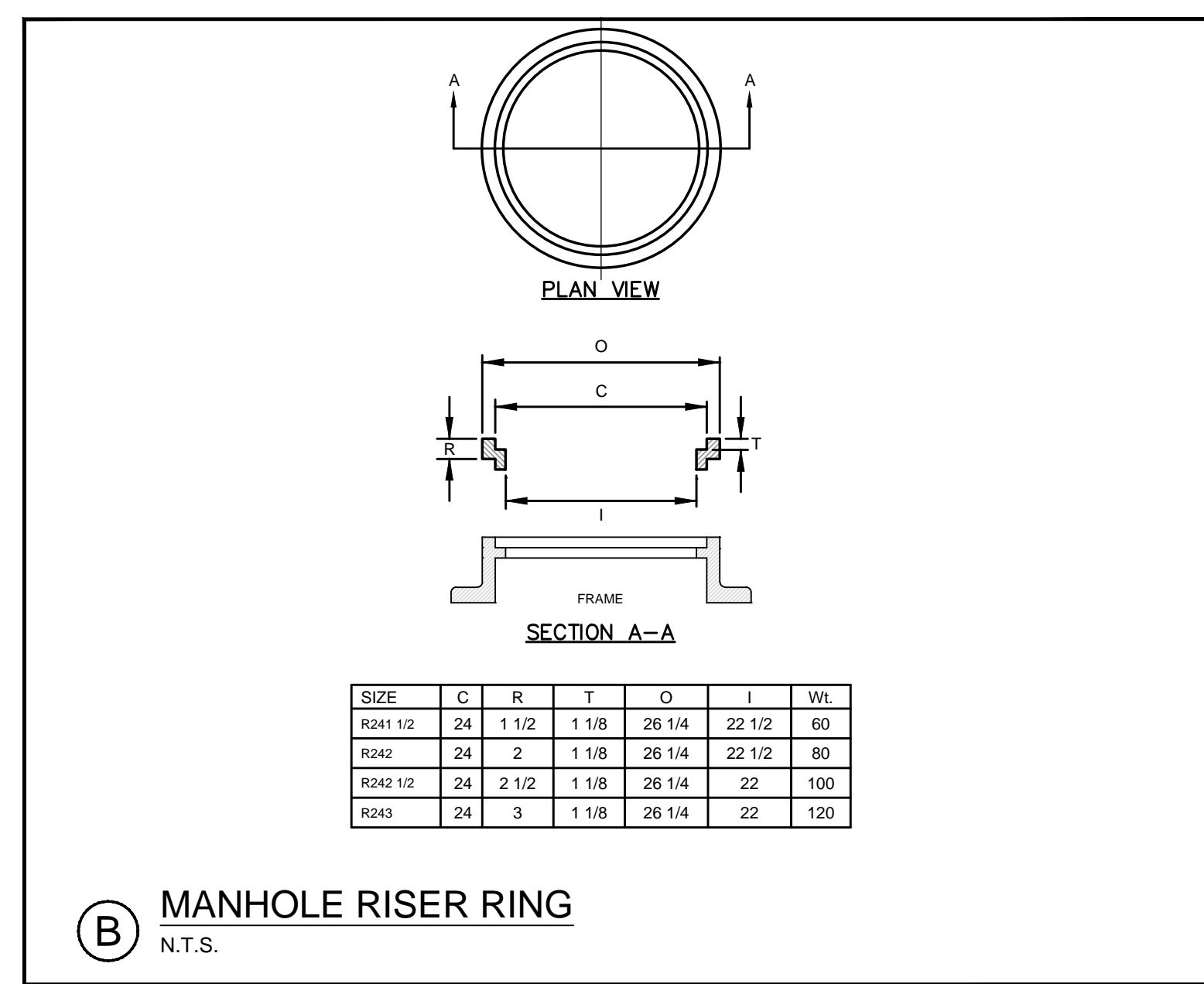
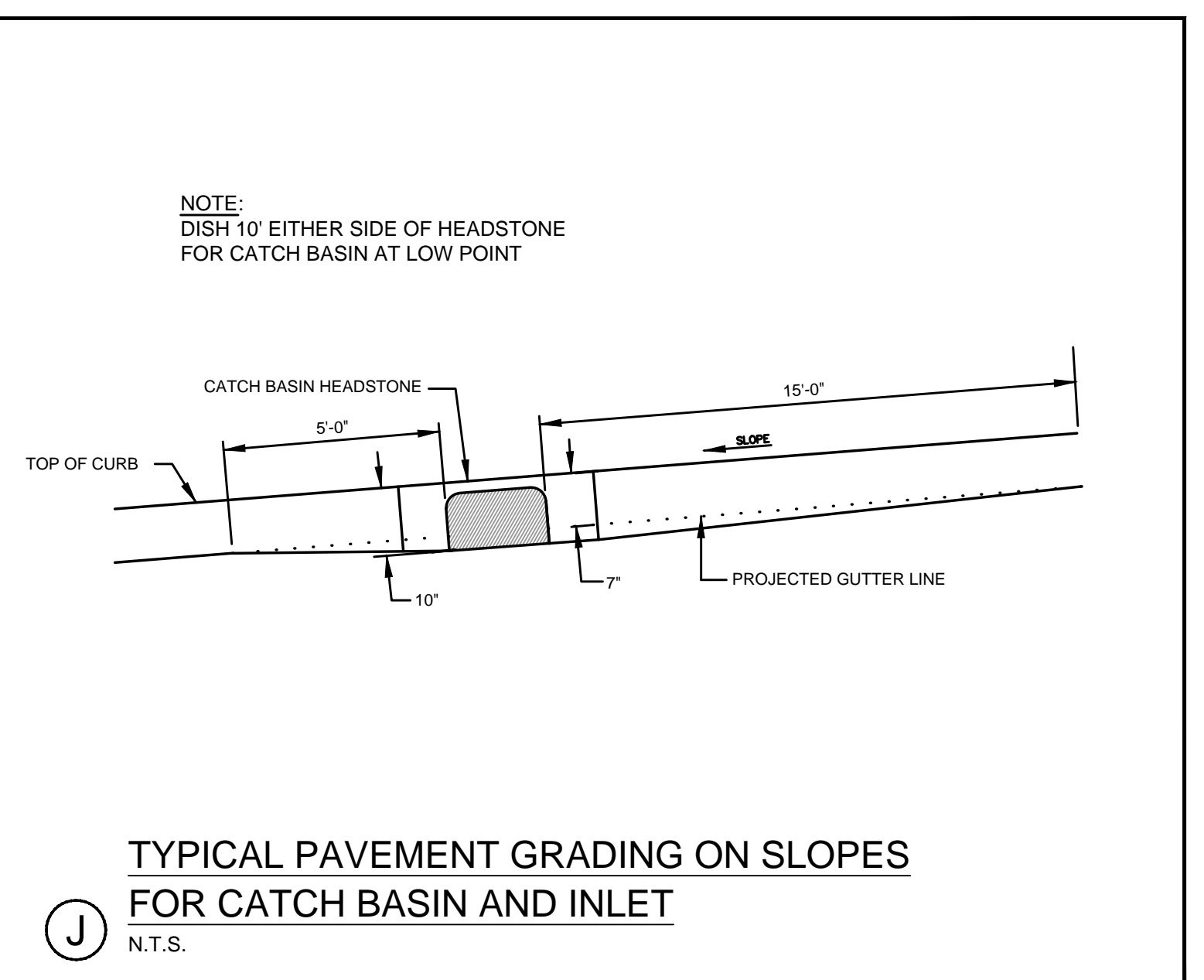
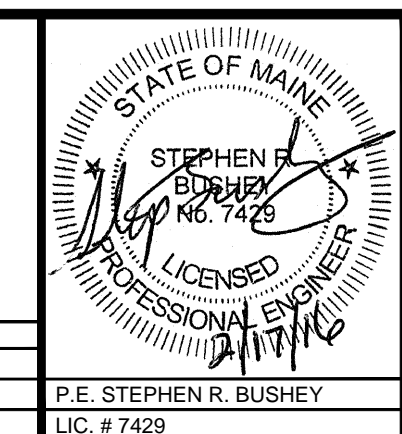


- G GENERAL NOTES FOR MANHOLES AND CATCH BASINS**
N.T.S.
1. ALL CONCRETE SHALL HAVE A MINIMUM ULTIMATE COMPRESSIVE STRENGTH OF 4000 lbs. PER SQ. INCH AT THE END OF 28 DAYS, UNLESS OTHERWISE NOTED.
 2. MANHOLES MAY BE CONSTRUCTED OF PRECAST REINFORCED CONCRETE, OR CAST IN PLACE.
 3. PRECAST REINFORCED CONE BARREL MANUFACTURED PER ASTM SPEC. C-478.
 4. ALL STORM AND SEWER MANHOLE COVERS SHALL BE SOLID AND SHALL HAVE ONE 7/8" DIAMETER DRILLED PICK HOLE LOCATED 8" FROM THE CENTER OF THE COVER.
 5. ALL SANITARY MANHOLE COVERS SHALL HAVE "SEWER" CAST INTO THE COVER. ALL STORMWATER/DRAIN MANHOLE COVERS SHALL HAVE "DRAIN" CAST INTO THE COVER.
 6. ALL MANHOLE RISERS SHALL BE ETHERIDGE 24" OR APPROVED EQUAL.
 7. SEWER BRICK SHALL CONFORM TO ASTM SPEC. DESIGNATE ON C-32-63, GRADE MA AND SA.
 8. ALL SANITARY MANHOLES SHALL HAVE A WATERPROOFING COATING APPLIED TO THE EXTERIOR SURFACE.
 9. CATCH BASIN FRAMES FOR TYPE A4 CATCH BASIN CURB INLETS SHALL BE ETHERIDGE DR5A OR APPROVED EQUAL.
 10. CASTINGS SHALL CONFORM TO ASTM DESIGNATION A48-CLASS 35.
 11. EXISTING MANHOLES, CATCH BASINS, FRAMES, AND COVERS SHALL BE SALVAGED BY THE CONTRACTOR, AND SHALL REMAIN THE PROPERTY OF THE CITY OF PORTLAND.
 12. ALL CATCH BASIN OUTLETS SHALL BE INSTALLED WITH A CASCO TRAP, SEE DETAIL H.



PRELIMINARY - NOT FOR CONSTRUCTION

REV	DATE	DESCRIPTION	REVISIONS
2	02.17.16	FINAL SITE PLANS WITH CONDITIONS OF APPROVAL	
1	11.14.14	FINAL LEVEL III SUBMISSION TO CITY OF PORTLAND	



PROJECT	midtown PORTLAND, MAINE
SHEET TITLE	SANITARY SEWER AND STORM DRAIN DETAILS
CLIENT	FEDQ DV001, LLC

FST 100 YEARS	FAY, SPOFFORD & THORNDIKE ENGINEERS • PLANNERS • SCIENTISTS 778 MAIN ST., SUITE 8, SOUTH PORTLAND, ME 04106 FORMERLY DELUCA-HOFFMAN ASSOCIATES
DRAWN: DED	DATE: OCTOBER 2014
DESIGNED: BEK	SCALE: NTS
CHECKED: SRB	JOB NO. SP-M037B
FILE NAME: 3062-DETAIL SHEETS	
SHEET	C-7.3