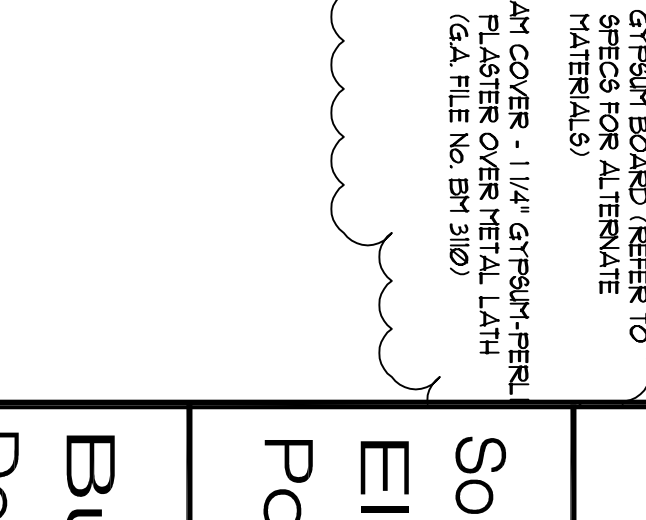
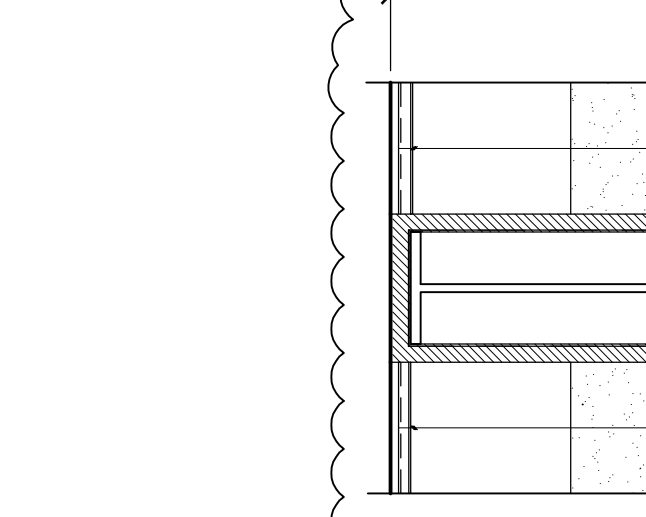
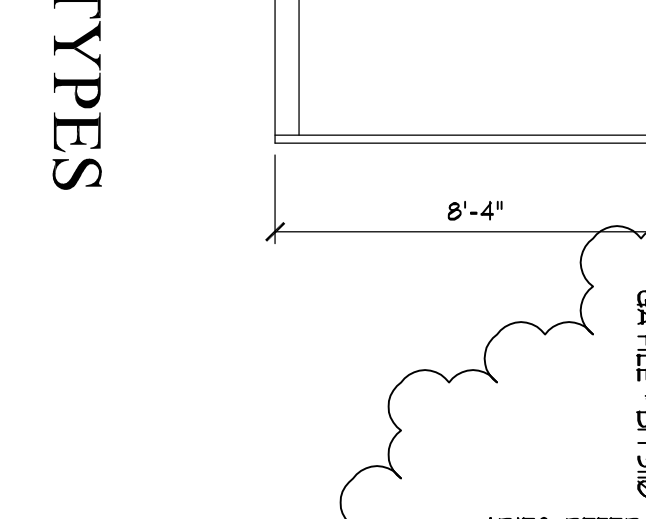
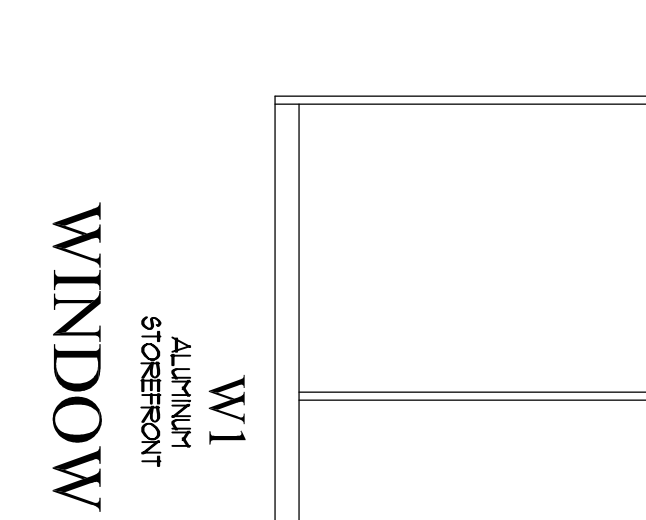
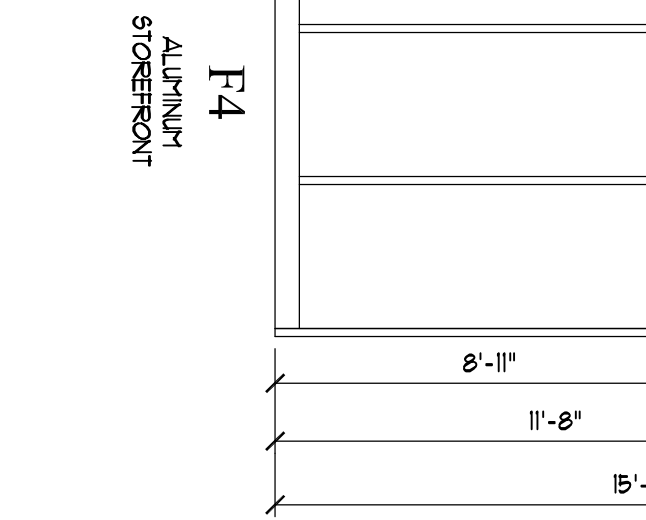
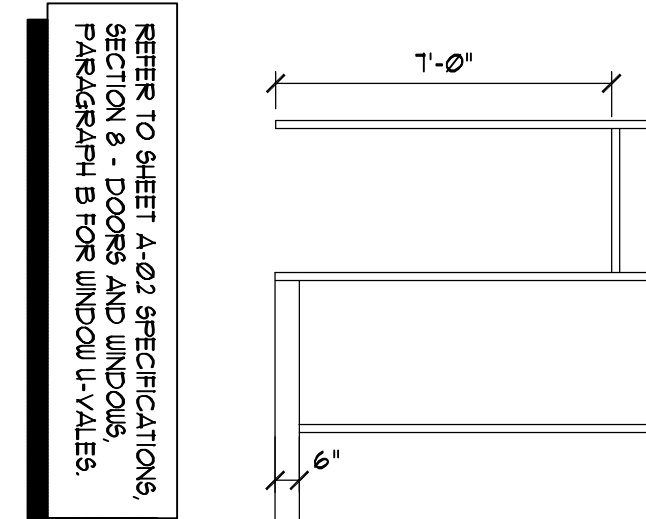
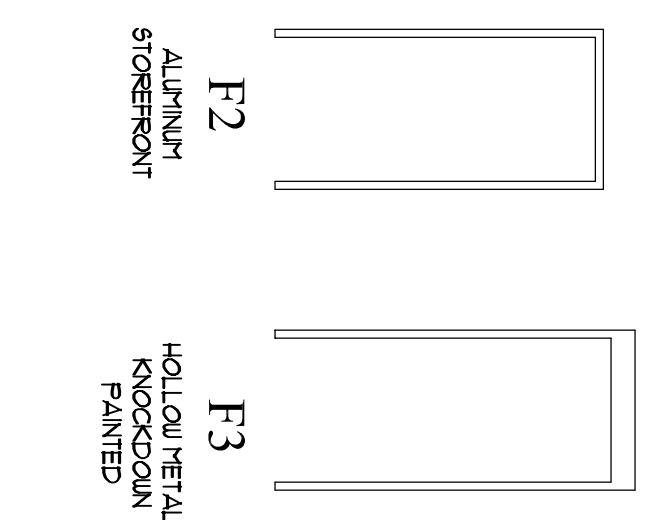
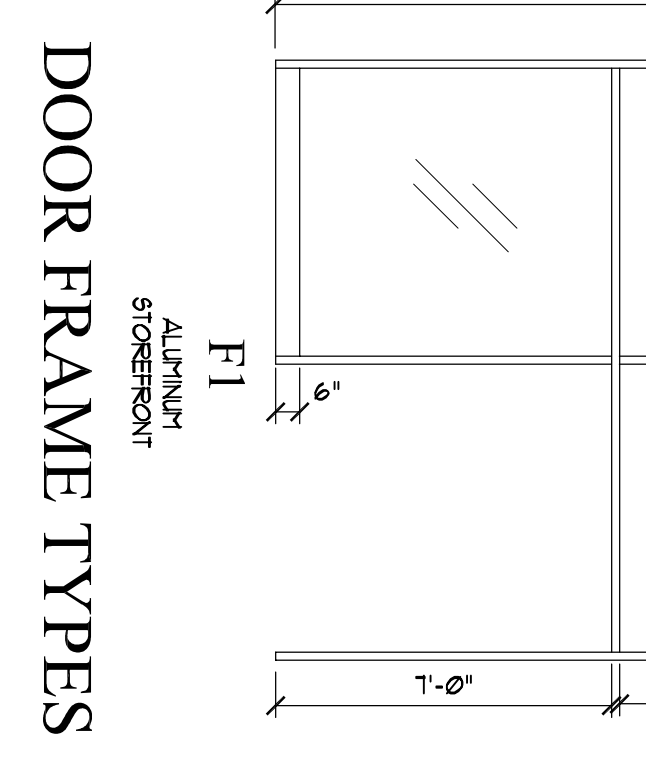
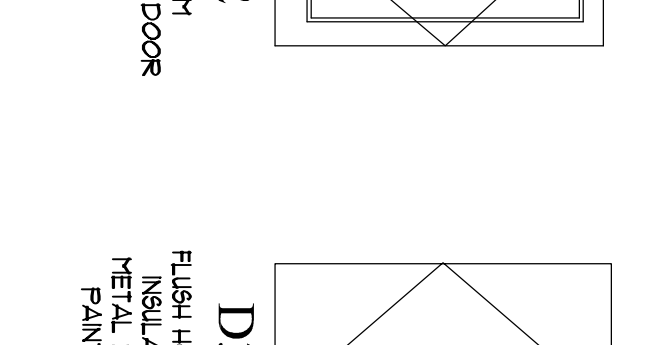
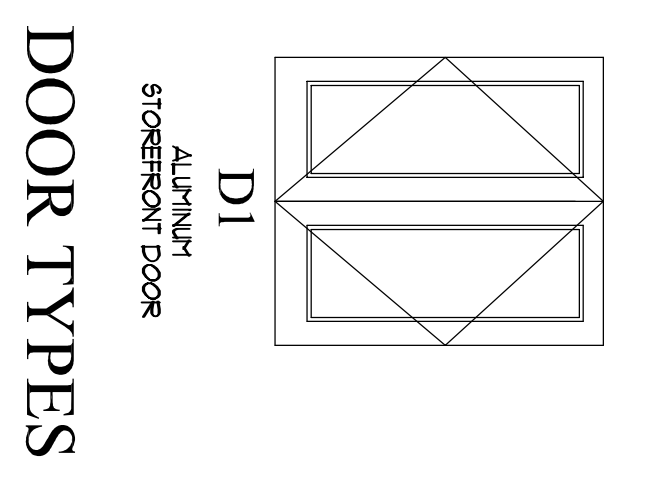


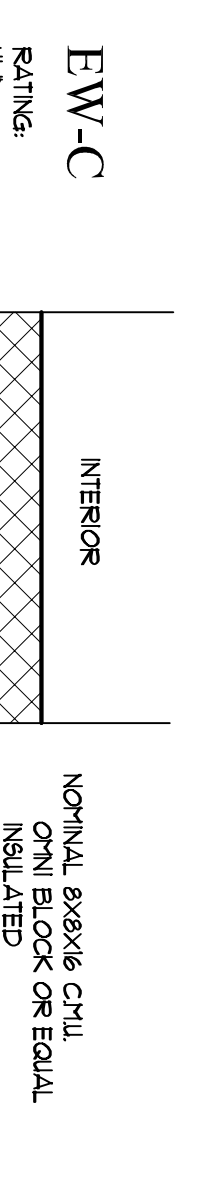
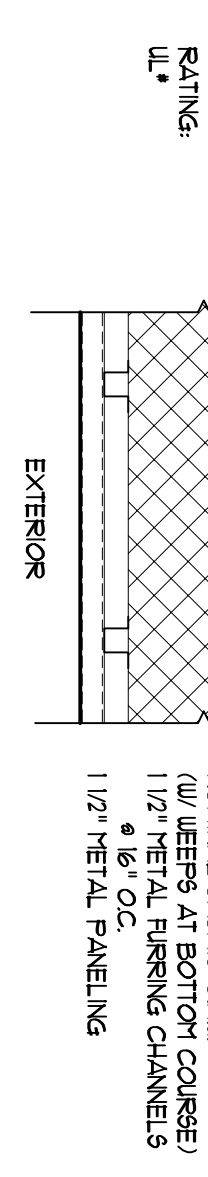
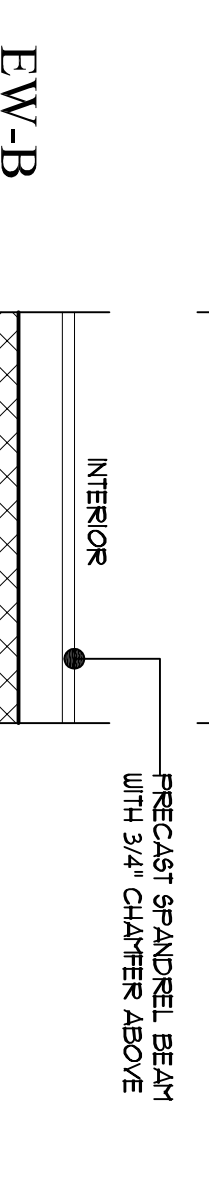
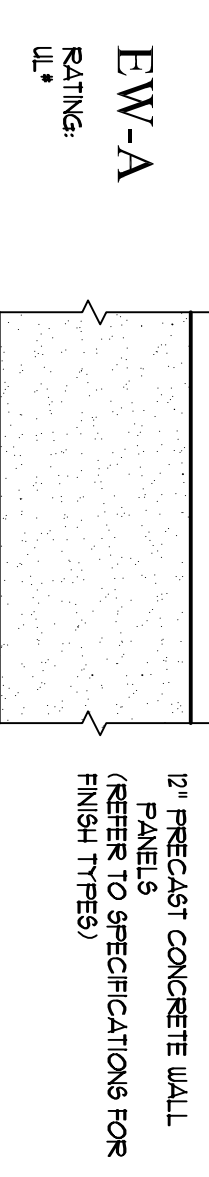
DOOR SCHEDULE

DOOR NO.	TYPE	MATERIAL	W x H x T	FINISH	FRAME	DETAILS	HWDR RATING	REMARKS
					TYPE	JAMB HEAD/STILL	SH1	
2002a	D3	METAL	3'-0"x7'-0" 1/2"	PAINT	F3	METAL PAINT	01	
2002b	D3	METAL	3'-0"x7'-0" 1/2"	PAINT	F3	METAL PAINT	01	
2002c	D3	METAL	3'-0"x7'-0" 1/2"	PAINT	F3	METAL PAINT	01	
2002d	D3	METAL	3'-0"x7'-0" 1/2"	PAINT	F3	METAL PAINT	01	
2002e	D3	METAL	3'-0"x7'-0" 1/2"	PAINT	F3	METAL PAINT	01	
2001	D1	ALUM.	(72)-0"x71'-0"x3/4"	CLEAR	F1	ALUM. CLEAR	03	
2002	D1	ALUM.	(72)-0"x71'-0"x3/4"	CLEAR	F1	ALUM. CLEAR	03	
2003	D3	METAL	3'-0"x7'-0"x3/4"	PAINT	F3	METAL PAINT	01	
2003a	D3	METAL	3'-0"x7'-0"x3/4"	PAINT	F3	METAL PAINT	01	
2003b	D3	METAL	3'-0"x7'-0"x3/4"	PAINT	F3	METAL PAINT	01	
2003c	D3	METAL	3'-0"x7'-0"x3/4"	PAINT	F3	METAL PAINT	01	
2003d	D3	METAL	3'-0"x7'-0"x3/4"	PAINT	F3	METAL PAINT	01	
2003e	D3	METAL	3'-0"x7'-0"x3/4"	PAINT	F3	METAL PAINT	01	
2001	D3	METAL	3'-0"x6'-8"x3/4"	PAINT	F3	METAL PAINT	01	
2002	D3	METAL	3'-0"x6'-8"x3/4"	PAINT	F3	METAL PAINT	01	
2003	D3	METAL	3'-0"x6'-8"x3/4"	PAINT	F3	METAL PAINT	01	
2004	D3	METAL	3'-0"x6'-8"x3/4"	PAINT	F3	METAL PAINT	01	
2005	D3	METAL	3'-0"x6'-8"x3/4"	PAINT	F3	METAL PAINT	01	
2001	D3	METAL	3'-0"x6'-8"x3/4"	PAINT	F3	METAL PAINT	01	
2002	D3	METAL	3'-0"x6'-8"x3/4"	PAINT	F3	METAL PAINT	01	
2003	D3	METAL	3'-0"x6'-8"x3/4"	PAINT	F3	METAL PAINT	01	
2004	D3	METAL	3'-0"x6'-8"x3/4"	PAINT	F3	METAL PAINT	01	
2005	D3	METAL	3'-0"x6'-8"x3/4"	PAINT	F3	METAL PAINT	01	
2001	D3	METAL	3'-0"x6'-8"x3/4"	PAINT	F3	METAL PAINT	01	
2002	D3	METAL	3'-0"x6'-8"x3/4"	PAINT	F3	METAL PAINT	01	
2003	D3	METAL	3'-0"x6'-8"x3/4"	PAINT	F3	METAL PAINT	01	
2004	D3	METAL	3'-0"x6'-8"x3/4"	PAINT	F3	METAL PAINT	01	
2005	D3	METAL	3'-0"x6'-8"x3/4"	PAINT	F3	METAL PAINT	01	
2001	D3	METAL	3'-0"x6'-8"x3/4"	PAINT	F3	METAL PAINT	01	
2002	D3	METAL	3'-0"x6'-8"x3/4"	PAINT	F3	METAL PAINT	01	
2003	D3	METAL	3'-0"x6'-8"x3/4"	PAINT	F3	METAL PAINT	01	
2004	D3	METAL	3'-0"x6'-8"x3/4"	PAINT	F3	METAL PAINT	01	
2005	D3	METAL	3'-0"x6'-8"x3/4"	PAINT	F3	METAL PAINT	01	

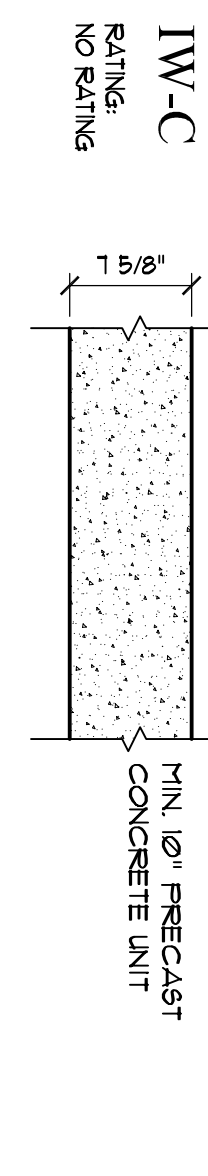
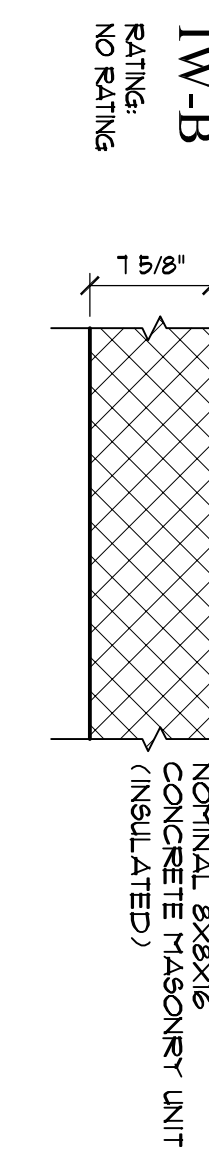
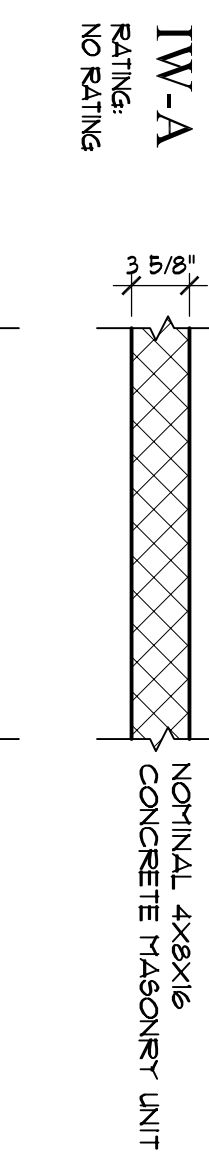
- NOTES:
- PROVIDE TEMPERED GLASS AT ALL GLAZING PANELS BELOW BY AFF. NOTE FULL GLASS DOORS WITH SH15 BELOW BY AFF. WILL REQUIRE A TEMPERING OF ENTIRE PANEL.
 - PROVIDE INSULATED STOREROOM DOOR GLASS AND PLAYERS AT EXTERIOR LOCATIONS.
 - LOCATIONS TYPICAL REFER TO FLOOR PLANS FOR LOCATIONS. SCHEDULES TO HAVE THE INTERNAL FINISH LOCATIONS AS INDICATED IN SCHEDULE.
 - PROVIDE FLOOR DOOR STOPS WHERE EVER DOOR HANDLE CONTACTS ANOTHER SURFACE WHERE FLOOR STOPS ARE NOT FEASIBLE PROVIDE WALL STOP.
 - SOLID WEATHER STRIPPING SEAL AT ALL ENTRIES INCLUDING WHERE DOUBLE DOORS MEET.
 - DOORS MEET CONTRACTORS TO FIELD VERIFY ALL DIMENSIONS IN THE FIELD PRIOR TO INSTALLATION AND REPORT TO ARCHITECT.



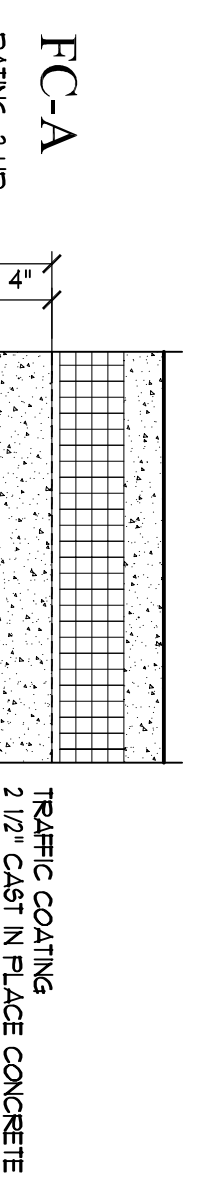
Exterior Walls



Interior Walls

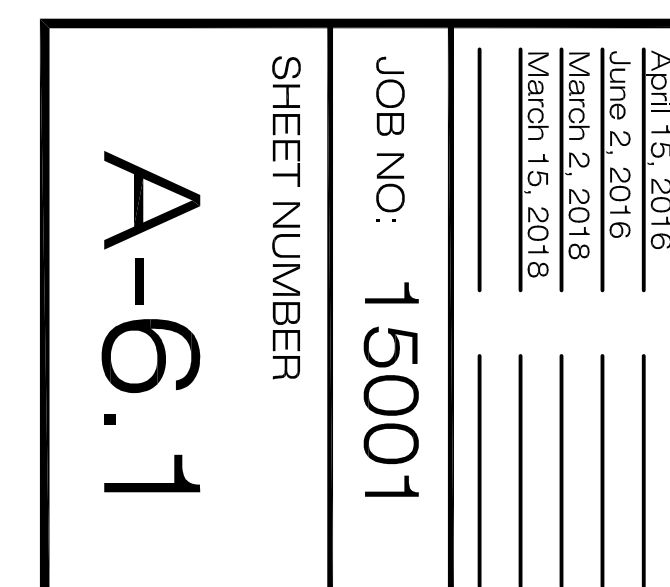
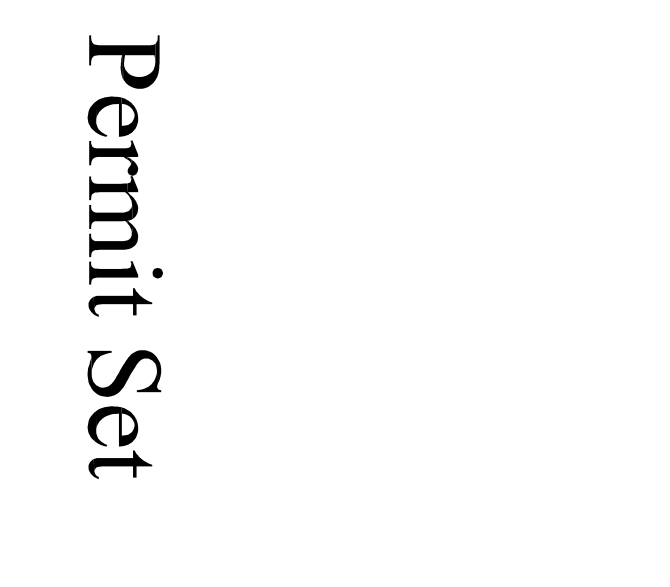
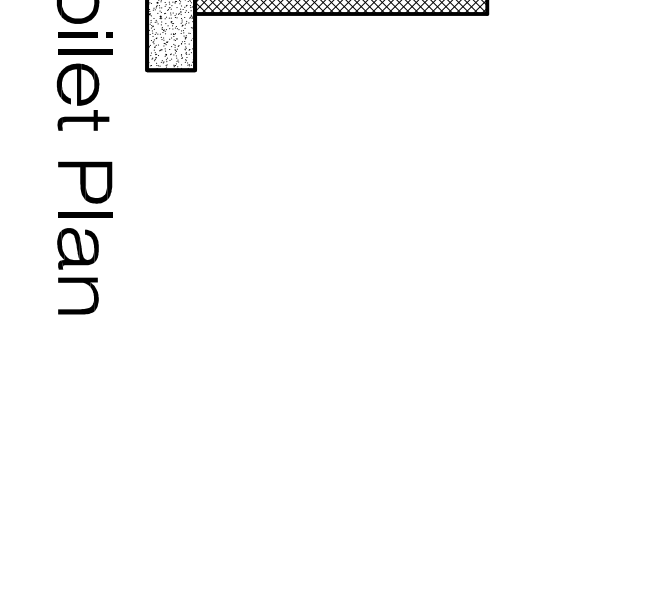
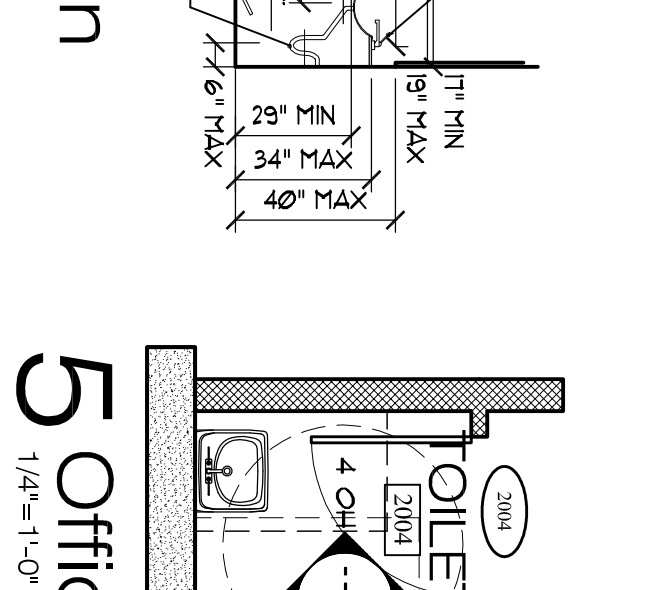
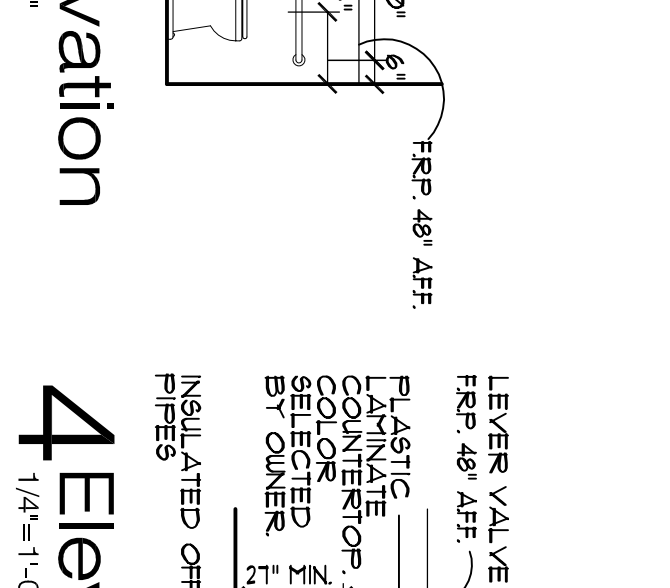
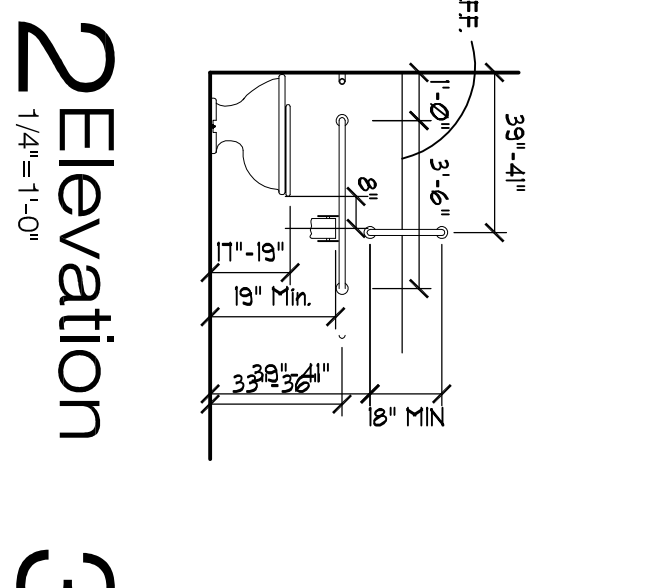
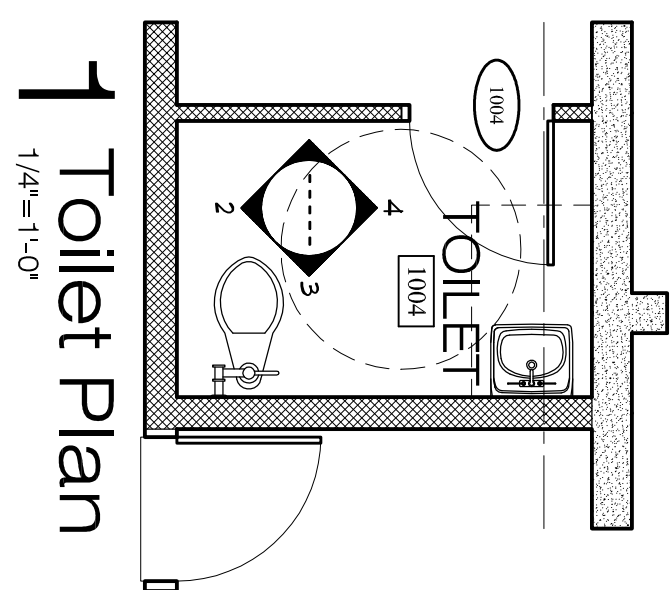
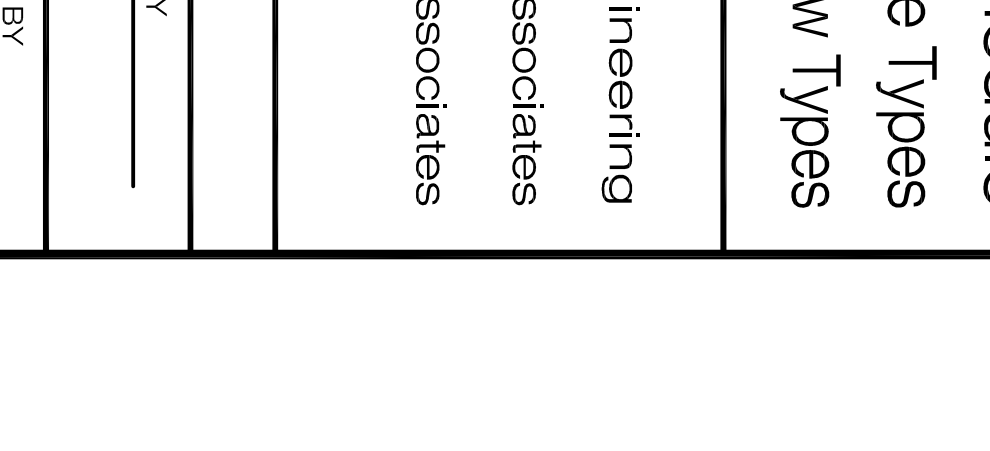
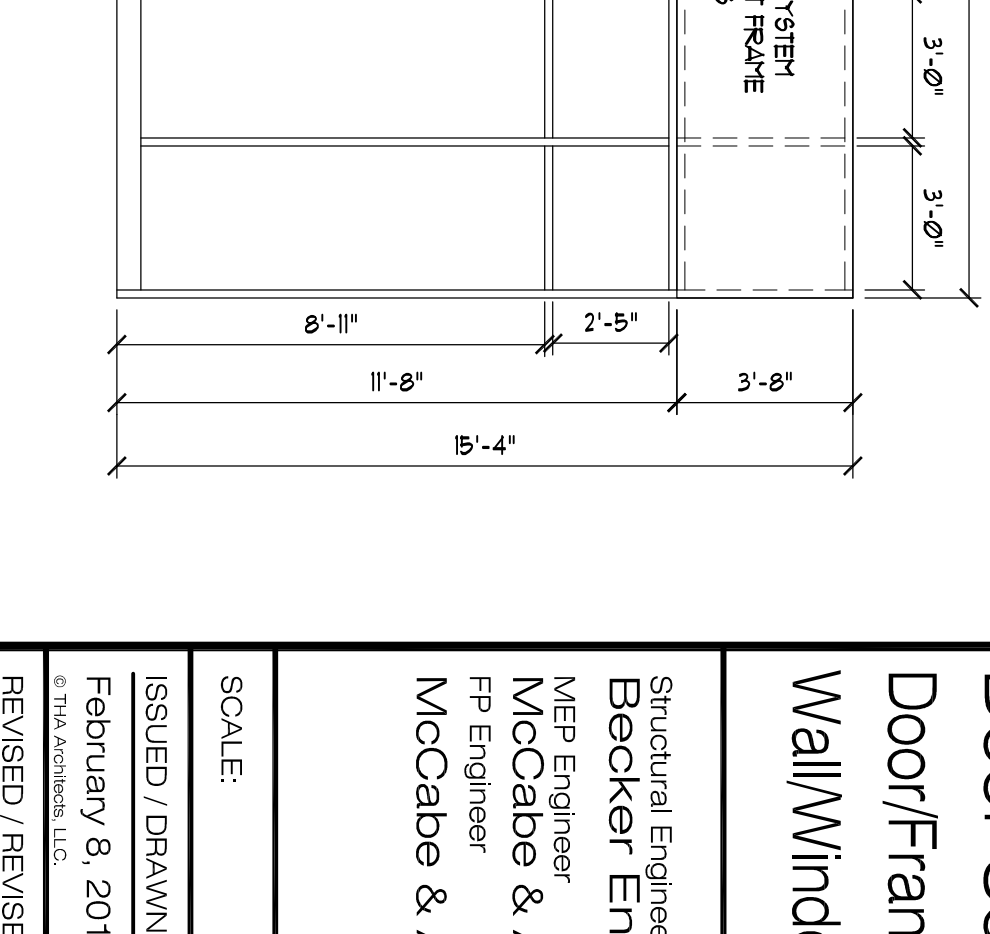
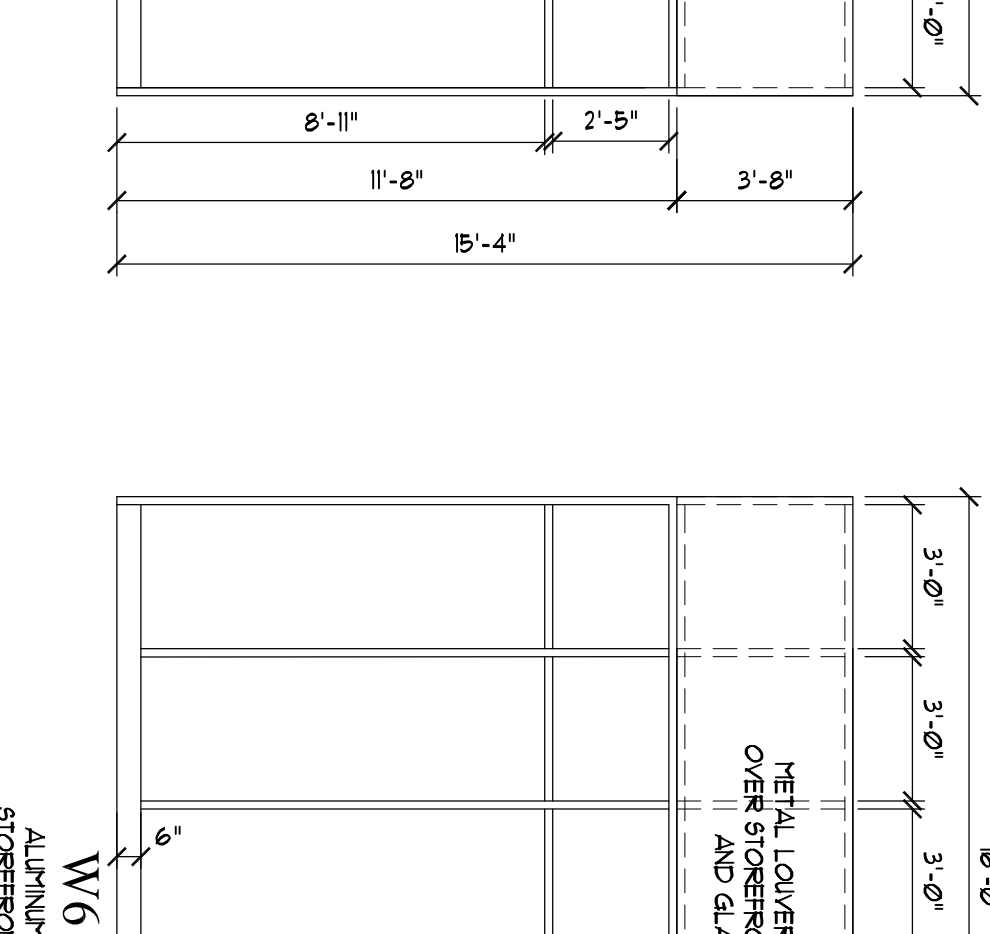
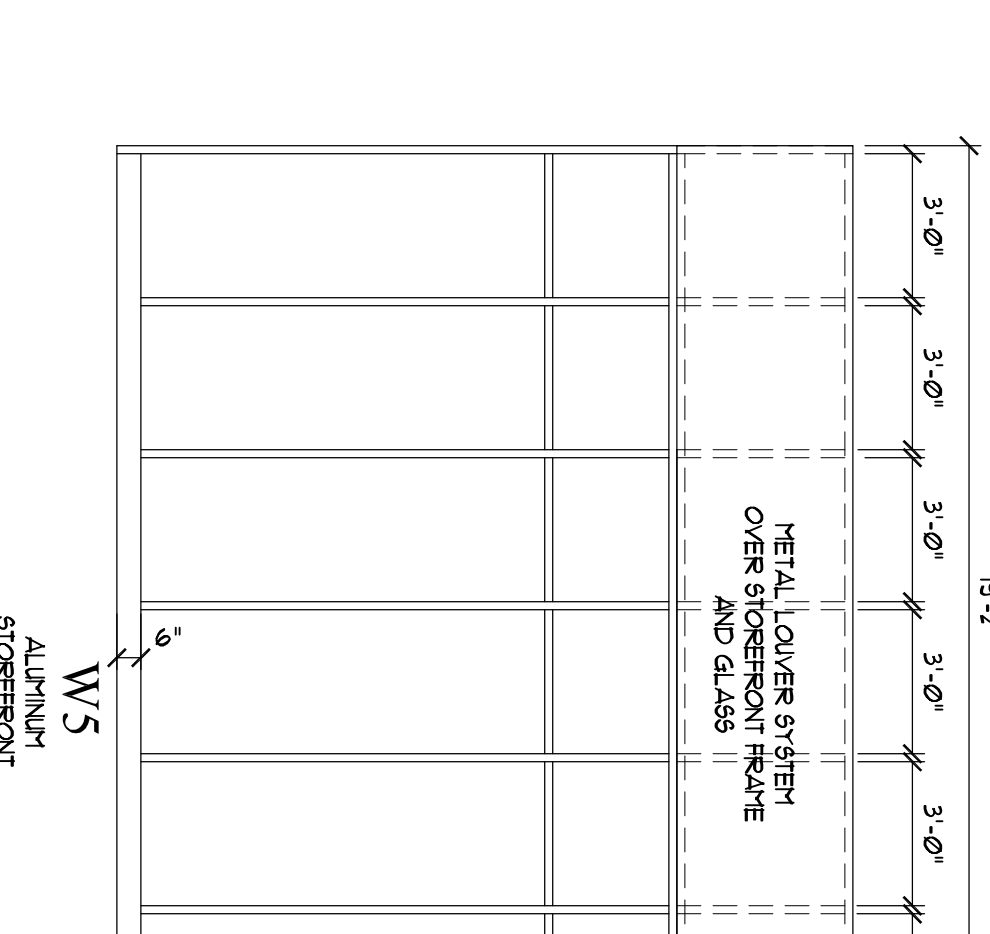
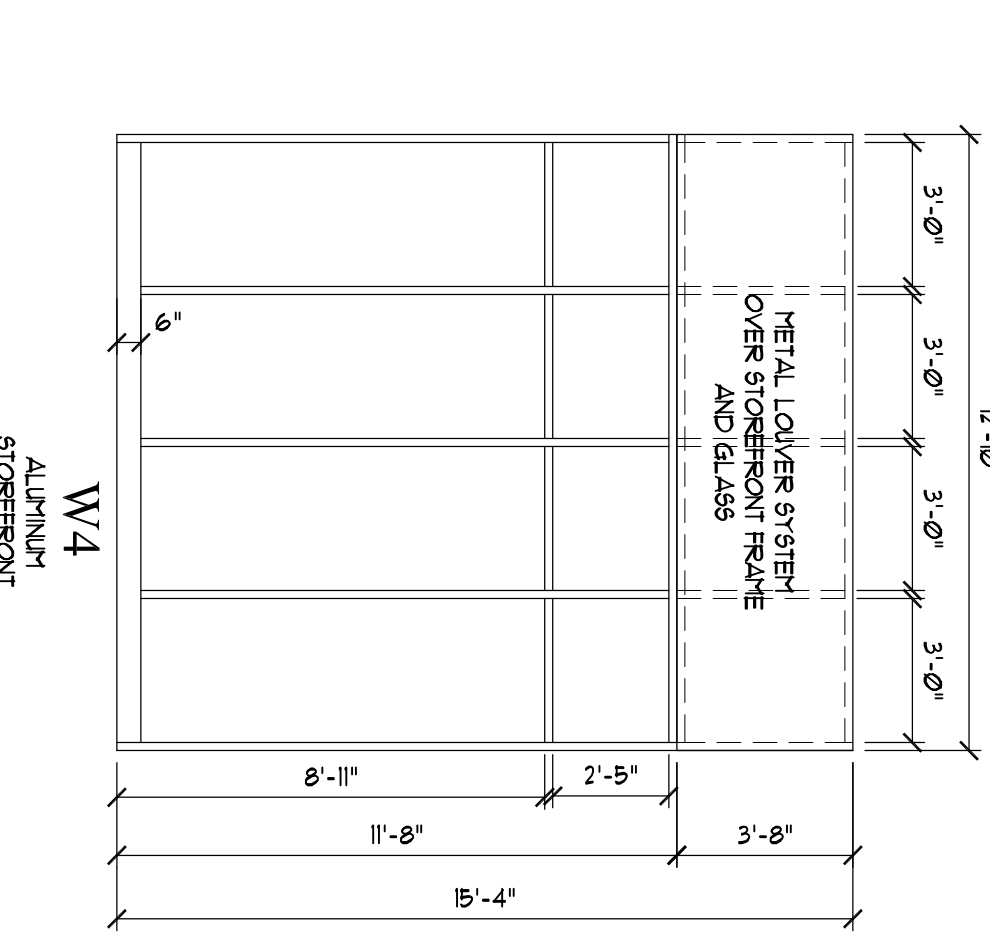
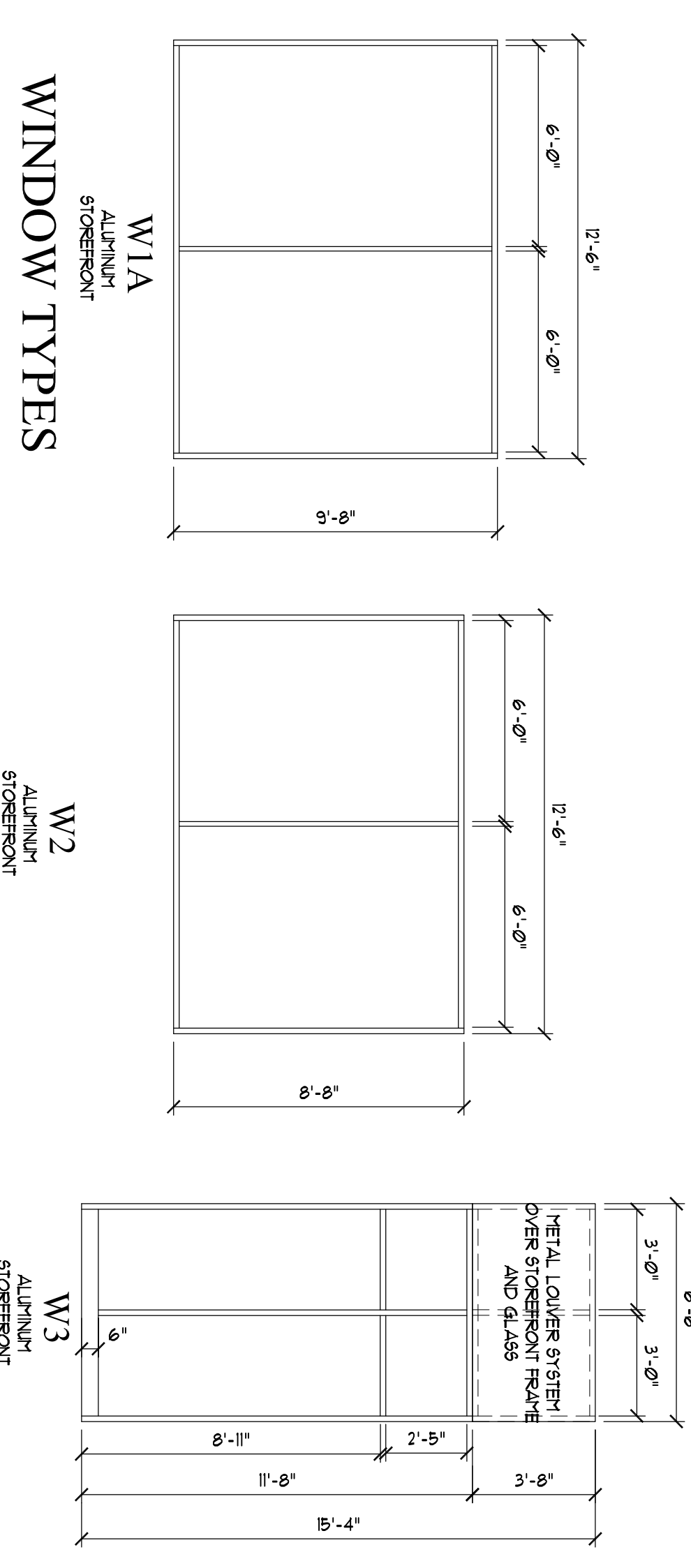


Floor/Ceiling Assemblies



DOOR FRAME TYPES

DOOR NO.	TYPE	MATERIAL	W x H x T	FINISH	FRAME	DETAILS	HWDR RATING	REMARKS
					TYPE	JAMB HEAD/STILL	SH1	
2002a	D3	METAL	3'-0"x7'-0" 1/2"	PAINT	F3	METAL PAINT	01	
2002b	D3	METAL	3'-0"x7'-0" 1/2"	PAINT	F3	METAL PAINT	01	
2002c	D3	METAL	3'-0"x7'-0" 1/2"	PAINT	F3	METAL PAINT	01	
2002d	D3	METAL	3'-0"x7'-0" 1/2"	PAINT	F3	METAL PAINT	01	
2002e	D3	METAL	3'-0"x7'-0" 1/2"	PAINT	F3	METAL PAINT	01	
2001	D1	ALUM.	(72)-0"x71'-0"x3/4"	CLEAR	F1	ALUM. CLEAR	03	
2002	D1	ALUM.	(72)-0"x71'-0"x3/4"	CLEAR	F1	ALUM. CLEAR	03	
2003	D3	METAL	3'-0"x7'-0"x3/4"	PAINT	F3	METAL PAINT	01	
2003a	D3	METAL	3'-0"x7'-0"x3/4"	PAINT	F3	METAL PAINT	01	
2003b	D3	METAL	3'-0"x7'-0"x3/4"	PAINT	F3	METAL PAINT	01	
2003c	D3	METAL	3'-0"x7'-0"x3/4"	PAINT	F3	METAL PAINT	01	
2003d	D3	METAL	3'-0"x7'-0"x3/4"	PAINT	F3	METAL PAINT	01	
2003e	D3	METAL	3'-0"x7'-0"x3/4"	PAINT	F3	METAL PAINT	01	
2001	D3	METAL	3'-0"x6'-8"x3/4"	PAINT	F3	METAL PAINT	01	
2002	D3	METAL	3'-0"x6'-8"x3/4"	PAINT	F3	METAL PAINT	01	
2003	D3	METAL	3'-0"x6'-8"x3/4"	PAINT	F3	METAL PAINT	01	
2004	D3	METAL	3'-0"x6'-8"x3/4"	PAINT	F3	METAL PAINT	01	
2005	D3	METAL	3'-0"x6'-8"x3/4"	PAINT	F3	METAL PAINT	01	
2001	D3	METAL	3'-0"x6'-8"x3/4"	PAINT	F3	METAL PAINT	01	
2002	D3	METAL	3'-0"x6'-8"x3/4"	PAINT	F3	METAL PAINT	01	
2003	D3	METAL	3'-0"x6'-8"x3/4"	PAINT	F3	METAL PAINT	01	
2004	D3	METAL	3'-0"x6'-8"x3/4"	PAINT	F3	METAL PAINT	01	
2005	D3	METAL	3'-0"x6'-8"x3/4"	PAINT	F3	METAL PAINT	01	
2001	D3	METAL	3'-0"x6'-8"x3/4"	PAINT	F3	METAL PAINT	01	
2002	D3	METAL	3'-0"x6'-8"x3/4"	PAINT	F3	METAL PAINT	01	
2003	D3	METAL	3'-0"x6'-8"x3/4"	PAINT	F3	METAL PAINT	01	
2004	D3	METAL	3'-0"x6'-8"x3/4"	PAINT	F3	METAL PAINT	01	
2005	D3	METAL	3'-0"x6'-8"x3/4"	PAINT	F3	METAL PAINT	01	
2001	D3	METAL	3'-0"x6'-8"x3/4"	PAINT	F3	METAL PAINT	01	
2002	D3	METAL	3'-0"x6'-8"x3/4"	PAINT	F3	METAL PAINT	01	
2003	D3	METAL	3'-0"x6'-8"x3/4"	PAINT	F3	METAL PAINT	01	
2004	D3	METAL	3'-0"x6'-8"x3/4"	PAINT	F3	METAL PAINT	01	
2005	D3	METAL	3'-0"x6'-8"x3/4"	PAINT	F3	METAL PAINT	01	



Structural Engineer
Becker Engineering
MEP Engineer
McCabe & Associates
FP Engineer
McCabe & Associates

SCALE:
ISSUED / DRAWN BY
February 8, 2016
REVISIONS / REVISED BY
APRIL 15, 2016
JUNE 2, 2016
MARCH 2, 2018
MARCH 15, 2018

JOB NO.: 15001
SHEET NUMBER
A-6.1

THA ARCHITECTS, LLC
105 WILLIAM BROOK AVENUE
SOUTHAMPTON, NEW HAMPSHIRE 03886
www.thaarch.com
Tel: (603) 770-2491 Fax: (603) 773-0288

These drawings and specifications were prepared for use at the location indicated. In addition and use as expressed) limited to the named location or in part is prohibited without the written permission of THA Architects, LLC.
© 2018 THA Architects, LLC.

midtown Portland
Somerset Street
Elm Street
Portland, ME

Building 2
Door Schedule
Door/Frame Types
Wall/Window Types

Permit Set