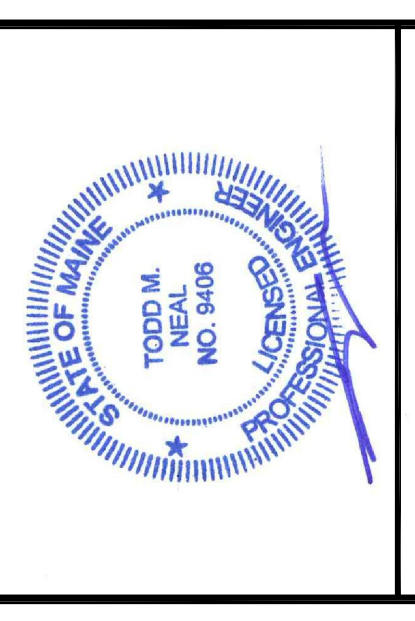


**THA ARCHITECTS, LLC**  
 ARCHITECTURE • PLANNING • INTERIOR DESIGN  
 105 WILLOW BROOK AVENUE  
 STRATHAM, NEW HAMPSHIRE 03885  
 Tel: (603) 770-2491 Fax: (603) 773-0238  
 WWW.THARCH.COM

These drawings and specifications were prepared for use at the location indicated. Publication and reuse of these drawings without the written permission of THA Architects, LLC.



midtown Portland

Somerset Street  
 Elm Street  
 Portland, ME

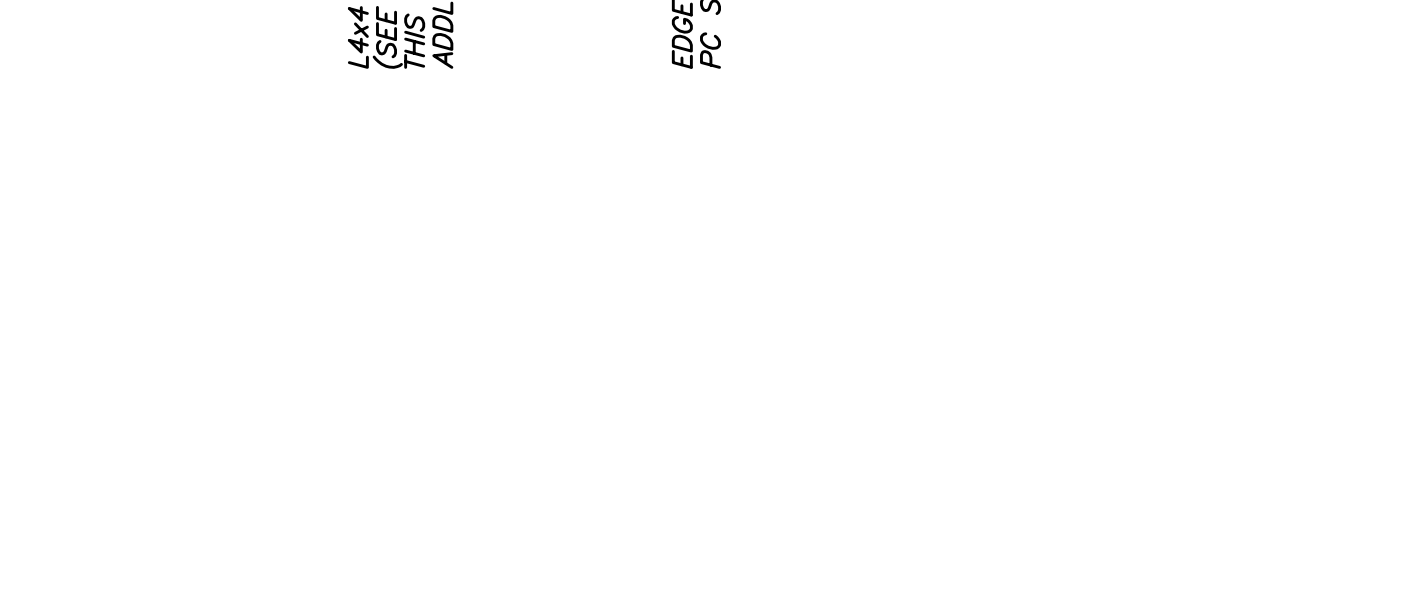
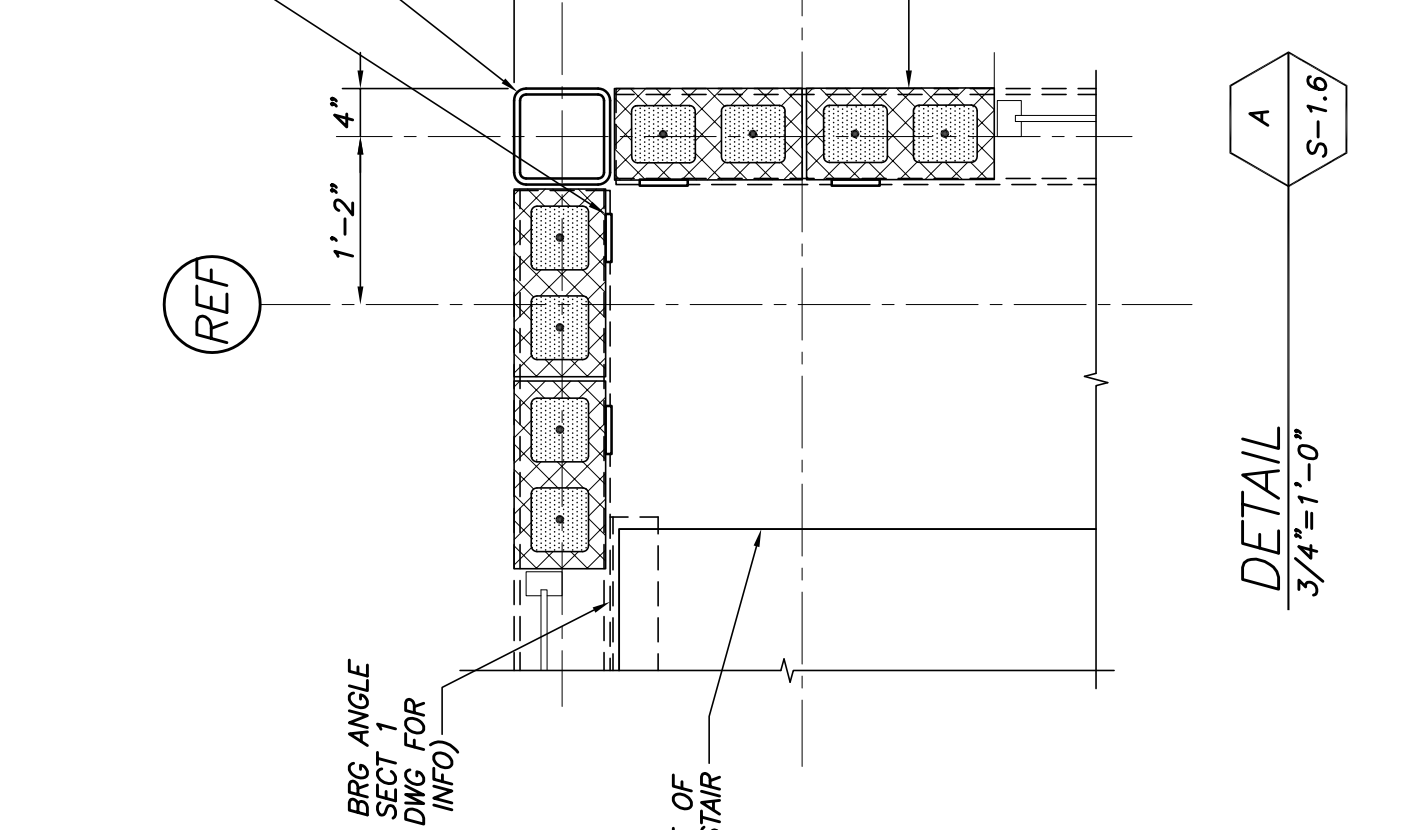
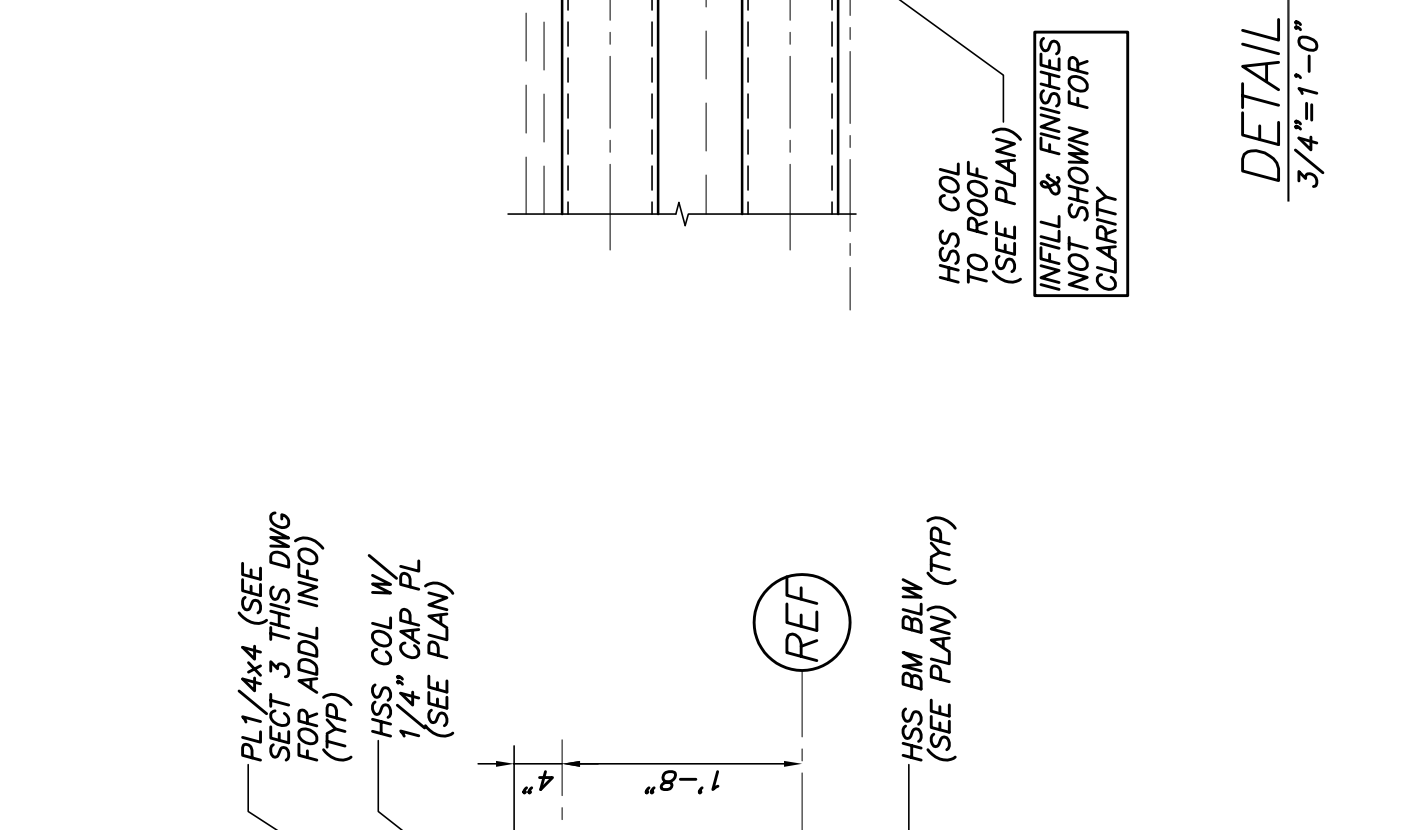
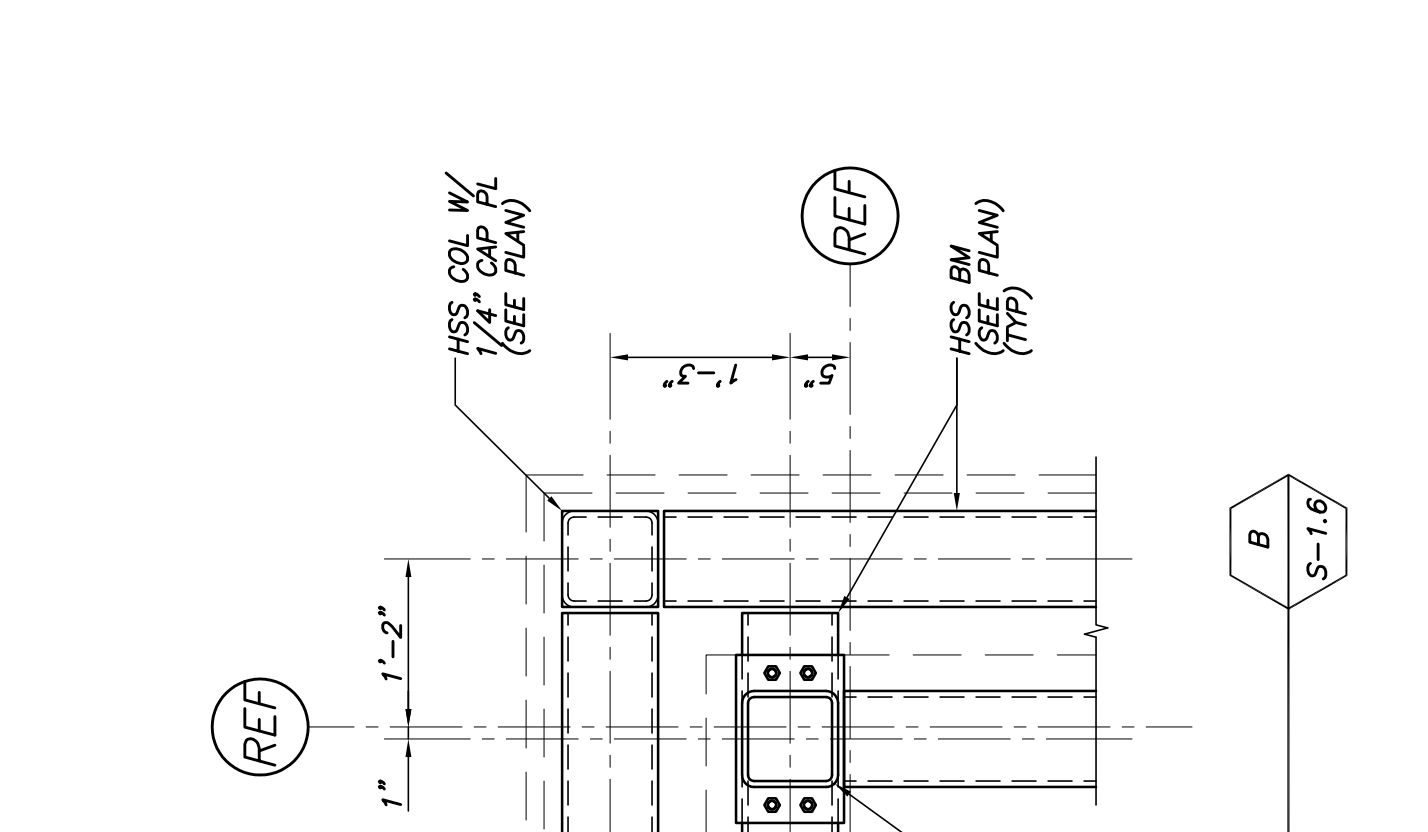
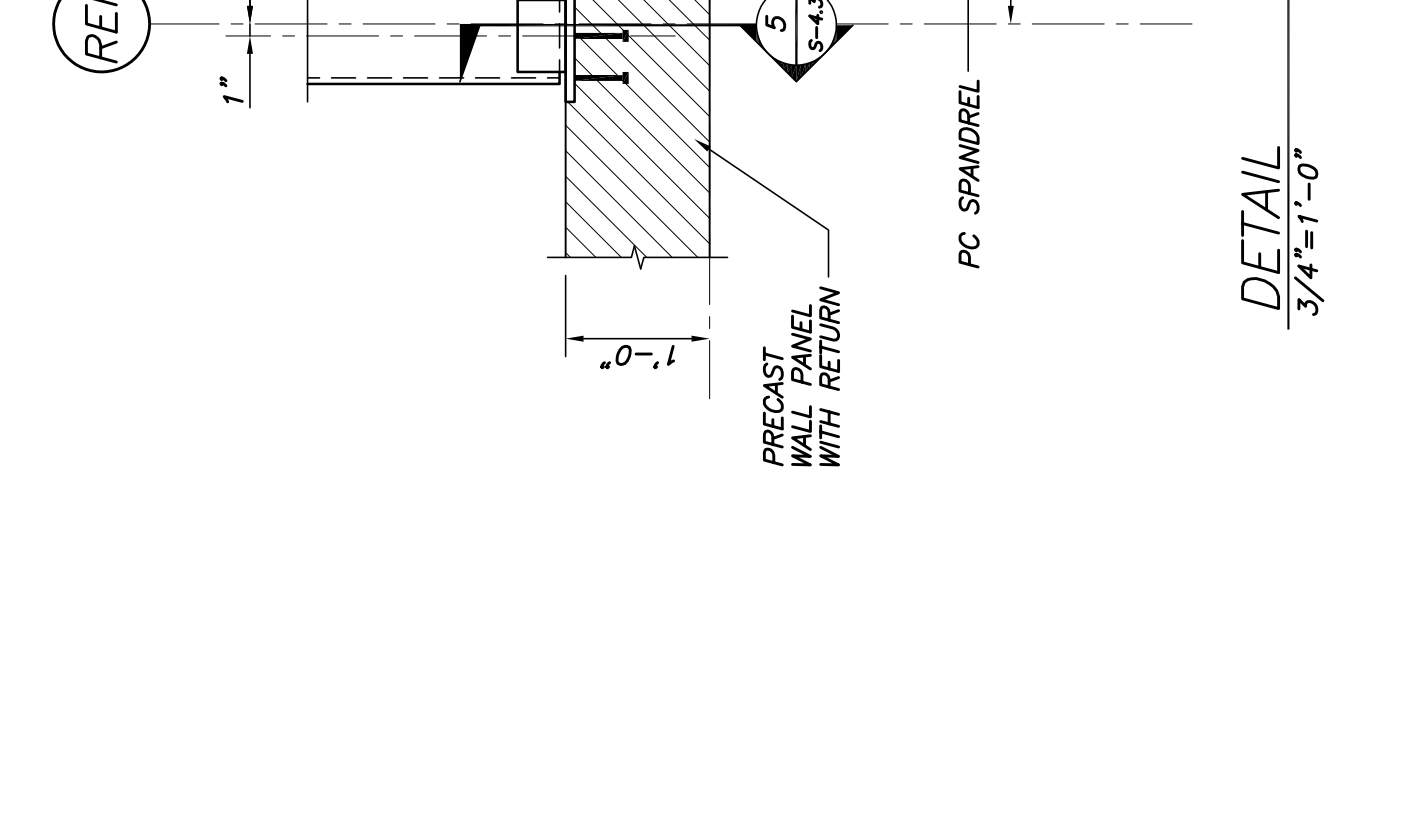
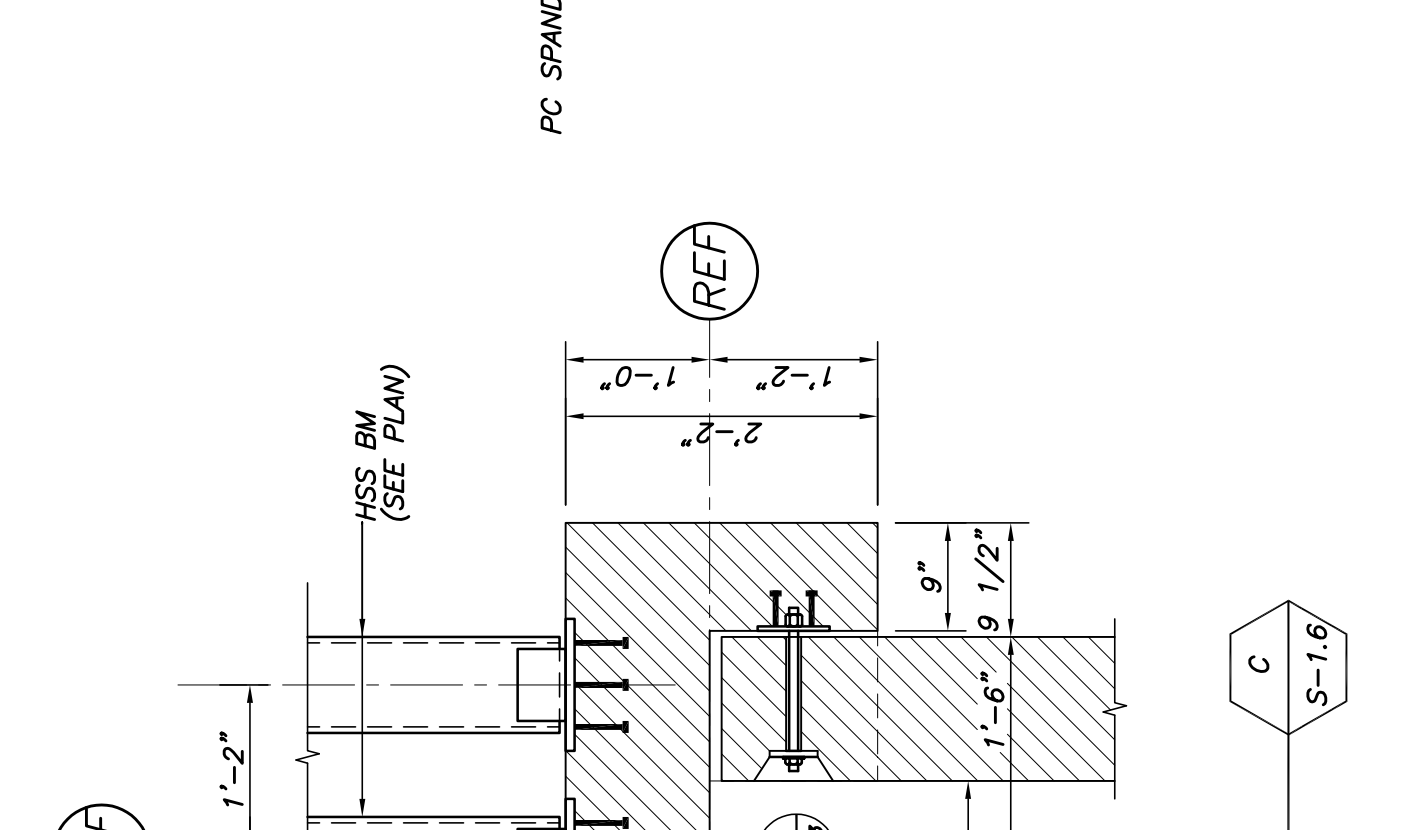
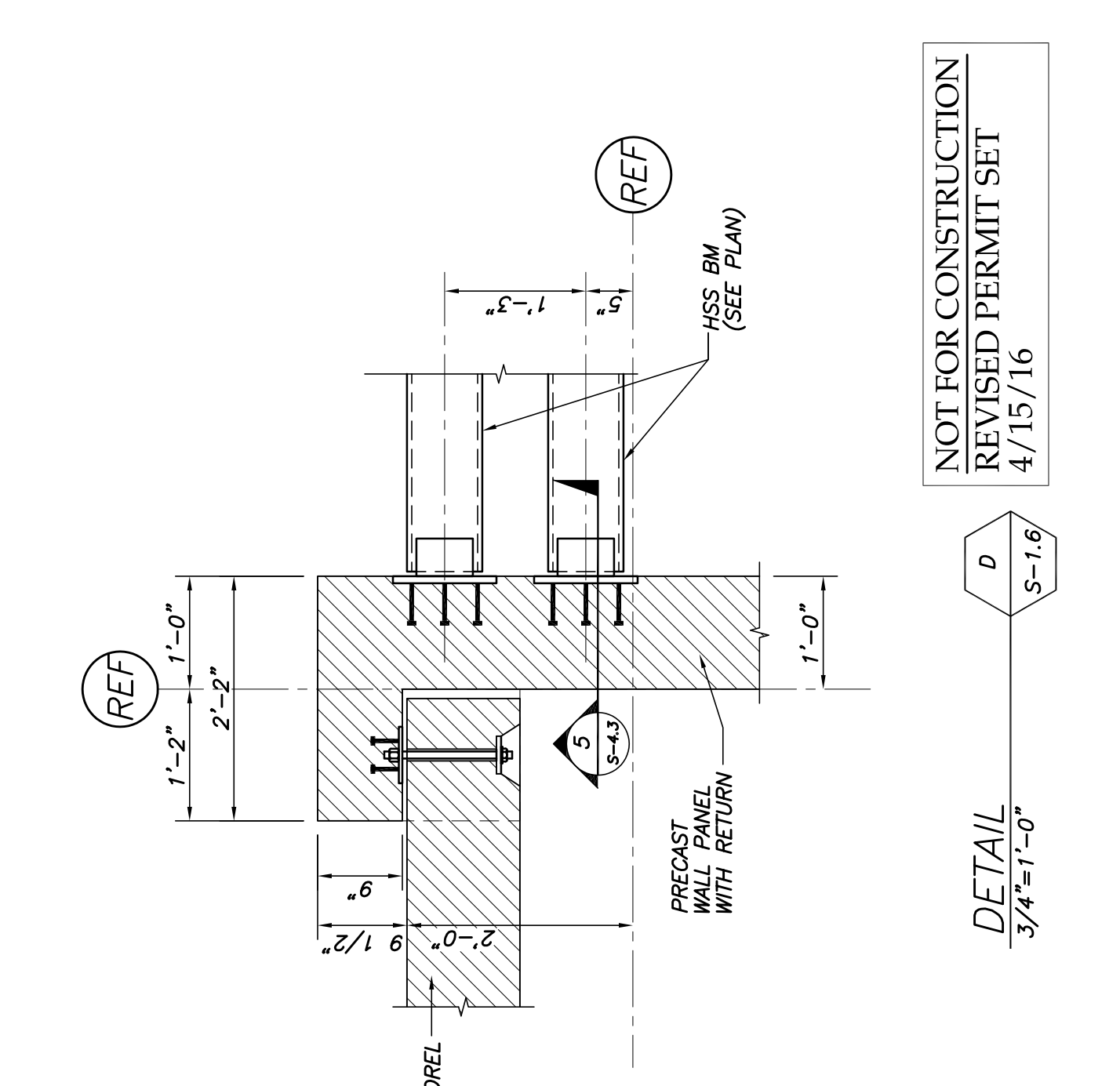
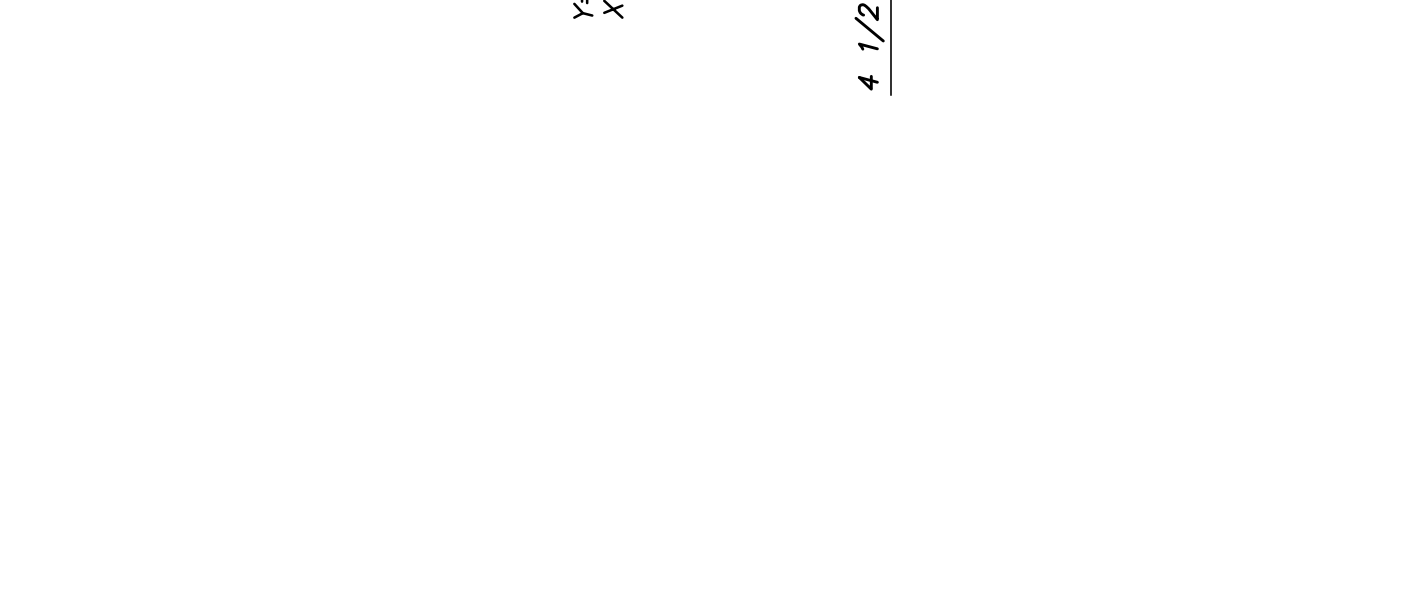
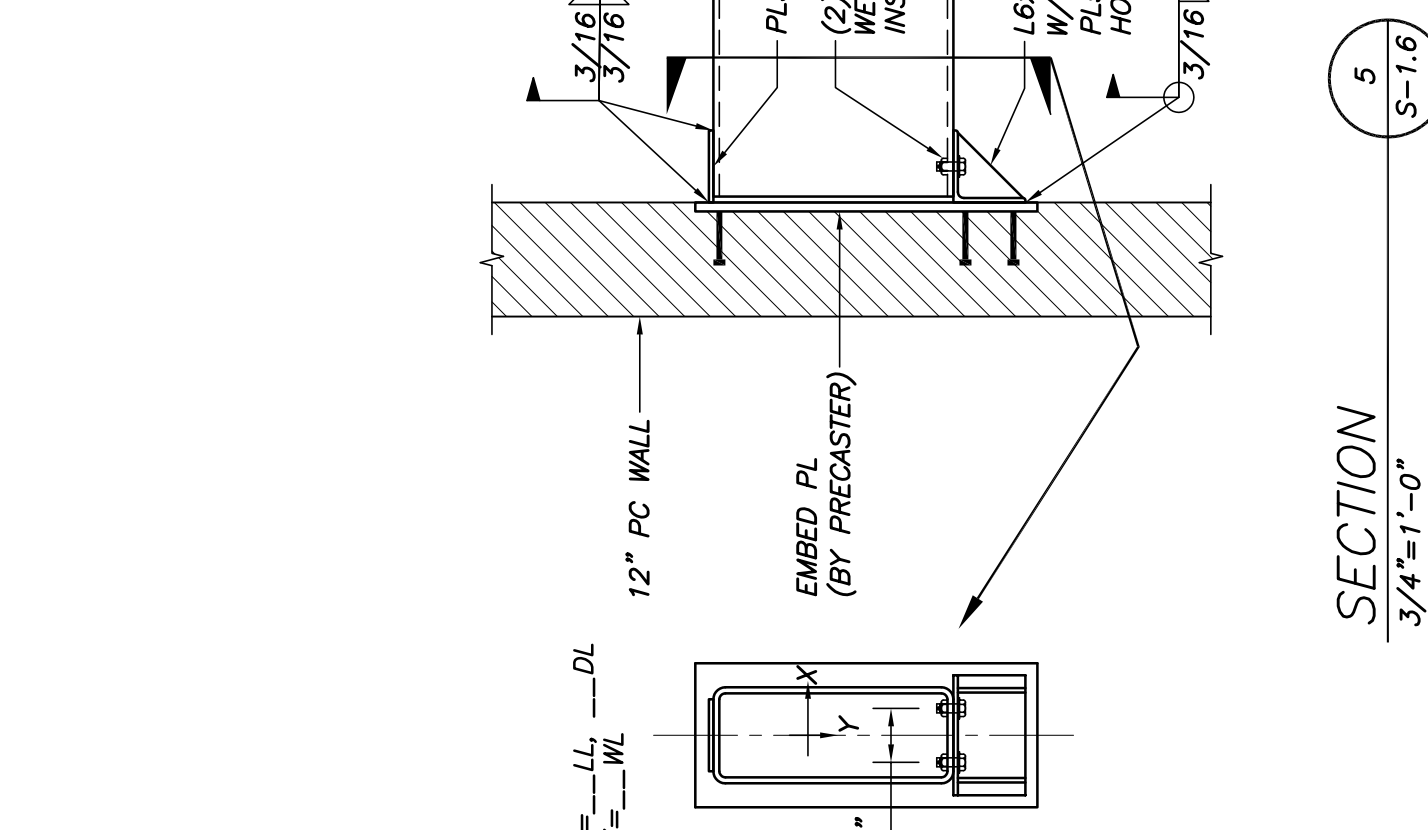
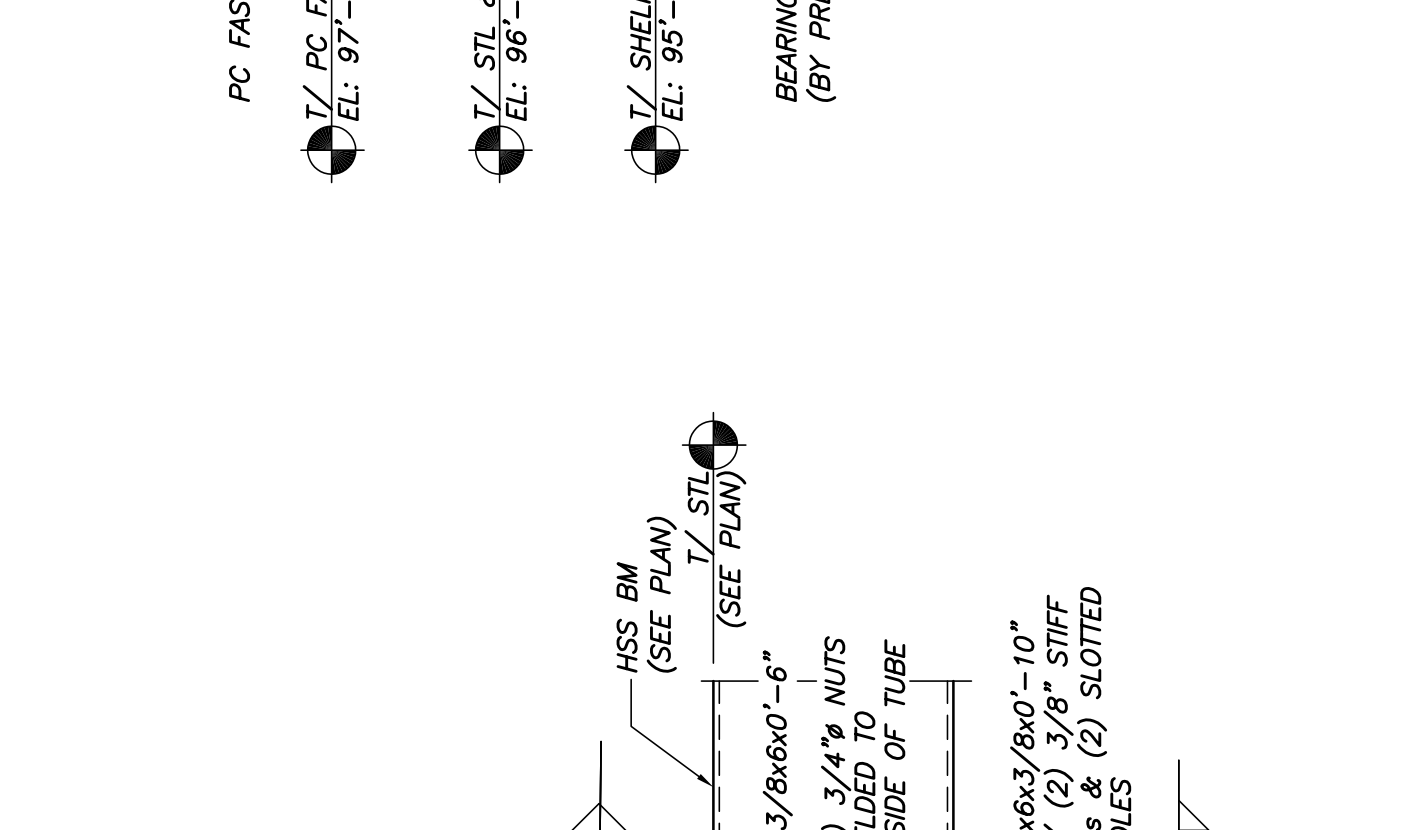
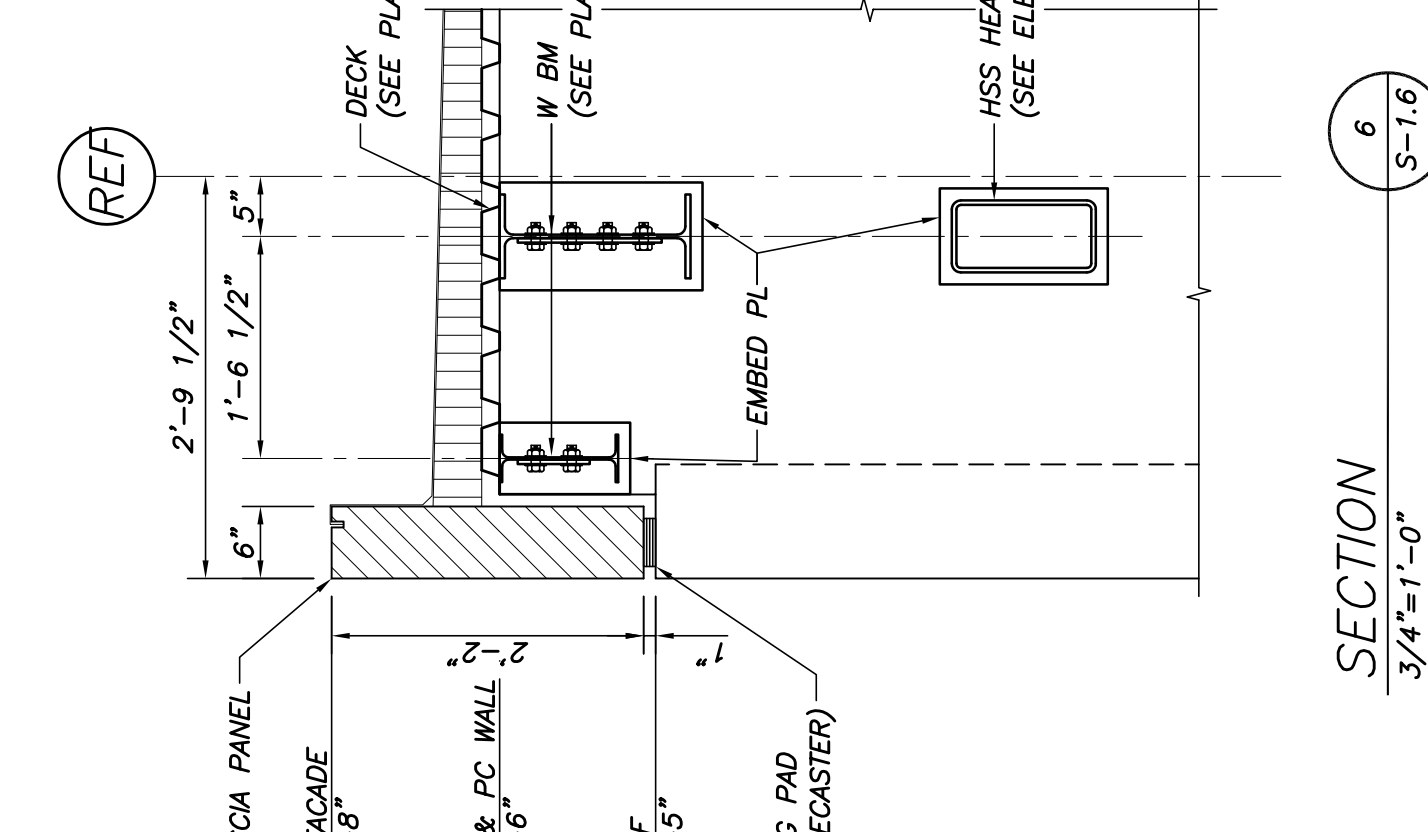
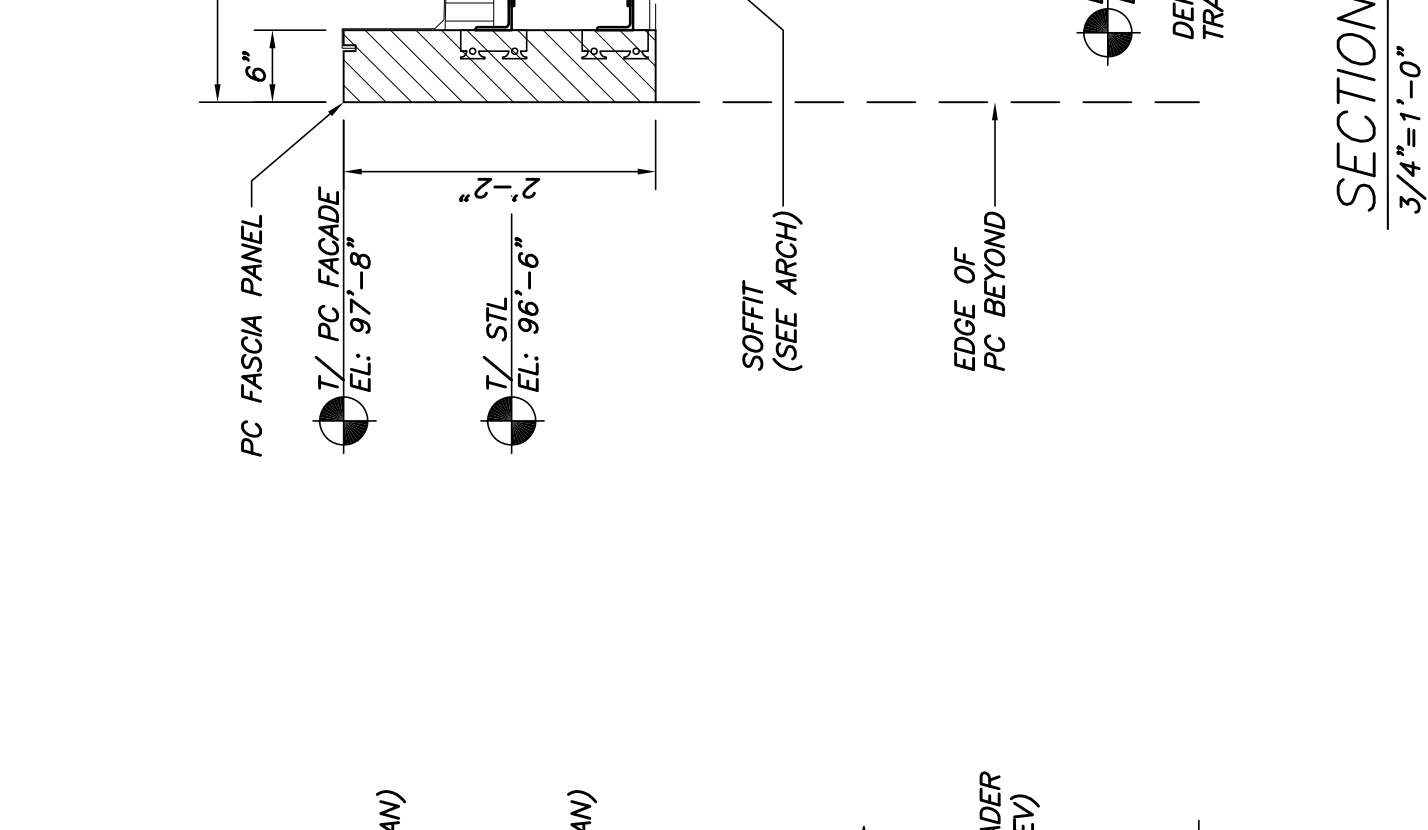
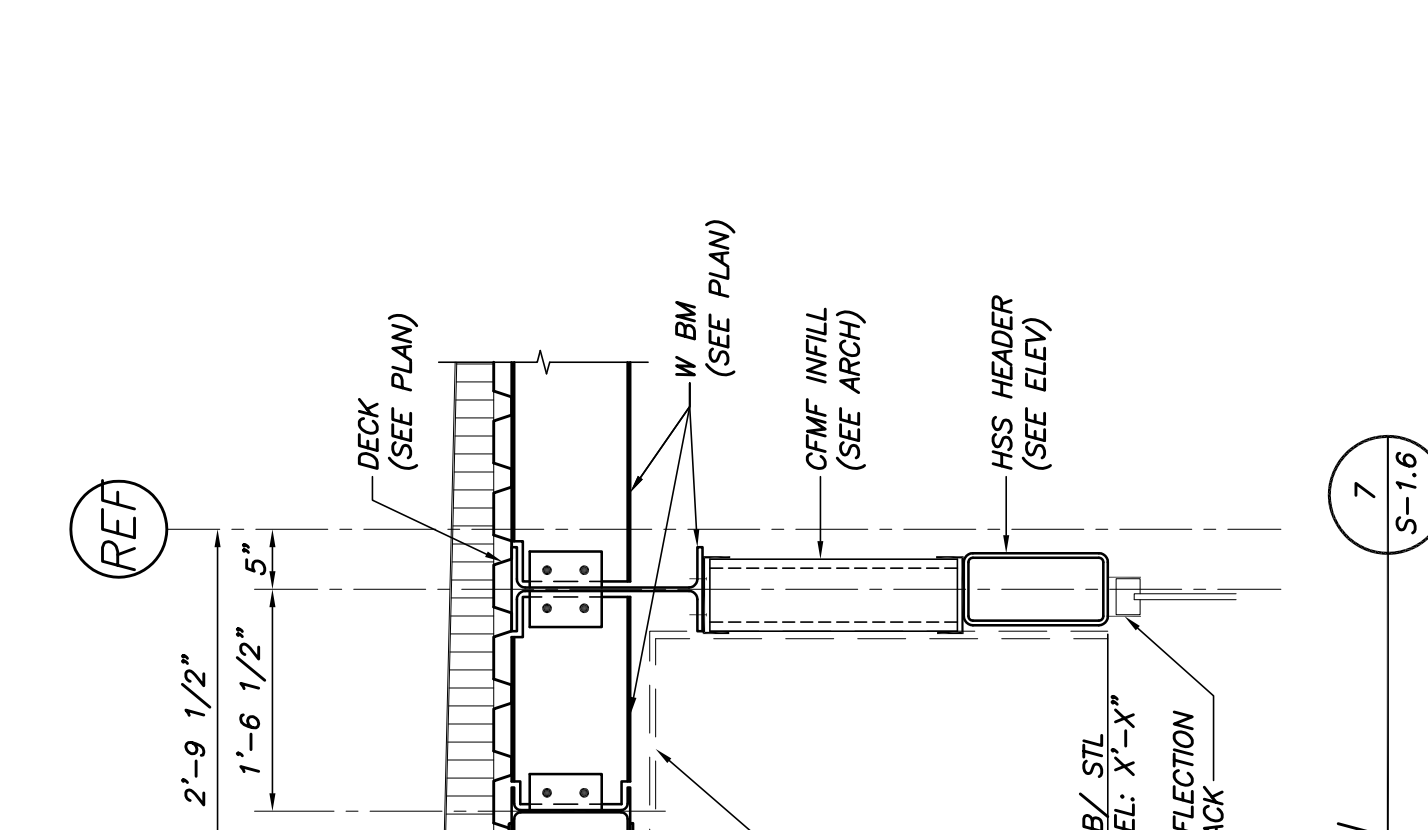
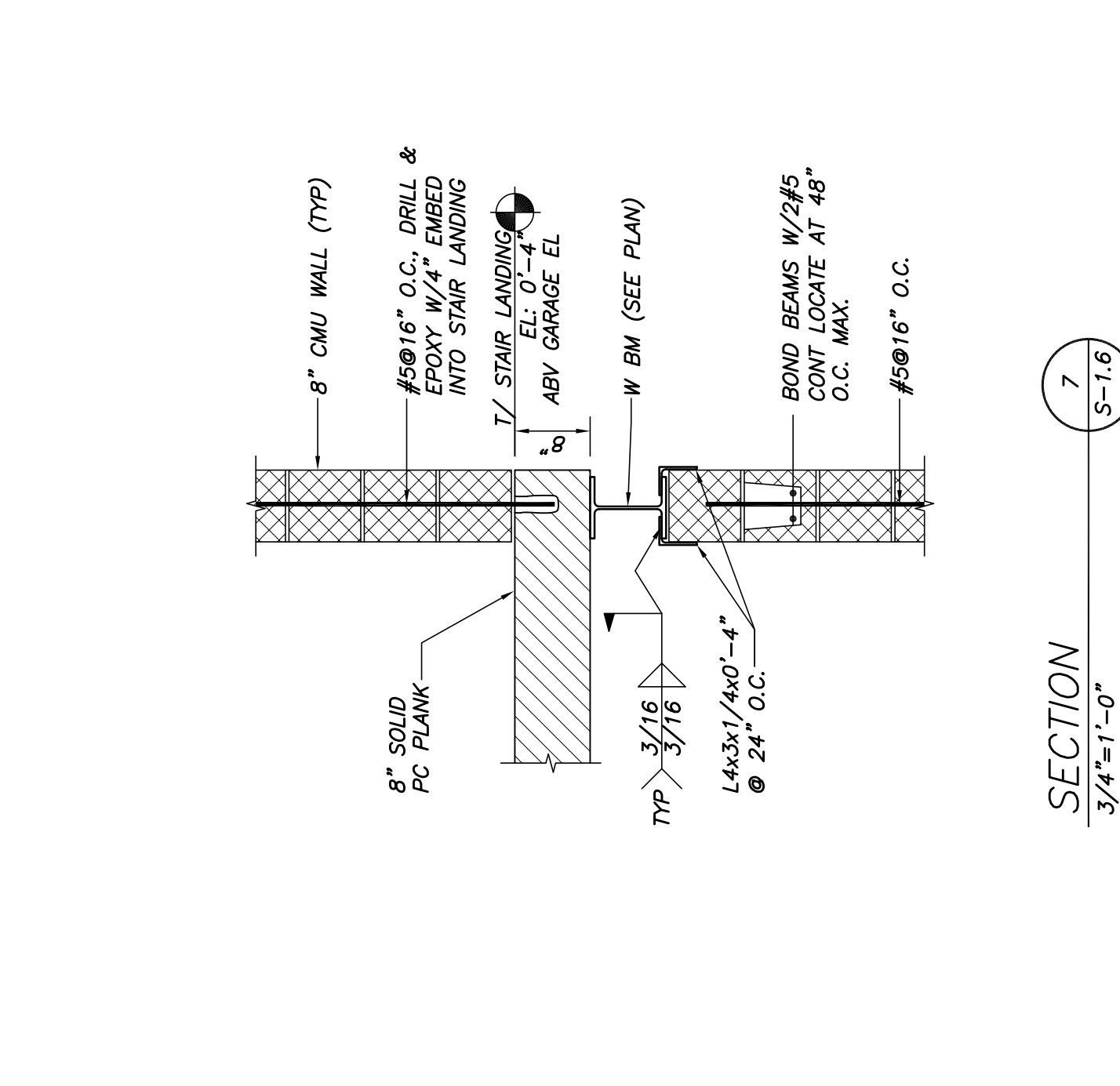
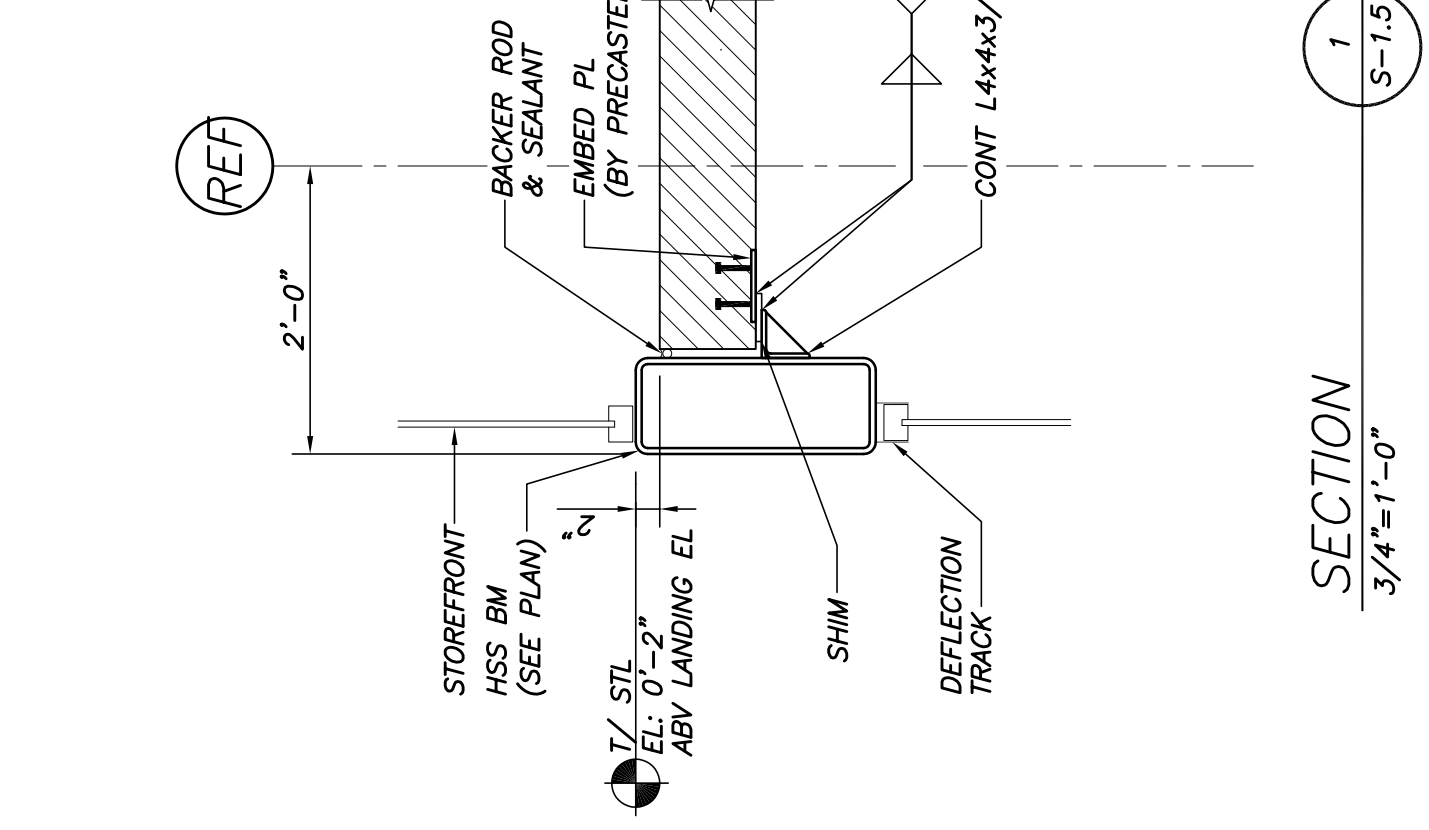
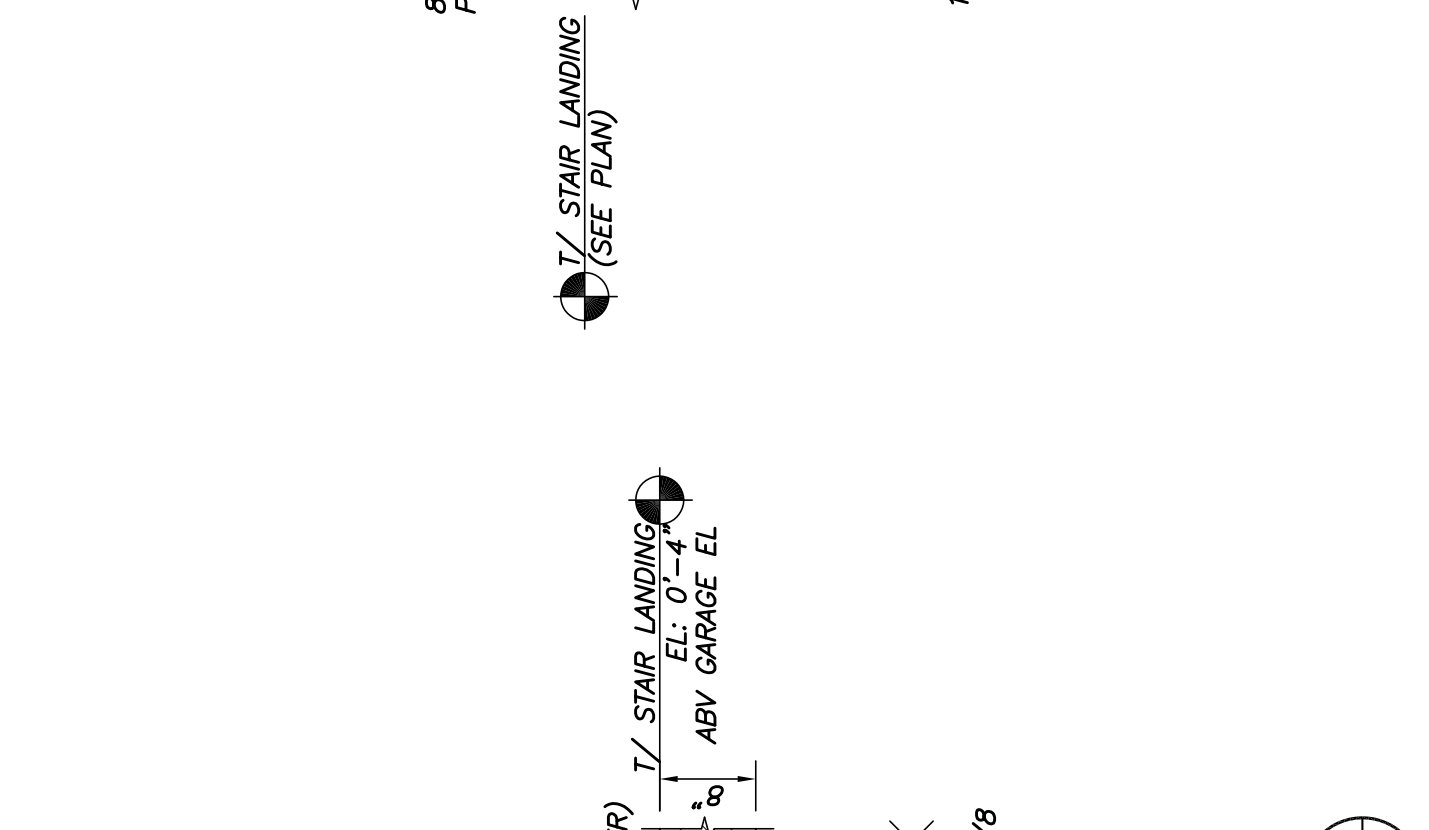
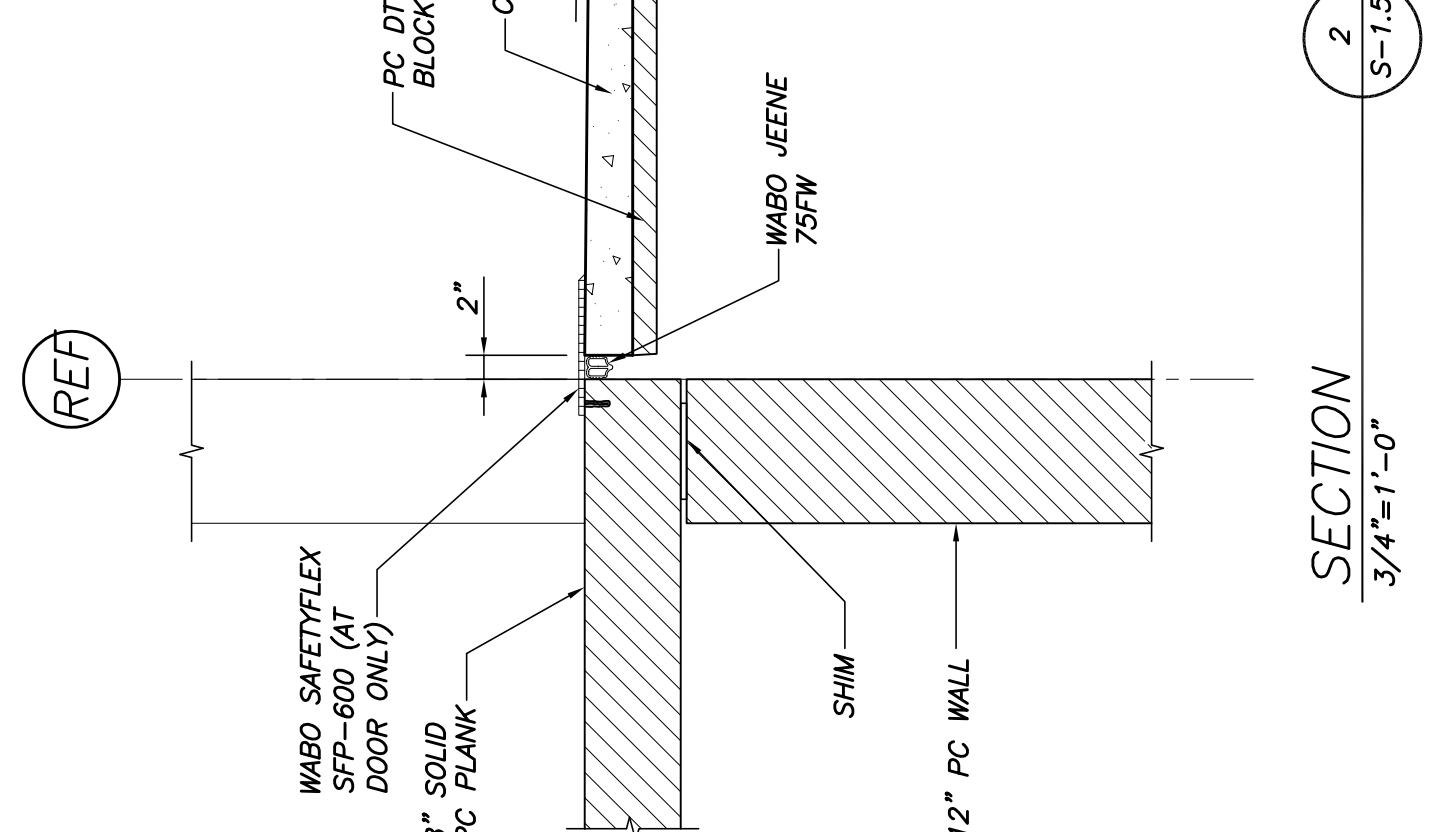
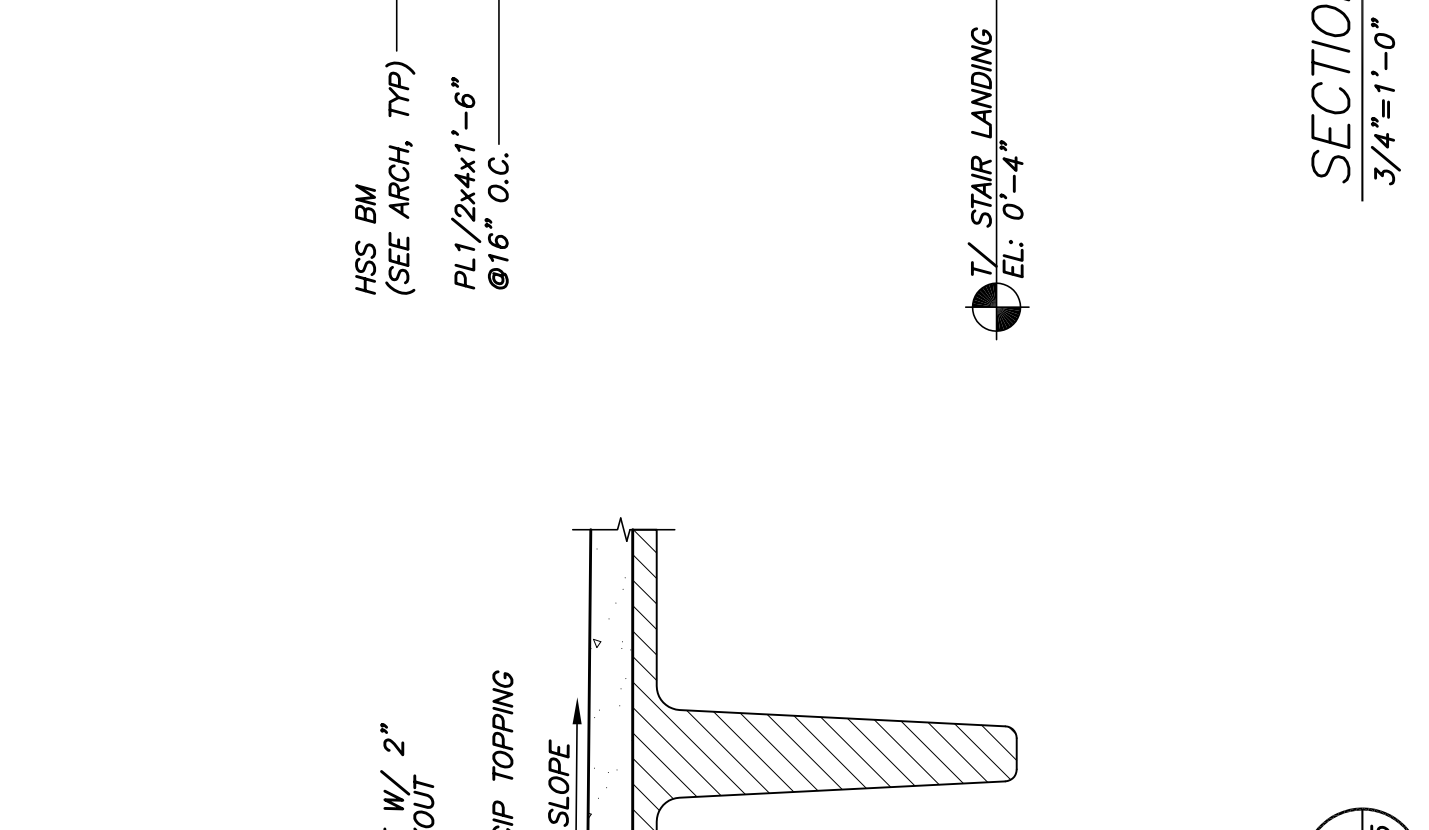
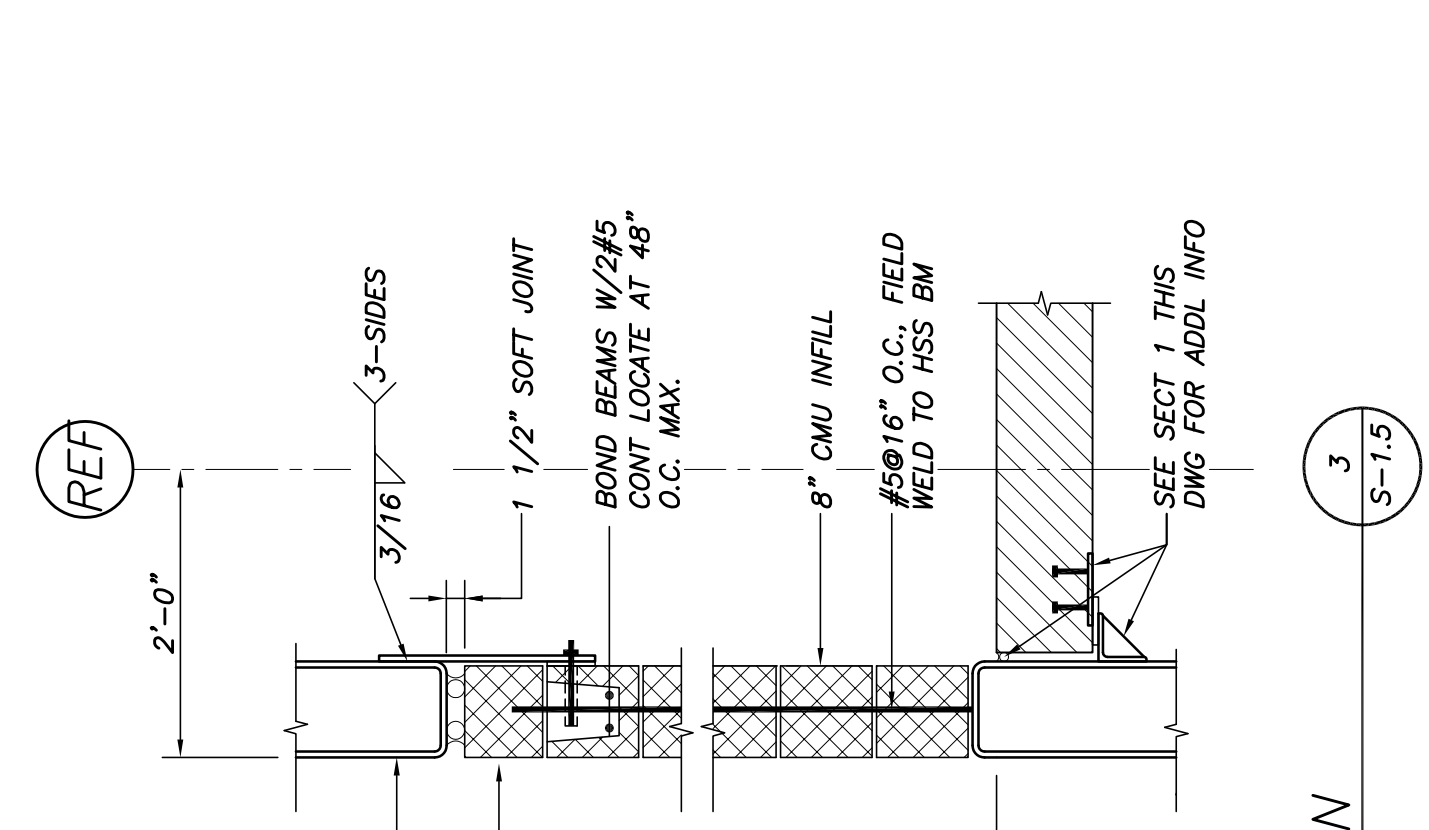
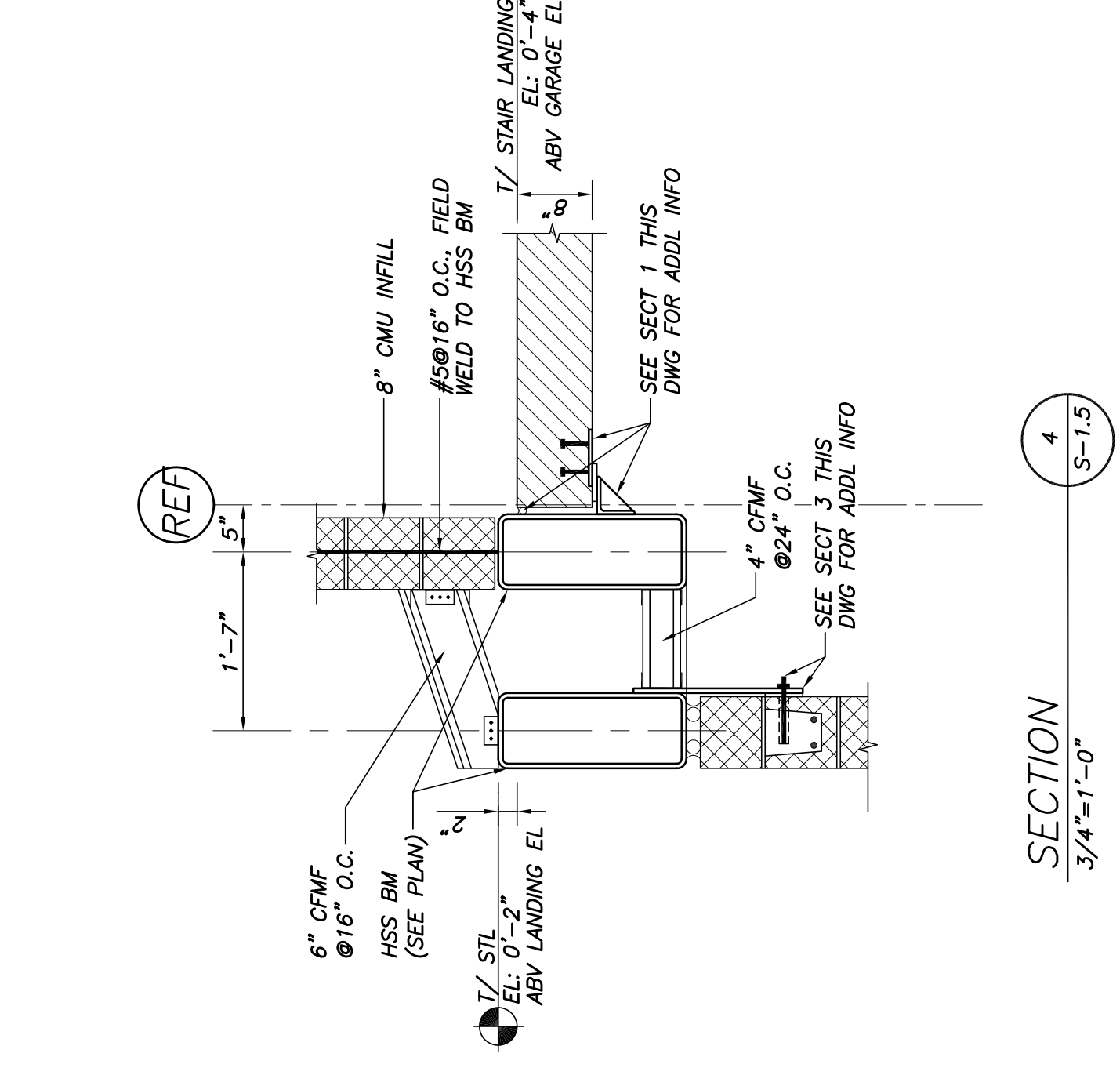
Building 2  
 STAIR TOWER  
 SECTIONS & DETAILS

Structural Engineer  
**BECKER** STRUCTURAL ENGINEERS  
 75 York Street, Portland, Maine 04101  
 207.579.1838 • beckerstructural.com

MEP Engineer  
**McCabe & Associates**  
 FP Engineer  
**McCabe & Associates**

SCALE: AS NOTED  
 ISSUED / DRAWN BY \_\_\_\_\_  
 REVISIONS / REVISED BY \_\_\_\_\_  
 APRIL 15, 2016

JOB NO: 15001  
 SHEET NUMBER  
**S-4.3**



NOT FOR CONSTRUCTION  
 REVISED PERMIT SET  
 4/15/16

DETAIL 3/4"=1'-0"

DETAIL 3/4"=1'-0"

DETAIL 3/4"=1'-0"

DETAIL 3/4"=1'-0"

DETAIL 3/4"=1'-0"

DETAIL 3/4"=1'-0"

DETAIL 3/4"=1'-0"

DETAIL 3/4"=1'-0"

DETAIL 3/4"=1'-0"