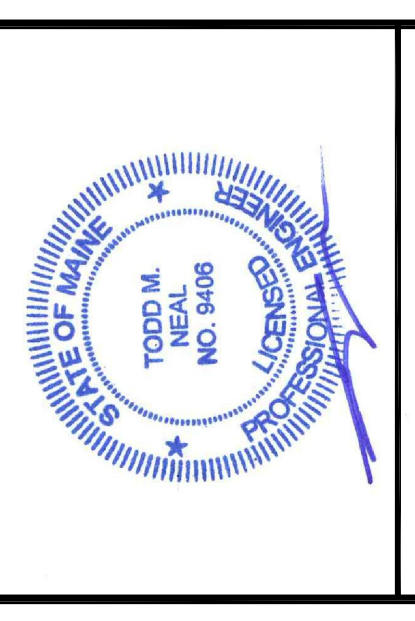


**THA ARCHITECTS, LLC**  
 ARCHITECTURE • DESIGN • PLANNING • INTERIOR DESIGN  
 105 WILLOW BROOK AVENUE  
 STRATHAM, NEW HAMPSHIRE 03885  
 Tel: (603) 770-2491 Fax: (603) 773-0238  
 WWW.THAARCH.COM

These drawings and specifications were prepared for use at the location indicated. Publication and reproduction in any form, by any method, in whole or in part, is prohibited without the written permission of THA Architects, LLC.  
 © 2015 THA Architects, LLC.



midtown Portland  
 Somerset Street  
 Elm Street  
 Portland, ME

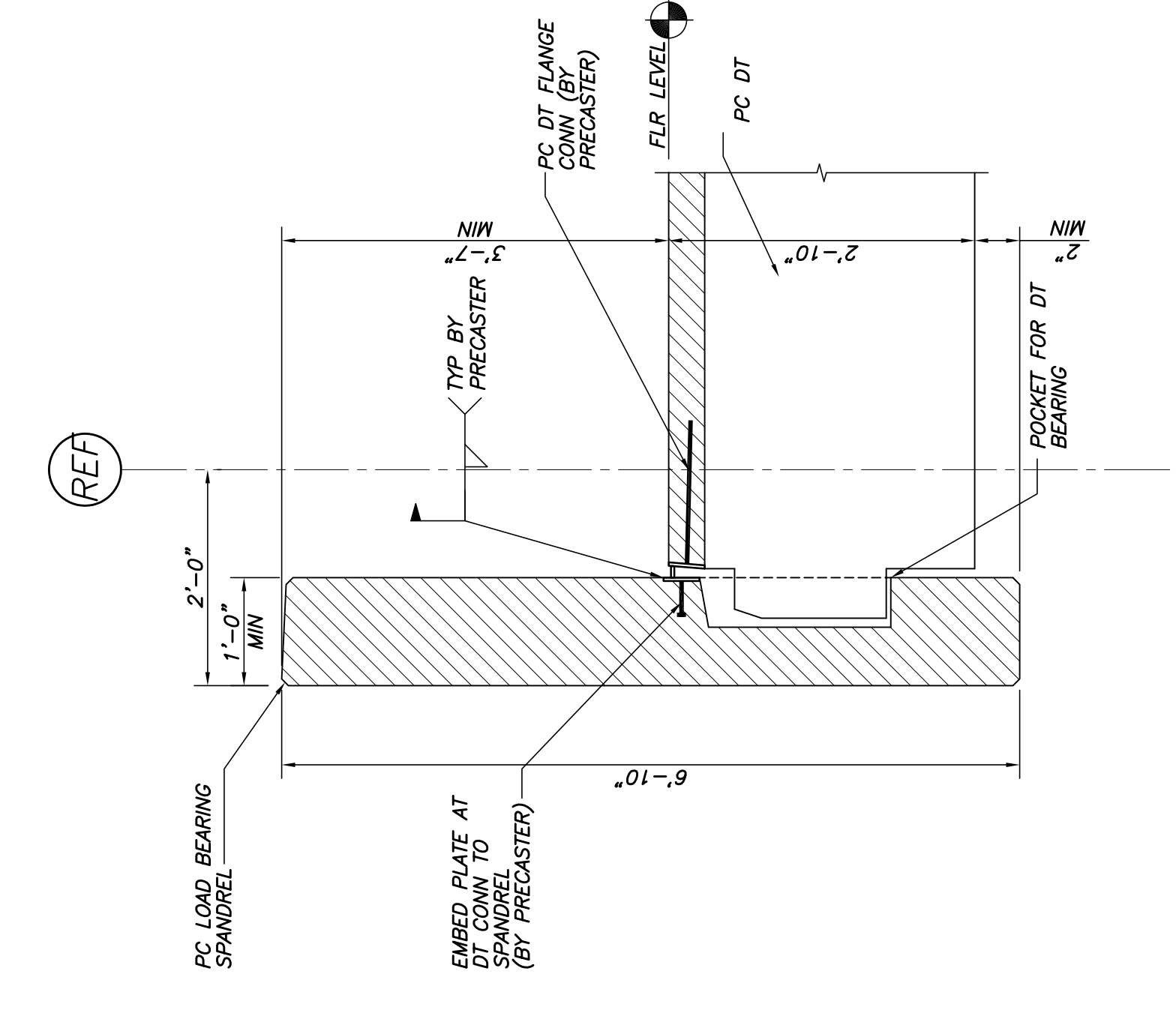
Building 2  
 TYPICAL PRECAST  
 SECTIONS & DETAILS

Structural Engineer  
**BECKER** STRUCTURAL ENGINEERS  
 75 York Street, Portland, Maine 04101  
 207.979.1838 • beckerstructural.com

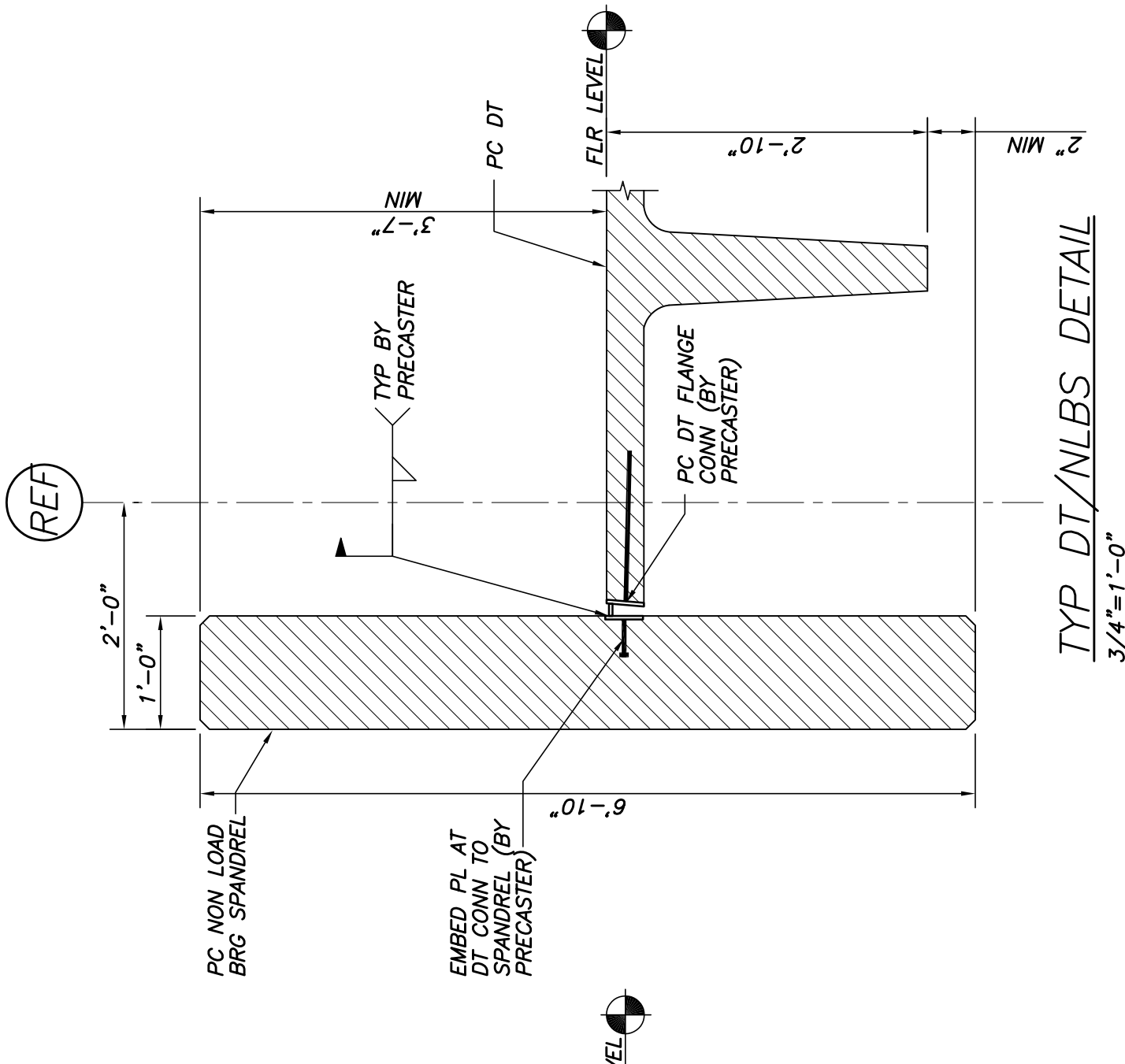
MEP Engineer  
 McCabe & Associates  
 FP Engineer  
 McCabe & Associates

SCALE: AS NOTED  
 ISSUED / DRAWN BY \_\_\_\_\_  
 REVISIONS / REVISED BY \_\_\_\_\_  
 APRIL 15, 2016

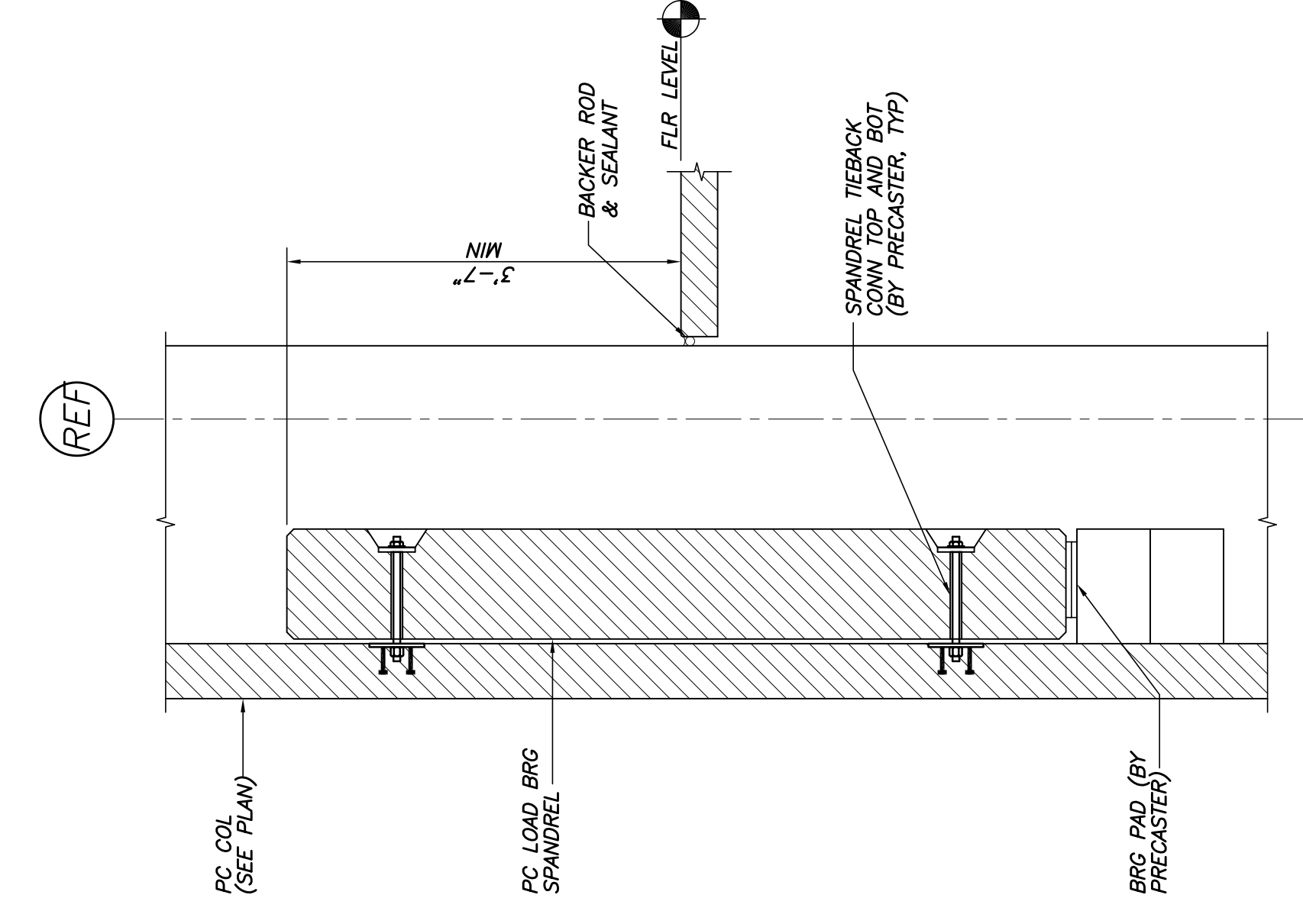
JOB NO: 15001  
 SHEET NUMBER  
**S-4.2**



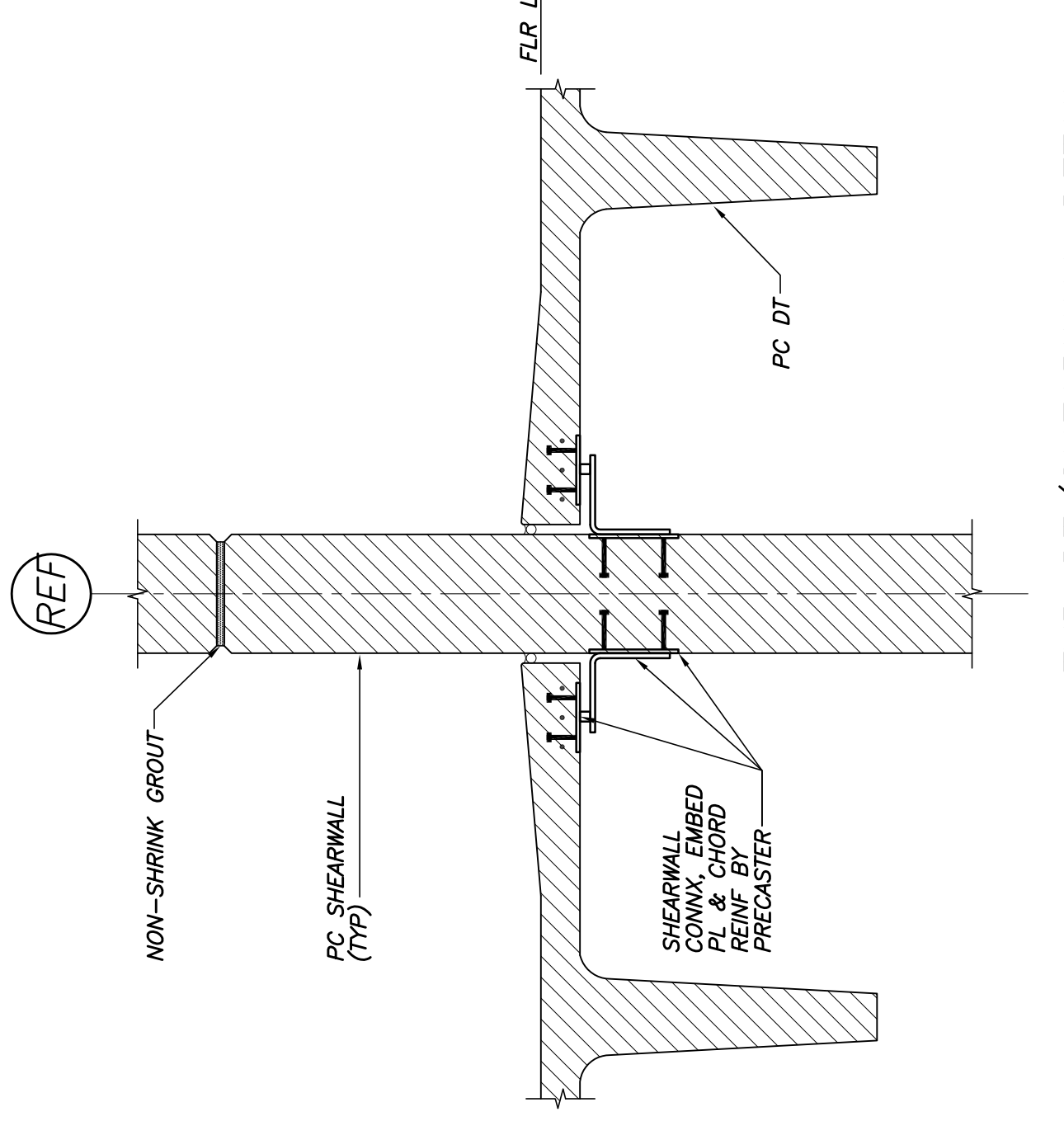
TYP DI/LBS DETAIL  
 3/4"=1'-0"



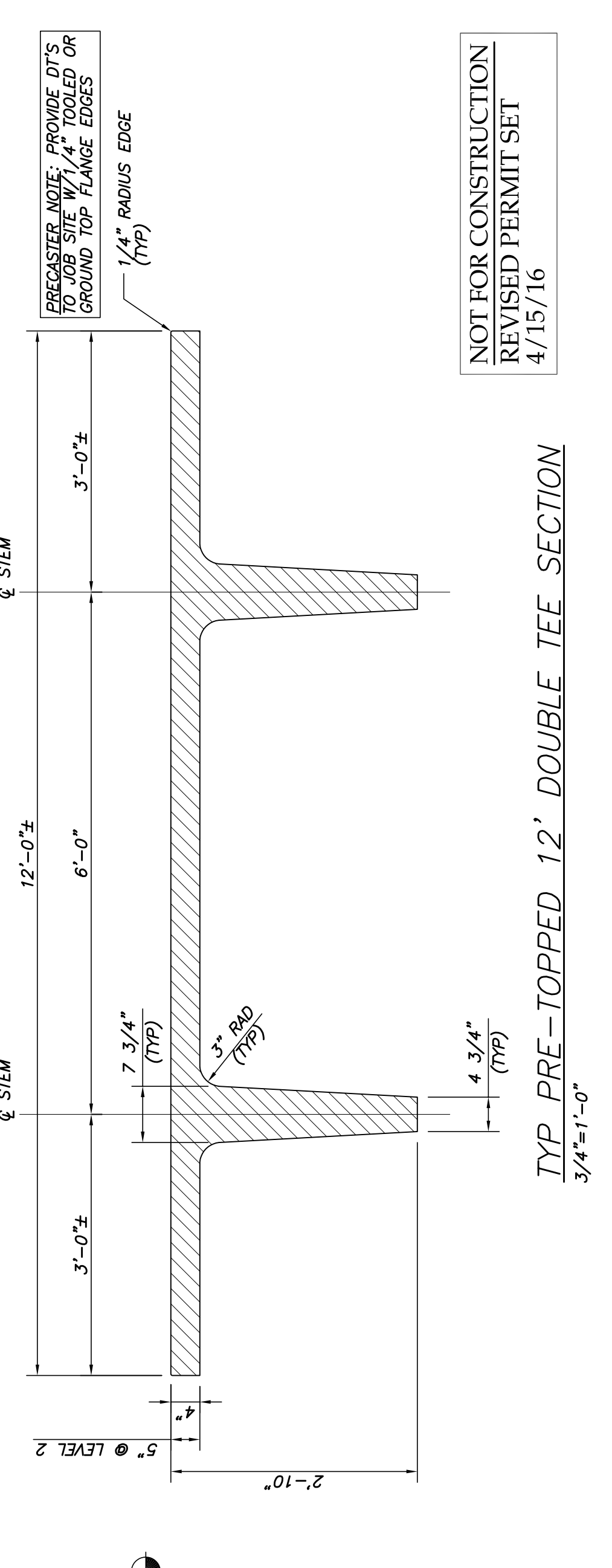
TYP DI/NLBS DETAIL  
 3/4"=1'-0"



TYP DI/LBS DETAIL AT COLUMN  
 3/4"=1'-0"

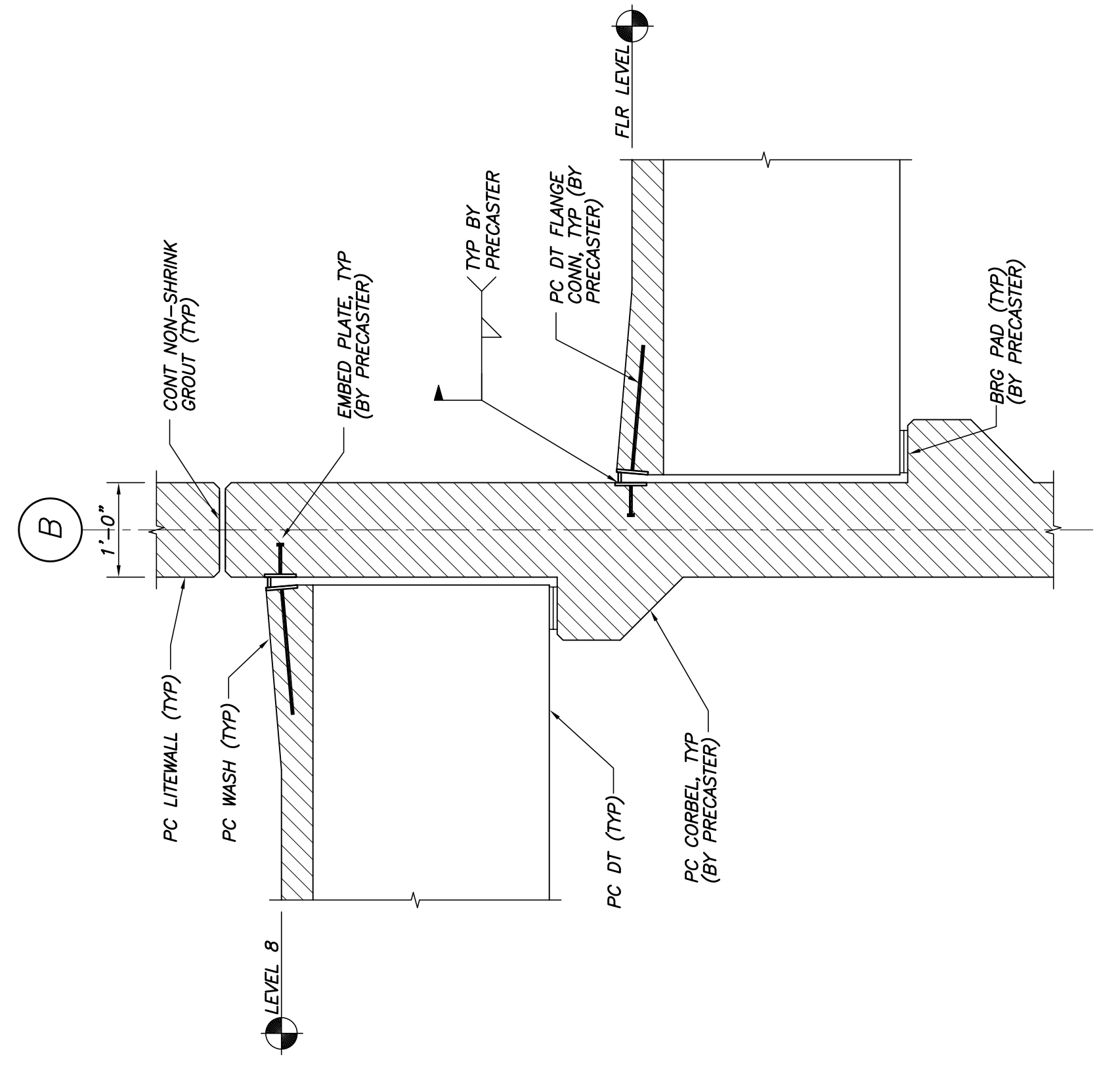


TYP DI/SHEARWALL DETAIL  
 3/4"=1'-0"

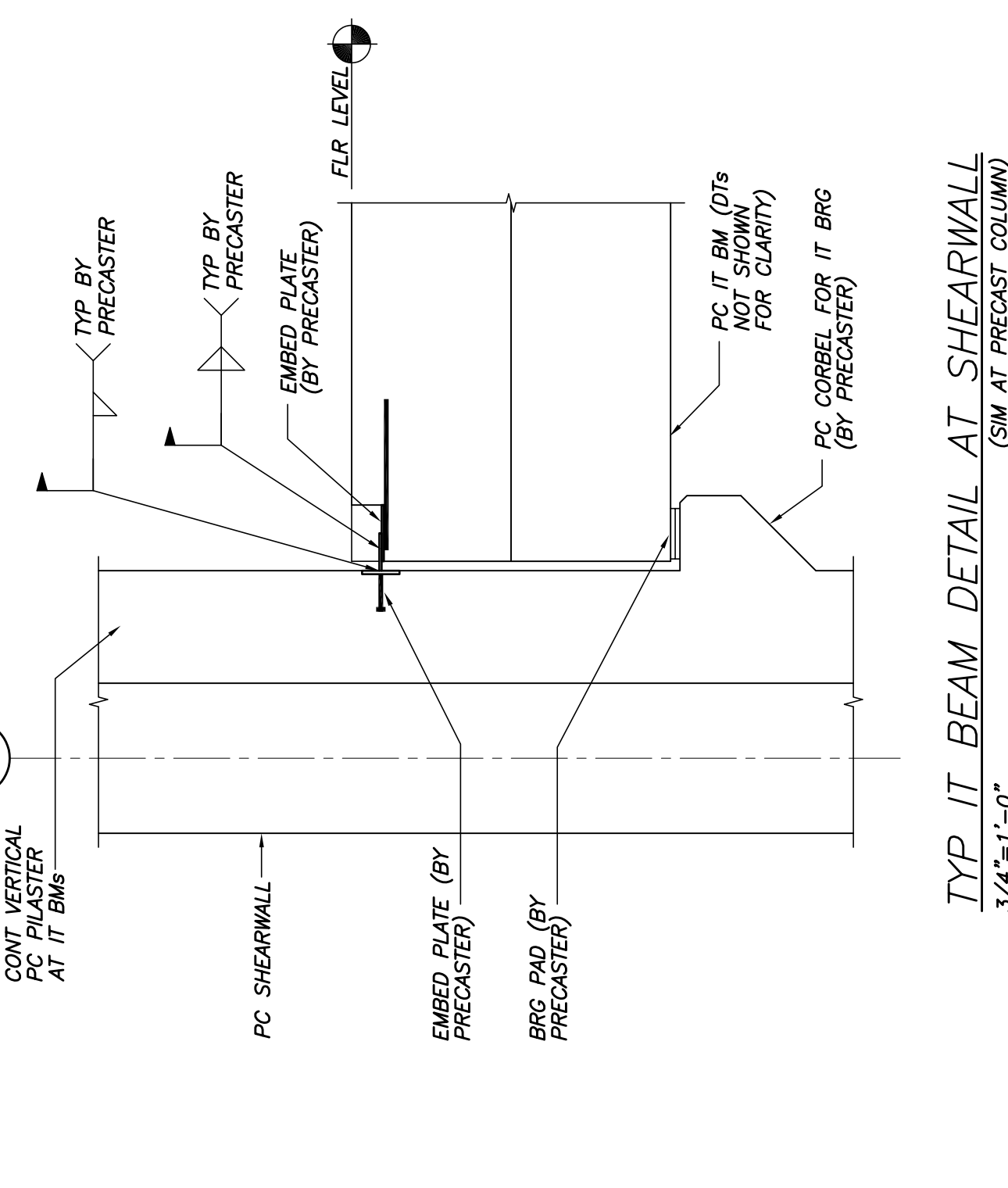


NOT FOR CONSTRUCTION  
 REVISED PERMIT SET  
 4/15/16

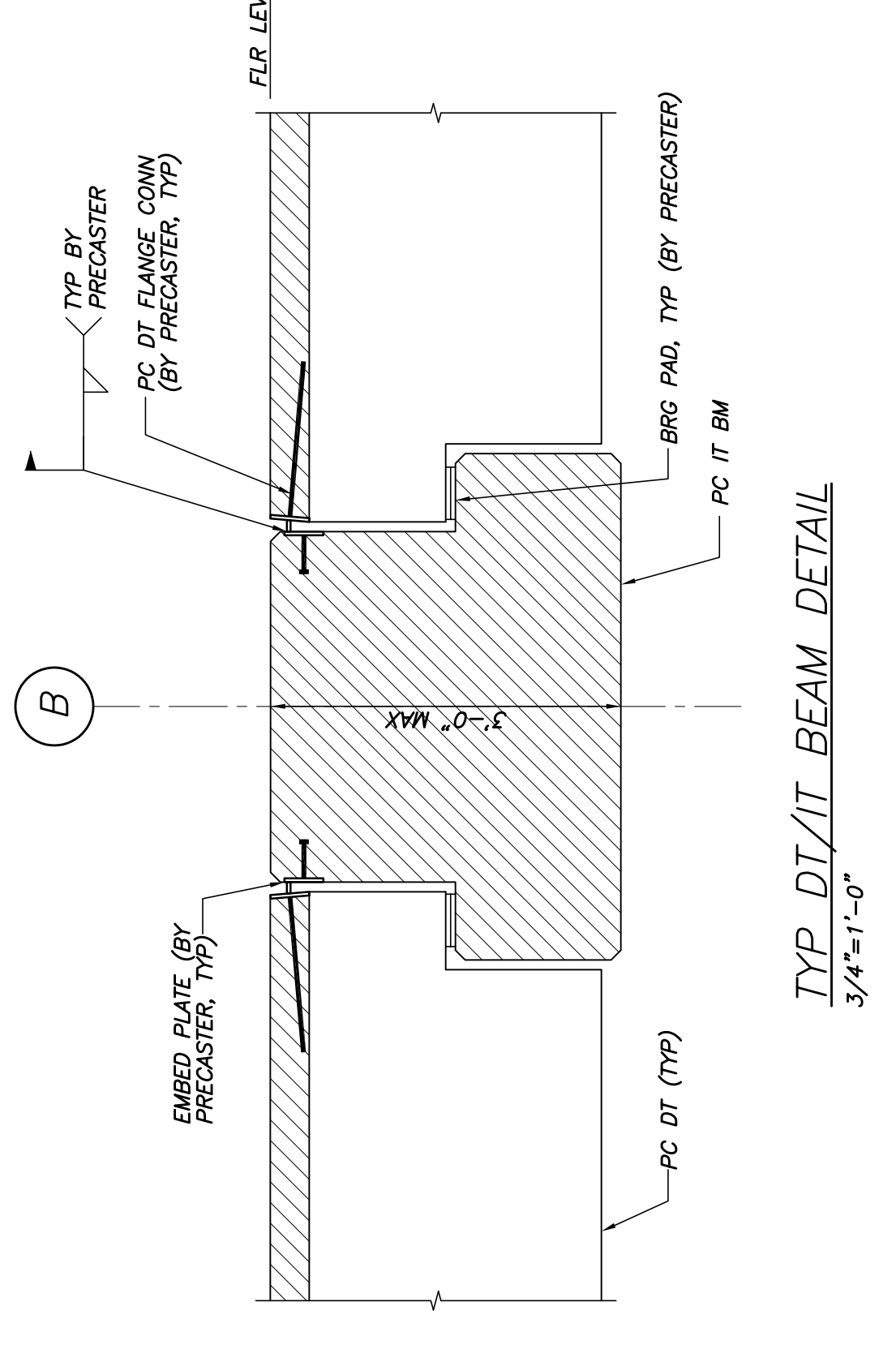
TYP PRE-TOPPED 12' DOUBLE TEE SECTION  
 3/4"=1'-0"



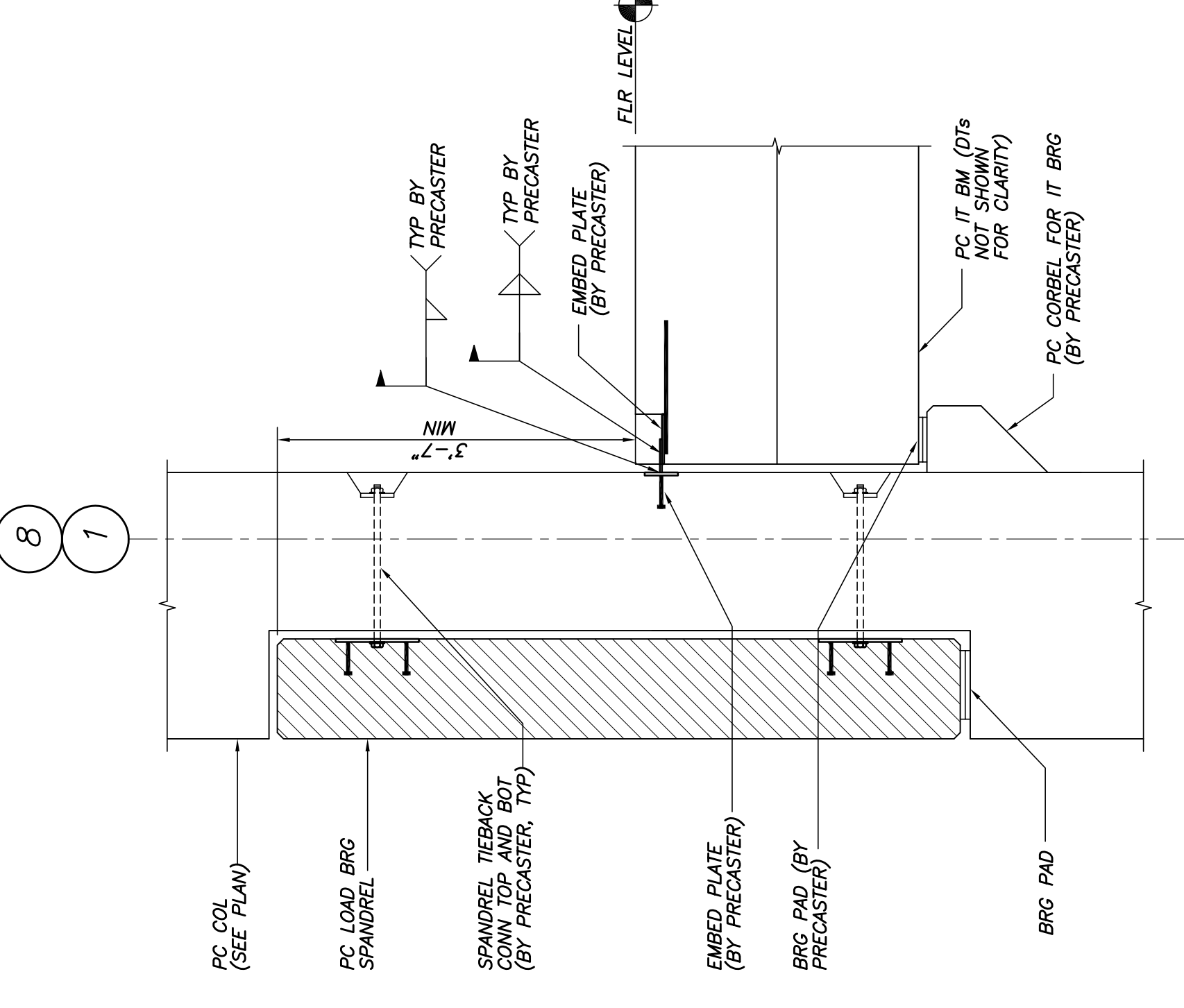
TYP DI/LITELWALL DETAIL  
 3/4"=1'-0"



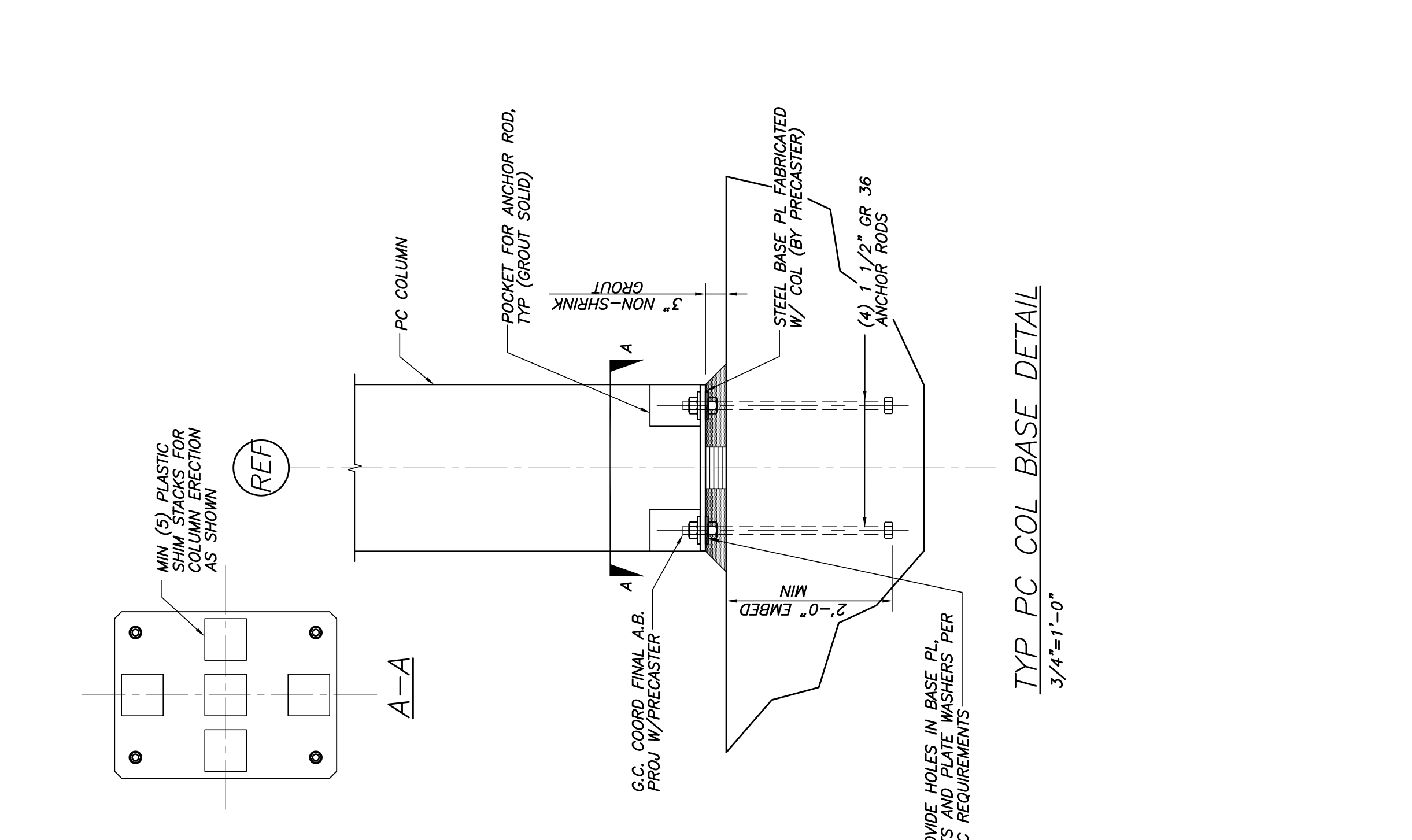
TYP IT BEAM DETAIL AT SHEARWALL  
 (SIM AT PRECAST COLUMN)  
 3/4"=1'-0"



TYP DI/IT BEAM DETAIL  
 3/4"=1'-0"



TYP NLBS/IT BEAM DETAIL AT COLUMN  
 3/4"=1'-0"



TYP PC COL BASE DETAIL  
 3/4"=1'-0"