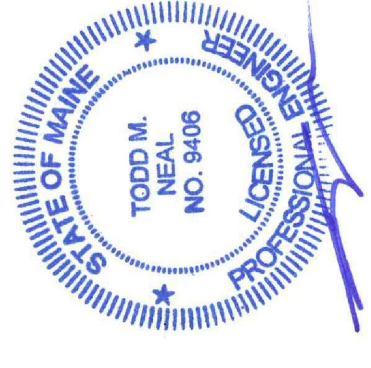


**THA ARCHITECTS, LLC**  
 ARCHITECTURE DESIGN PLANNING INTERIOR DESIGN  
 105 WILLOW BROOK AVENUE  
 STRATHAM, NEW HAMPSHIRE 03885  
 Tel: (603) 770-2491 Fax: (603) 773-0238  
 WWW.THARCH.COM

These drawings and specifications were prepared for use at the location indicated. Publication and reuse of these drawings and specifications in whole or in part is prohibited without the written permission of THA Architects, LLC.  
 © 2015 THA Architects, LLC.



midtown Portland

Somerset Street  
 Elm Street  
 Portland, ME

Building 2  
 SECTIONS & DETAILS

Structural Engineer  
**BECKER**  
 STRUCTURAL ENGINEERS  
 75 York Street, Portland, Maine 04101  
 207.879.1838 • beckerstructural.com

MEP Engineer  
 McCabe & Associates  
 FP Engineer  
 McCabe & Associates

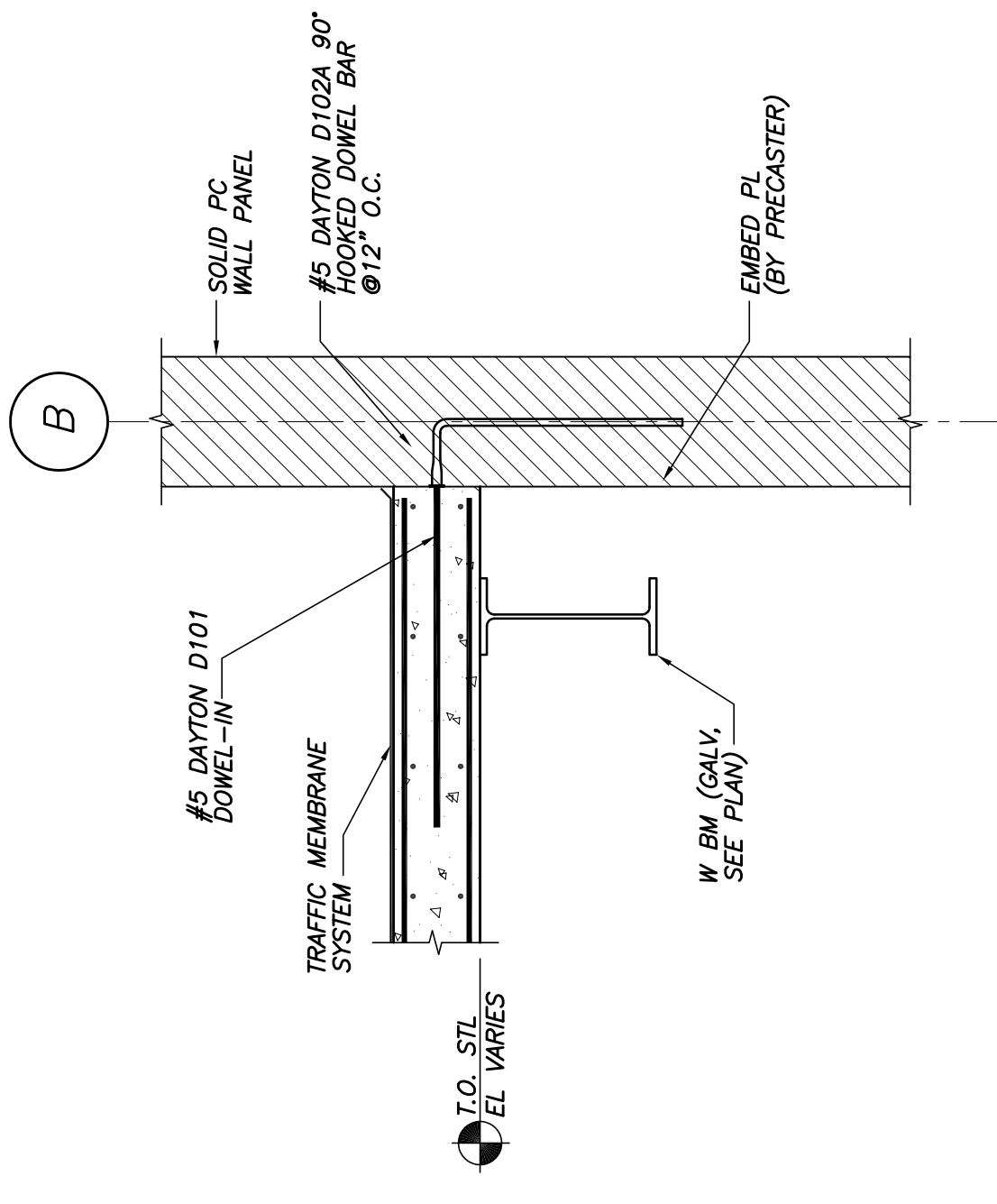
SCALE: AS NOTED  
 ISSUED / DRAWN BY

REVISIONS / REVISED BY  
 APRIL 15, 2016

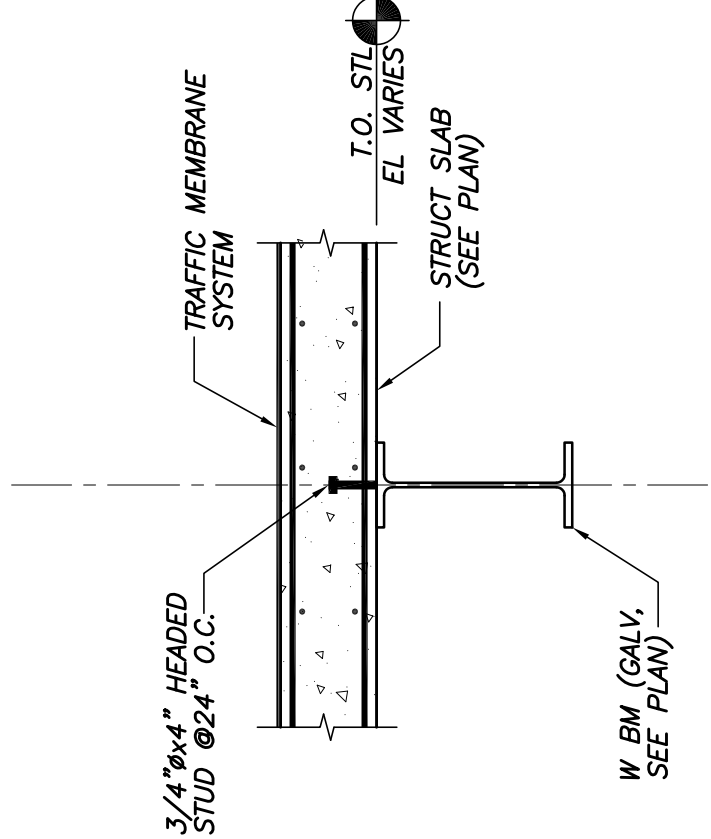
JOB NO: 15001

SHEET NUMBER

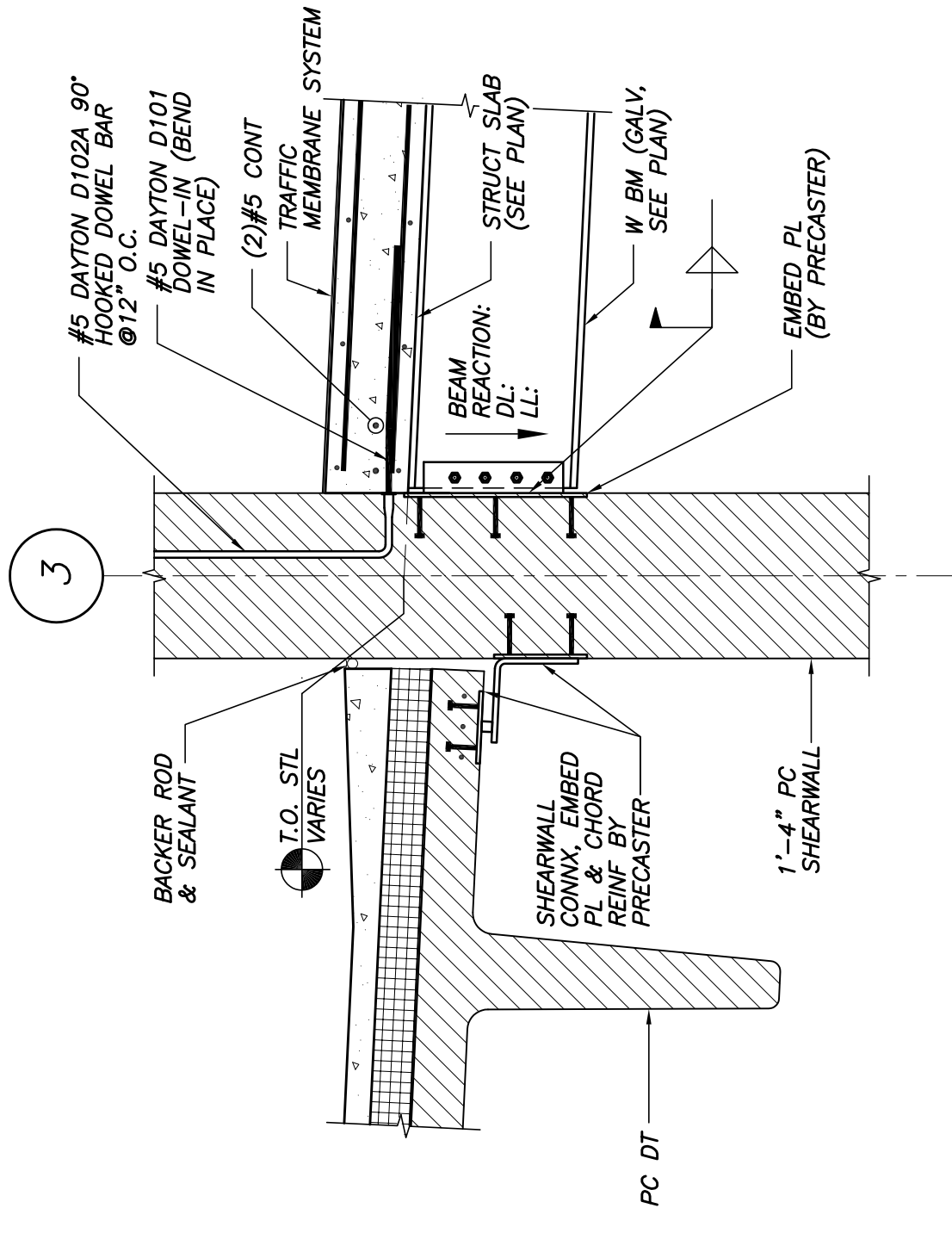
**S-4.0**



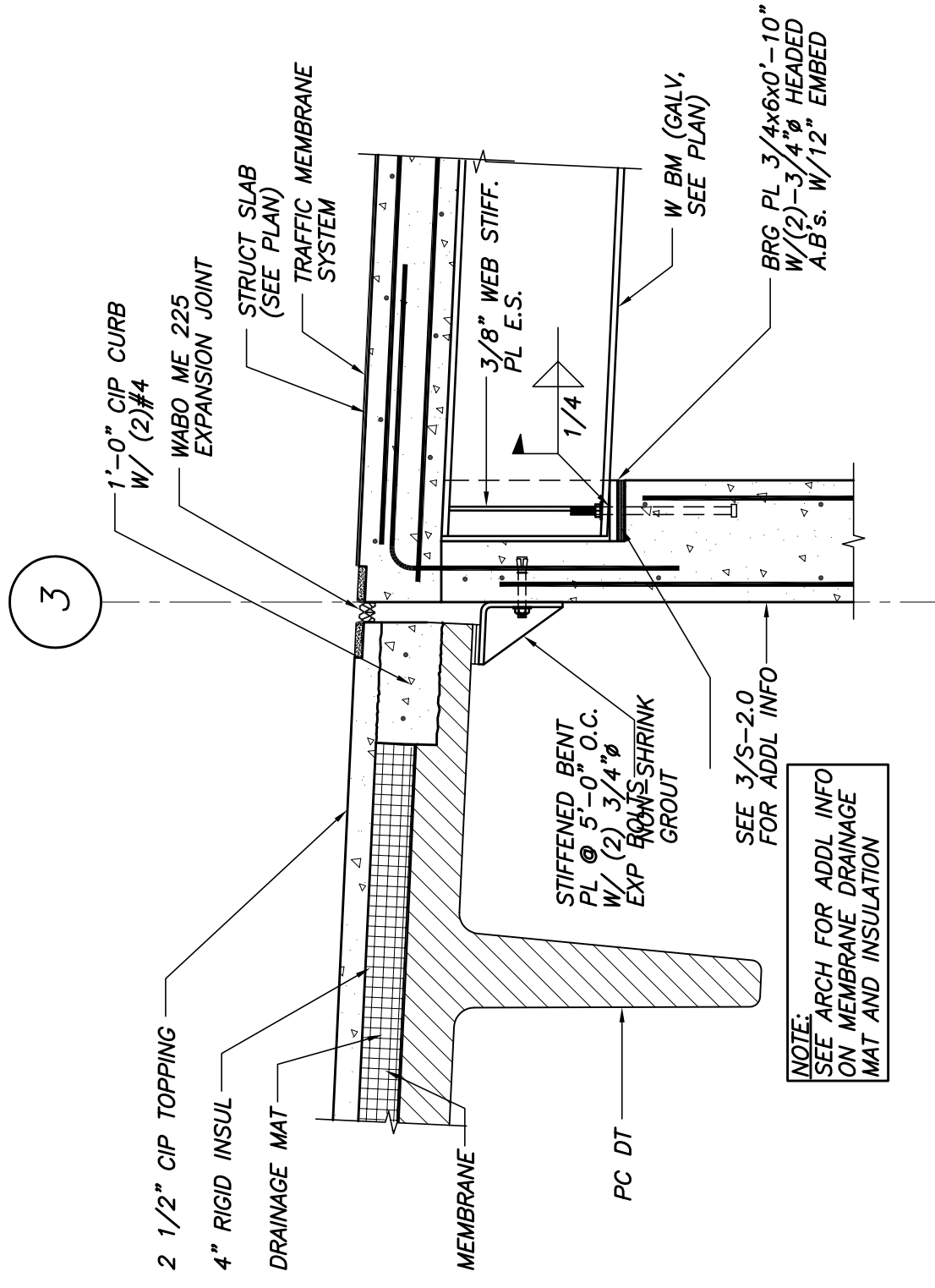
SECTION 1  
 3/4"=1'-0"



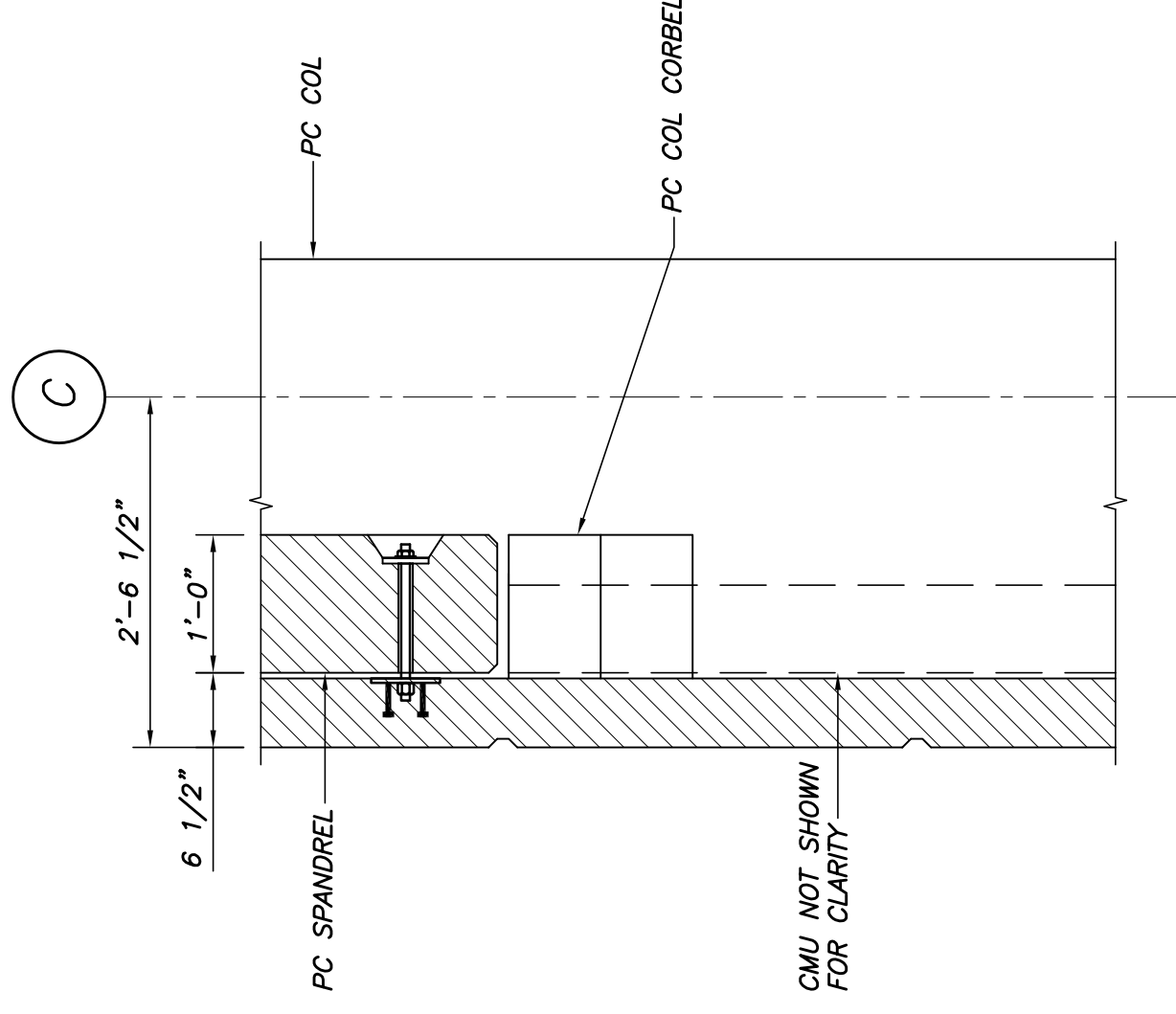
SECTION 2  
 3/4"=1'-0"



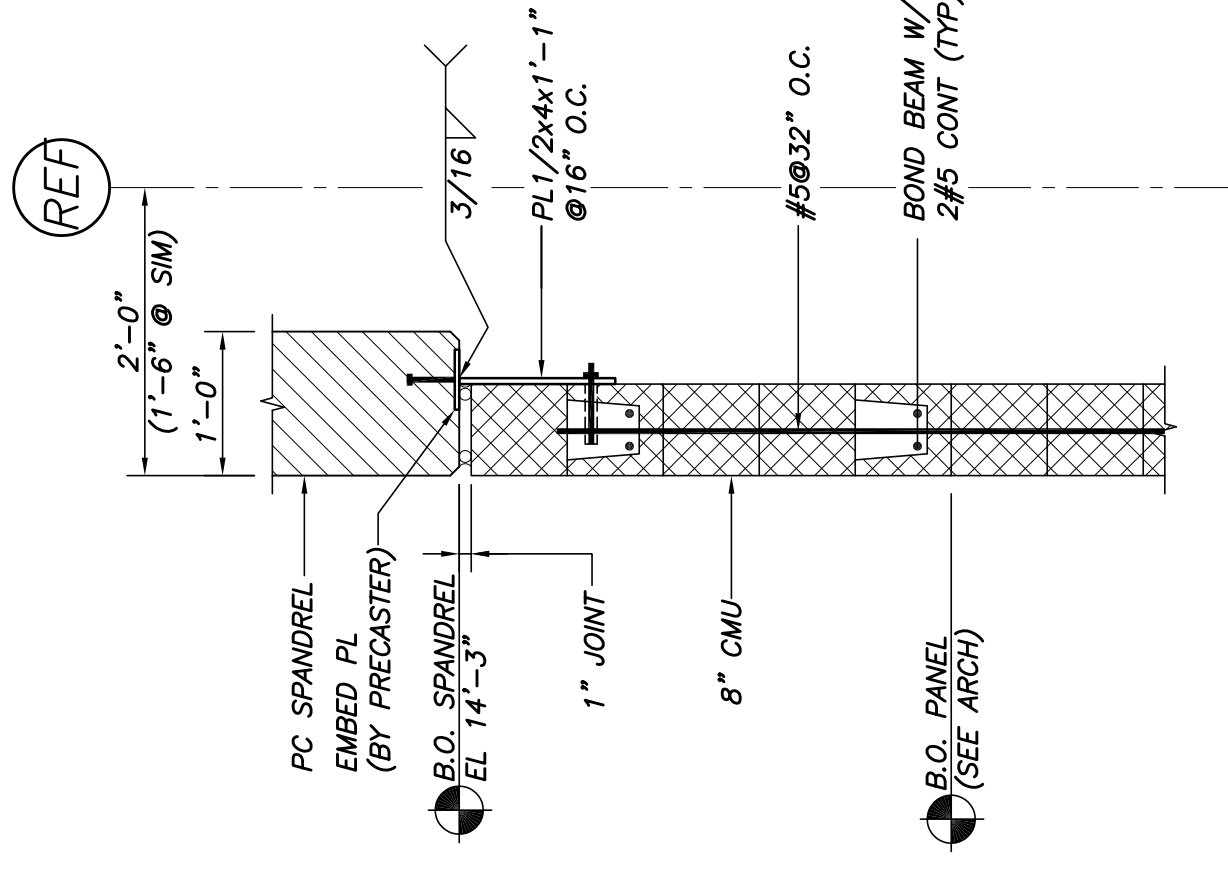
SECTION 3  
 3/4"=1'-0"



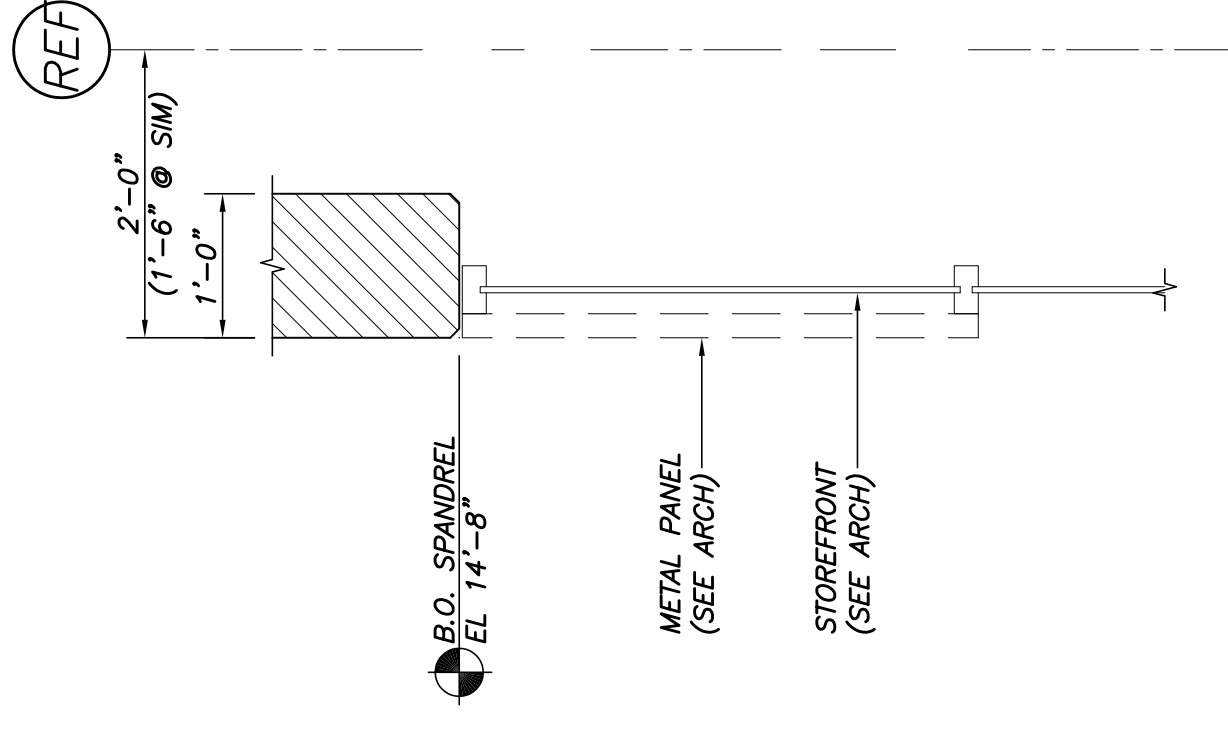
SECTION 4  
 3/4"=1'-0"



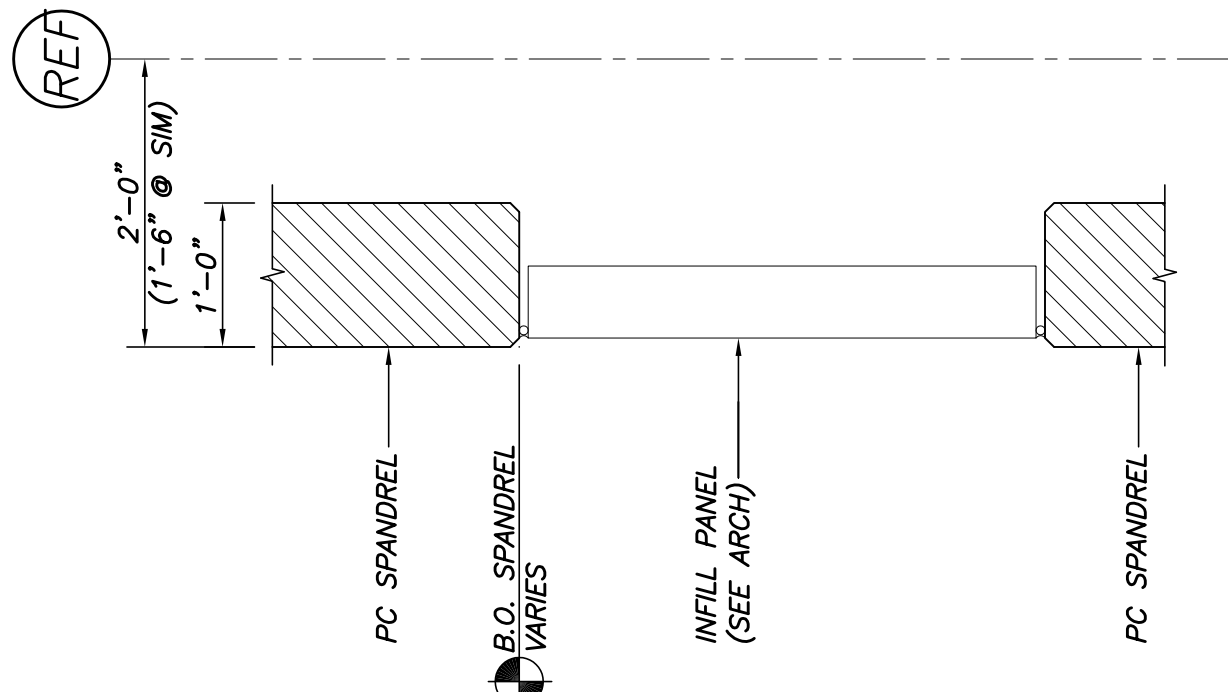
SECTION 5  
 3/4"=1'-0"



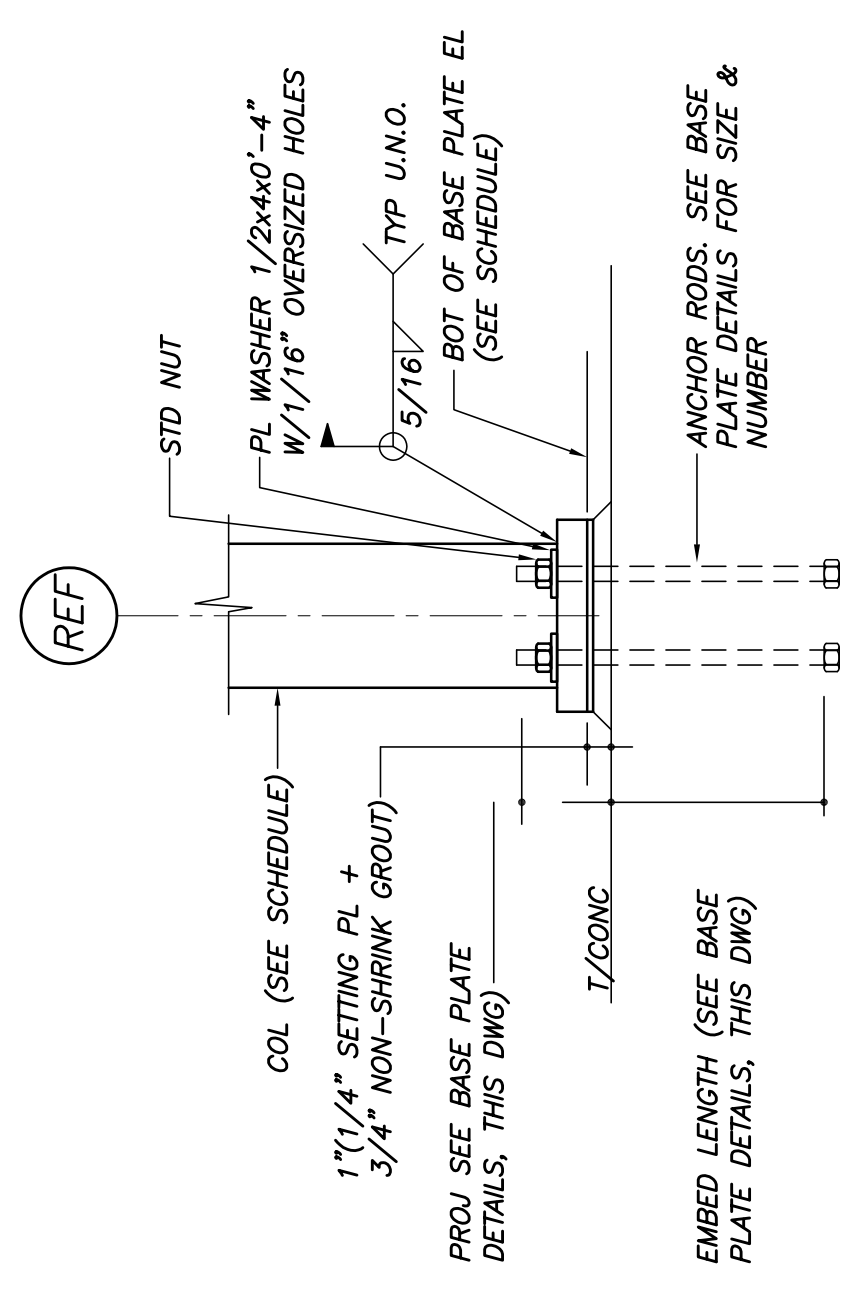
SECTION 6  
 3/4"=1'-0"



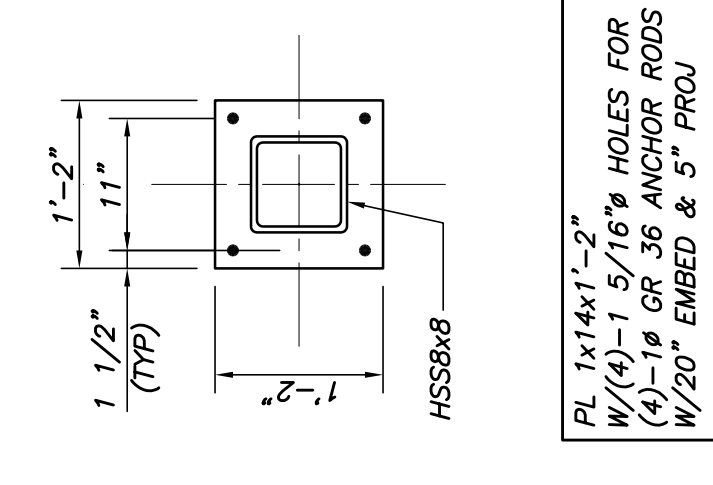
SECTION 7  
 3/4"=1'-0"



SECTION 8  
 3/4"=1'-0"



SECTION 9  
 3/4"=1'-0"



SECTION 10  
 3/4"=1'-0"

NOT FOR CONSTRUCTION  
 REVISED PERMIT SET  
 4/15/16

BP-1  
 BASE PLATE DETAILS  
 3/4"=1'-0"

TYP. COL. BASE DETAIL U.N.O.  
 N.T.S.