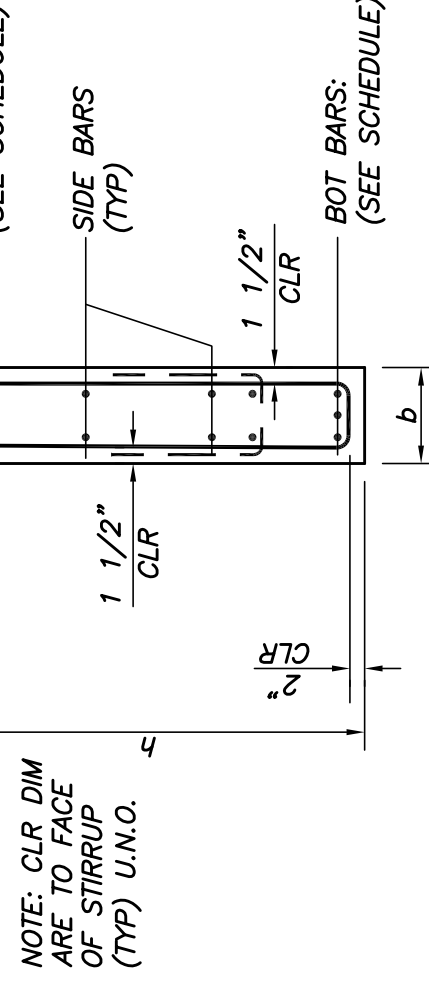
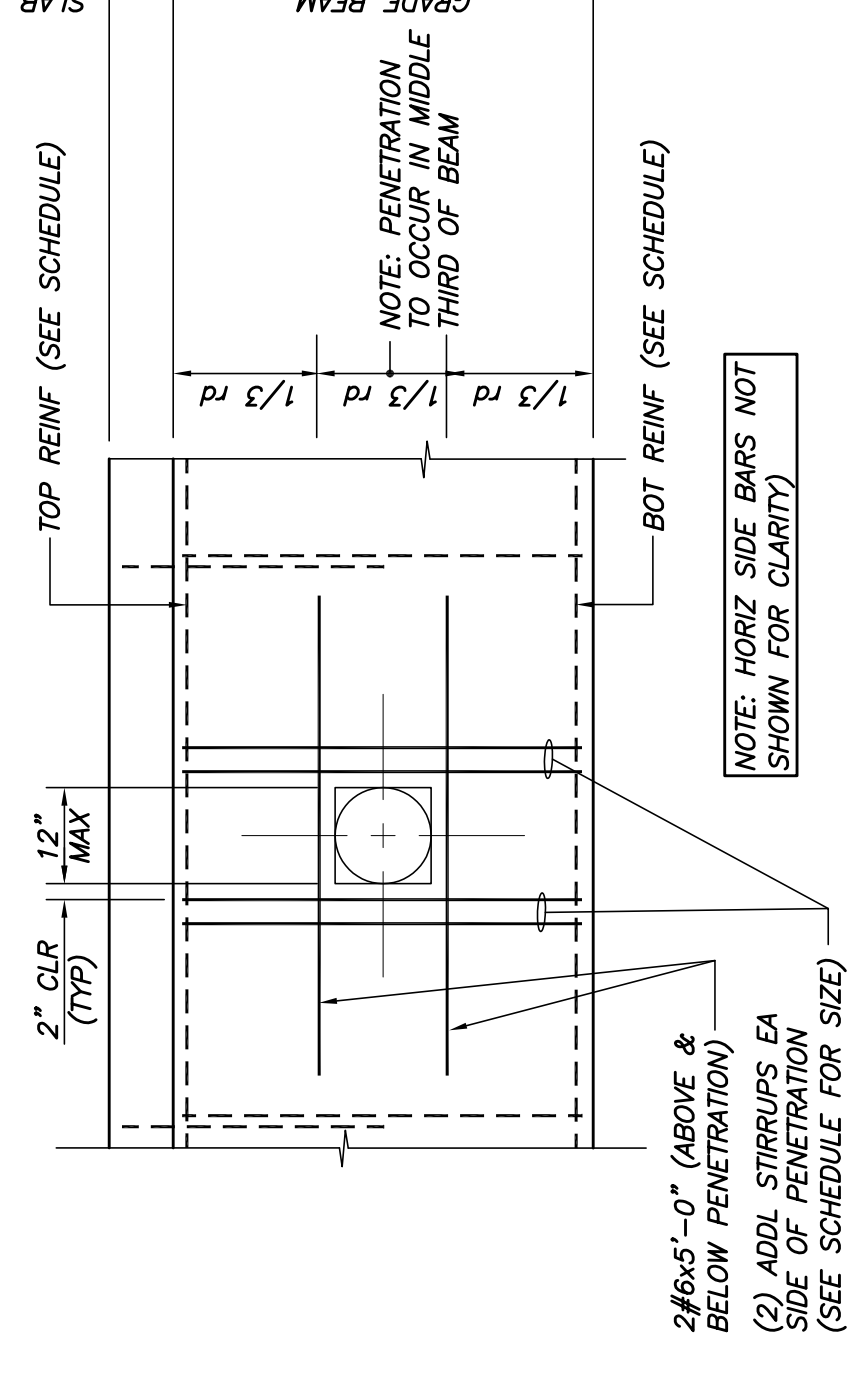


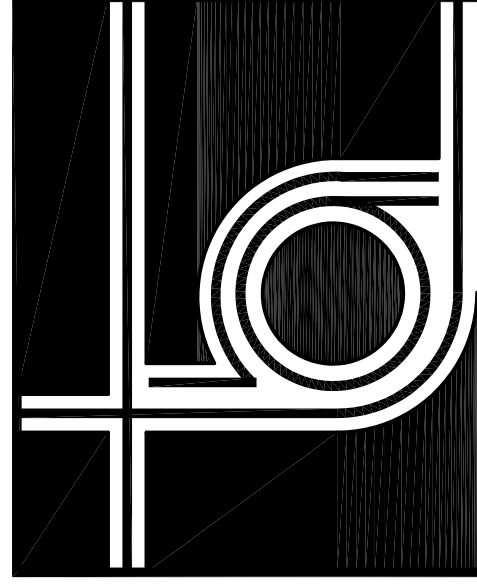
GRADE BEAM SCHEDULE (LAP LENGTH)							
MARK	SIZE		TOP BARS (LAP LENGTH)	BOT BARS (LAP LENGTH)	STIRRUPS/VERT BARS	HORIZ SIDE BARS (E.F.) (LAP LENGTH)	REMARKS
	b	h					
GB-1	2'-0"	4'-0"	7#9 (80")	7#9 (93")	#409" O.C.	3/4 (24")	-
GB-2	2'-4"	4'-0"	22#9 (80")	22#9 (93")	#407" O.C. (4 LEGS)	3/4 (24")	TOP + BOT BARS TO HAVE (2) ROWS
GB-3	2'-0"	4'-0"	7#9 (80")	7#9 (93")	#4012" O.C.	3/4 (24")	-
GB-4	1'-6"	4'-0"	7#9 (80")	7#9 (93")	#408" O.C.	3/4 (24")	-
GB-5	6'-4"	4'-0"	10#9 (80")	10#9 (93")	#4012" O.C.	3/4 (24")	-
GB-6	4'-4"	4'-0"	4#9 (80")	22#9 (80")	#408" O.C.	3/4 (24")	BOT BARS TO HAVE (2) ROWS



TYP GRADE BEAM DETAIL
N.T.S.

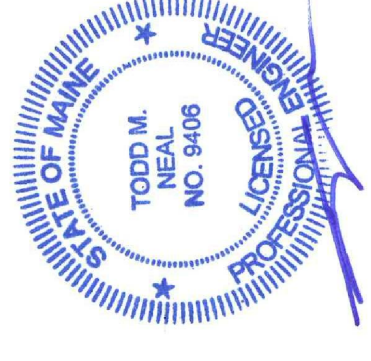


TYP GRADE BEAM PENETRATION
N.T.S.



THA ARCHITECTS, LLC
 ARCHITECTURE DESIGN PLANNING INTERIOR DESIGN
 105 WILLOW BROOK AVENUE
 STRATHAM, NEW HAMPSHIRE 03885
 Tel: (603) 770-2491 Fax: (603) 773-0238
 WWW.THARCH.COM

These drawings and specifications were prepared for use at the location indicated. Publication and reproduction in any form, by any means, electronic or mechanical, including photocopying, recording, or in any information storage and retrieval system, without the prior written permission of THA Architects, LLC.
 © 2015 THA Architects, LLC.



midtown Portland

Somerset Street
 Elm Street
 Portland, ME

Building 2
 GRADE BEAM
 SCHEDULE &
 DETAILS

Structural Engineer
BECKER
 STRUCTURAL ENGINEERS
 75 York Street, Portland, Maine 04101
 207.879.1838 • beckerstructural.com

MEP Engineer
 McCabe & Associates
 FP Engineer
 McCabe & Associates

SCALE: AS NOTED
 ISSUED / DRAWN BY _____
 © THA ARCHITECTS, LLC
 REVISED / REVISED BY _____
 APRIL 15, 2016

JOB NO: 15001

SHEET NUMBER
S-2.5

NOT FOR CONSTRUCTION
 REVISED PERMIT SET
 4/15/16