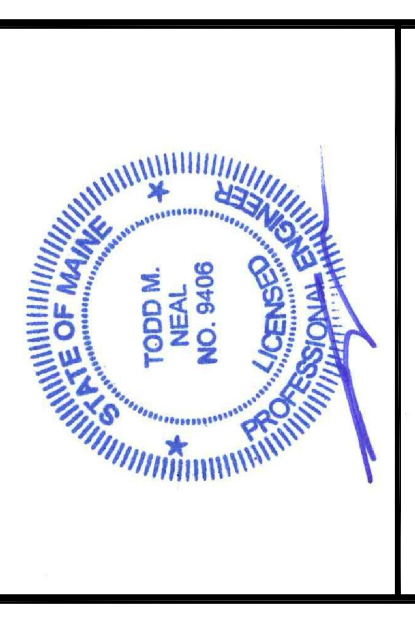


THA ARCHITECTS, LLC
 ARCHITECTURE DESIGN • PLANNING • INTERIOR DESIGN
 105 WILLOW BROOK AVENUE
 STRATHAM, NEW HAMPSHIRE 03885
 Tel: (603) 770-2491 Fax: (603) 773-0238
 WWW.THAFC.COM

These drawings and specifications were prepared for use at the location indicated. Publication and reuse of these drawings and specifications in whole or in part is prohibited without the written permission of THA Architects, LLC.
 © 2015 THA Architects, LLC.



midtown Portland

Somerset Street
 Elm Street
 Portland, ME

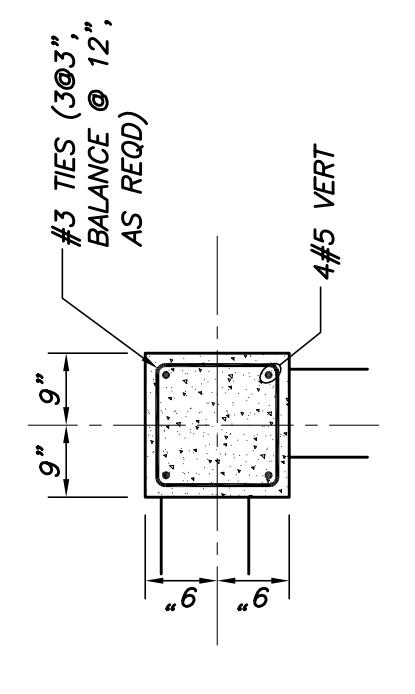
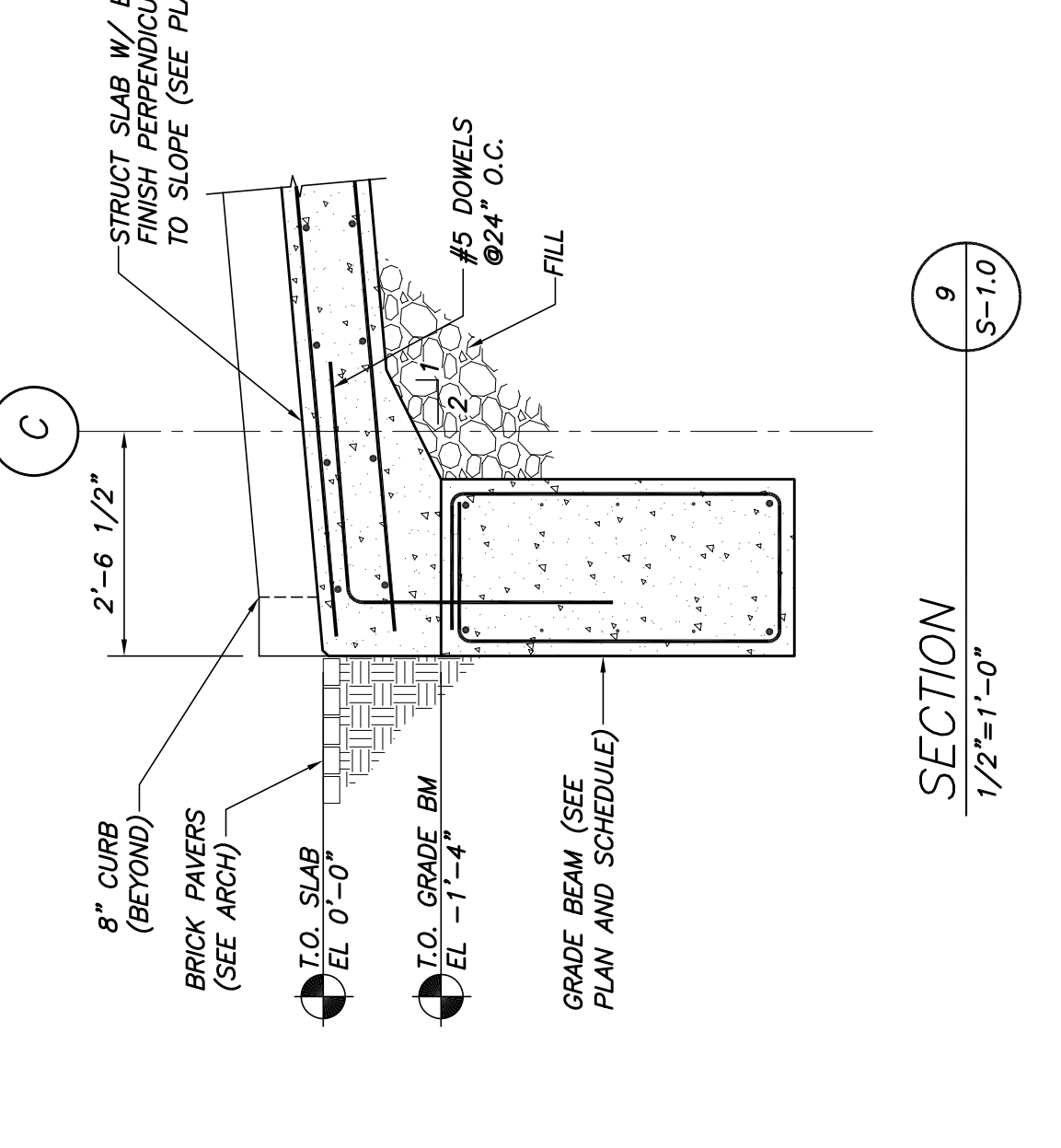
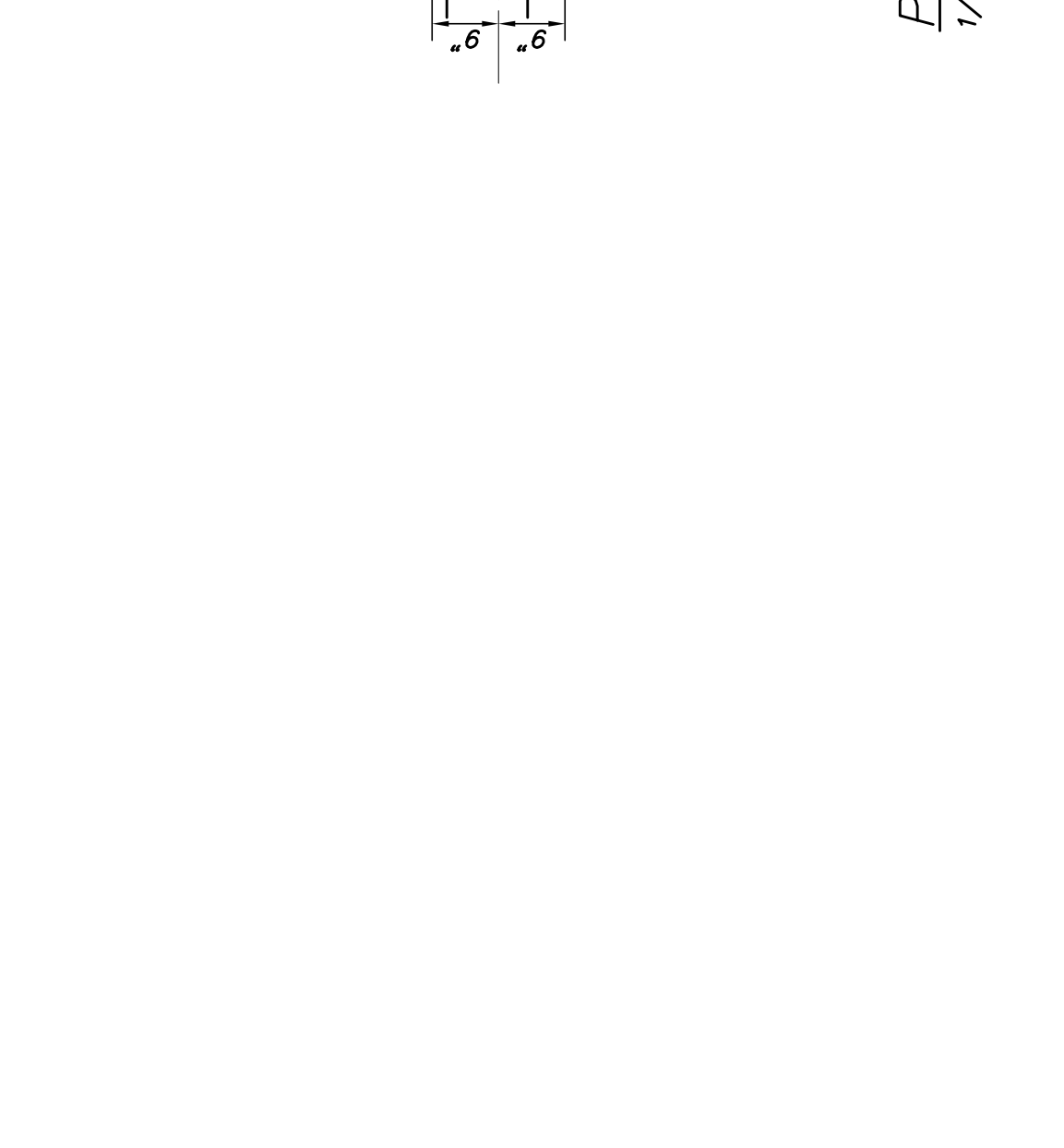
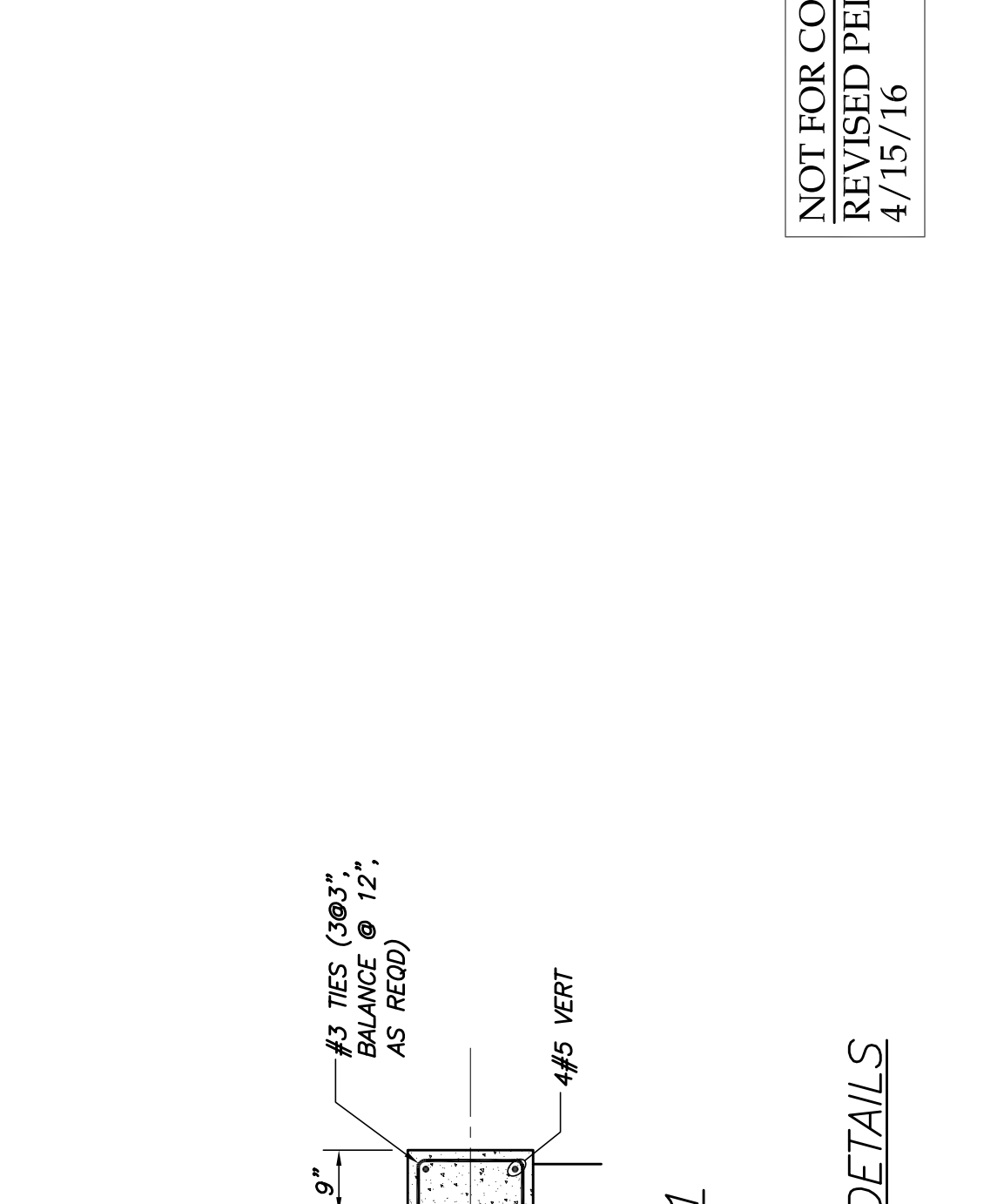
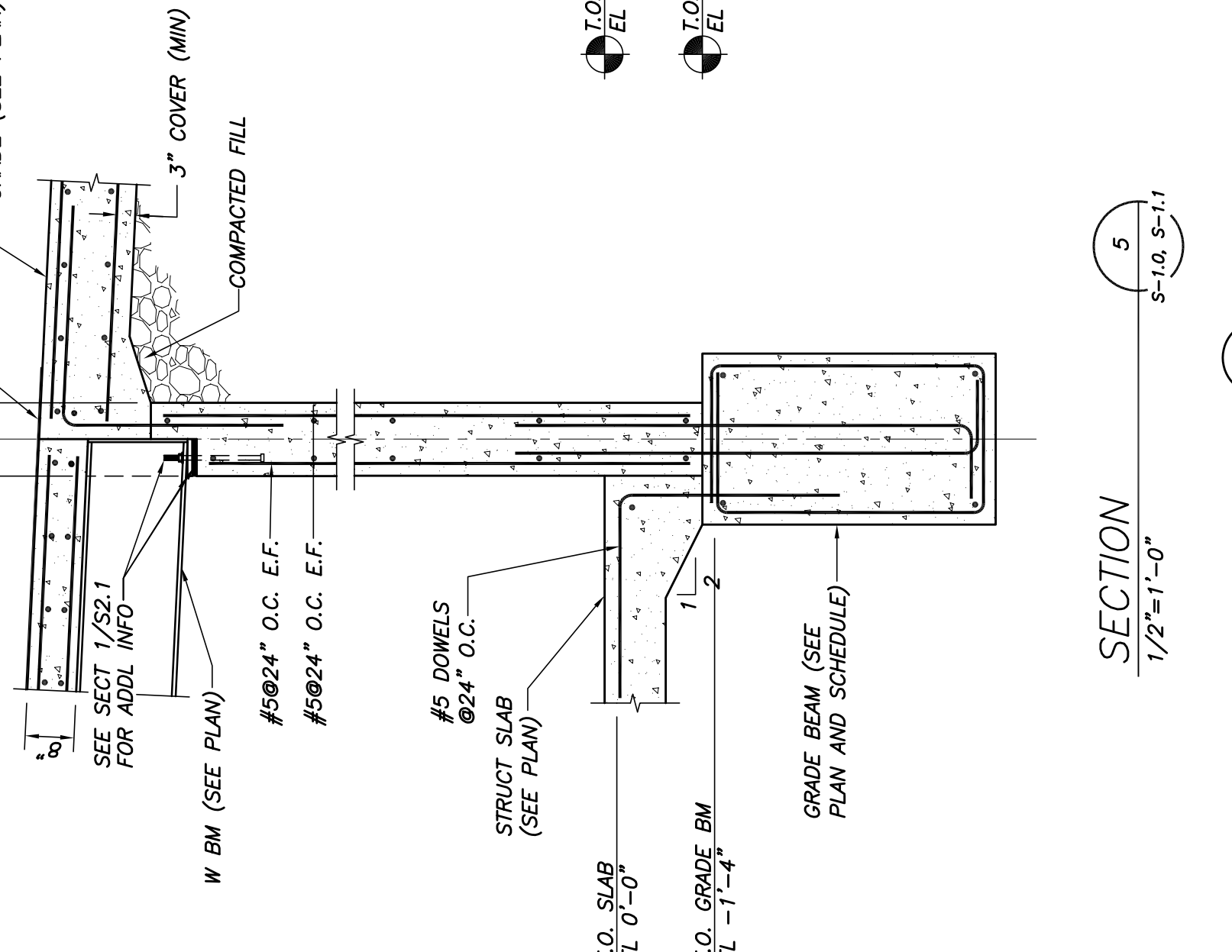
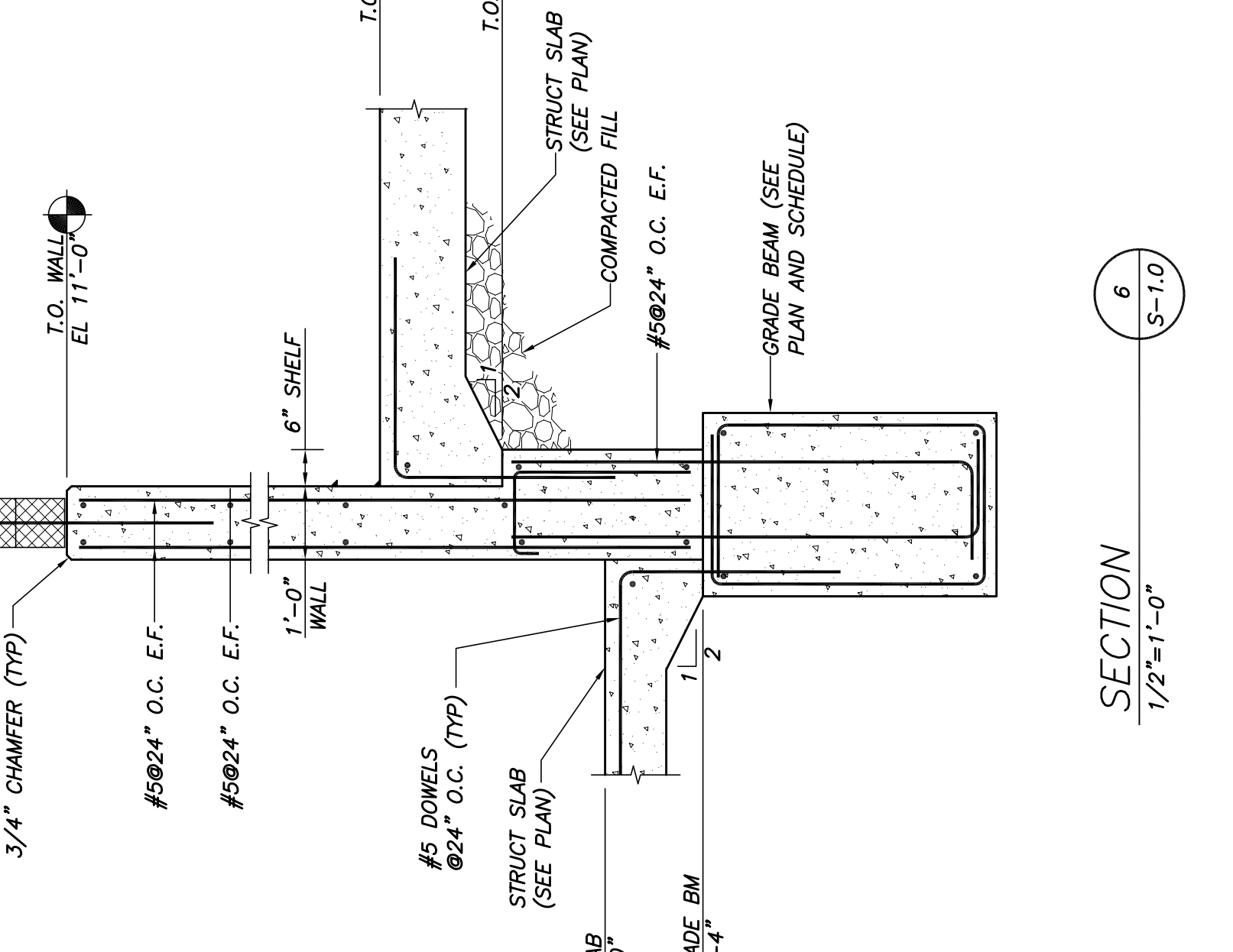
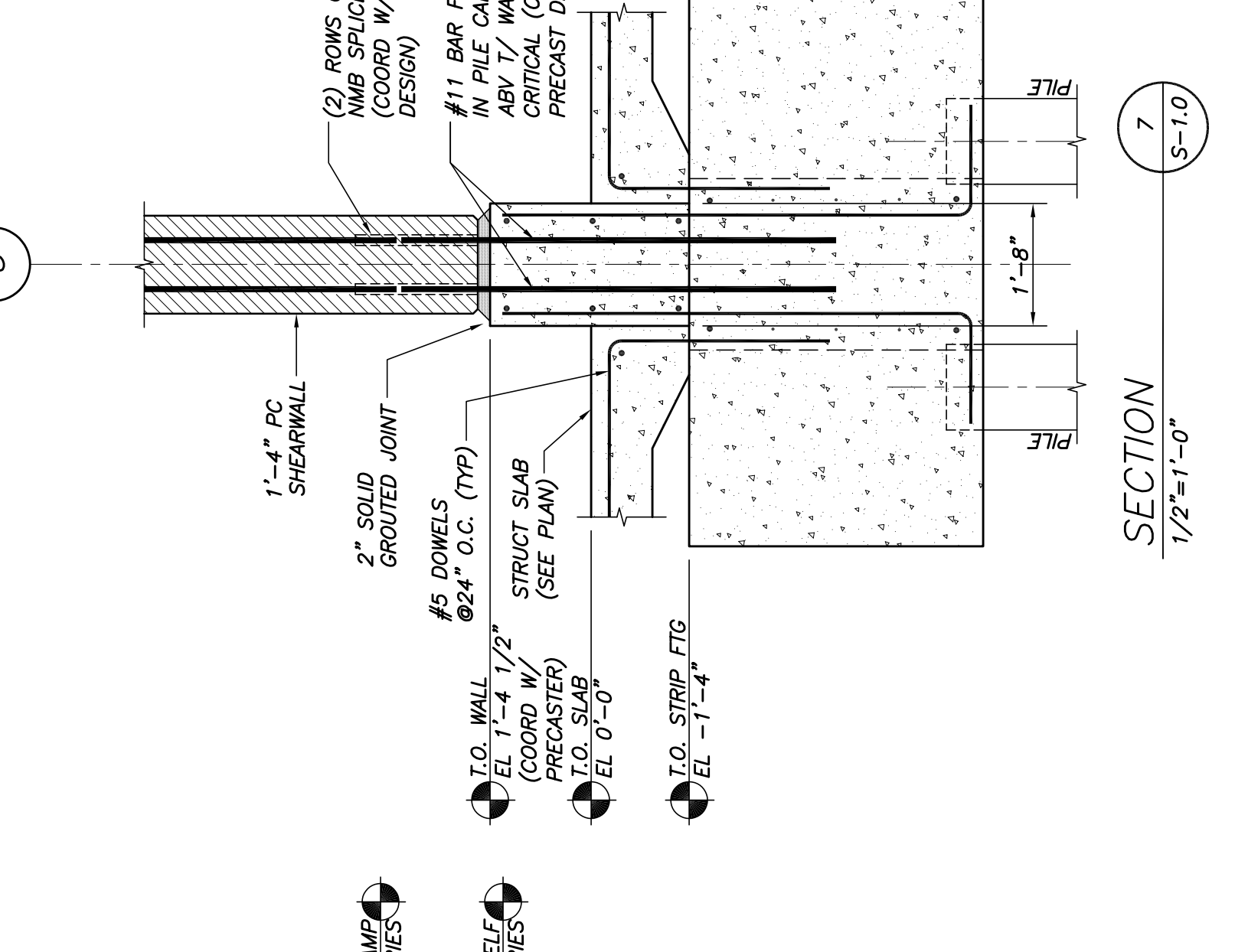
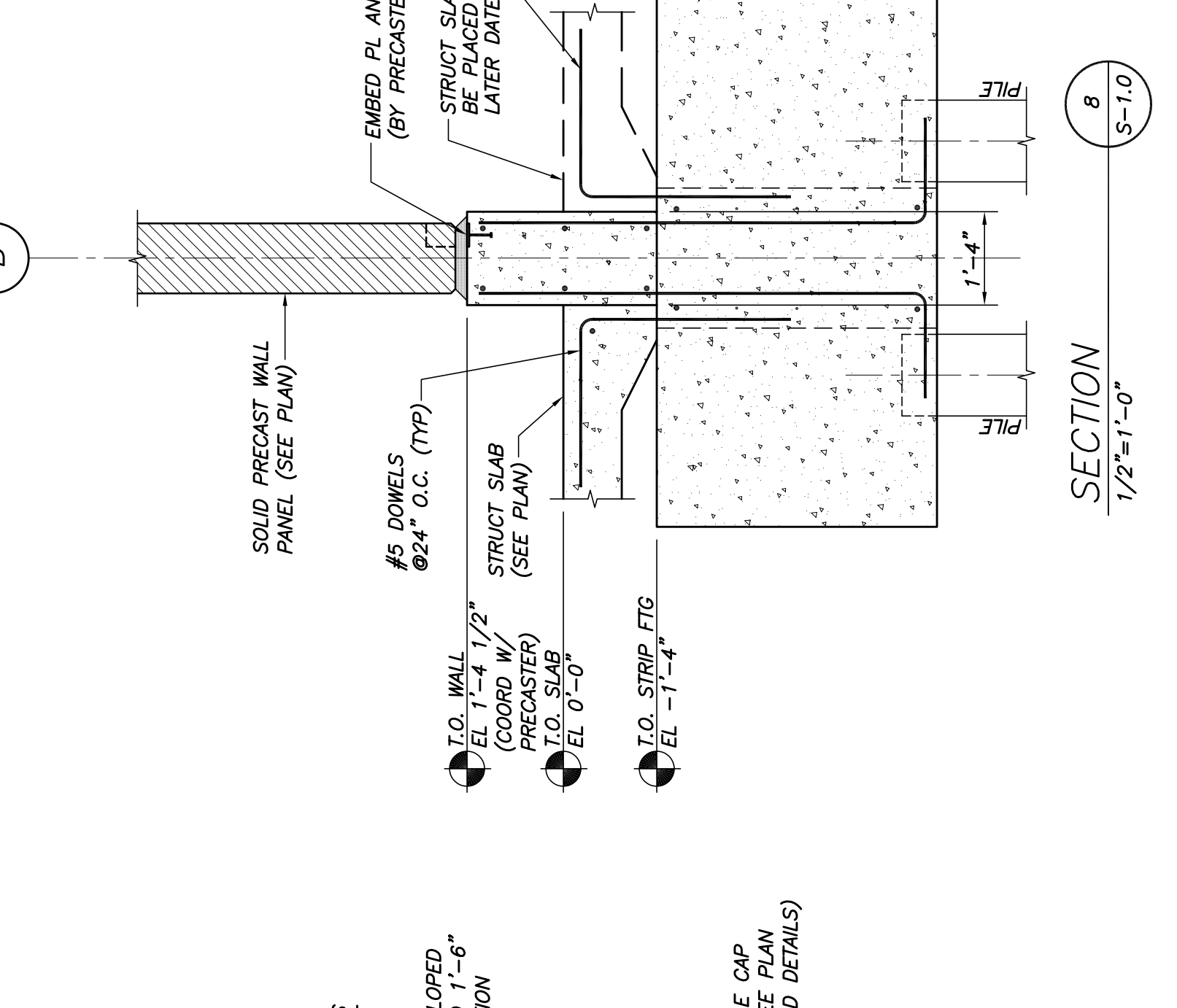
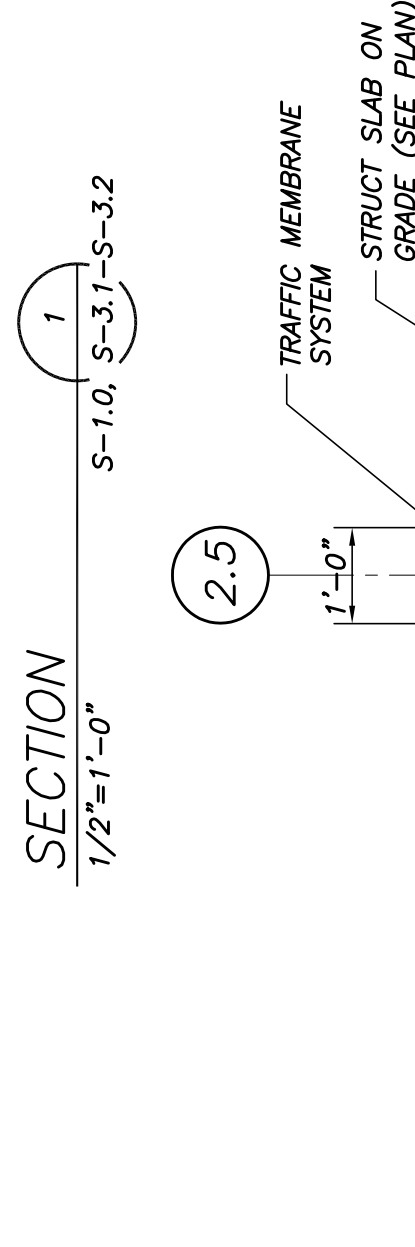
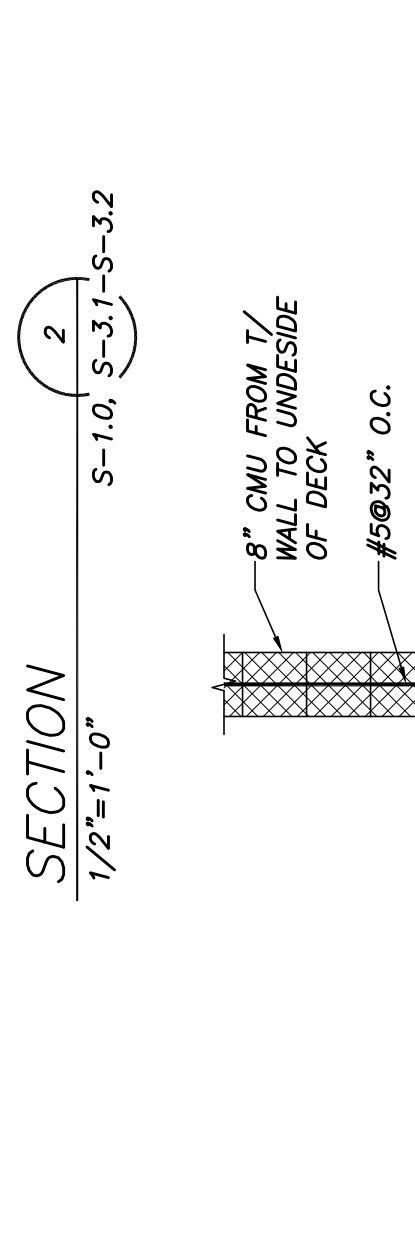
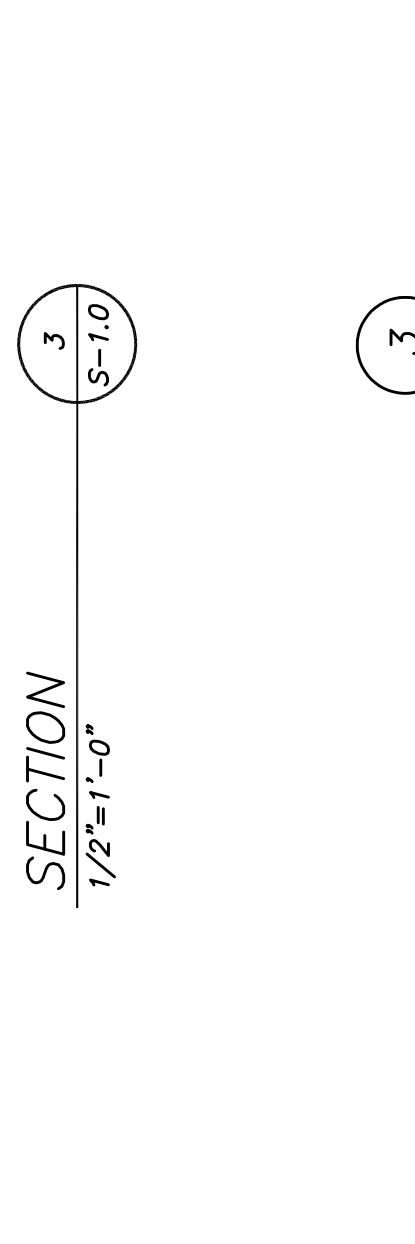
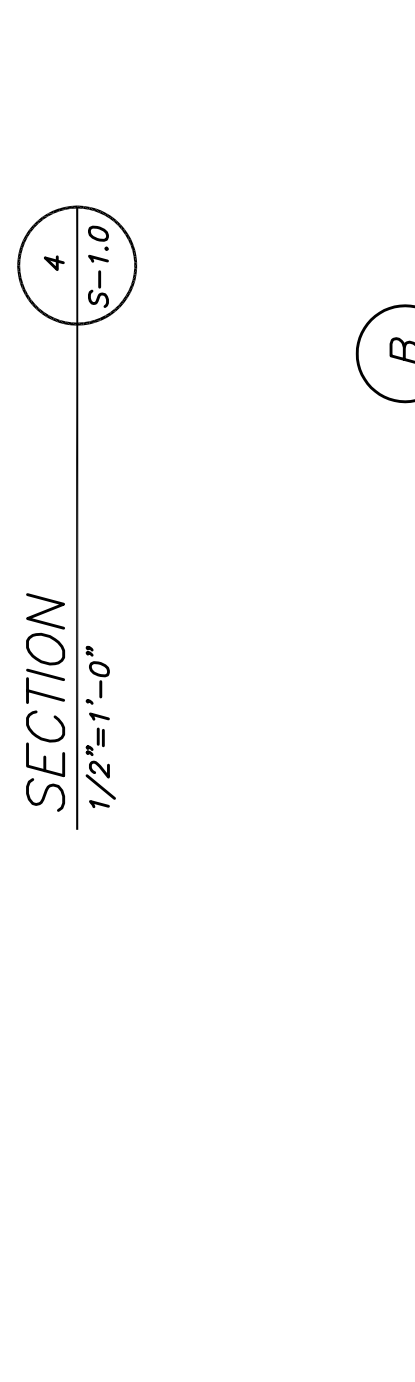
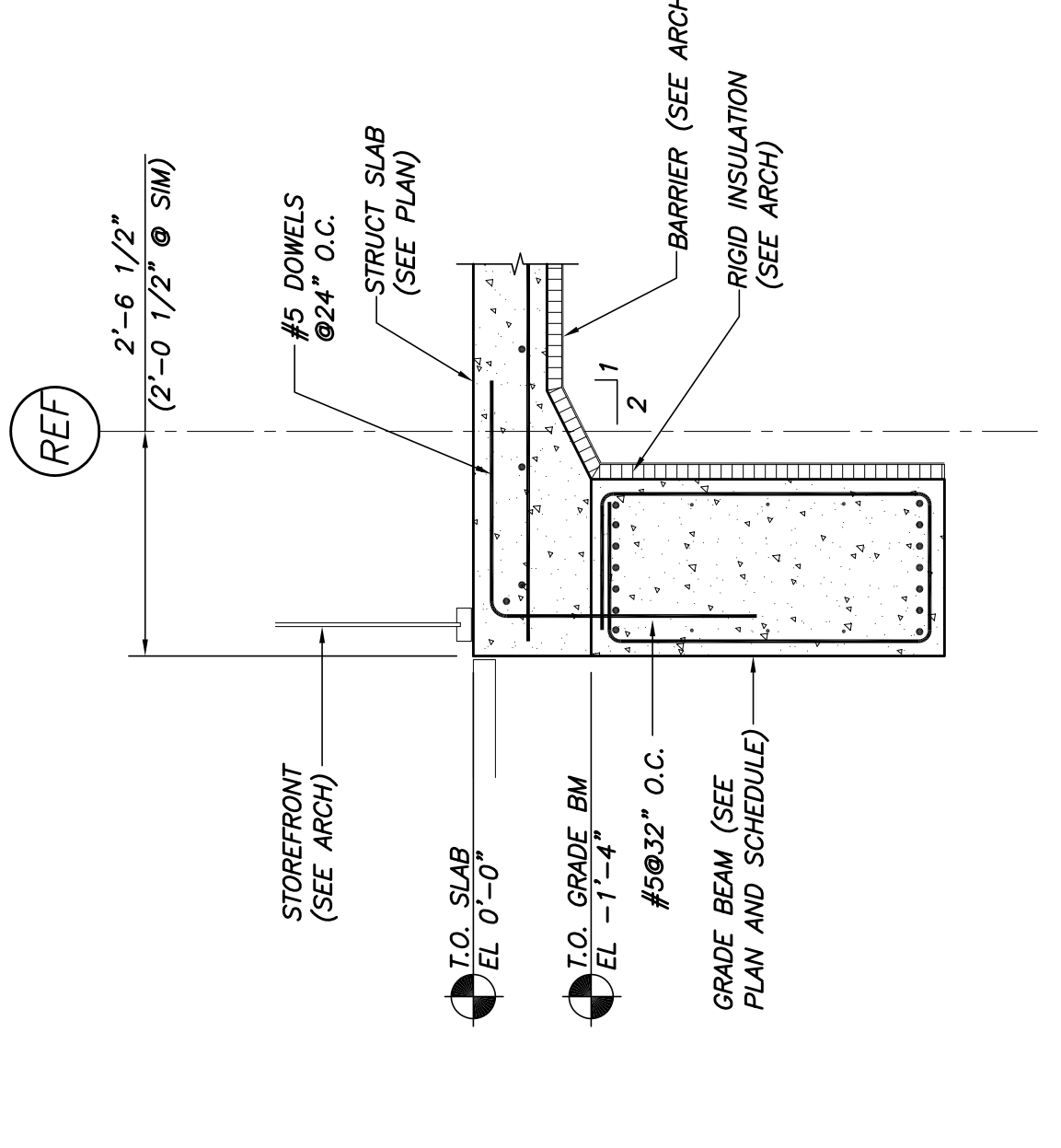
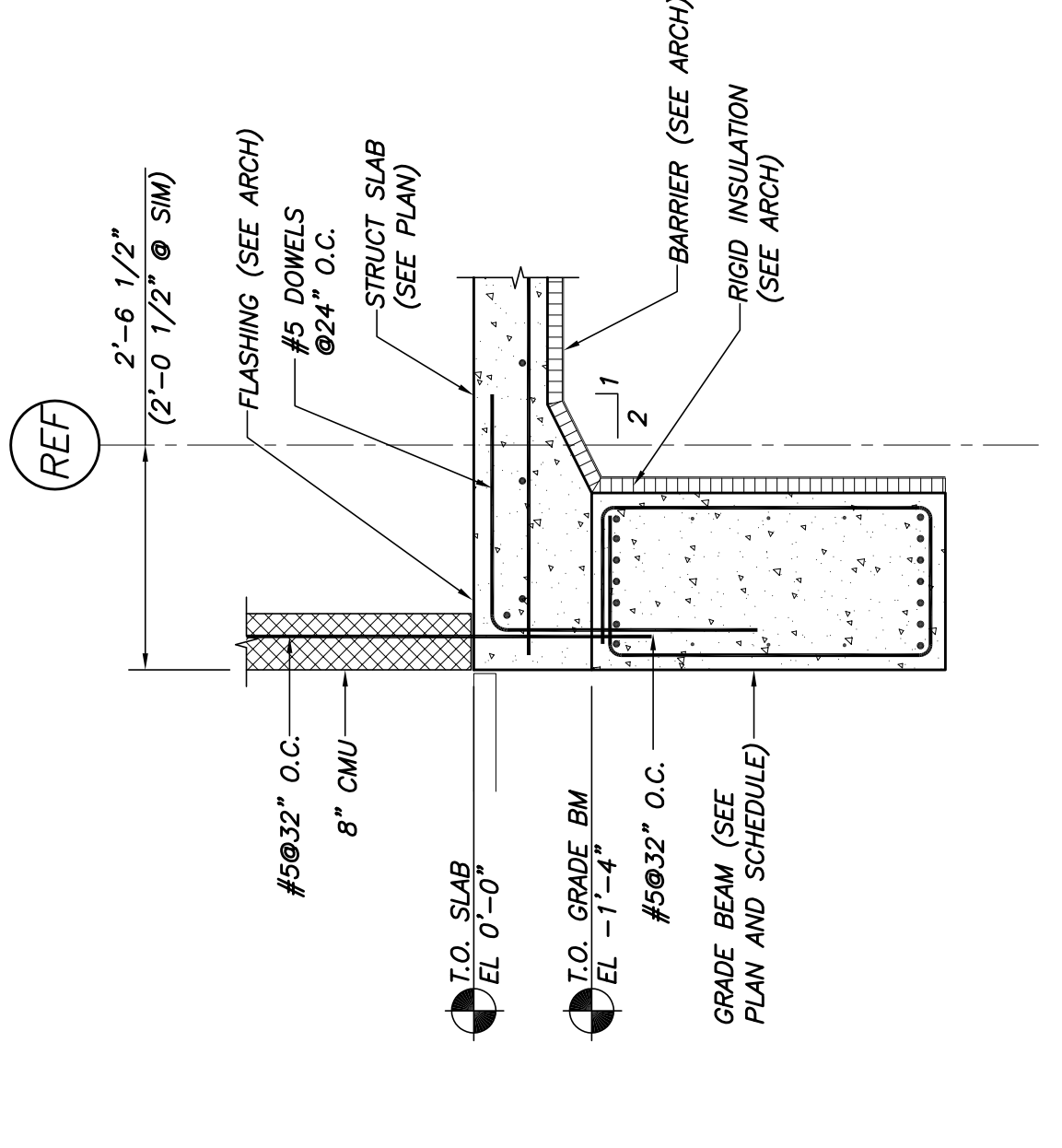
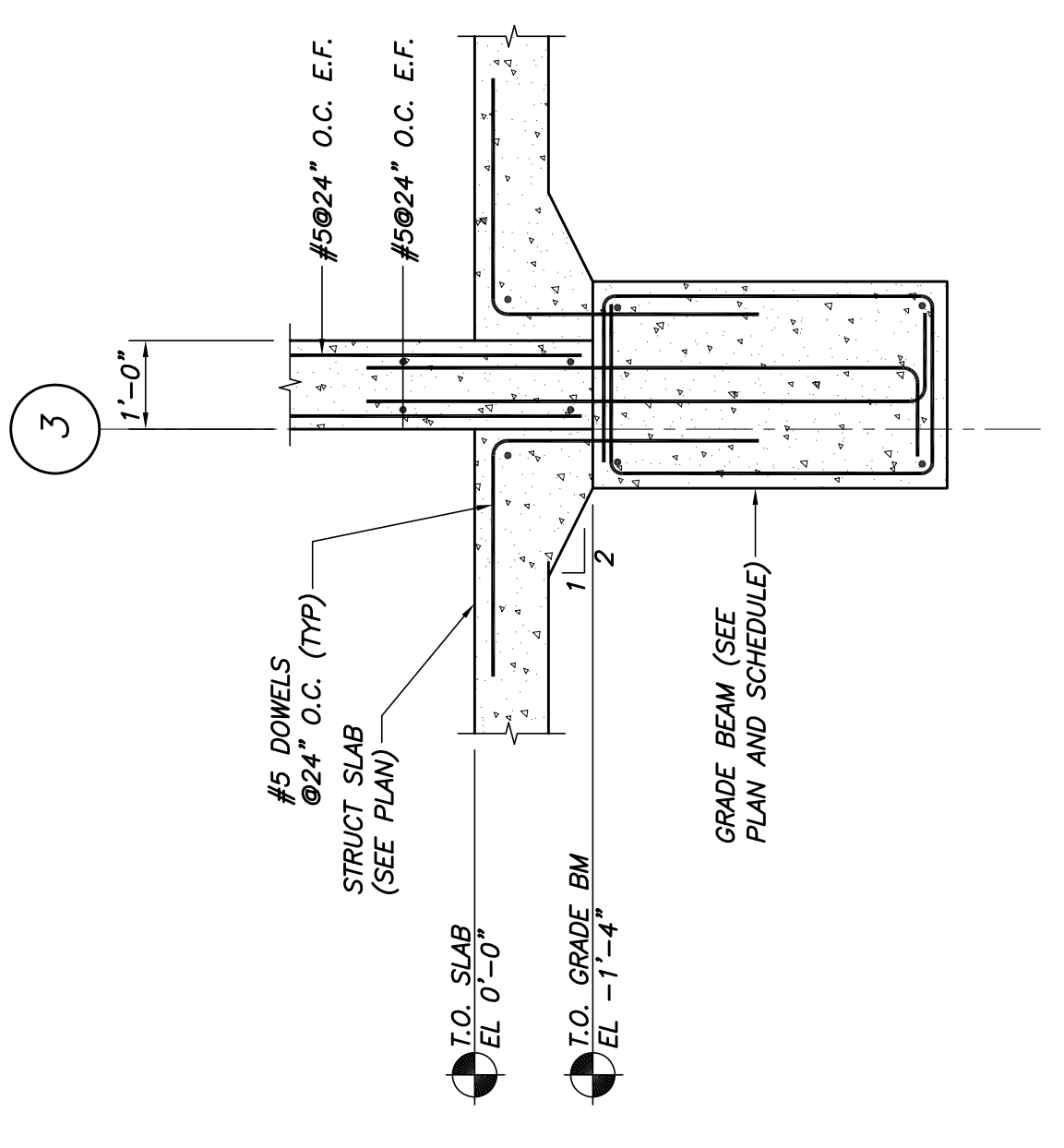
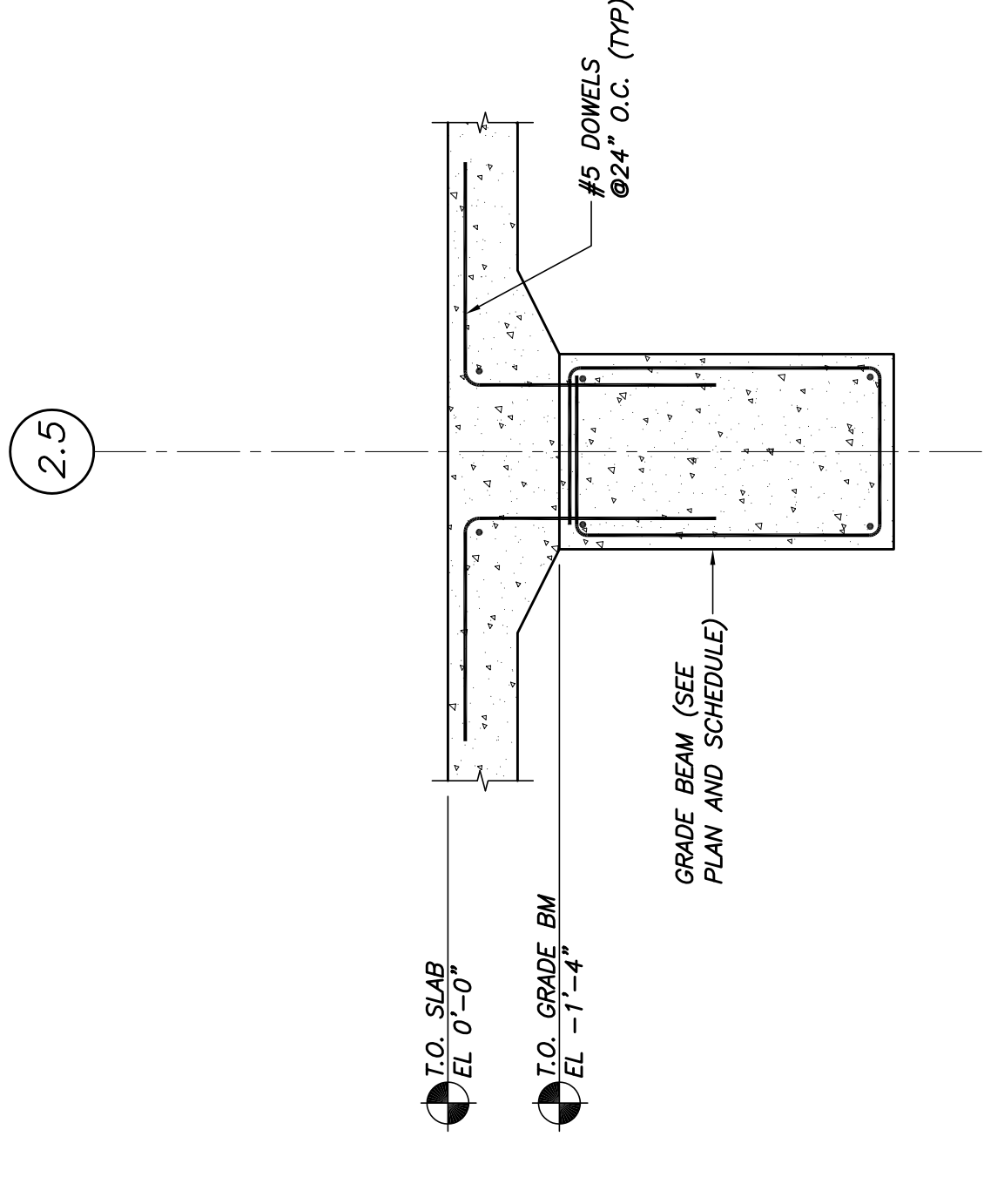
Building 2
 FOUNDATION
 SECTIONS & DETAILS

Structural Engineer
BECKER
 STRUCTURAL ENGINEERS
 75 York Street, Portland, Maine 04101
 207.879.1838 • beckerstructural.com

MEP Engineer
 McCabe & Associates
 FP Engineer
 McCabe & Associates

SCALE: AS NOTED
 ISSUED / DRAWN BY _____
 REVISIONS / REVISED BY _____
 APRIL 15, 2016

JOB NO: 15001
 SHEET NUMBER
S-2.0



NOT FOR CONSTRUCTION
 REVISED PERMIT SET
 4/15/16

PIER DETAILS
 1/2"=1'-0"

SECTION 9
 1/2"=1'-0"