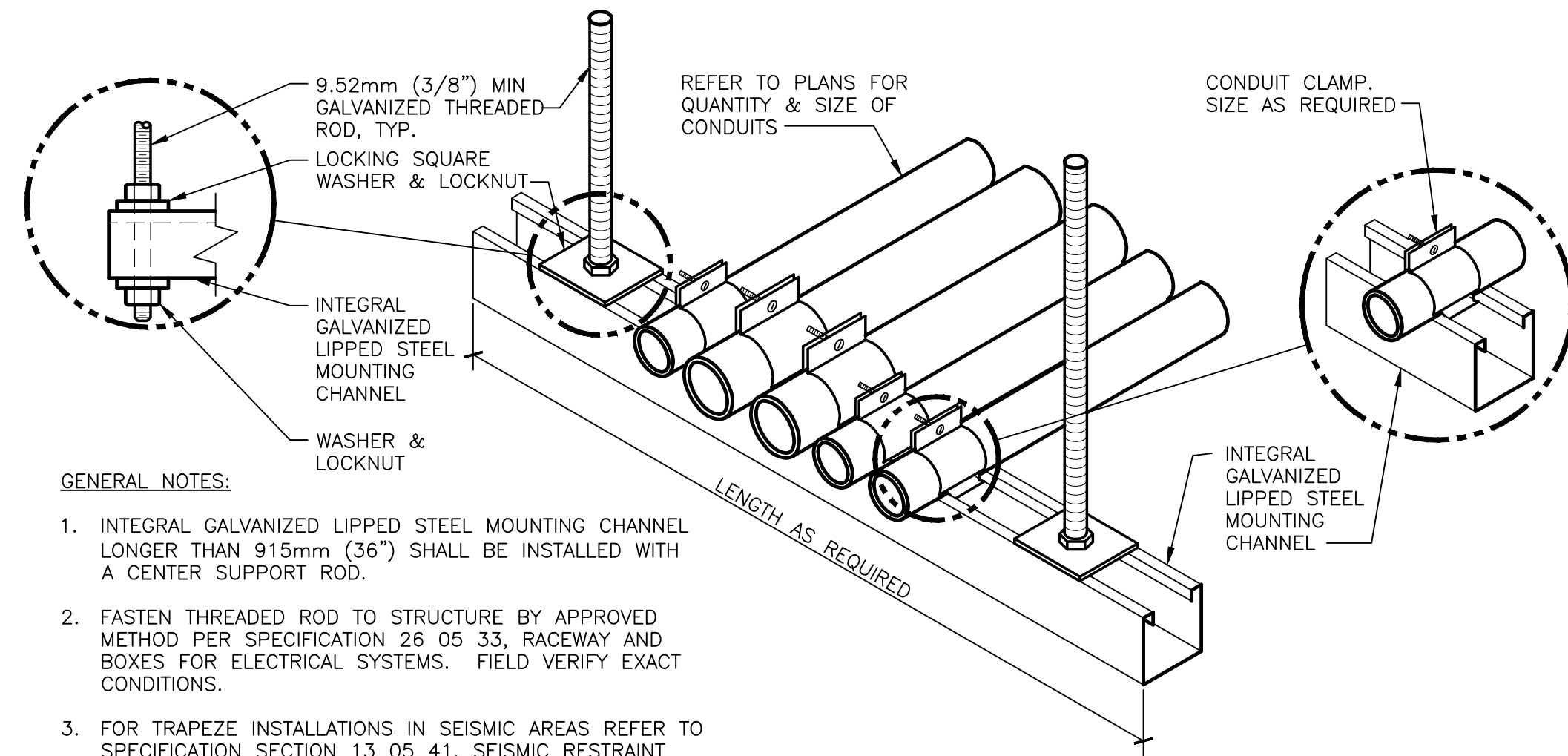


## ELECTRICAL DETAILS



### GENERAL NOTES:

- INTEGRAL GALVANIZED LIPPED STEEL MOUNTING CHANNEL LONGER THAN 915mm (36") SHALL BE INSTALLED WITH A CENTER SUPPORT ROD.
- FASTEN THREADED ROD TO STRUCTURE BY APPROVED METHOD PER SPECIFICATION 26 05 33, RACEWAY AND BOXES FOR ELECTRICAL SYSTEMS. FIELD VERIFY EXACT CONDITIONS.
- FOR TRAPEZE INSTALLATIONS IN SEISMIC AREAS REFER TO SPECIFICATION SECTION 13 05 41, SEISMIC RESTRAINT REQUIREMENTS FOR NON-STRUCTURAL COMPONENTS.

## 1 CONDUIT TRAPEZE MOUNTING DETAIL

## SYMBOLS AND ABBREVIATIONS

### LIGHTING SYMBOLS

- LED LIGHT FIXTURE - 2'x4'
- LED LIGHT FIXTURE - 1'x4'
- CEILING OR WALL MOUNTED EXIT SIGN. NUMBER OF FACES AND ARROWS AS SHOWN. MOUNT + 7'6" AFF
- SWITCH - MOUNT +48" AFF
- THREE-WAY SWITCH - MOUNT +48" AFF
- KEY SWITCH - MOUNT +48" AFF
- LED CEILING LIGHT SEE SCHEDULE.
- A1 SUBSCRIPT DESIGNATES FIXTURE TYPE, SEE SCHEDULE.

### POWER SYMBOLS

- DUPLEX RECEPTACLE (NEMA 5-20R) - MOUNT +18" AFF.
- DUPLEX RECEPTACLE (NEMA 5-20R) WITH GROUND FAULT INTERRUPTER MOUNT +18" AFF.
- QUADRUPLX RECEPTACLE (NEMA 5-20R) - MOUNT +18" AFF.
- TELECOMMUNICATION OUTLET - MOUNT +18" AFF, PROVIDE CONDUIT TO CEILING SPACE. PROVIDE CABLE TO MDF ROOM.
- JUNCTION OR OUTLET BOX - MOUNT +18" AFF, USE AS INDICATED.
- DUPLEX RECEPTACLE (NEMA 5-20R) IN FLUSH FLOOR BOX.
- TELECOMMUNICATION OUTLET IN FLOOR BOX.
- JUNCTION BOX - FLUSH IN FLOOR.
- PANELBOARD - 480 VOLT
- PANELBOARD - 208 VOLT
- CLOCK RECEPTACLE - MOUNT +7'-6" AFF. UON
- REFERENCE TO KEYED NOTE ON PLAN.
- TRANSFORMER
- BELL OR BUZZER- MOUNT 7'-6" AFF.
- PUSHBUTTON - MOUNT +48" AFF.
- DISCONNECT SWITCH - MOUNT +48" AFF.
- MOTOR STARTER, MANUAL TYPE - MOUNT +48" AFF.
- MISCELLANEOUS SYSTEM OR EQUIPMENT CABINET
- WALL MOUNTED PHOTO CELL

### FIRE ALARM SYMBOLS

- MANUAL PULL STATION - MOUNT +48" AFF.
- FIRE SIGNAL LIGHT - MOUNT +8'-0" AFF, UON.
- HORN - MOUNT +8'-0" AFF.
- FIRE SIGNAL LIGHT AND HORN - MOUNT +8'-0" AFF, UON.
- HEAT DETECTOR, CEILING MOUNTING.

### SECURITY SYSTEM SYMBOLS

- CCTV CAMERA WITH JUNCTION BOX AND DUPLEX OUTLET. CAMERA WITH FIXED LENS.
- CCTV 4" FIXED CAMERA DOME UNIT PLACED IN CEILING TILE AND CENTERED OVER CASH REGISTER.
- CCTV CAMERA WITH JUNCTION BOX AND DUPLEX OUTLET. CAMERA WITH PAN, TILT, AND ZOOM CAPABILITIES.
- MOTION DETECTOR, CEILING MOUNTED.
- MOTION DETECTOR, WALL MOUNTED- MOUNT + 7'6" AFF, UON.
- DOOR CONTACT - MOUNT AT DOOR JAMB.
- KEY PAD - WALL MOUNTED 48" AFF, UON.
- CCTV VIDEO MONITOR JACK - WALL MOUNTED 18" AFF, UON.

### WIRING SYMBOLS

- WIRING CONCEALED IN WALL OR ABOVE.
- WIRING CONCEALED IN FLOOR.
- WIRING EXPOSED.
- WIRING GENERAL: ARROWS INDICATE NUMBER OF CIRCUITS IN DESIGNATED PANEL. NUMBER OF SLASHES INDICATE NUMBER OF CONDUCTORS WHEN MORE THAN TWO. SIZE #12 MINIMUM UNLESS OTHERWISE NOTED. PROVIDE GROUND CONDUCTORS IN ALL CIRCUITS (NOT INDICATED).
- CONDUCTORS TURNED UP.
- CONDUCTORS TURNED DOWN.

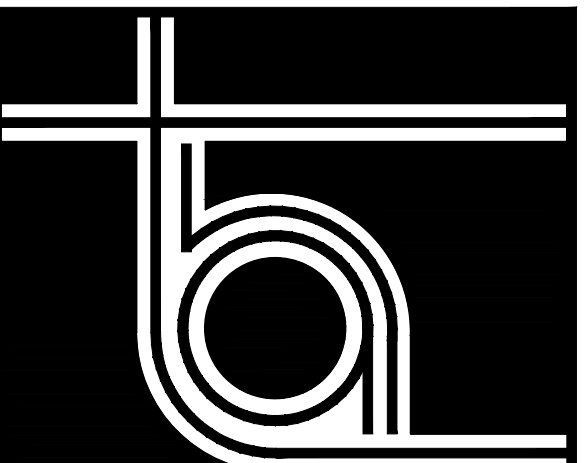
### ABBREVIATIONS

- AFF ABOVE FINISHED FLOOR
- AMP AMPERES
- C CONDUIT
- MLO MAIN LUGS ONLY
- MCB MAIN CIRCUIT BREAKER
- T TRANSFORMER
- WP SUBSCRIPT INDICATED ITEM IN WEATHERPROOF ENCLOSURE OR OF WEATHERPROOF CONSTRUCTION
- UON UNLESS OTHERWISE NOTED
- V VOLT
- PH PHASE
- AWG AMERICAN WIRE GAUGE
- FAAP FIRE ALARM ANNUNCIATOR PANEL
- FACP FIRE ALARM CONTROL PANEL

## LIGHTING FIXTURE SCHEDULE

TYPE	MANUFACTURER & CAT. #	LAMPS	MOUNTING	REMARKS
A	COLUMBIA JT824-232G-FSA12-EU	2-F32 T8 35K	TROFFER	OFFICE
B	NEW STAR VIC2N-4N-L2501-RW-27-WH-PC-OC	50W LED	SURFACE	INTEGRAL PHOTO & OCC SENSOR, -20" OPERATION
C	AMERICAN FLUORESCENT ASP115R8	1-F15T8	WALL SURFACE	VANITY LIGHT ENERGY STAR
D	AMERICAN FLUORESCENT ST232E8	2-F32T8-120	SURFACE CEILING	ENERGY STAR MECH SPACE STRIP
E	DUAL LITE LN4XRW	LED-120	SURFACE	WEATHERPROOF LED EXIT LIGHT
N	COLUMBIA AWW4-232-EU-EL	2-F32 T8	SURFACE CEILING	WATER ROOM
S1	BEACON VP-S/30NB-90/5K/T5R/UNV/PCRU-TL	90W LED	POLE 22' AFG	PROVIDE CONCRETE BASE 36" AGF
S2	HUBBELL SCP-36L4-5K-5M-X-PCSCP	86W LED	SURFACE CEILING	PARKING GARAGE LIGHTING PHOTO AND MOTION
S3	HUBBELL LMC LED X PC120	45W LED	WALL 10' AFG	WIDE THROW
S4	LITEFORMS LD6LED4DW35K8FL35120V5X	28W LED	SURFACE WALL	WALL CAN MOUNT 9'0" AFG
S5	AAL CB9R7QMH AGR	70W MH	BOLLARD	GARAGE ENTRANCE LIGHTED BOLLARD

NOTE: ALL FLUORESCENT LAMPS SHALL BE MINIMUM 80 CRI, 3000° KELVIN  
ALL LIGHTING IN BUILDING 2 SHALL BE 277 VOLT EXCEPT FOR TYPE "D" SHALL BE 120 VOLT  
SUBSTITUTION IS ALLOWED AS LONG AS VOLTAGE, LIGHT DISTRIBUTION AND LEVELS ARE MATCHED



THA  
ARCHITECTS, LLC

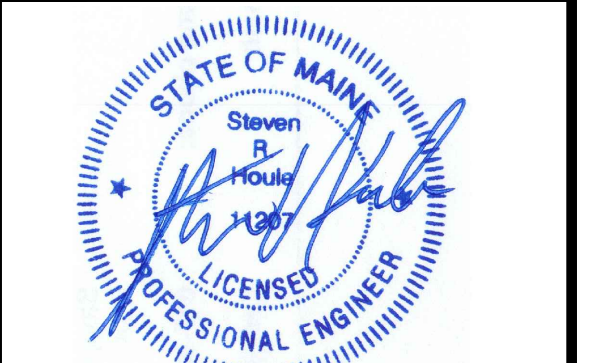
ARCHITECTURE • DESIGN • PLANNING • INTERIOR DESIGN

105 WILLOW BROOK AVENUE  
STRATHAM, NEW HAMPSHIRE 03885

Tel: (603) 770-2491 Fax: (603) 773-0238

www.thaarc.com

These drawings and specifications were prepared for use at the location indicated. Publication and use is expressly limited to the identified location. Reuse or reproduction by any method, in whole or in part, is prohibited without the written permission of THA Architects, LLC.  
© THA Architects, LLC.



midtown Portland

Somerset Street  
Elm Street  
Portland, ME

Electrical  
legend and  
details

Structural Engineer  
Becker Engineering  
MEP ENGINEER  
McCabe Associates  
FP Engineer  
McCabe Associates

SCALE: None

ISSUED / DRAWN BY

2/8/16

© THA Architects, LLC

REVISED / REVISED BY

#1 12/10/15

JOB NO: 15001

SHEET NUMBER

E-0.1

Revised Permit Set April 15, 2016  
Permit Set February 8, 2016