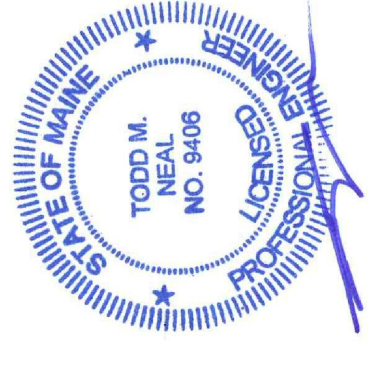


THA ARCHITECTS, LLC
 ARCHITECTURE • DESIGN • PLANNING • INTERIOR DESIGN
 105 WILLOW BROOK AVENUE
 STRATHAM, NEW HAMPSHIRE 03885
 Tel: (603) 770-2491 Fax: (603) 773-0238
 WWW.THARCH.COM

These drawings and specifications were prepared for use at the location indicated. Publication and reuse of these drawings and specifications in whole or in part is prohibited without the written permission of THA Architects, LLC.
 © 2015 THA Architects, LLC.



midtown Portland

Somerset Street
 Elm Street
 Portland, ME

Building 2

SECTIONS & DETAILS



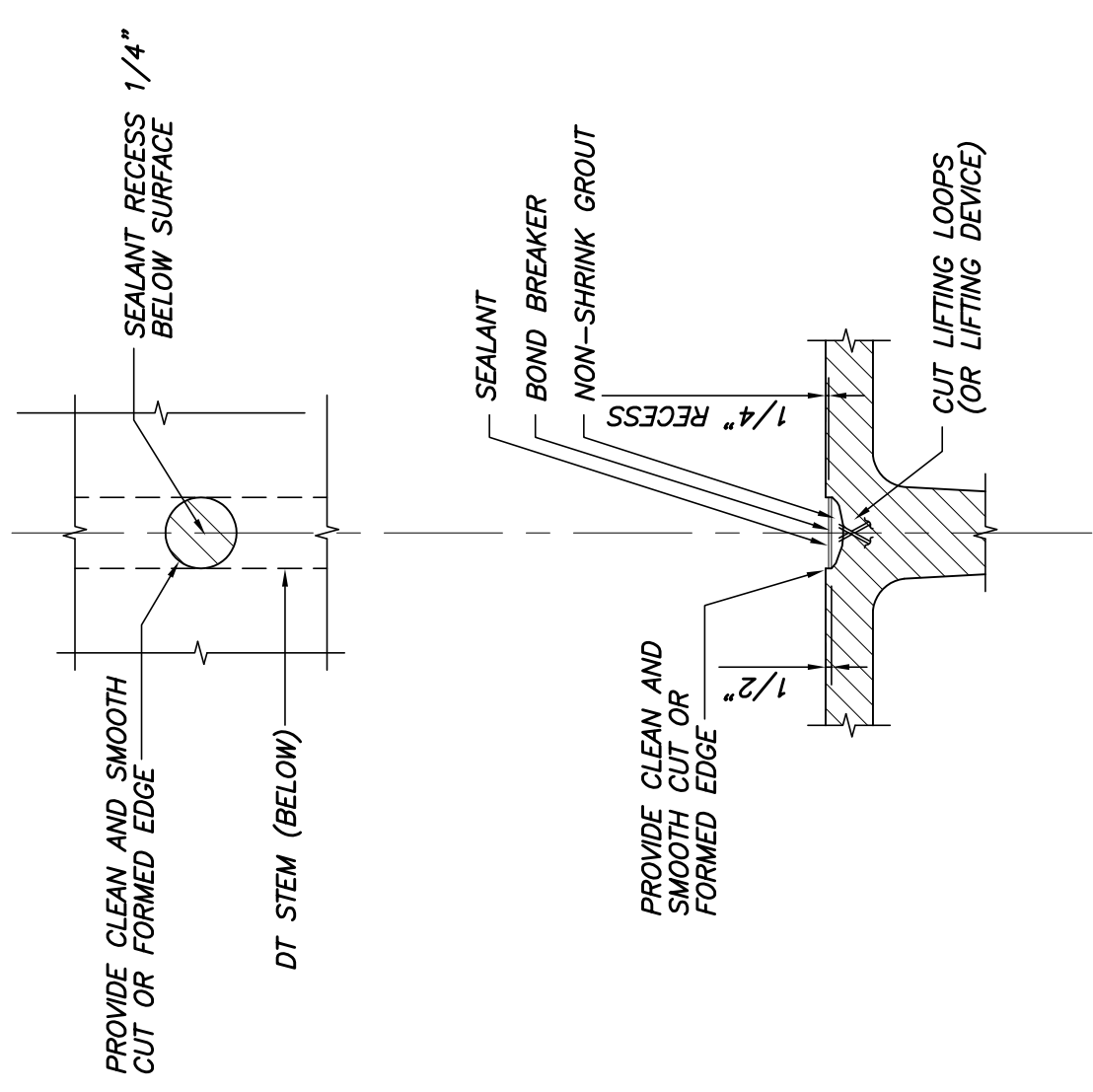
MEP Engineer
McCabe & Associates
 FP Engineer
McCabe & Associates

SCALE: AS NOTED
 ISSUED / DRAWN BY _____
 REVISIONS / REVISED BY _____
 APRIL 15, 2016

JOB NO: 15001

SHEET NUMBER

S-4.1



NOTES
PREPARATION
 1. STRAND LIFTING LOOP SHOULD BE CUT FLUSH, IF POSSIBLE, TO THE BOTTOM OF POCKET. CLEAN RUST FROM STRAND AND COAT WITH COLD GALVANIZING. DETERIORATED AND BOND INHIBITING MATERIALS FROM SURFACE. PREPARATION WORK SHALL BE DONE BY HIGH PRESSURE WATER BLAST, SHOT BLAST OR OTHER APPROPRIATE MECHANICAL MEANS TO OBTAIN AN EXPOSED AGGREGATE SURFACE WITH MINIMUM SURFACE PROFILE OF #1/8".
 2. SATURATE SURFACE WITH CLEAN WATER. SUBSTRATE SHOULD BE APPLICATION.

INSPECTION
 1. INSPECT ALL CONCRETE SURFACES PRIOR TO APPLICATION OF PRIMERS/ADHESIVES TO ENSURE PROPER PREPARATION AND SURFACE DRYNESS.
 2. CONFORM TO ALL THE MANUFACTURER'S PREPARATION INSTRUCTIONS.

GROUT
 1. APPLY PRIMER TO CONCRETE SUBSTRATE COMPATIBLE WITH GROUT. INSTALL EXCEPT AS PER MANUFACTURER'S INSTRUCTIONS. DO NOT EXCEED THE MAXIMUM LIFT THICKNESS SPECIFIED BY MANUFACTURER.
 2. CURING SHALL BE AS SPECIFIED BY MANUFACTURER AND AS PER ACI.

JOINT SEALANT INSTALLATION
 1. ENSURE ALL FREE MOISTURE HAS BEEN REMOVED AND REPAIR HAS BEEN PROPERLY CURED.
 2. PREPARE AND ALLOW FOR PRIMER TO CURE PROPERLY PRIOR TO SEALANT APPLICATION.
 3. PROVIDE A PRIMER APPROVED BY SEALANT MANUFACTURER.
 4. INSTALL SEALANT EVENLY AND RECESS 1/4" BELOW SURFACE. DO NOT OVERFILL JOINT.

PRIMER
 1. PREPARE AND ALLOW FOR PRIMER TO CURE PROPERLY, PRIOR TO INSTALLING SEALANT.
 2. PROVIDE A PRIMER APPROVED BY SEALANT MANUFACTURER.
 3. INSTALLATION SHALL CONFORM TO MANUFACTURER'S REQUIREMENTS.

SEALANT INSTALLATION
 1. INSPECT ALL SURFACES PRIOR TO INSTALLING SEALANT. INSTALLATION OF SEALANT IMPLIES ACCEPTANCE OF SUBSTRATE CONDITIONS.
 2. SUBSTRATE TEMPERATURE SHALL BE BETWEEN 40°F TO 70°F. INSTALLATION OF SEALANT OUTSIDE THIS RANGE SHALL BE PERMITTED ONLY IF WRITTEN AND DOES NOT VOID WARRANTY, SUBMITTED FROM SEALANT MANUFACTURER.
 3. SHALL BE A MINIMUM OF 3/4 THE JOINT WIDTH.
 4. MULTIPLE COMPONENT PRODUCTS SHALL BE MIXED IN STRICT ACCORDANCE WITH SEALANT MANUFACTURER'S RECOMMENDATIONS. MIX ONLY AS MUCH SEALANT AS CAN BE USED FOR JOINT BEING GROUTED AND HOLD CURE AT JOINT. KEEPING NOZZLE DEEP IN SEALANT, CONTINUE WITH STEADY FLOW OF SEALANT PRECEDING THE NOZZLE TO AVOID AIR ENTRAPMENT.
 5. TOOL JOINTS AS REQUIRED WITH A DRY TOOL FREE OF TOOLING AIDS. PROVIDE A CONCAVE SHAPE WITH RECESS AS NOTED IN THE TYPICAL DETAILS.
 6. SEALANT SHALL BE PROTECTED FROM MECHANICAL DAMAGE AFTER IMMERSION. FOR THE DURATION OF THE MANUFACTURER'S SPECIFIED CURE TIME. CONTRACTOR SHALL SUPPLY ALL NECESSARY PROTECTION AGAINST MOISTURE.
 7. CLEAN UP SHALL CONFORM TO MANUFACTURER'S RECOMMENDATIONS AND ALL GOVERNMENTAL REGULATIONS.

PC JOINT DETAILS
 1. MINIMUM JOINT WIDTH=1/4". MAXIMUM JOINT WIDTH=1".
 2. 1/4" (+1/2", -0") JOINT BETWEEN D.T. FLANGES TYPICAL. 3/8" (+1/2", -0") AT RAMPS.
 3. TOLERANCES:
 FABRICATION: WIDTH OF D.T.= ±1/4"
 ERECTION: JOINT WIDTH (4 FT TO 60 FT)= ±3/4"
 DIMENSIONAL TOLERANCES:
 ALIGNMENT: DIFFERENTIAL CAMBER (SAME DESIGN)=3/4" MAX
 FABRICATION: DIFFERENTIAL CAMBER=1/4" IN DRIVE LANES (REF 2)
 ERECTION: DIFFERENTIAL TOP ELEVATION=1/4" ;

PREPARATION
 1. PROVIDE TOoled OR GROUND EDGE TO 1/4" RADIUS.
 2. ALL JOINT SURFACES MUST BE STRUCTURALLY SOUND, FULLY CURED AND CLEAN, FREE OF DIRT, MOISTURE, LOOSE PARTICLES, OIL, GREASE, ASPHALT, TAR, PAINT, WAX, RUST, WATERPROOFINGS, CURING AND PARTING COMPOUNDS AND MEMBRANE MATERIALS. SURFACES TO BE PROTECTED FROM CONTAMINATION AND DAMAGE.
 3. OF CONTAMINATION AND DAMAGE.
 4. ALL JOINTS SHALL BE FREE OF MOISTURE AND/OR FROST.

DETAIL AT DT-WALL/DT-BEAM
 N.T.S.

TYP PC JOINT DETAILS
 N.T.S.

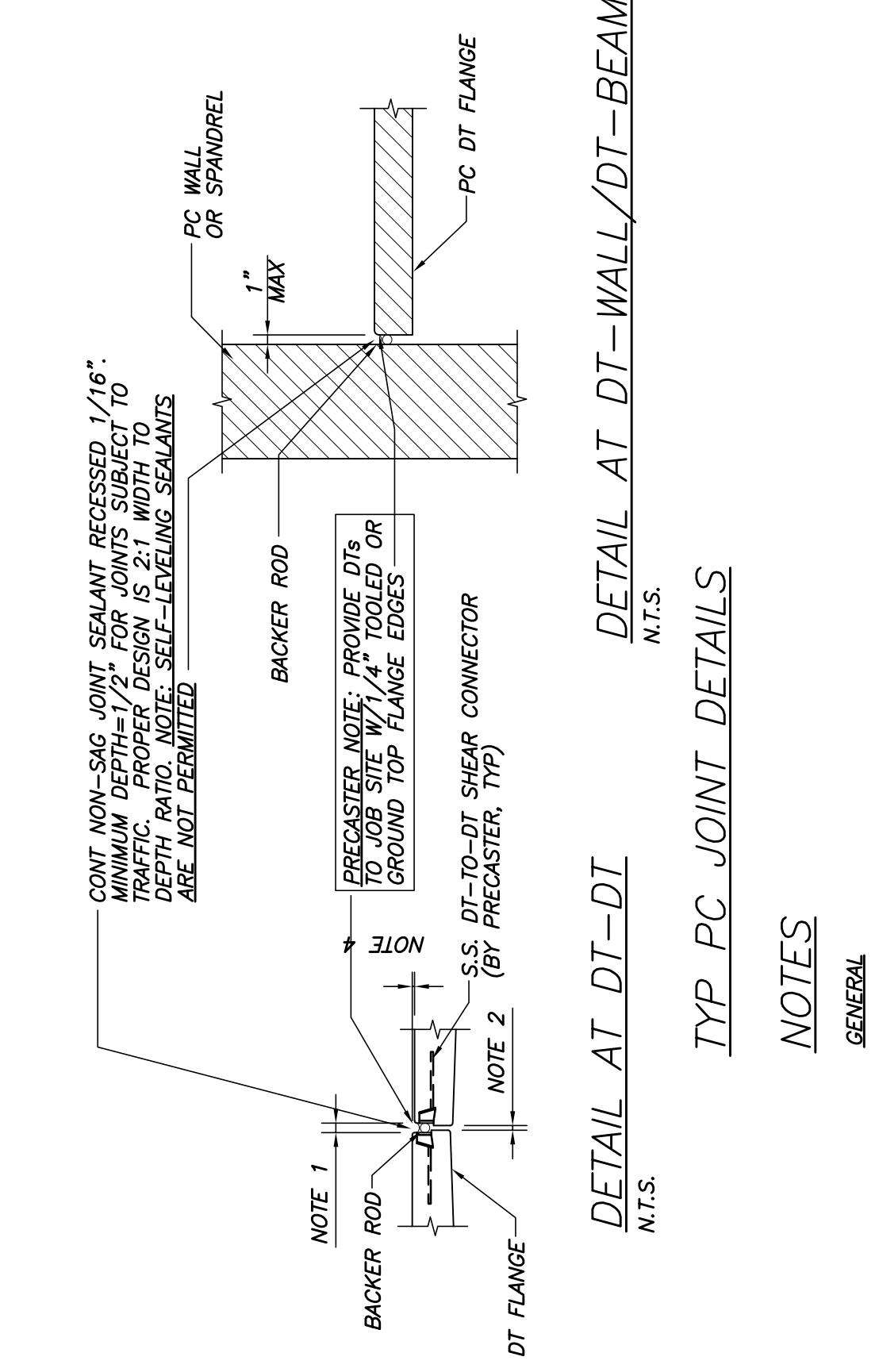
DETAIL AT DT-DI
 N.T.S.

TYP HSS GIRTS TO HSS COL
 DETAIL U.N.O.
 N.T.S.

TYP MOMENT CONN DETAIL U.N.O.
 N.T.S.

TYP DRAIN DETAILS
 N.T.S.

NOT FOR CONSTRUCTION
 REVISED PERMIT SET
 4/15/16



DETAIL AT DT-DI
 N.T.S.

TYP PC JOINT DETAILS
 N.T.S.

TYP HSS GIRTS TO HSS COL
 DETAIL U.N.O.
 N.T.S.

TYP MOMENT CONN DETAIL U.N.O.
 N.T.S.

TYP DRAIN DETAILS
 N.T.S.

NOT FOR CONSTRUCTION
 REVISED PERMIT SET
 4/15/16

SECTION 3/4"=1'-0"
 1 S-1.5

SECTION 3/4"=1'-0"
 2 S-1.5

SECTION 3/4"=1'-0"
 3 S-1.5

SECTION 3/4"=1'-0"
 4 S-1.5

SECTION 3/4"=1'-0"
 5 S-1.5

SECTION 3/4"=1'-0"
 6 S-1.5

SECTION 3/4"=1'-0"
 7 S-1.5

SECTION 3/4"=1'-0"
 8 S-1.5

SECTION 3/4"=1'-0"
 9 S-1.5

SECTION 3/4"=1'-0"
 10 S-1.5

SECTION 3/4"=1'-0"
 11 S-1.5

SECTION 3/4"=1'-0"
 12 S-1.5

SECTION 3/4"=1'-0"
 13 S-1.5

SECTION 3/4"=1'-0"
 14 S-1.5

SECTION 3/4"=1'-0"
 15 S-1.5

SECTION 3/4"=1'-0"
 16 S-1.5

SECTION 3/4"=1'-0"
 17 S-1.5

SECTION 3/4"=1'-0"
 18 S-1.5

SECTION 3/4"=1'-0"
 19 S-1.5

SECTION 3/4"=1'-0"
 20 S-1.5

SECTION 3/4"=1'-0"
 21 S-1.5