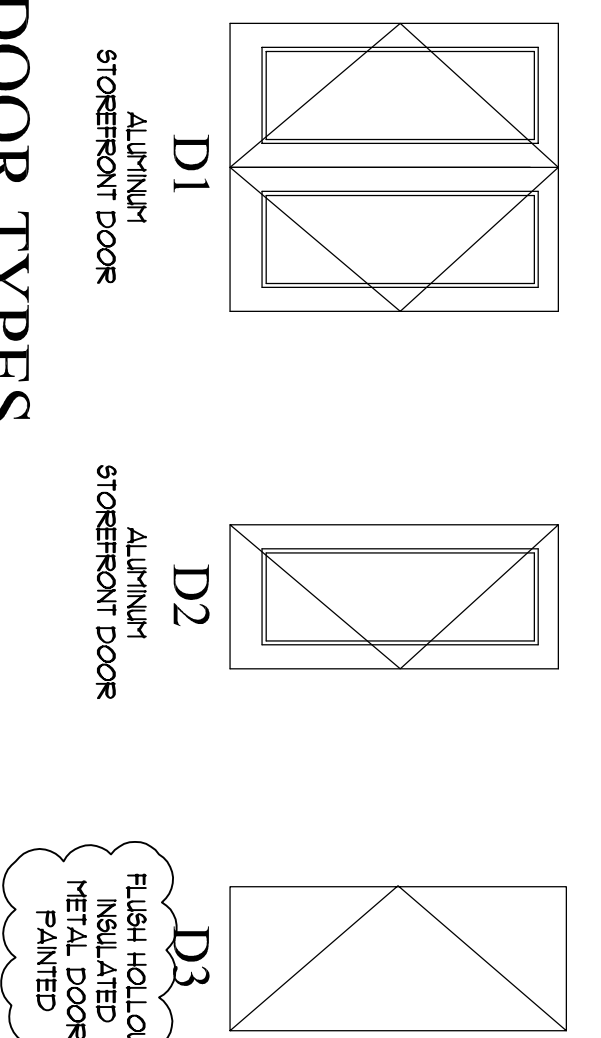


DOOR SCHEDULE

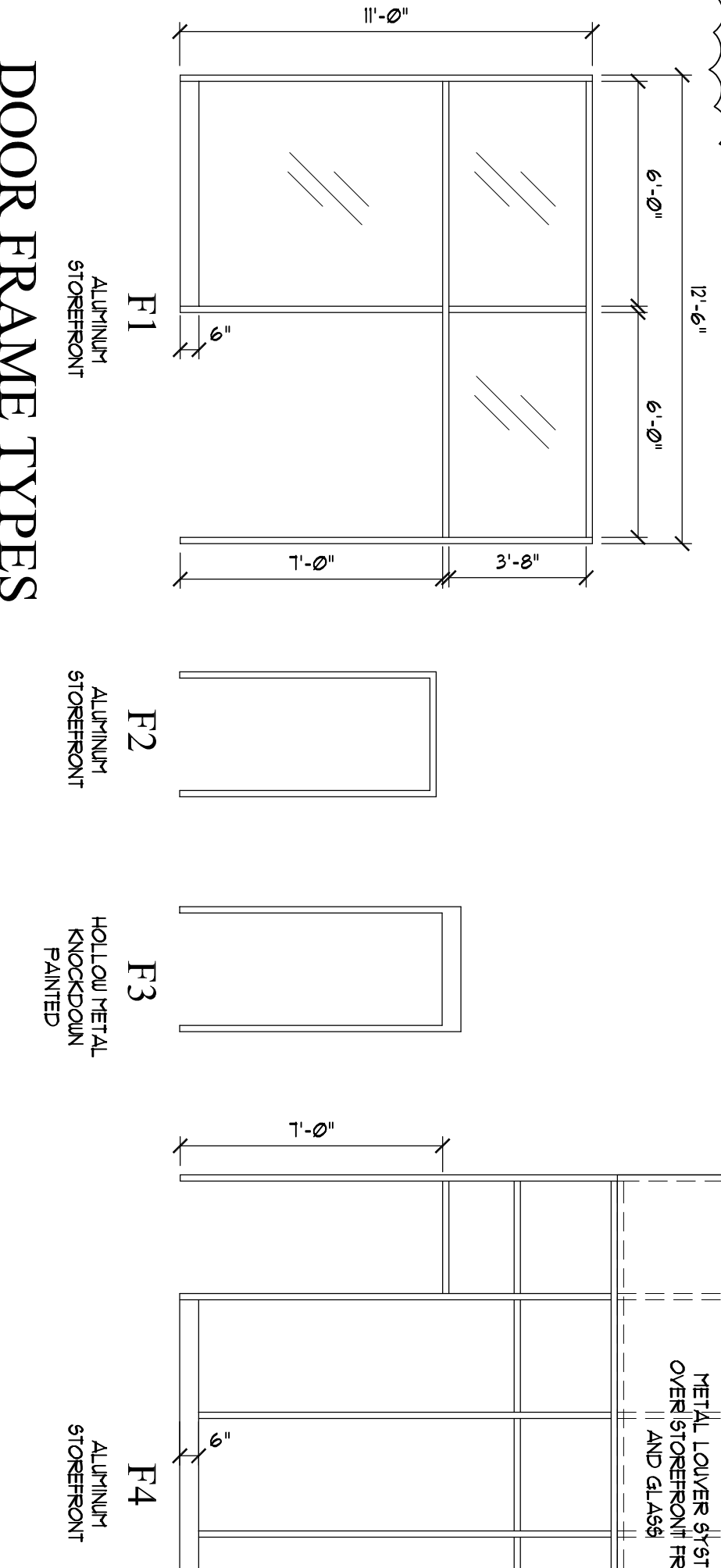
DOOR NO.	TYPE	MATERIAL	W.H. x T.	FINISH	FRAME	DETAILS	HWDR RATING	REMARKS
1000a	D3	METAL	3'-0"X1'-0" 1/2"	PAINT	F3			
1000b	D3	METAL	3'-0"X1'-0" 1/2"	PAINT	F3			
1000c	D3	METAL	3'-0"X1'-0" 1/2"	PAINT	F3			
1000d	D3	METAL	3'-0"X1'-0" 1/2"	PAINT	F3			
1000e	D3	METAL	3'-0"X1'-0" 1/2"	PAINT	F3			
1001	D1	ALUM.	71/2'-0"X1'-0" X 1/2"	CLEAR	F1			
1002	D1	ALUM.	71/2'-0"X1'-0" X 1/2"	CLEAR	F1			
1003	D3	METAL	3'-0"X6'-8" X 1/2"	PAINT	F3			
1004	D3	METAL	3'-0"X6'-8" X 1/2"	PAINT	F3			
1005	D3	METAL	3'-0"X6'-8" X 1/2"	PAINT	F3			
1006	D3	METAL	3'-0"X6'-8" X 1/2"	PAINT	F3			
1007	D3	METAL	3'-0"X6'-8" X 1/2"	PAINT	F3			
1008	D3	METAL	3'-0"X6'-8" X 1/2"	PAINT	F3			
1009	D3	METAL	3'-0"X6'-8" X 1/2"	PAINT	F3			
1010	D3	METAL	3'-0"X6'-8" X 1/2"	PAINT	F3			
1011	D3	METAL	3'-0"X6'-8" X 1/2"	PAINT	F3			
1012	D3	METAL	3'-0"X6'-8" X 1/2"	PAINT	F3			
1003	D3	METAL	3'-0"X6'-8" X 1/2"	PAINT	F3			
1004	D3	METAL	3'-0"X6'-8" X 1/2"	PAINT	F3			
1005	D3	METAL	3'-0"X6'-8" X 1/2"	PAINT	F3			
1006	D3	METAL	3'-0"X6'-8" X 1/2"	PAINT	F3			
1007	D3	METAL	3'-0"X6'-8" X 1/2"	PAINT	F3			
1008	D3	METAL	3'-0"X6'-8" X 1/2"	PAINT	F3			
1009	D3	METAL	3'-0"X6'-8" X 1/2"	PAINT	F3			
1010	D3	METAL	3'-0"X6'-8" X 1/2"	PAINT	F3			
1011	D3	METAL	3'-0"X6'-8" X 1/2"	PAINT	F3			
1012	D3	METAL	3'-0"X6'-8" X 1/2"	PAINT	F3			
1003	D3	METAL	3'-0"X6'-8" X 1/2"	PAINT	F3			
1004	D3	METAL	3'-0"X6'-8" X 1/2"	PAINT	F3			
1005	D3	METAL	3'-0"X6'-8" X 1/2"	PAINT	F3			
1006	D3	METAL	3'-0"X6'-8" X 1/2"	PAINT	F3			
1007	D3	METAL	3'-0"X6'-8" X 1/2"	PAINT	F3			
1008	D3	METAL	3'-0"X6'-8" X 1/2"	PAINT	F3			
1009	D3	METAL	3'-0"X6'-8" X 1/2"	PAINT	F3			
1010	D3	METAL	3'-0"X6'-8" X 1/2"	PAINT	F3			
1011	D3	METAL	3'-0"X6'-8" X 1/2"	PAINT	F3			
1012	D3	METAL	3'-0"X6'-8" X 1/2"	PAINT	F3			

- NOTES:
1. PROVIDE TEMPERED GLASS AT ALL GLAZING PANELS BELOW BY AFF. NOTE FALL GLASS DOORS WITH GLASS BELOW BY AFF. WILL REQUIRE A TEMPERING OF ENTIRE PANEL.
 2. PROVIDE INSULATED STOREROOM DOOR GLASS AND PLAYERS AT EXTERIOR LOCATIONS TYPICAL REFER TO FLOOR PLANS FOR LOCATIONS.
 3. SCHEDULE TO HAVE THE METAL FINISH LOCATIONS AS INDICATED IN SCHEDULE.
 4. PROVIDE FLOOR DOOR STOPS WHERE EVER DOOR HANDLE CONTACTS ANOTHER SURFACE WHERE FLOOR STOPS ARE NOT FEASIBLE PROVIDE WALL STOP.
 5. SOLID WEATHER STRIPPING SEAL AT ALL ENTRIES INCLUDING WHERE DOUBLE.
 6. DOORS WITH CONTRACTORS TO FIELD VERIFY ALL DIMENSIONS IN THE FIELD PRIOR TO APPROVAL AND FABRICATION.

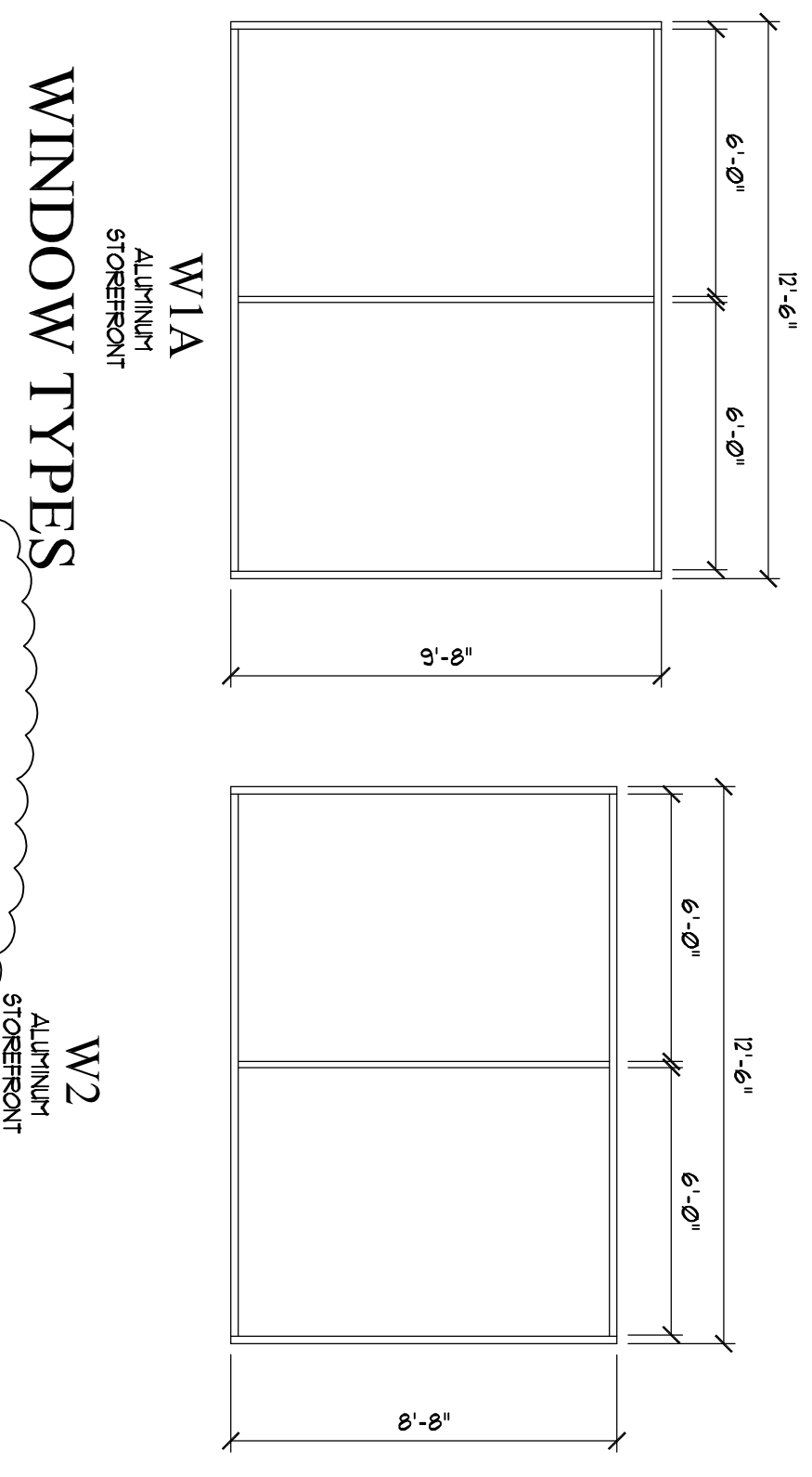
DOOR TYPES



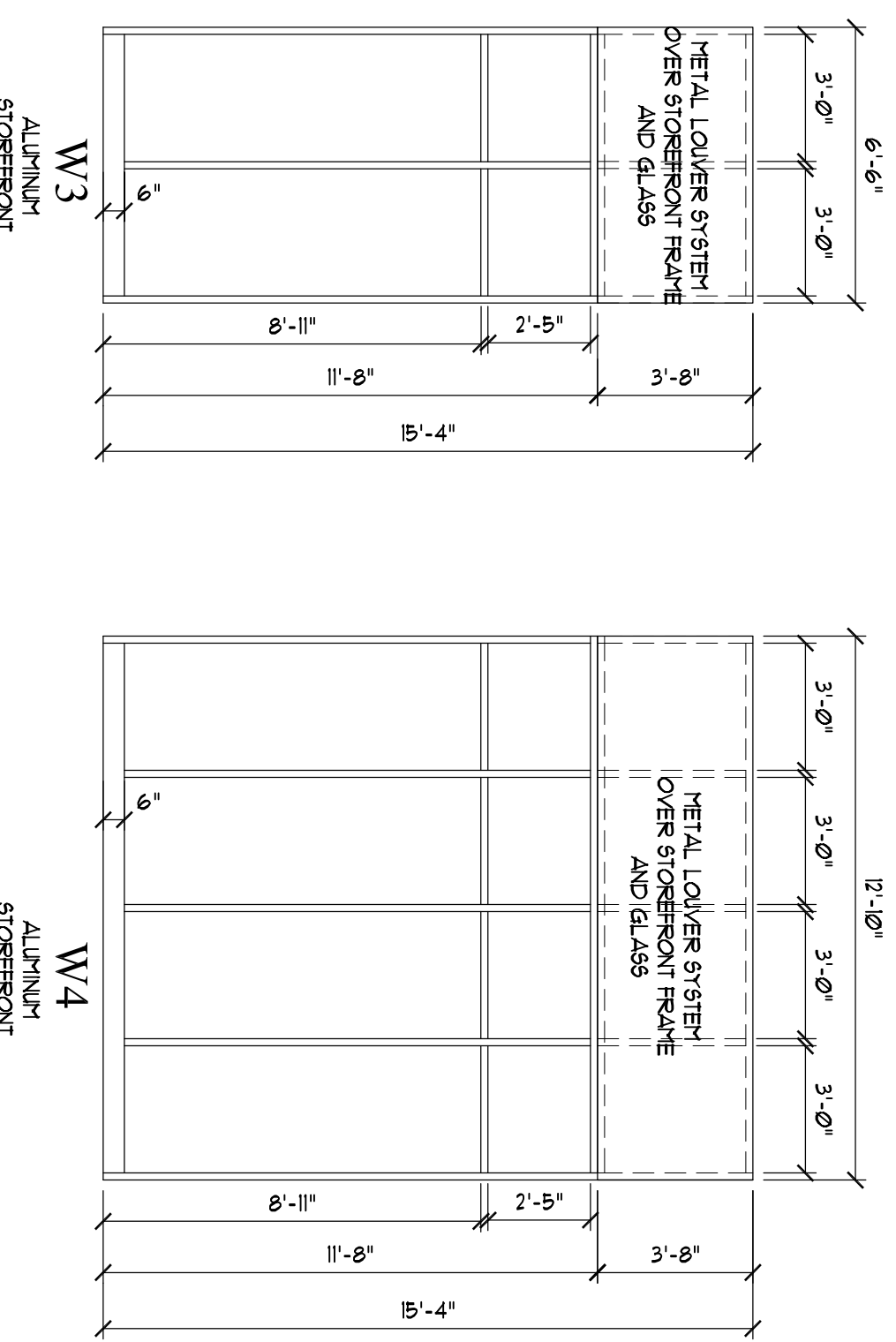
DOOR FRAME TYPES



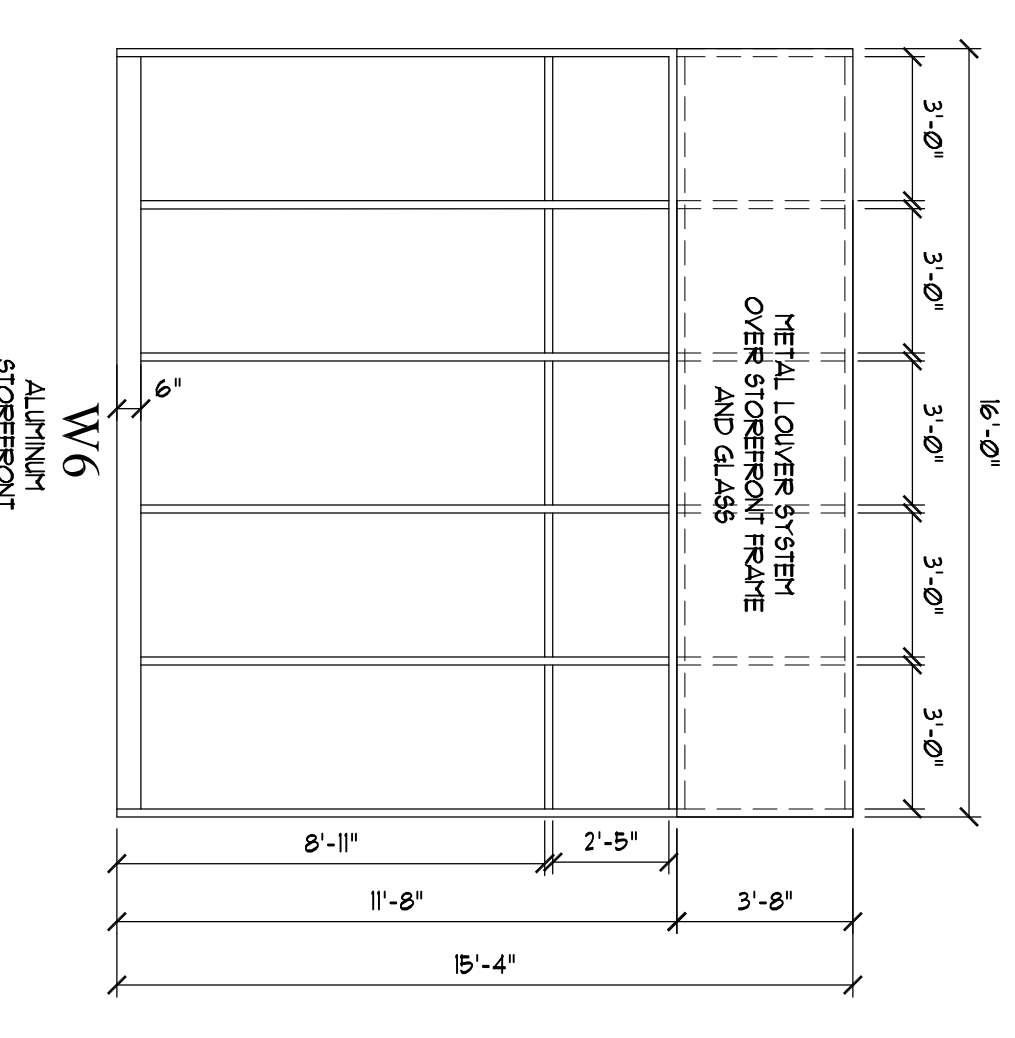
WINDOW TYPES



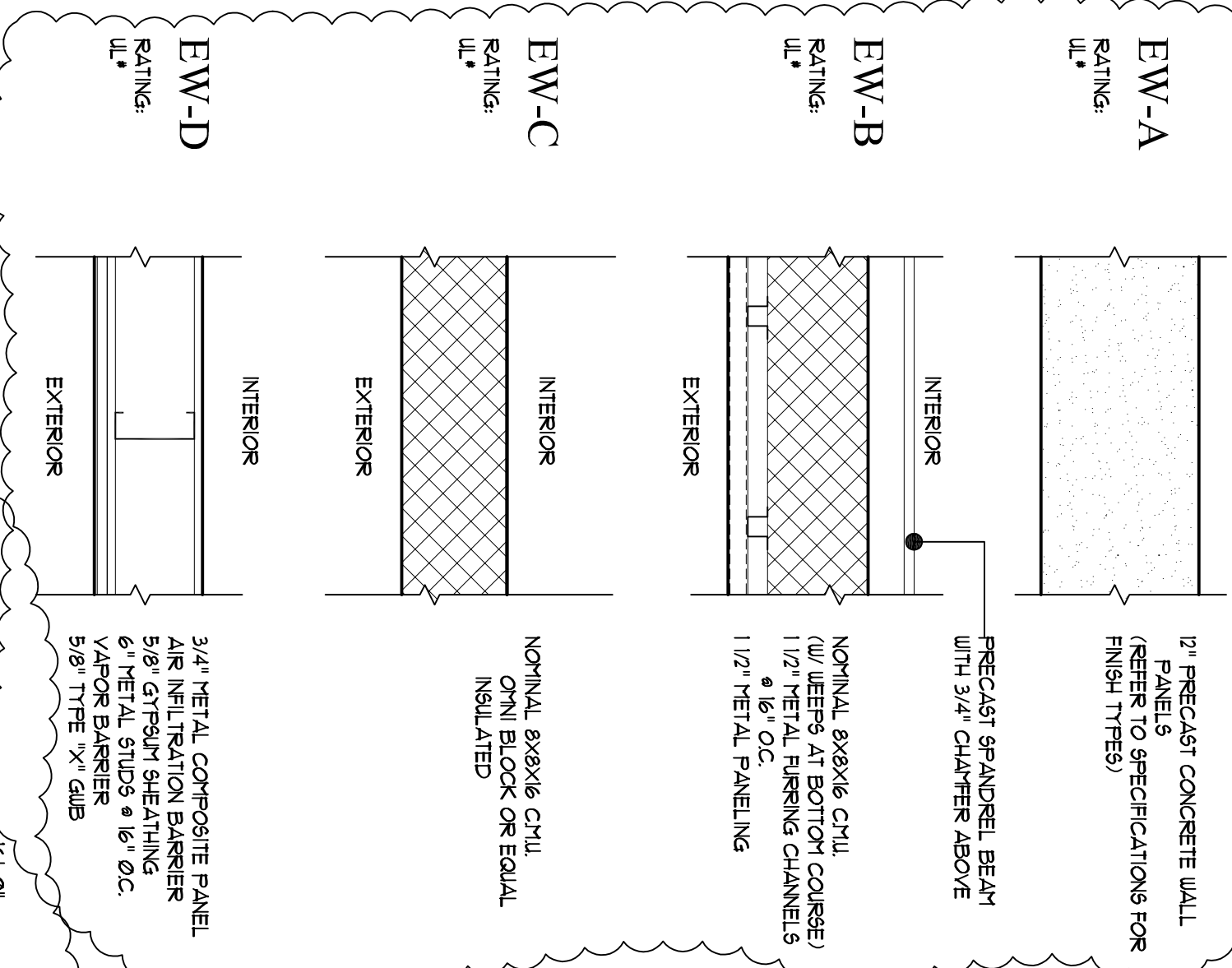
WINDOW TYPES



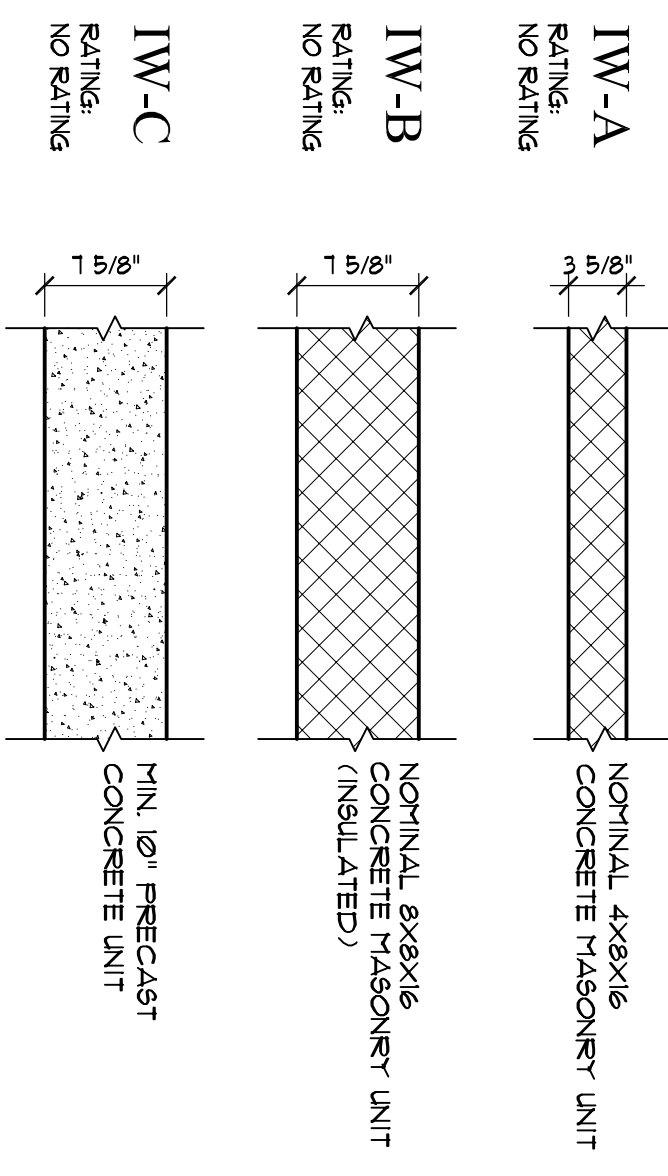
WINDOW TYPES



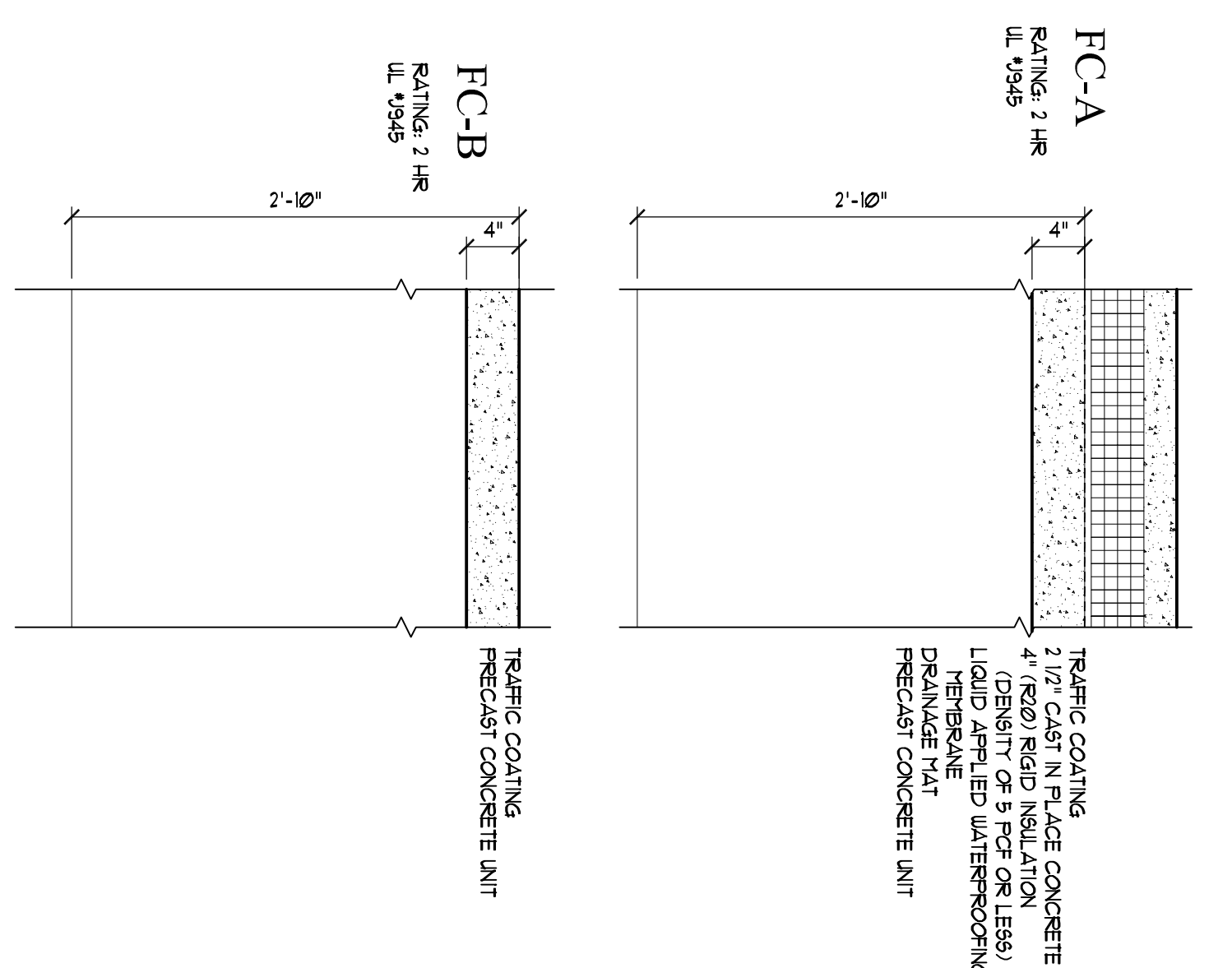
Exterior Walls



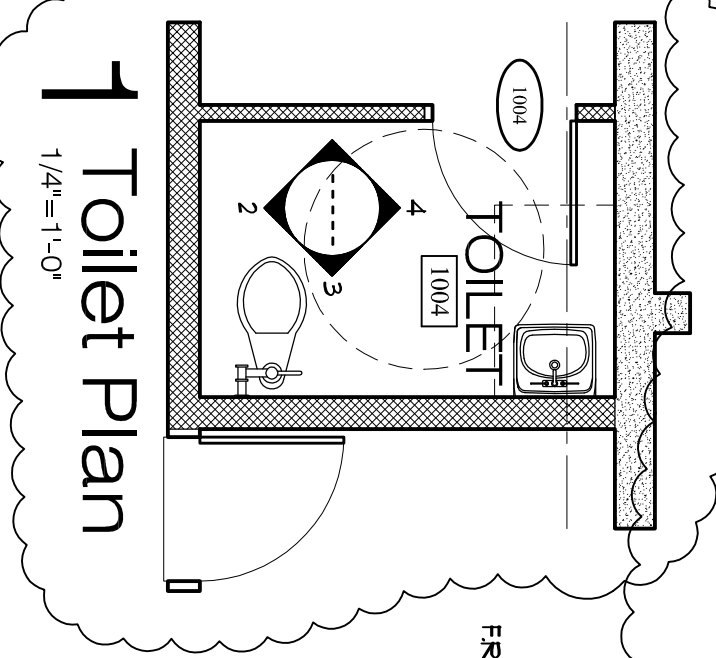
Interior Walls



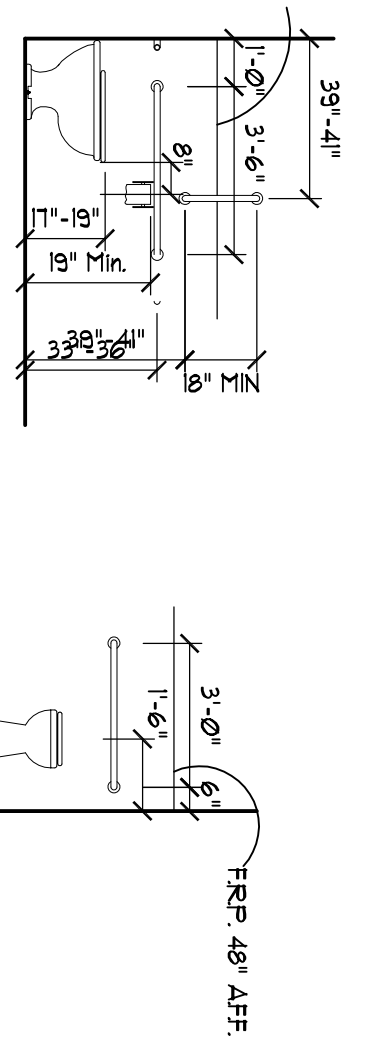
Floor/Ceiling Assemblies



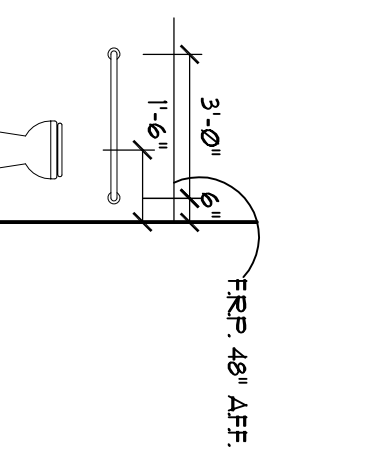
1 Toilet Plan



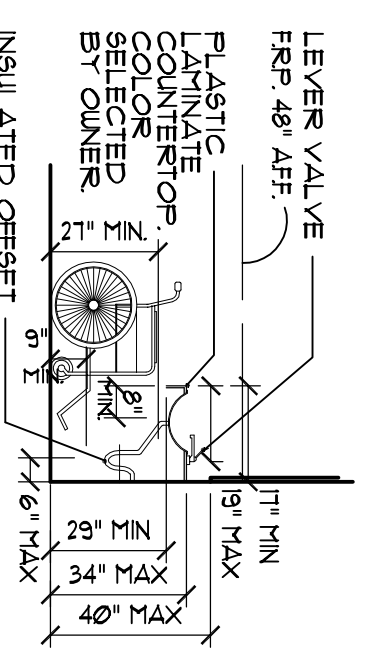
2 Elevation



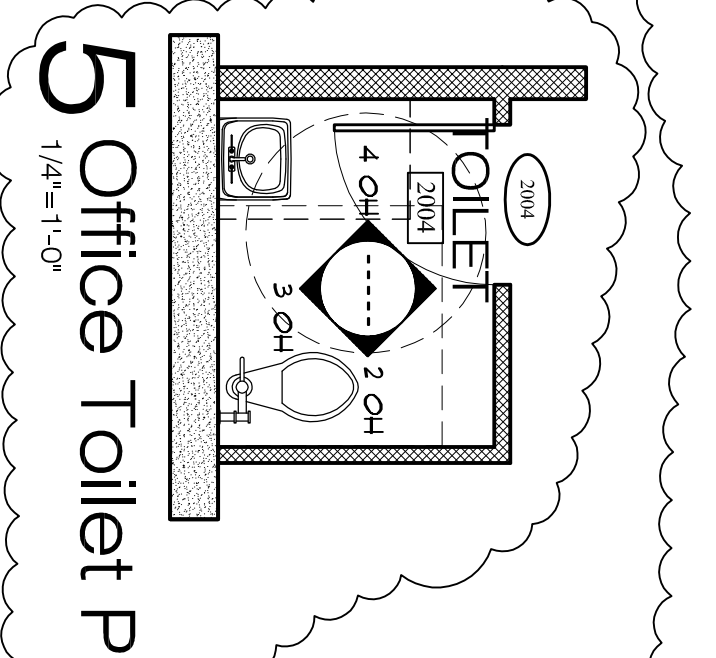
3 Elevation



4 Elevation



5 Office Toilet Plan



Permit Set

THA ARCHITECTS, LLC

ARCHITECTURE DESIGN/PLANNING/INTERIOR DESIGN
 105 WILL LOW BROOK AVENUE
 STRATHAM, NEW HAMPSHIRE 03865
 WWW.THARCH.COM
 TEL: (603) 770-2491 FAX: (603) 773-0288

These drawings and specifications were prepared for use at the location indicated. In addition and use as expressly limited to the named location or in part is prohibited without the written permission of THA Architects, LLC.
 © 2016 THA Architects, LLC.

Somerset Street
Elm Street
Portland, ME

midtown Portland

Building 2
Door Schedule
Door/Frame Types
Wall/Window Types

Structural Engineer
 Becker Engineering
 MEP Engineer
 MOCabe & Associates
 FP Engineer
 MOCabe & Associates

SCALE:
 ISSUED/DRAWN BY
 FEBRUARY 8, 2016
 © THA ARCHITECTS, LLC
 REVISED/REVISION BY
 APRIL 15, 2016

JOB NO.: **15001**

SHEET NUMBER
A-6.1