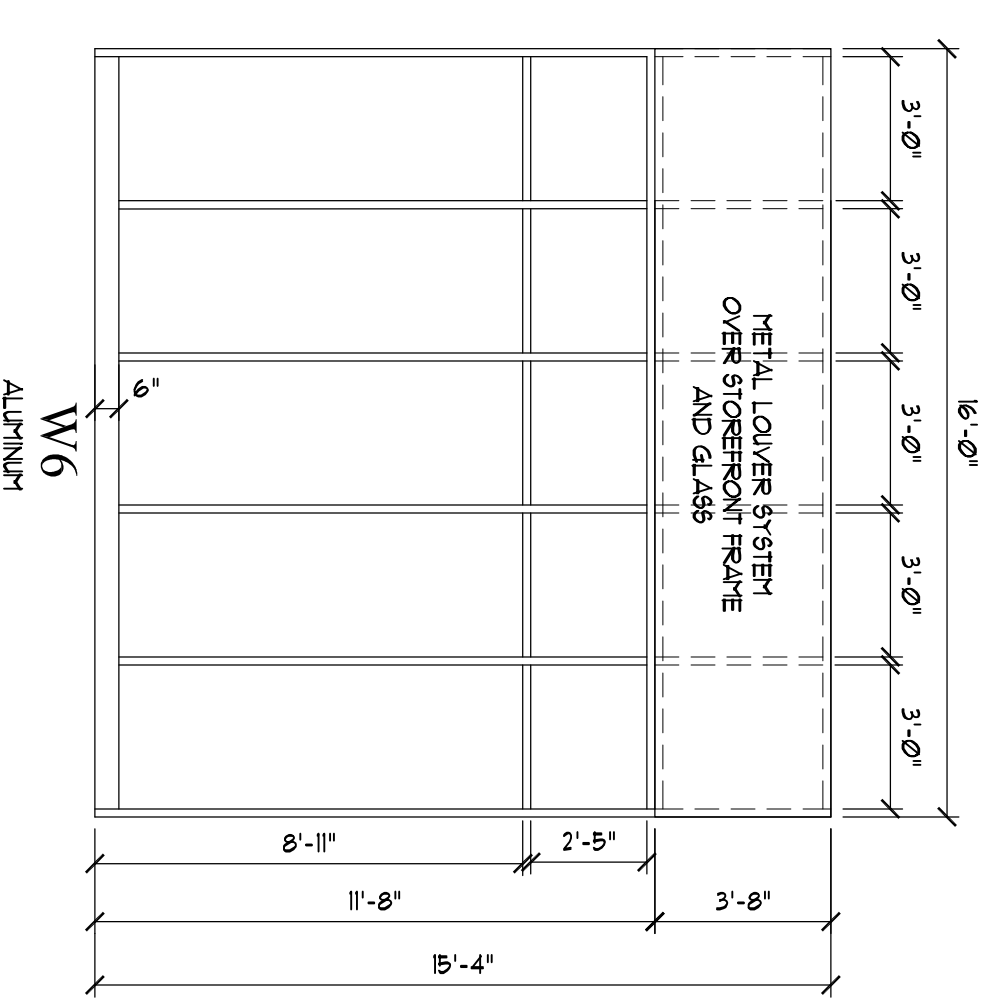
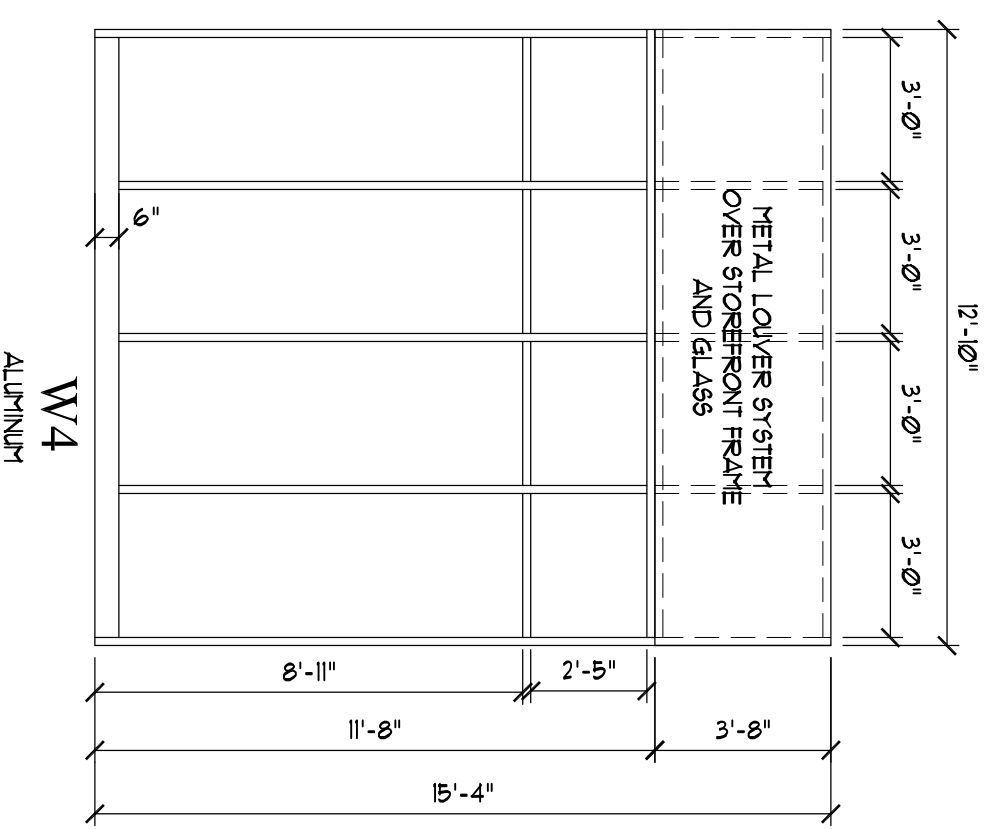
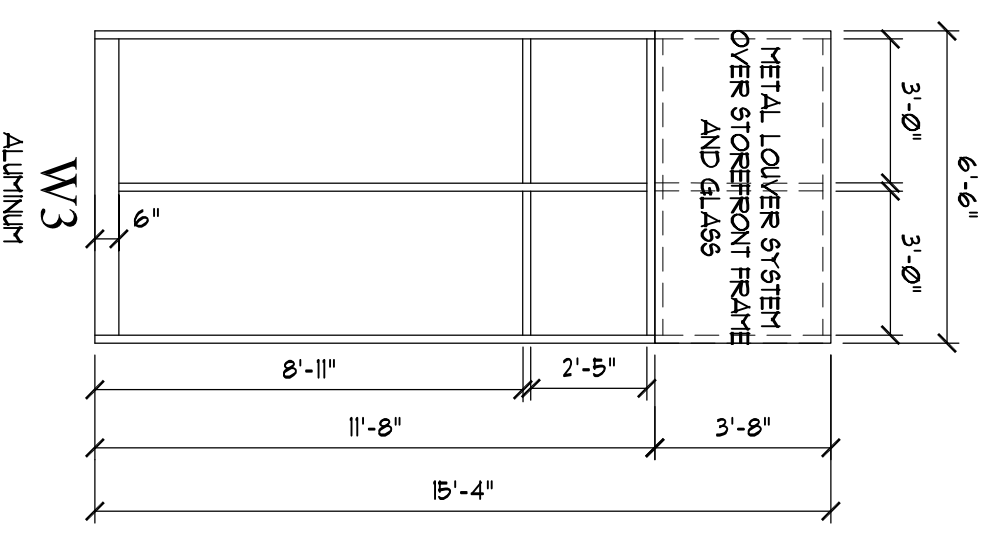
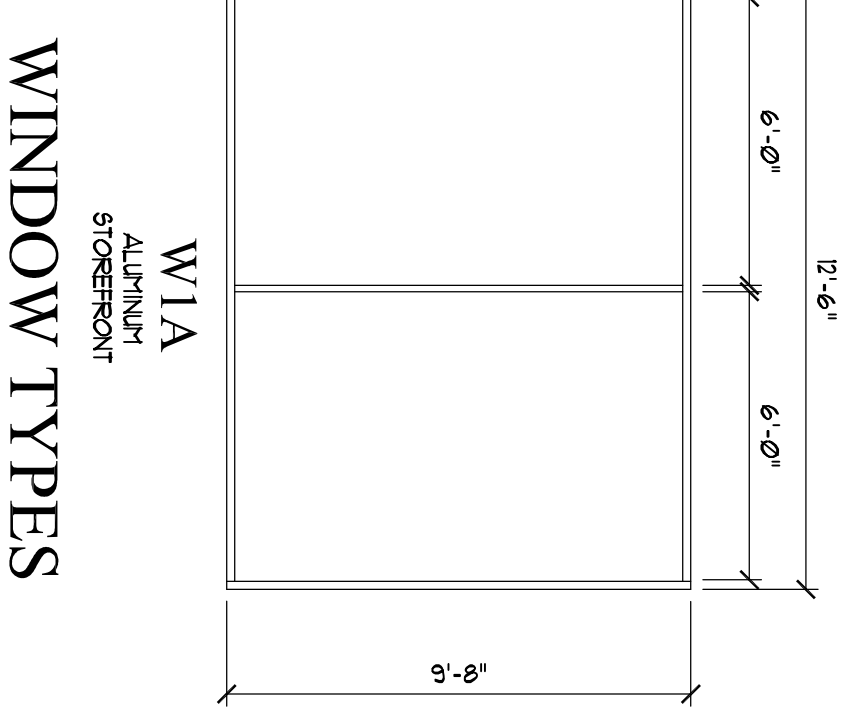
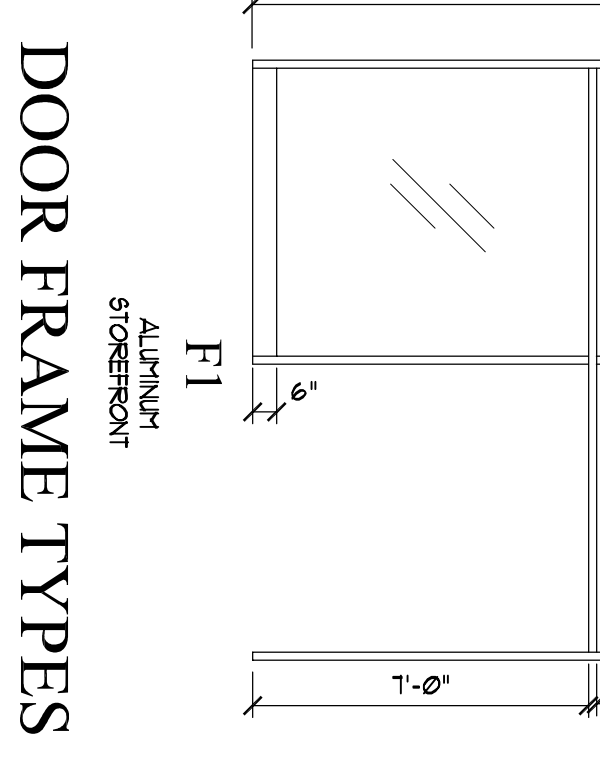
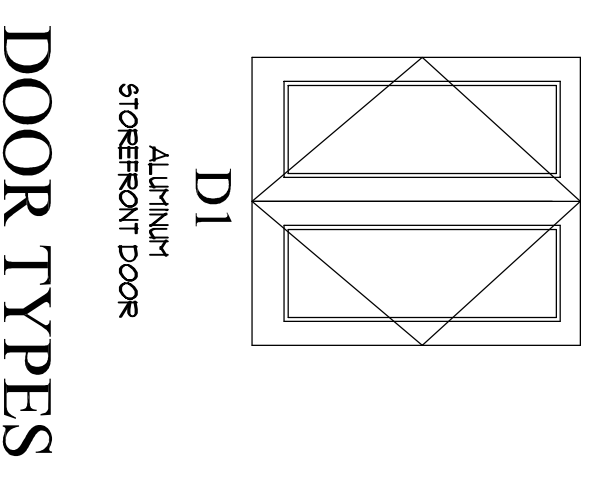


DOOR SCHEDULE

DOOR NO.	TYPE	MATERIAL	DOOR W x H x T	FINISH	FRAME TYPE	FRAME MATERIAL	FINISH	DETAILS	HWR RATING	REMARKS
2002a	D3	METAL	3'-0"X7'-0" 1/2"	PAINT	F3	METAL	PAINT		01	
2002b	D3	METAL	3'-0"X7'-0" 1/2"	PAINT	F3	METAL	PAINT		01	
2002c	D3	METAL	3'-0"X7'-0" 1/2"	PAINT	F3	METAL	PAINT		01	
2002d	D3	METAL	3'-0"X7'-0" 1/2"	PAINT	F3	METAL	PAINT		01	
2002e	D3	METAL	3'-0"X7'-0" 1/2"	PAINT	F3	METAL	PAINT		01	
2001	D1	ALUM.	(7/8" - 0"X7'-0"X7/8")	CLEAR	F1	ALUM.	CLEAR		03	
2002	D1	ALUM.	(7/8" - 0"X7'-0"X7/8")	CLEAR	F1	ALUM.	CLEAR		03	
2003	D3	METAL	3'-0"X6'-8"X1/2"	PAINT	F3	METAL	PAINT		01	
2003a	D3	METAL	3'-0"X6'-8"X1/2"	PAINT	F3	METAL	PAINT		01	
2004	D3	METAL	3'-0"X6'-8"X1/2"	PAINT	F3	METAL	PAINT		01	
2005	D3	METAL	3'-0"X6'-8"X1/2"	PAINT	F3	METAL	PAINT		01	
3001	D3	METAL	3'-0"X6'-8"X1/2"	PAINT	F3	METAL	PAINT		01	
3002	D3	METAL	3'-0"X6'-8"X1/2"	PAINT	F3	METAL	PAINT		01	
4001	D3	METAL	3'-0"X6'-8"X1/2"	PAINT	F3	METAL	PAINT		01	
4002	D3	METAL	3'-0"X6'-8"X1/2"	PAINT	F3	METAL	PAINT		01	
5001	D3	METAL	3'-0"X6'-8"X1/2"	PAINT	F3	METAL	PAINT		01	
5002	D3	METAL	3'-0"X6'-8"X1/2"	PAINT	F3	METAL	PAINT		01	
6001	D3	METAL	3'-0"X6'-8"X1/2"	PAINT	F3	METAL	PAINT		01	
6002	D3	METAL	3'-0"X6'-8"X1/2"	PAINT	F3	METAL	PAINT		01	
7002	D3	METAL	3'-0"X6'-8"X1/2"	PAINT	F3	METAL	PAINT		01	
7003	D3	METAL	3'-0"X6'-8"X1/2"	PAINT	F3	METAL	PAINT		01	
7004	D3	METAL	3'-0"X6'-8"X1/2"	PAINT	F3	METAL	PAINT		01	
8001	D3	METAL	3'-0"X6'-8"X1/2"	PAINT	F3	METAL	PAINT		01	
8002	D3	METAL	3'-0"X6'-8"X1/2"	PAINT	F3	METAL	PAINT		01	
8003	D3	METAL	4'-0"X6'-8"X1/2"	PAINT	F3	METAL	PAINT		01	

- NOTES:
- PROVIDE TEMPERED GLASS AT ALL GLAZING PANELS BELOW BY AFF. NOTE FULL GLASS DOORS WITH SILL BELOW BY AFF. WILL REQUIRE A TEMPERING OF ENTIRE PANEL.
 - PROVIDE INSULATED STOREROOM DOOR GLASS AND PLAYERS AT EXTERIOR LOCATIONS TYPICAL REFER TO FLOOR PLANS FOR LOCATIONS.
 - SCHEDULES TO HAVE THE INTERNAL TANK LOCATIONS AS INDICATED IN SCHEDULE.
 - PROVIDE FLOOR DOOR STOPS WHERE EVER DOOR HANDLE CONTACTS ANOTHER SURFACE WHERE FLOOR STOPS ARE NOT FEASIBLE PROVIDE WALL STOP.
 - SOLID WEATHER STRIPPING SEAL AT ALL ENTRIES INCLUDING WHERE DOUBLE DOORS MEET.
 - DOORS MEET CONTRACTORS TO FIELD VERIFY ALL DIMENSIONS IN THE FIELD PRIOR TO INSTALLATION AND REPORT TO THE ARCHITECT.

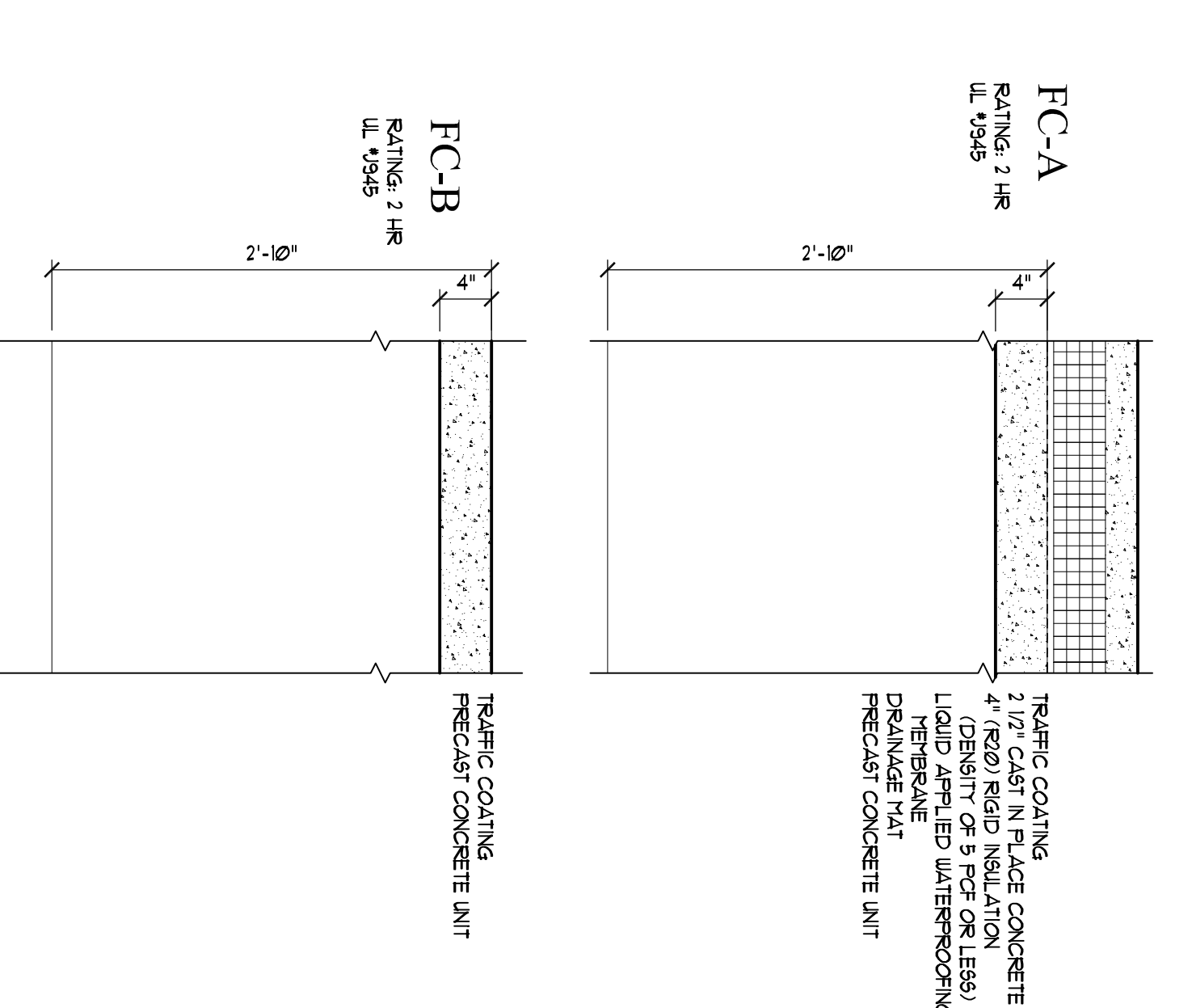
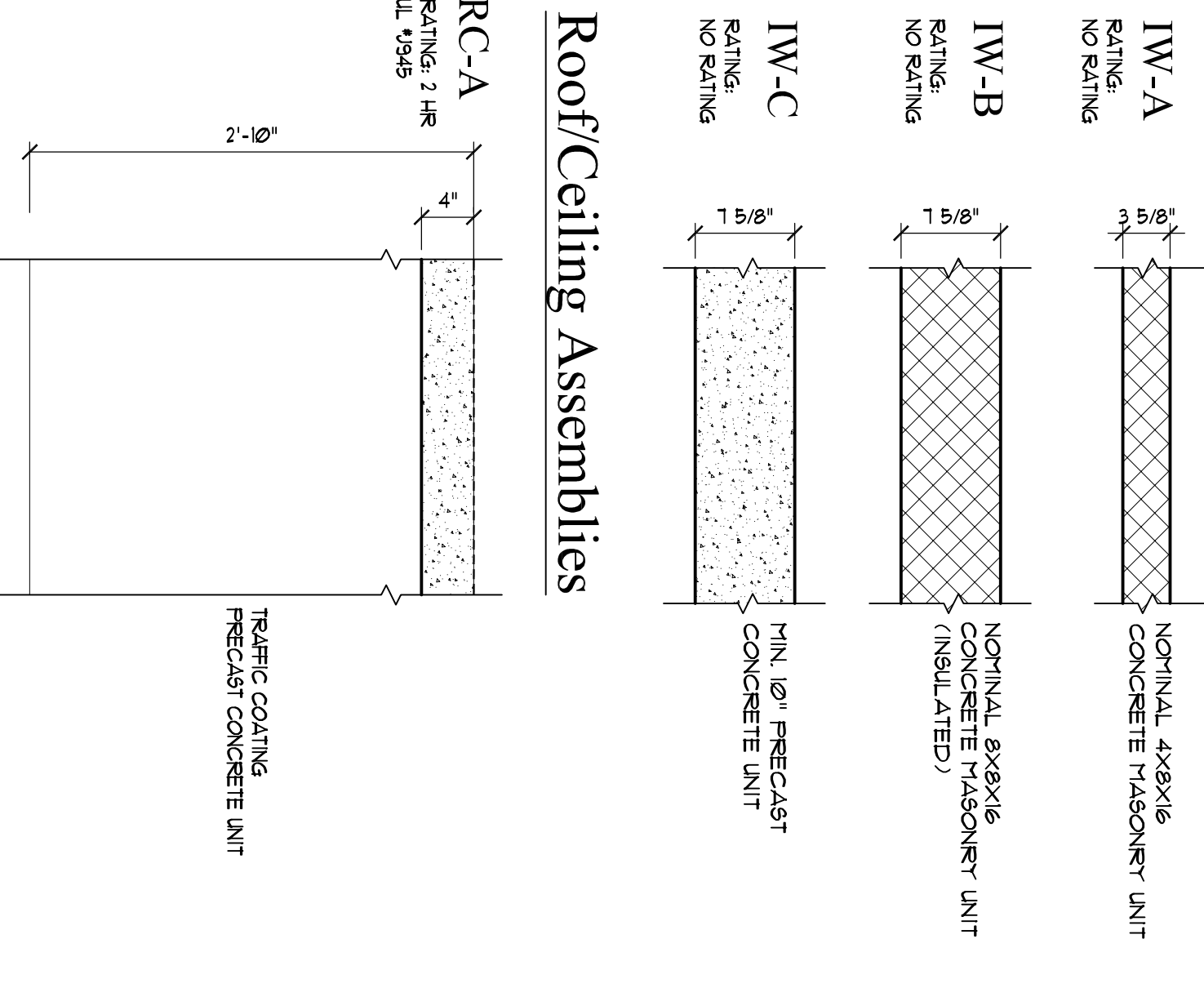
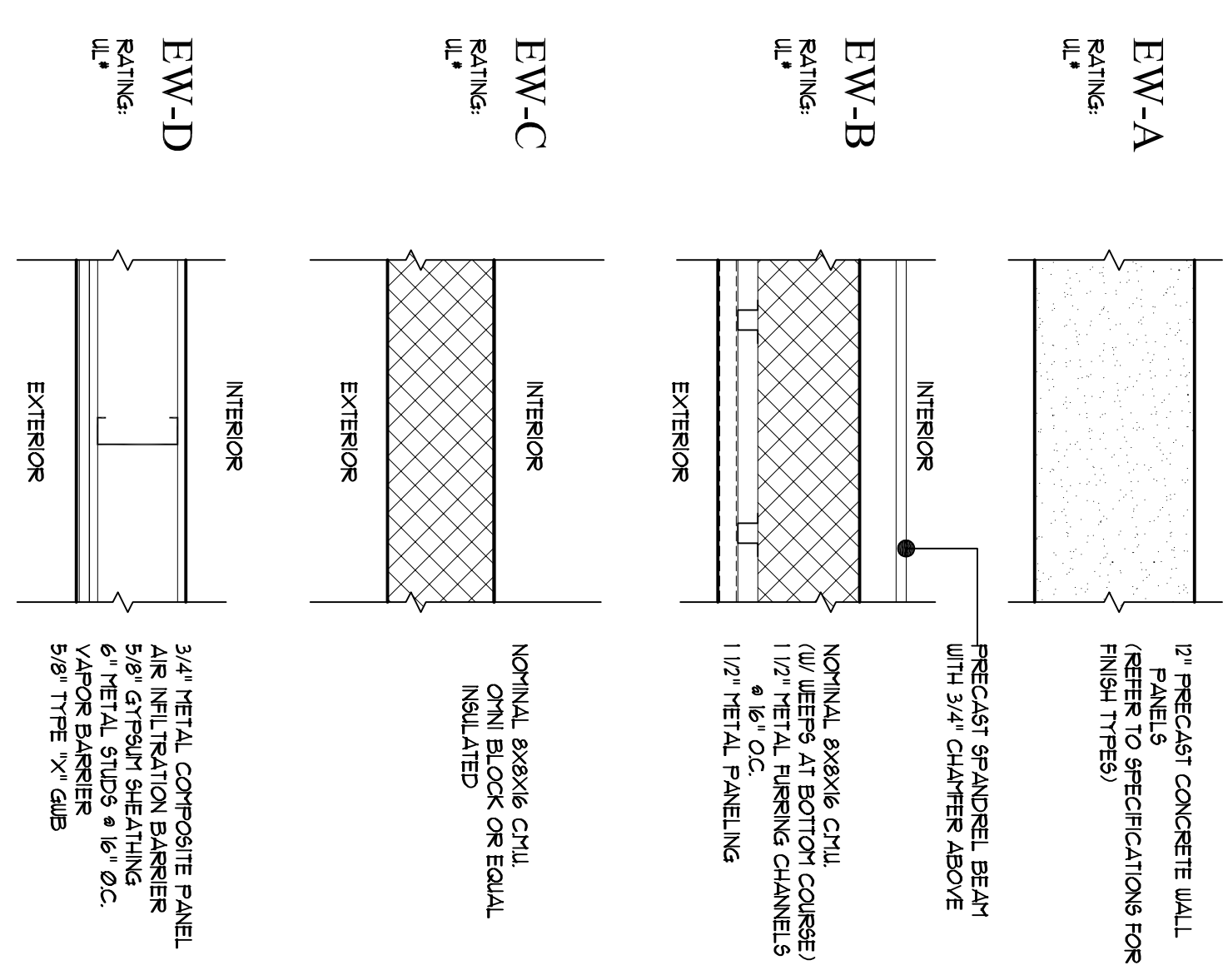


DOOR SCHEDULE

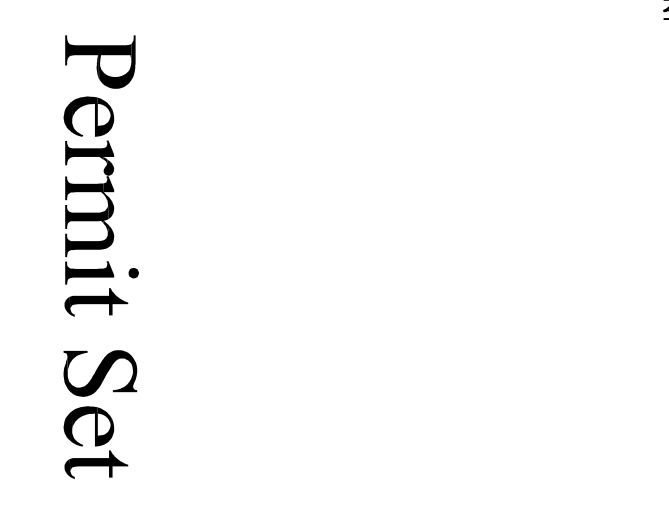
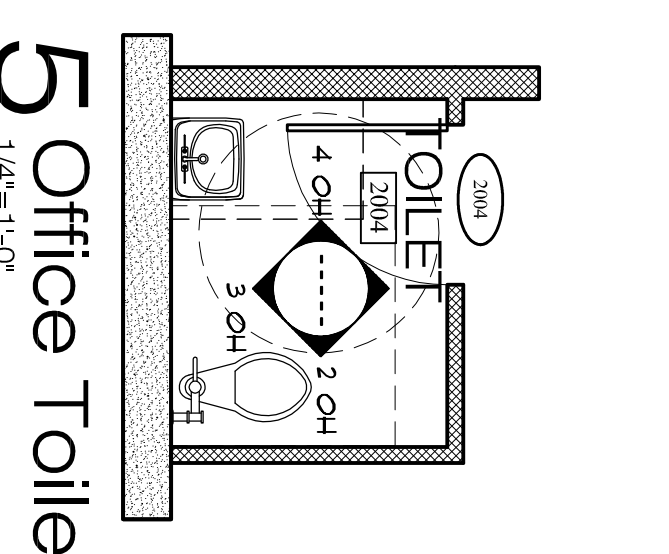
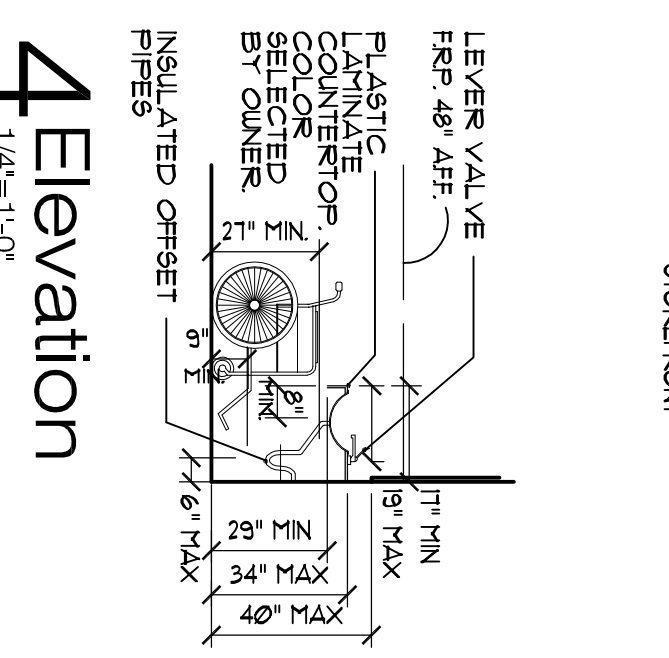
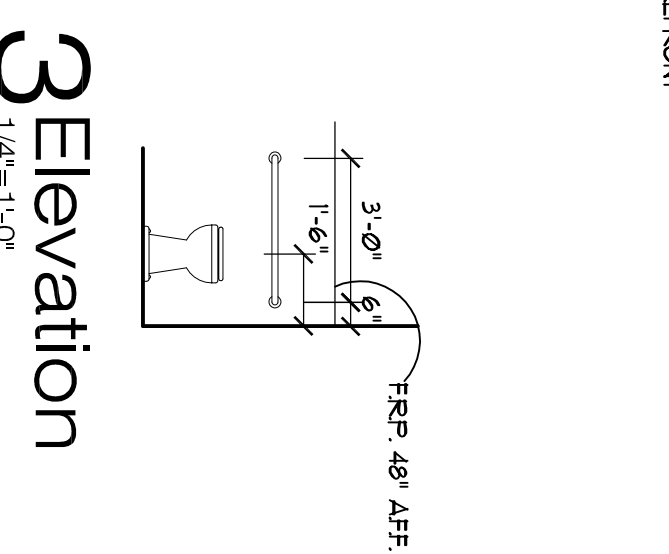
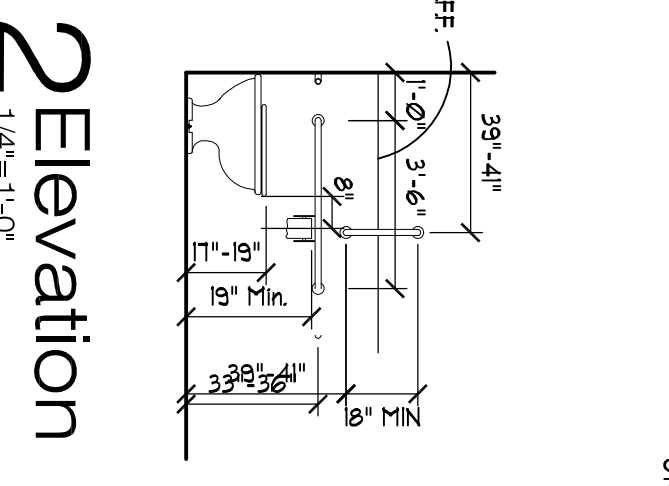
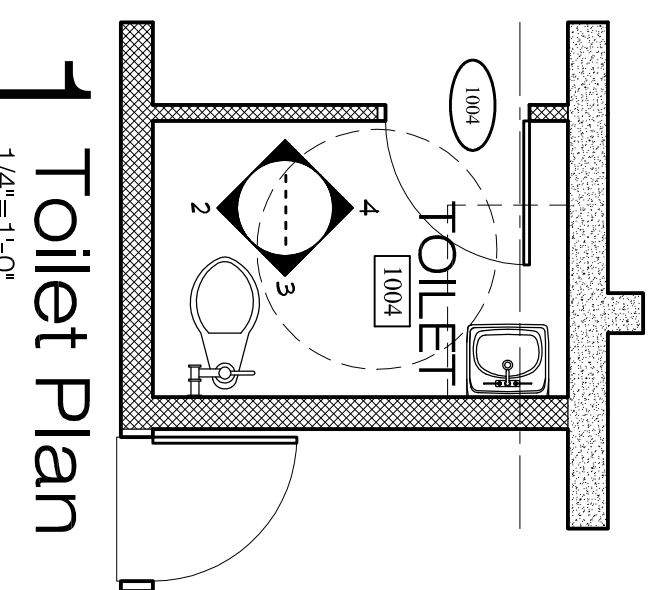
Exterior Walls

Interior Walls

Floor/Ceiling Assemblies



REFER TO SHEET A-03 SPECIFICATIONS SECTION 8 FOR DOORS AND WINDOWS PARAGRAPH B FOR WINDOW UNITS



THA ARCHITECTS, LLC
ARCHITECTURE DESIGN/PLANNING/INTERIOR DESIGN
105 WILL LOW BROOK AVENUE
SOUTHAM, NEW HAMPSHIRE 03885
Tel: (603) 770-2491 Fax: (603) 773-0288
www.thaarch.com

These drawings and specifications were prepared for use at the location indicated. In addition and use as expressed) limited to the named location or in part is prohibited without the written permission of THA Architects, LLC.
© 2016 THA Architects, LLC.

Somerset Street
Elm Street
Portland, ME

Building 2
Door Schedule
Door/Frame Types
Wall/Window Types

Structural Engineer
Becker Engineering
MEP Engineer
MOCabe & Associates
FP Engineer
MOCabe & Associates

SCALE:
ISSUED/DRAWN BY
February 8, 2016
REVISIONS/REVISED BY
April 13, 2016
June 2, 2016

JOB NO.: **15001**
SHEET NUMBER
A-6.1