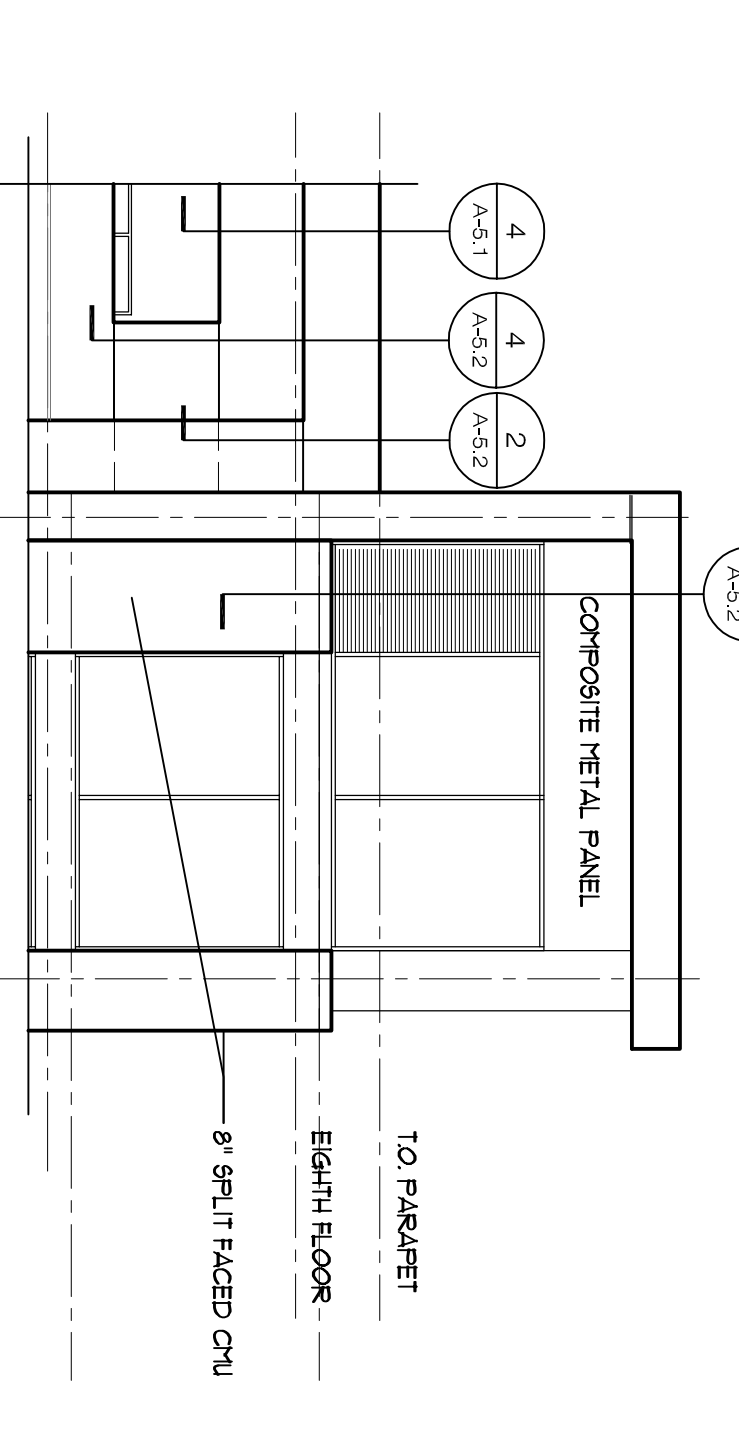
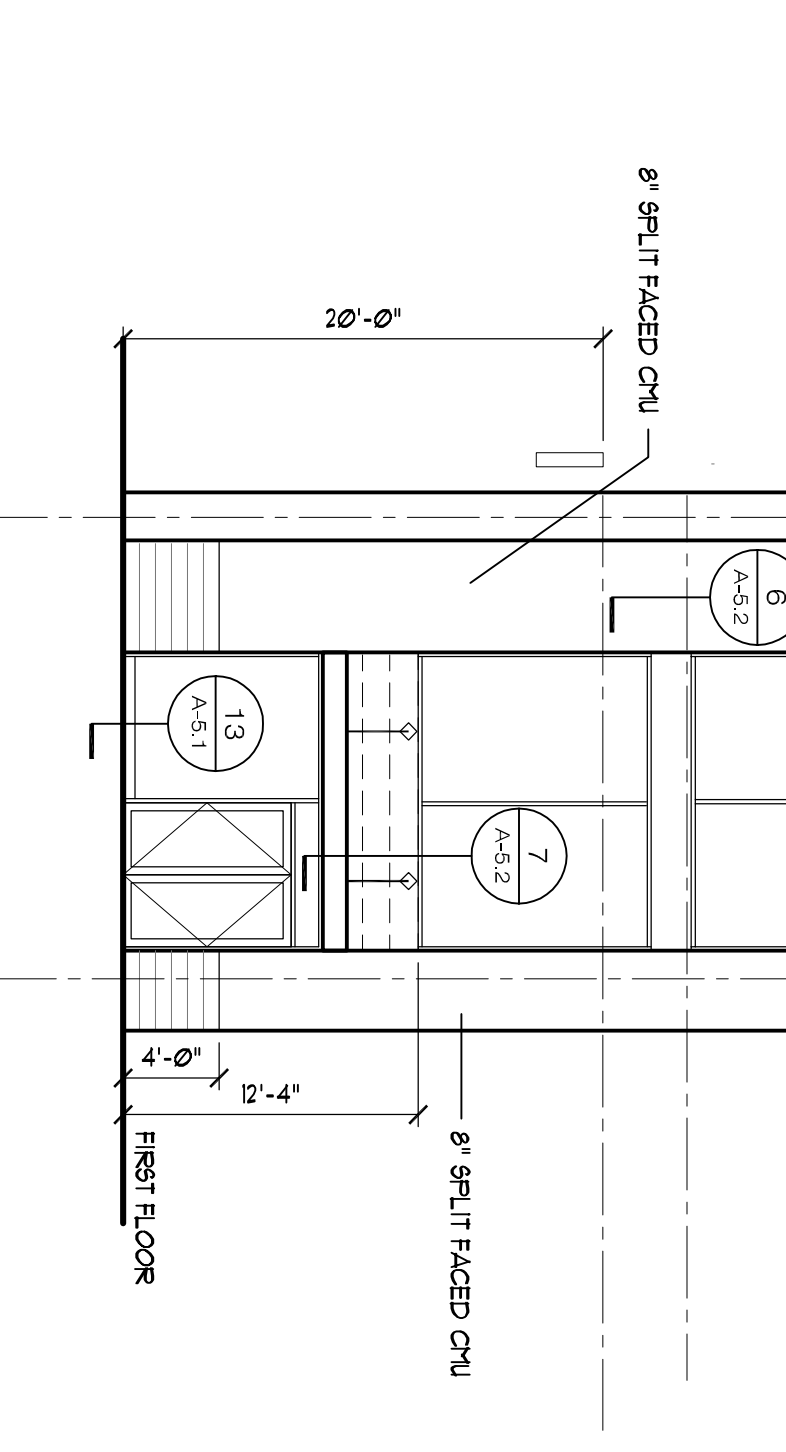


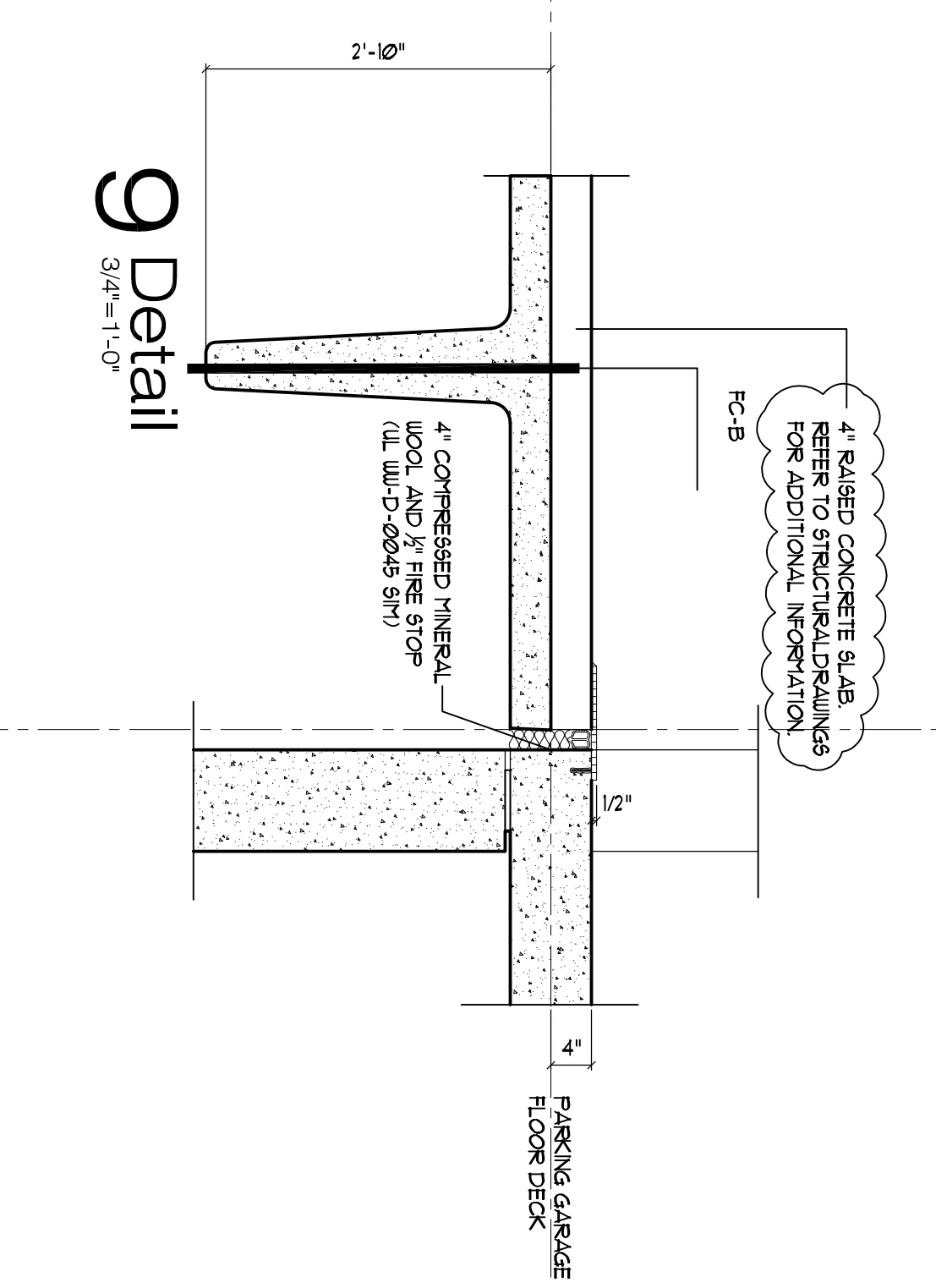
**1 Typical Stair Tower Plan**  
1/8"=1'-0"



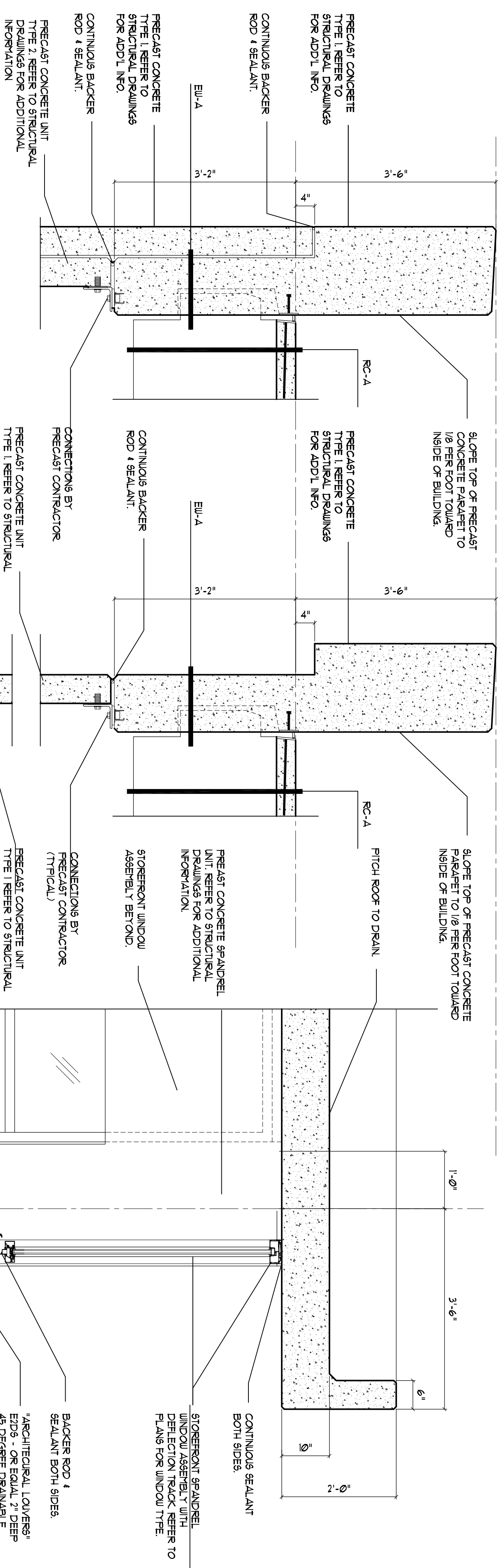
**3 Partial Stair Tower Elevation**  
1/8"=1'-0"



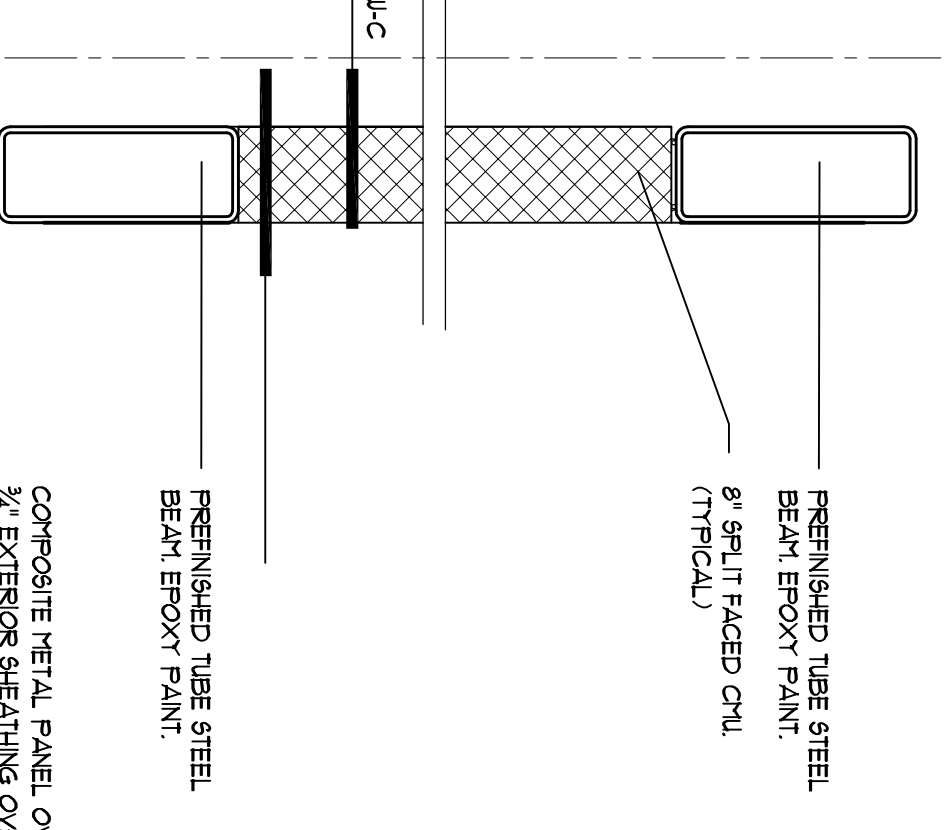
**5 Partial Stair Tower Elevation**  
1/8"=1'-0"



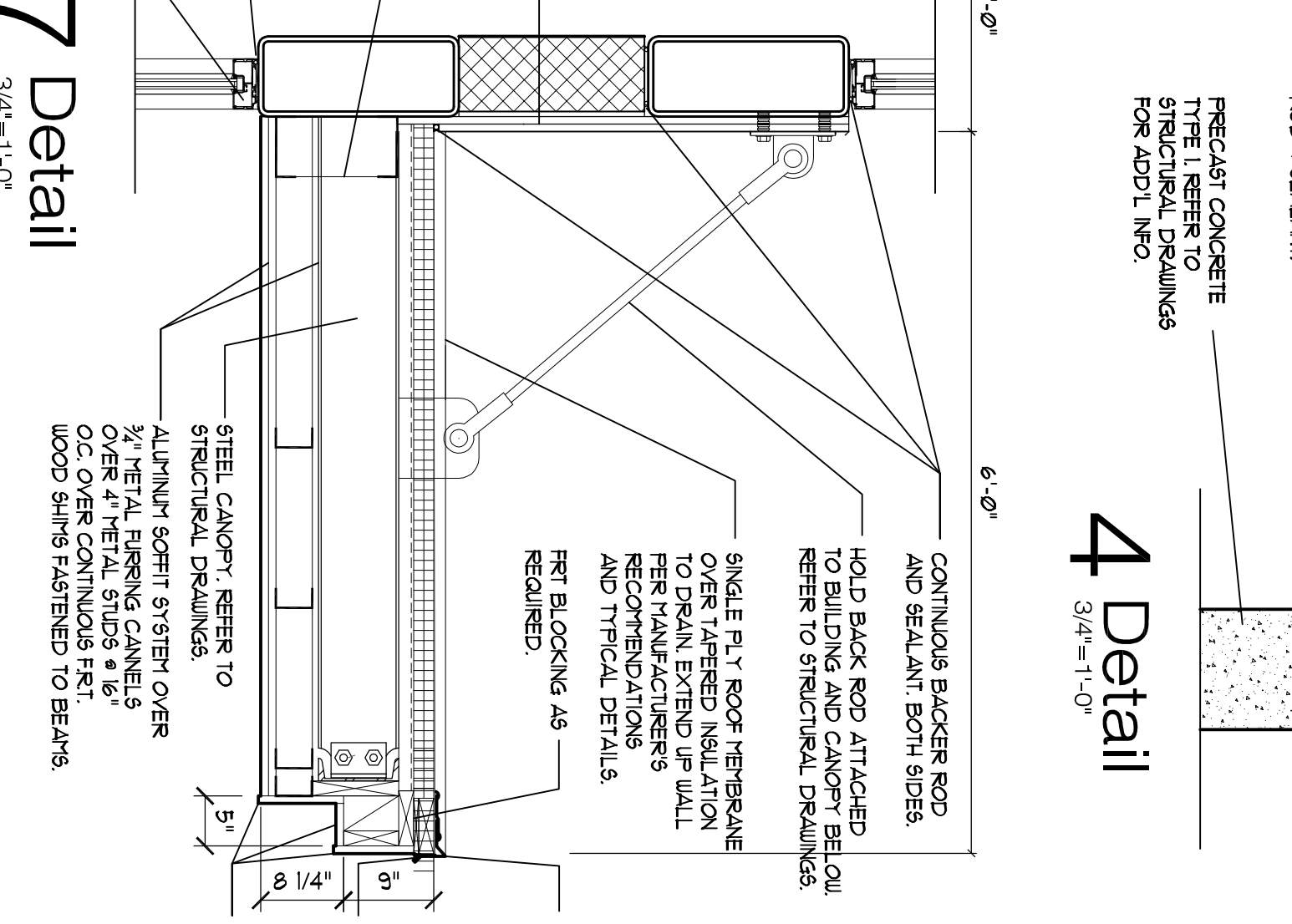
**9 Detail**  
3/4"=1'-0"



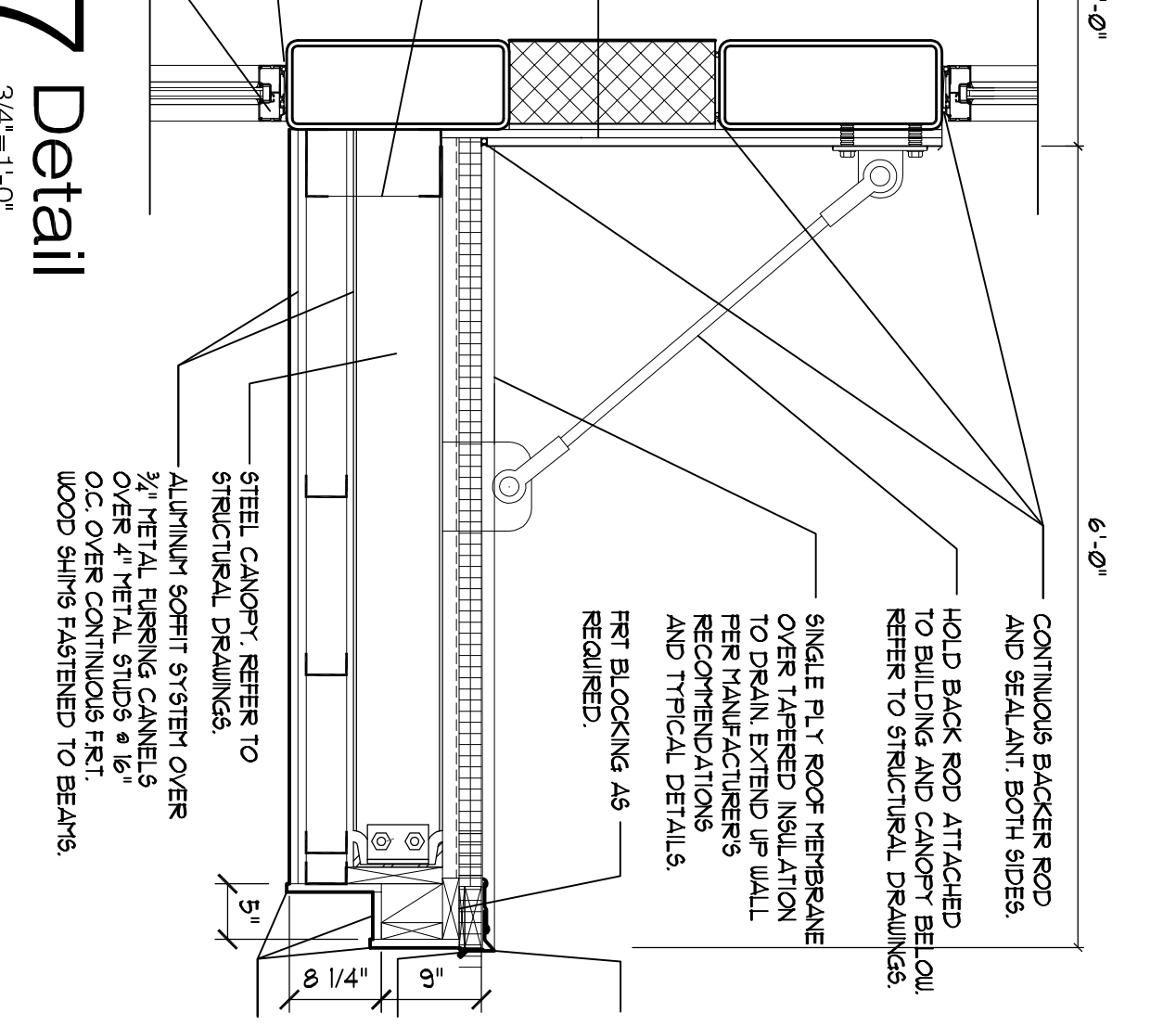
**2 Detail**  
3/4"=1'-0"



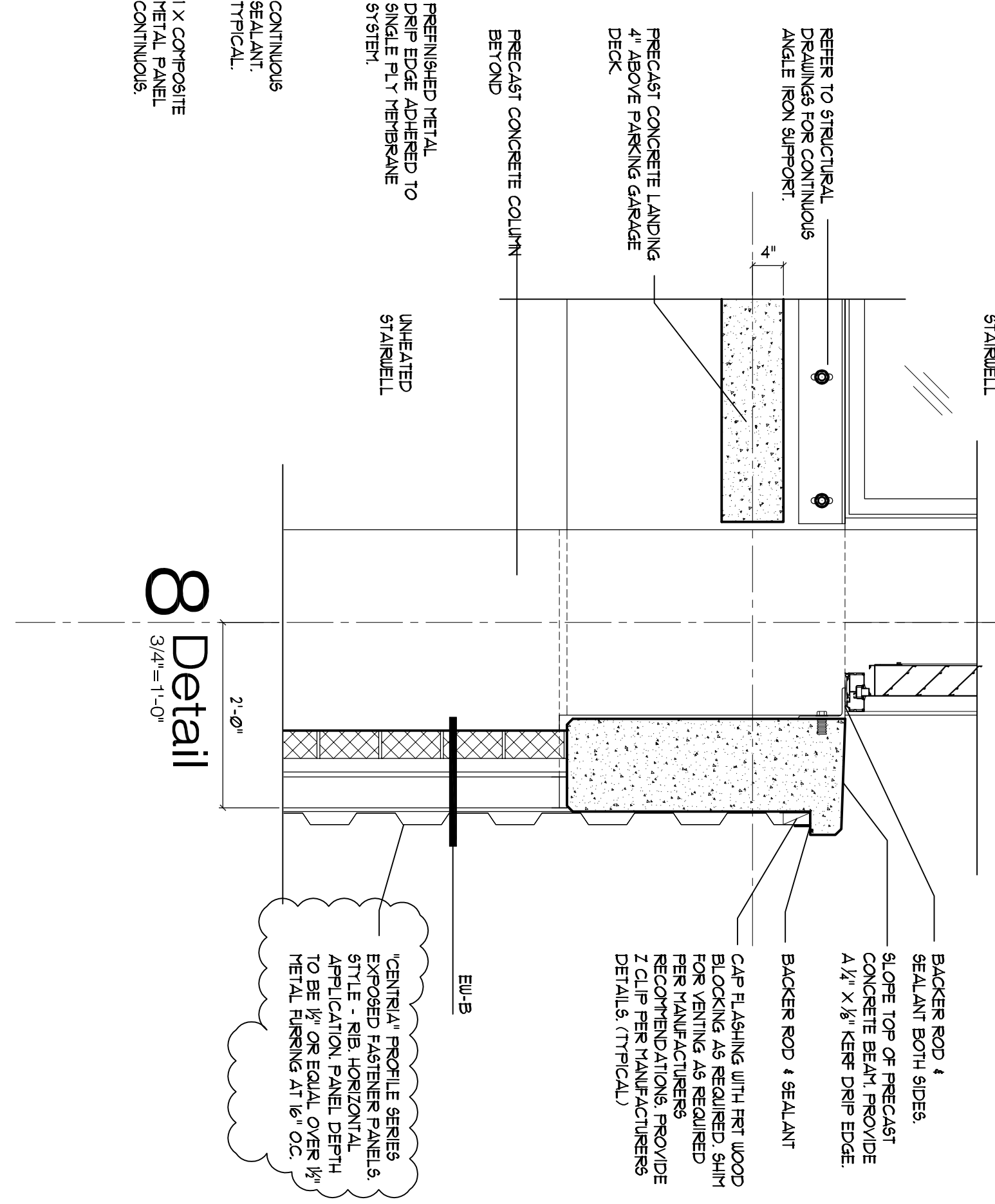
**6 Detail**  
3/4"=1'-0"



**4 Detail**  
3/4"=1'-0"



**7 Detail**  
3/4"=1'-0"



**8 Detail**  
3/4"=1'-0"

**THA ARCHITECTS, LLC**  
ARCHITECTURE DESIGN PLANNING INTERIOR DESIGN  
105 WILL LOW BROOK AVENUE  
SOUTHAM NEW HAMPSHIRE 03865  
Tel: (603) 770-2491 Fax: (603) 773-0288  
www.thaarc.com

These drawings and specifications were prepared for use at the location indicated. Publication and use in any other location without the written permission of THA Architects, LLC.  
© 2016 THA Architects, LLC.

UNLICENSED ARCHITECT  
THA ARCHITECTS, LLC  
HOUSE NO. 3705  
STATE OF MAINE

BACKER ROD 1  
SEALANT BOTH SIDES.  
SLOPE TOP OF PRECAST CONCRETE BEYOND 4 1/2" X 1/2" KEYS DRIP EDGE.

BACKER ROD 1  
SEALANT BOTH SIDES.  
45 DEGREE DRAINABLE BLADE EXCLUDED ALUMINUM GLAZING TO BEAT PROVIDE INSECT SCREENS.

PRECAST CONCRETE UNIT REFER TO STRUCTURAL DRAWINGS FOR ADDITIONAL INFORMATION.

CONNECTIONS BY PRECAST CONTRACTOR (TYPICAL)

PRECAST CONCRETE SPANDREL WINDOW ASSEMBLY WITH DEFLECTION TRACK REFER TO PLANS FOR WINDOW TYPE.

CONTINUOUS SEALANT BOTH SIDES.

STOBERONT SPANDREL WINDOW ASSEMBLY WITH DEFLECTION TRACK REFER TO PLANS FOR WINDOW TYPE.

PRECAST CONCRETE SPANDREL UNIT REFER TO STRUCTURAL DRAWINGS FOR ADDITIONAL INFORMATION.

PITCH ROOF TO DRAIN.

SLOPE TOP OF PRECAST CONCRETE PARAPET TO 1/8 PER FOOT TOWARD INSIDE OF BUILDING.

PRECAST CONCRETE TTYE I REFER TO STRUCTURAL DRAWINGS FOR ADDL INFO.

CONTINUOUS BACKER ROD & SEALANT.

PRECAST CONCRETE TTYE I REFER TO STRUCTURAL DRAWINGS FOR ADDL INFO.

PRECAST CONCRETE TTYE II REFER TO STRUCTURAL DRAWINGS FOR ADDL INFO.

PRECAST CONCRETE TTYE III REFER TO STRUCTURAL DRAWINGS FOR ADDL INFO.

PRECAST CONCRETE TTYE IV REFER TO STRUCTURAL DRAWINGS FOR ADDL INFO.

PRECAST CONCRETE TTYE V REFER TO STRUCTURAL DRAWINGS FOR ADDL INFO.

PRECAST CONCRETE TTYE VI REFER TO STRUCTURAL DRAWINGS FOR ADDL INFO.

PRECAST CONCRETE TTYE VII REFER TO STRUCTURAL DRAWINGS FOR ADDL INFO.

PRECAST CONCRETE TTYE VIII REFER TO STRUCTURAL DRAWINGS FOR ADDL INFO.

PRECAST CONCRETE TTYE IX REFER TO STRUCTURAL DRAWINGS FOR ADDL INFO.

PRECAST CONCRETE TTYE X REFER TO STRUCTURAL DRAWINGS FOR ADDL INFO.

PRECAST CONCRETE TTYE XI REFER TO STRUCTURAL DRAWINGS FOR ADDL INFO.

PRECAST CONCRETE TTYE XII REFER TO STRUCTURAL DRAWINGS FOR ADDL INFO.

PRECAST CONCRETE TTYE XIII REFER TO STRUCTURAL DRAWINGS FOR ADDL INFO.

PRECAST CONCRETE TTYE XIV REFER TO STRUCTURAL DRAWINGS FOR ADDL INFO.

PRECAST CONCRETE TTYE XV REFER TO STRUCTURAL DRAWINGS FOR ADDL INFO.

PRECAST CONCRETE TTYE XVI REFER TO STRUCTURAL DRAWINGS FOR ADDL INFO.

PRECAST CONCRETE TTYE XVII REFER TO STRUCTURAL DRAWINGS FOR ADDL INFO.

PRECAST CONCRETE TTYE XVIII REFER TO STRUCTURAL DRAWINGS FOR ADDL INFO.

PRECAST CONCRETE TTYE XIX REFER TO STRUCTURAL DRAWINGS FOR ADDL INFO.

PRECAST CONCRETE TTYE XX REFER TO STRUCTURAL DRAWINGS FOR ADDL INFO.

PRECAST CONCRETE TTYE XXI REFER TO STRUCTURAL DRAWINGS FOR ADDL INFO.

PRECAST CONCRETE TTYE XXII REFER TO STRUCTURAL DRAWINGS FOR ADDL INFO.

PRECAST CONCRETE TTYE XXIII REFER TO STRUCTURAL DRAWINGS FOR ADDL INFO.

PRECAST CONCRETE TTYE XXIV REFER TO STRUCTURAL DRAWINGS FOR ADDL INFO.

PRECAST CONCRETE TTYE XXV REFER TO STRUCTURAL DRAWINGS FOR ADDL INFO.

PRECAST CONCRETE TTYE XXVI REFER TO STRUCTURAL DRAWINGS FOR ADDL INFO.

PRECAST CONCRETE TTYE XXVII REFER TO STRUCTURAL DRAWINGS FOR ADDL INFO.

PRECAST CONCRETE TTYE XXVIII REFER TO STRUCTURAL DRAWINGS FOR ADDL INFO.

PRECAST CONCRETE TTYE XXIX REFER TO STRUCTURAL DRAWINGS FOR ADDL INFO.

PRECAST CONCRETE TTYE XXX REFER TO STRUCTURAL DRAWINGS FOR ADDL INFO.

Structural Engineer  
**Becker Engineering**  
MEP Engineer  
**MCCabe & Associates**  
FP Engineer  
**MCCabe & Associates**

SCALE:  
ISSUED / DRAWN BY  
February 8, 2016  
REVISED / REVISED BY  
April 13, 2016

JOB NO.: **15001**

SHEET NUMBER  
**A-5.2**

Somerset Street  
Elm Street  
Portland, ME  
Building 2  
Details