

89.8 SQ FT

INTERNALLY ILLUMINATED (WHITE LED) LETTERS AND LOGO ON FABRICATED ALUMINUM RACEWAYS;
 PAINT RACEWAYS AKZO [408D1] TO MATCH MOUNTING SURFACE

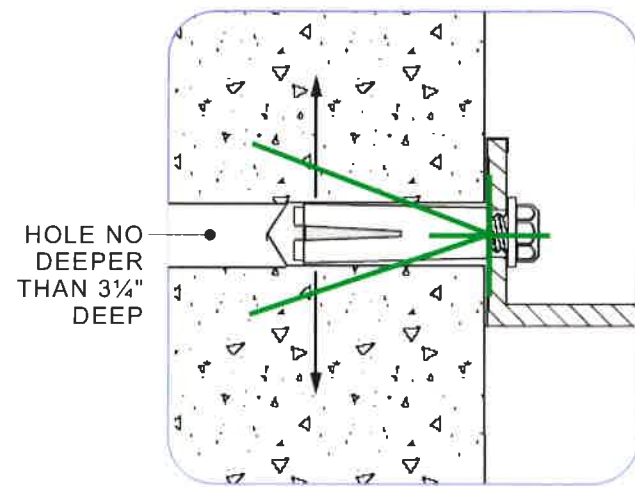
LETTERS: 3/16" THICK TRANSLUCENT WHITE FACES; 1" BLUE TRIM CAP & RETURNS

LOGO: 3/16" THICK TRANSLUCENT WHITE FACES; GSP TRANS DELFT BLUE [230-97] VINYL ON FACE;
 1" WHITE TRIM CAP & RETURNS

POWER SUPPLIES IN RACEWAYS; OWNER TO SUPPLY PRIMARY ELECTRICAL TO SIGN LOCATION

10134.2: INT. ILLUM. LETTERS ON RACEWAYS AND LOGO

SCALE: 3/8" = 1'-0" (2) SETS REQUIRED



HOLE NO DEEPER THAN 3/4" DEEP

LOK-BOLT™ ANCHORING SYSTEM AS MFG BY POWERS FASTENERS, NEW ROCHELLE, NY OR EQUAL:

A PRE-ASSEMBLED SINGLE UNIT SLEEVE ANCHOR FOR ANCHORING INTO SOLID AND HOLLOW CONCRETE AND MASONRY SUBSTRATES

PATENTED COMPRESSION RING PULLS FIXTURE FLUSH TO THE WORK SURFACE

AVAILABLE IN CARBON STEEL AND TYPE 304 STAINLESS STEEL; SEVERAL HEAD STYLES

SIZE RANGE: 1/4" DIA. x 5/8" TO 3/4" DIA. x 7 1/2"

SLEEVE-ANCHOR MOUNTING DETAIL
 NOT TO SCALE

(2) ANCHORS EVERY 4' OF RACEWAY

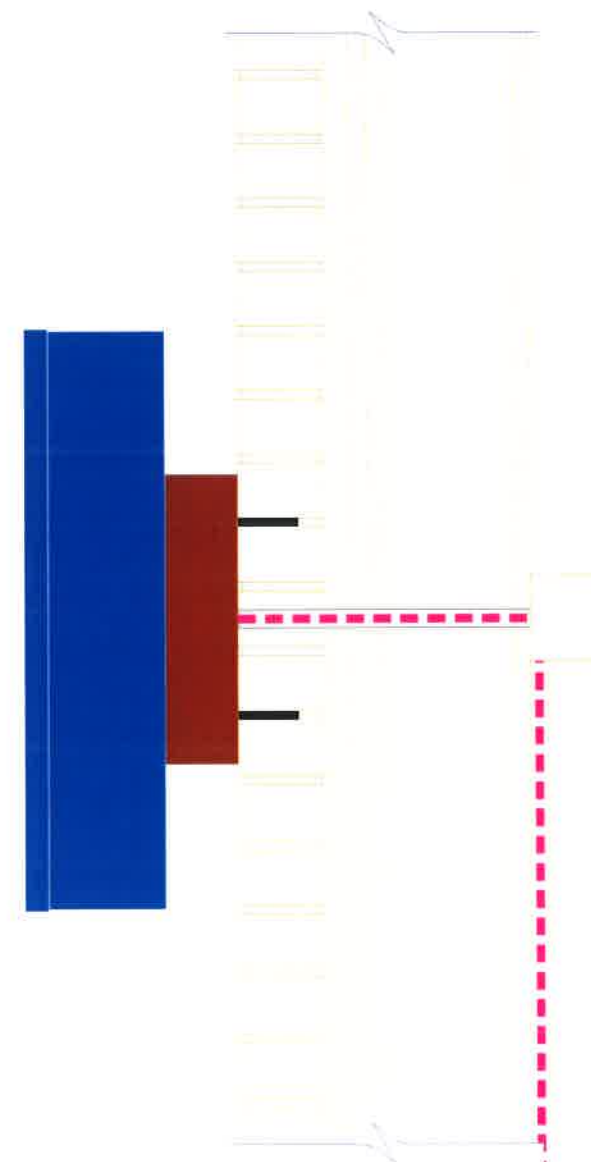
STAINLESS STEEL, NON-CORROSIVE/NON-GALVANIC ACTING ANCHORS

ANCHORS SET INTO MORTAR JOINTS, NOT INTO MASONRY FACES

DRILL HOLES NO DEEPER THAN 3/4"

SEAL ALL PENETRATIONS WITH SILICONE ADHESIVE

LETTERS MOUNTING
 SCALE: 1 1/2" = 1'-0"



Neokraft Signs Inc.
 686 Main Street
 Lewiston, Maine 04240
 Telephone: 207.782.9654
 Facsimile: 207.782.0009
 1.800.339.2258
<http://www.neokraft.com>

Custom Sign Fabrication

These plans are the exclusive property of Neokraft Signs, Inc. and are the result of the original work of its employees. They are submitted to Neokraft's client for the sole purpose of consideration of whether to purchase these plans or to purchase from Neokraft a sign manufactured according to these plans.

Distribution or exhibition of these plans to anyone other than employees of said client, or use of these plans to construct a sign similar to the one embodied herein, is expressly forbidden. In the event that such exhibition or construction occurs, Neokraft expects to be reimbursed \$1500 in compensation for time and effort entailed in creating these plans.

PERMIT

MAINE EYE CENTER
 10134.X

LOCATION: 161 MARGINAL WAY
 PORTLAND, ME

DRAWING NO.: 1 OF 3

DRAWN BY: DS REP: PM

DATE: 09.26.2016

REVISED 10.05.2016

QUOTE: @1787

GEN REF.: