



Neokraft Signs Inc  
686 Main Street  
Lewiston, Maine 04240  
Telephone: 207.782.9654  
Facsimile: 207.782.0009  
1.800.339.2258  
<http://www.neokraft.com>

October 11, 2016

Ms. Chris Stacey  
City of Portland, Zoning  
389 Congress Street  
Portland, ME 04101

RE: WAIVER REQUEST for Signage, 161 Marginal Way (Portland  
Gastroenterology, tenant)

Dear Ms. Stacey:

This letter serves as a request for a Staff Waiver from the sign illumination standard outlined in Standard E-16 of the City of Portland Design Manual. A check for \$75 is included, as requested. Specifically, we request to use *face-lit signage*, as illustrated on the attached drawings. It's our belief such signage will not detract from the character of the district, while making it easier for patients to navigate to the new practice locations. Further, because of limited behind-the-wall access, halo-lit letters (per the Standard) would require the use of a fabricated background to allow for illumination. The resulting appearance might not be in keeping with the intent of the standards.

For comparison, a photo survey of neighboring face-lit signage in this B-7 Zone is included. You'll see the proposed signage is in keeping with the scale, style and lighting of other signage on Marginal Way, some of which has been recently installed.

Sincerely,

Peter Murphy  
Neokraft Sign Company

Neokraft Signs Inc.  
686 Main Street  
Lewiston, Maine 04240  
Telephone: 207.782.9654  
Facsimile: 207.782.0009  
1.800.339.2258  
<http://www.neokraft.com>

*Custom Sign Fabrication*

These plans are the exclusive property of Neokraft Signs, Inc. and are the result of the original work of its employees. They are submitted to Neokraft's client for the sole purpose of consideration of whether to purchase these plans or to purchase from Neokraft a sign manufactured according to these plans.

Distribution or exhibition of these plans to anyone other than employees of said client, or use of these plans to construct a sign similar to the one embodied herein, is expressly forbidden. In the event that such exhibition or construction occurs, Neokraft expects to be reimbursed \$1500 in compensation for time and effort entailed in creating these plans.

**PERMIT**

**PORTLAND  
GASTROENTEROLOGY  
10139.X**

LOCATION: 161 MARGINAL WAY  
PORTLAND, ME

DRAWING NO.: 1 OF 3

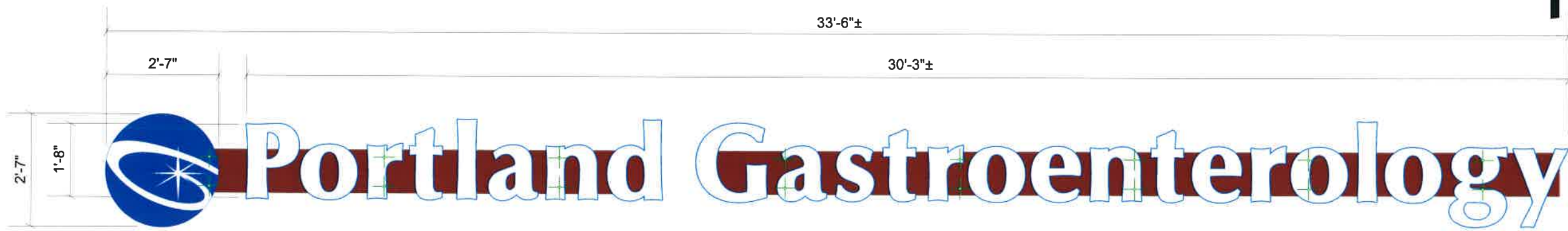
DRAWN BY: DS      REP.: PM

DATE: 09.26.2016

REVISED 10.05.2016

QUOTE: @1565|@1558|FL023296

GEN REF.: 2909 (2004)



57.1 SQ FT

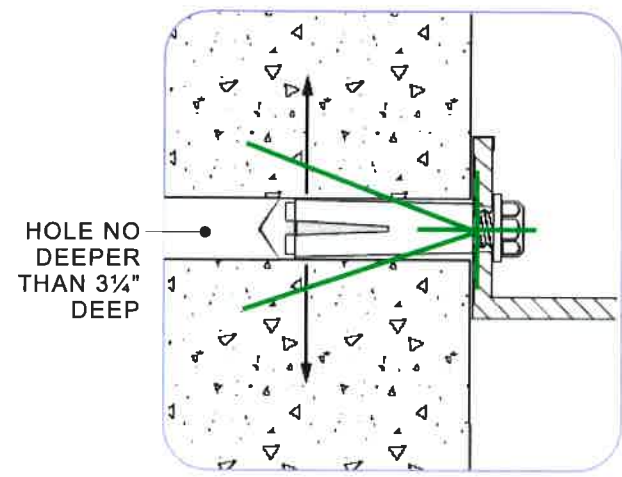
INTERNALLY ILLUMINATED (WHITE LED) LETTERS AND LOGO ON FABRICATED ALUMINUM RACEWAYS;  
PAINT RACEWAYS AKZO [408D1] TO MATCH MOUNTING SURFACE

3/16" THICK TRANSLUCENT WHITE FACES; GSP TRANS DELFT BLUE [230-97] VINYL ON LOGO;  
1" BLUE TRIM CAP & RETURNS

POWER SUPPLIES IN RACEWAYS; OWNER TO SUPPLY PRIMARY ELECTRICAL TO SIGN LOCATION

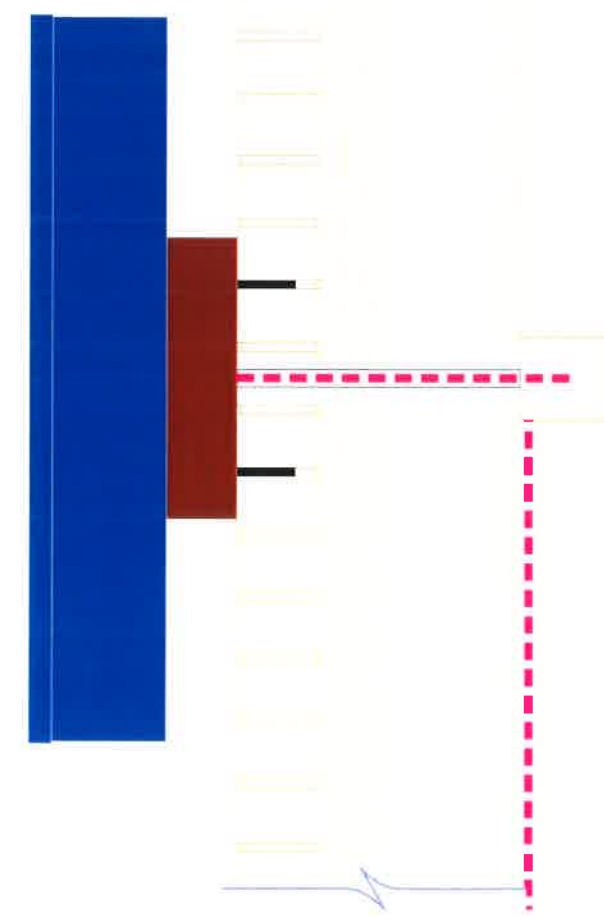
**10139.1: INT. ILLUM. LETTERS ON RACEWAYS**  
**SCALE: 3/8" = 1'-0"      (2) SETS REQUIRED**

**10139.2: INT. ILLUM. LOGO**  
**SCALE: 3/8" = 1'-0"      (2) REQUIRED**



LOK-BOLT™ ANCHORING SYSTEM AS MFG BY POWERS FASTENERS, NEW ROCHELLE, NY OR EQUAL:  
A PRE-ASSEMBLED SINGLE UNIT SLEEVE ANCHOR FOR ANCHORING INTO SOLID AND HOLLOW CONCRETE AND MASONRY SUBSTRATES  
PATENTED COMPRESSION RING PULLS FIXTURE FLUSH TO THE WORK SURFACE  
AVAILABLE IN CARBON STEEL AND TYPE 304 STAINLESS STEEL; SEVERAL HEAD STYLES  
SIZE RANGE: 1/4" DIA. x 5/8" TO 3/4" DIA. x 7 1/2"

+(2) ANCHORS EVERY 4' OF RACEWAY  
STAINLESS STEEL, NON-CORROSIVE/NON-GALVANIC ACTING ANCHORS  
ANCHORS SET INTO MORTAR JOINTS, NOT INTO MASONRY FACES  
DRILL HOLES NO DEEPER THAN 3/4"  
SEAL ALL PENETRATIONS WITH SILICONE ADHESIVE



**MOUNTING**  
**SCALE: 1 1/2" = 1'-0"**

**SLEEVE-ANCHOR MOUNTING DETAIL**  
**NOT TO SCALE**



**Neokraft Signs Inc.**  
 686 Main Street  
 Lewiston, Maine 04240  
 Telephone: 207.782.9654  
 Facsimile: 207.782.0009  
 1.800.339.2258  
<http://www.neokraft.com>

*Custom Sign Fabrication*

These plans are the exclusive property of Neokraft Signs, Inc. and are the result of the original work of its employees. They are submitted to Neokraft's client for the sole purpose of consideration of whether to purchase these plans or to purchase from Neokraft a sign manufactured according to these plans.

Distribution or exhibition of these plans to anyone other than employees of said client, or use of these plans to construct a sign similar to the one embodied herein, is expressly forbidden. In the event that such exhibition or construction occurs, Neokraft expects to be reimbursed \$1500 in compensation for time and effort entailed in creating these plans.

**PERMIT**

**PORTLAND GASTROENTEROLOGY 10139.X**

LOCATION: 161 MARGINAL WAY  
 PORTLAND, ME

DRAWING NO.: 2 OF 3

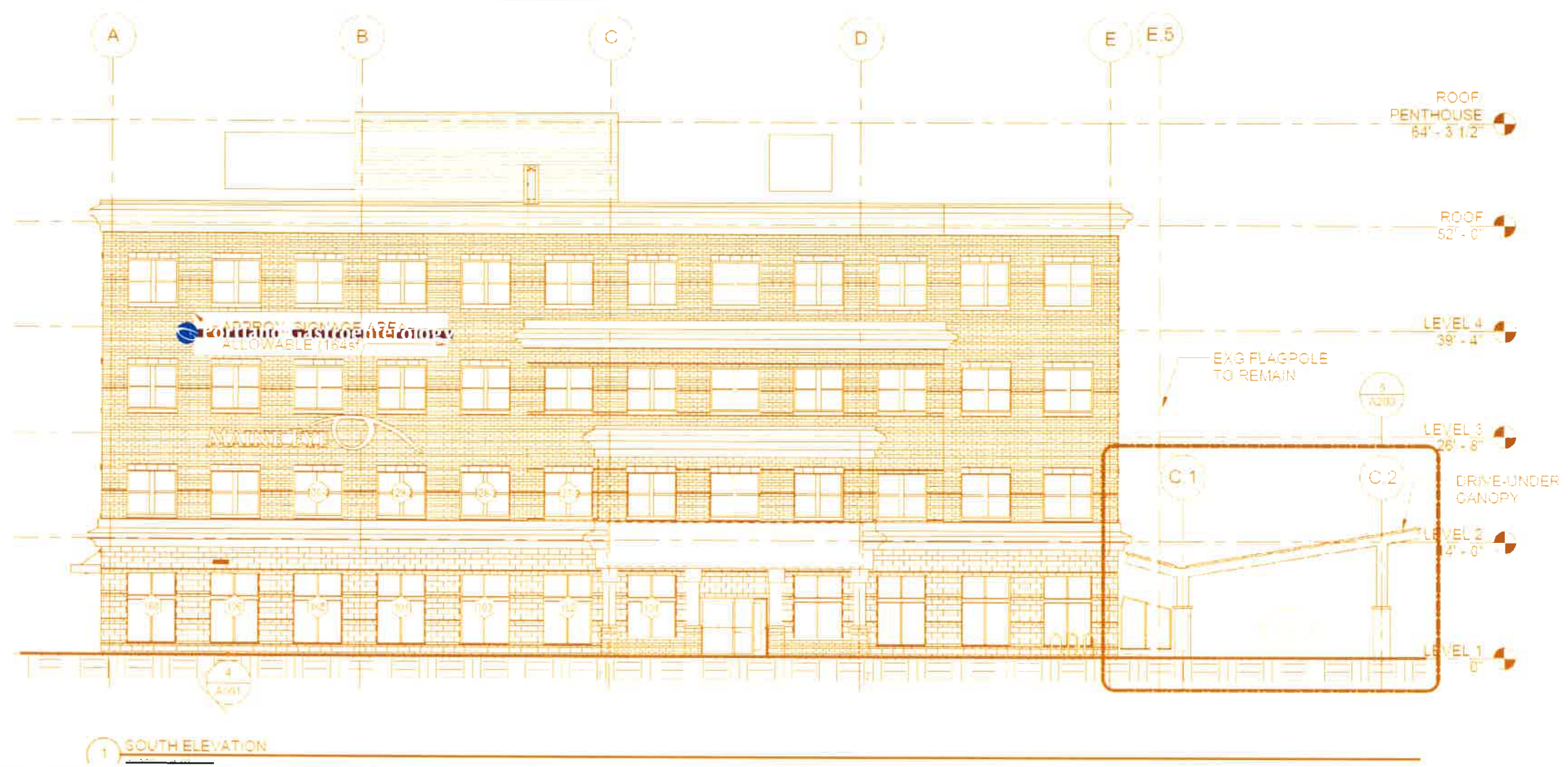
DRAWN BY: DS      REP: PM

DATE: 09.26.2016

REVISED 10.05.2016

QUOTE: @1565|@1558|FL023296

GEN REF.: 2909 (2004)



**1 SOUTH ELEVATION**

**10139.3: SOUTH ELEVATION**  
 SCALE: 1/16" = 1'-0"

**WALL ID FOR MAINE EYE CENTER TO BE ADDRESSED ON A SEPARATE APPLICATION**





**Neokraft Signs Inc.**  
 686 Main Street  
 Lewiston, Maine 04240  
 Telephone: 207.782.9654  
 Facsimile: 207.782.0009  
 1.800.339.2258  
<http://www.neokraft.com>

*Custom Sign Fabrication*

These plans are the exclusive property of Neokraft Signs, Inc. and are the result of the original work of its employees. They are submitted to Neokraft's client for the sole purpose of consideration of whether to purchase these plans or to purchase from Neokraft a sign manufactured according to these plans.

Distribution or exhibition of these plans to anyone other than employees of said client, or use of these plans to construct a sign similar to the one embodied herein, is expressly forbidden. In the event that such exhibition or construction occurs, Neokraft expects to be reimbursed \$1500 in compensation for time and effort entailed in creating these plans.

**PERMIT**

**PORTLAND GASTROENTEROLOGY 10139.X**

LOCATION: 161 MARGINAL WAY  
 PORTLAND, ME

DRAWING NO.: 3 OF 3

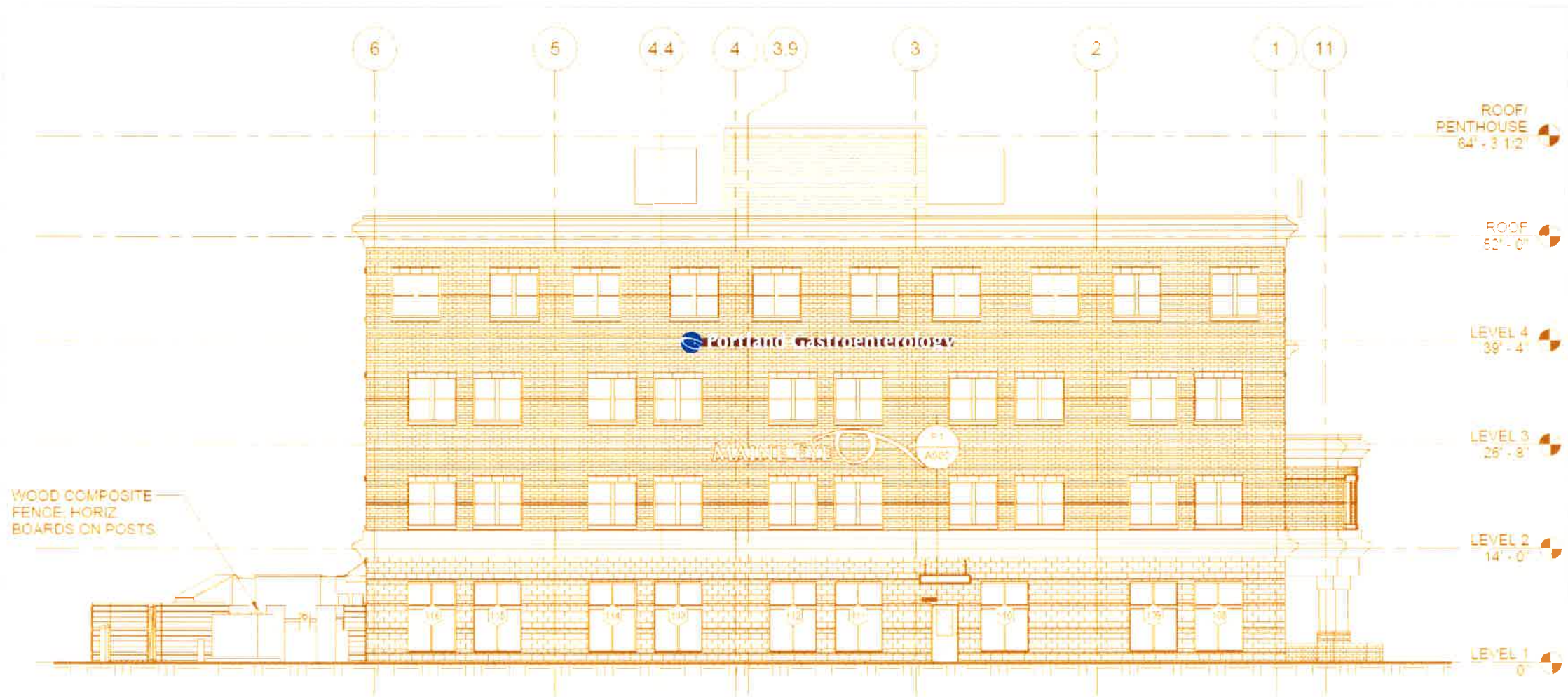
DRAWN BY: DS REP: PM

DATE: 09.26.2016

REVISED 10.05.2016

QUOTE: @1565|@1558|FL023296

GEN REF.: 2909 (2004)



4 WEST ELEVATION

**10139.3: WEST ELEVATION**  
 SCALE: 1/16"=1'-0"

WALL ID FOR MAINE EYE CENTER  
 TO BE ADDRESSED ON A  
 SEPARATE APPLICATION





# NEOKRAFT SIGNS

**Neokraft Signs Inc.**  
 686 Main Street  
 Lewiston, Maine 04240  
 Telephone: 207.782.9654  
 Facsimile: 207.782.0009  
 1.800.339.2258  
<http://www.neokraft.com>

*Custom Sign Fabrication*

These plans are the exclusive property of Neokraft Signs, Inc. and are the result of the original work of its employees. They are submitted to Neokraft's client for the sole purpose of consideration of whether to purchase these plans or to purchase from Neokraft a sign manufactured according to these plans.

Distribution or exhibition of these plans to anyone other than employees of said client, or use of these plans to construct a sign similar to the one embodied herein, is expressly forbidden. In the event that such exhibition or construction occurs, Neokraft expects to be reimbursed \$1500 in compensation for time and effort entailed in creating these plans.

## PRESENTATION

### PORTLAND GASTROENTEROLOGY 2232.1

LOCATION: 161 MARGINAL WAY  
 PORTLAND, ME

DRAWING NO.: 2 OF 2

DRAWN BY: DS      REP: PM

DATE: 08.26.2016

REVISED: 09.06.2016

QUOTE: @1558 | FL023296

GEN REF.: 2909 (2004)

#### NEIGHBORING SIGNS ON MARGINAL WAY

NTS



# NEOKRAFT SIGNS

**Neokraft Signs Inc.**  
 686 Main Street  
 Lewiston, Maine 04240  
 Telephone: 207.782.9654  
 Facsimile: 207.782.0009  
 1.800.339.2258  
<http://www.neokraft.com>

*Custom Sign Fabrication*

These plans are the exclusive property of Neokraft Signs, Inc. and are the result of the original work of its employees. They are submitted to Neokraft's client for the sole purpose of consideration of whether to purchase these plans or to purchase from Neokraft a sign manufactured according to these plans.

Distribution or exhibition of these plans to anyone other than employees of said client, or use of these plans to construct a sign similar to the one embodied herein, is expressly forbidden. In the event that such exhibition or construction occurs, Neokraft expects to be reimbursed \$1500 in compensation for time and effort entailed in creating these plans.

## PRESENTATION

### **PORTLAND GASTROENTEROLOGY 2232.1**

LOCATION: 161 MARGINAL WAY  
 PORTLAND, ME

DRAWING NO.: 1 OF 2

DRAWN BY: DS      REP: PM

DATE: 08.26.2016

REVISED: 09.06.2016

QUOTE: @1558 | FL023296

GEN REF.: 2909 (2004)

#### **NEIGHBORING SIGNS ON MARGINAL WAY**

NTS