



Neokraft Signs Inc.
686 Main Street
Lewiston, Maine 04240
Telephone: 207.782.9654
Facsimile: 207.782.0009
1.800.339.2258
<http://www.neokraft.com>

Custom Sign Fabrication

These plans are the exclusive property of Neokraft Signs, Inc. and are the result of the original work of its employees. They are submitted to Neokraft's client for the sole purpose of consideration of whether to purchase these plans or to purchase from Neokraft a sign manufactured according to these plans.

Distribution or exhibition of these plans to anyone other than employees of said client, or use of these plans to construct a sign similar to the one embodied herein, is expressly forbidden. In the event that such exhibition or construction occurs, Neokraft expects to be reimbursed \$1500 in compensation for time and effort entailed in creating these plans.



57.1 SQ FT

INTERNALLY ILLUMINATED (WHITE LED) LETTERS AND LOGO ON FABRICATED ALUMINUM RACEWAYS;
PAINT RACEWAYS AKZO [408D1] TO MATCH MOUNTING SURFACE

3/16" THICK TRANSLUCENT WHITE FACES; GSP TRANS DELFT BLUE [230-97] VINYL ON LOGO;
1" BLUE TRIM CAP & RETURNS

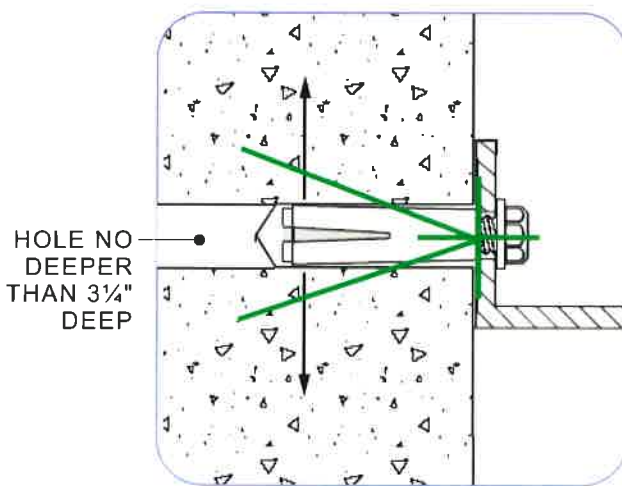
POWER SUPPLIES IN RACEWAYS; OWNER TO SUPPLY PRIMARY ELECTRICAL TO SIGN LOCATION

10139.1: INT. ILLUM. LETTERS ON RACEWAYS

SCALE: 3/8" = 1'-0" (2) SETS REQUIRED

10139.2: INT. ILLUM. LOGO

SCALE: 3/8" = 1'-0" (2) REQUIRED



HOLE NO DEEPER THAN 3/4" DEEP

LOK-BOLT™ ANCHORING SYSTEM AS MFG BY POWERS FASTENERS, NEW ROCHELLE, NY OR EQUAL:

A PRE-ASSEMBLED SINGLE UNIT SLEEVE ANCHOR FOR ANCHORING INTO SOLID AND HOLLOW CONCRETE AND MASONRY SUBSTRATES

PATENTED COMPRESSION RING PULLS FIXTURE FLUSH TO THE WORK SURFACE

AVAILABLE IN CARBON STEEL AND TYPE 304 STAINLESS STEEL; SEVERAL HEAD STYLES

SIZE RANGE: 1/4" DIA. x 5/8" TO 3/4" DIA. x 7 1/2"

SLEEVE-ANCHOR MOUNTING DETAIL

NOT TO SCALE

(2) ANCHORS EVERY 4' OF RACEWAY

STAINLESS STEEL, NON-CORROSIVE/NON-GALVANIC ACTING ANCHORS

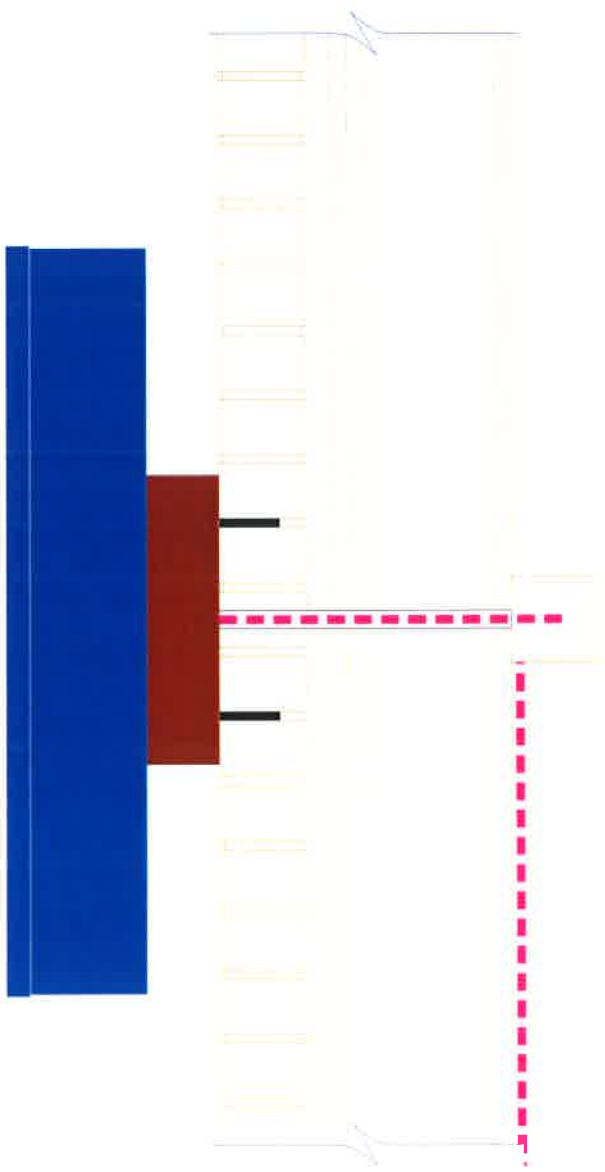
ANCHORS SET INTO MORTAR JOINTS, NOT INTO MASONRY FACES

DRILL HOLES NO DEEPER THAN 3/4"

SEAL ALL PENETRATIONS WITH SILICONE ADHESIVE

MOUNTING

SCALE: 1 1/2" = 1'-0"



PERMIT

PORTLAND GASTROENTEROLOGY 10139.X

LOCATION: 161 MARGINAL WAY
PORTLAND, ME

DRAWING NO.: 1 OF 3

DRAWN BY: DS REP: PM

DATE: 09.26.2016

REVISED 10.05.2016

QUOTE: @1565|@1558|FL023296

GEN REF.: 2909 (2004)