

HYDRAULIC-SYSTEM

THIS BUILDING IS PROTECTED BY A HYDRAULICALLY DESIGNED AUTOMATIC SPRINKLER SYSTEM.

LOCATION: SECOND

No. OF SPRINKLERS: 11
(CALCULATED)

BASIS OF DESIGN:

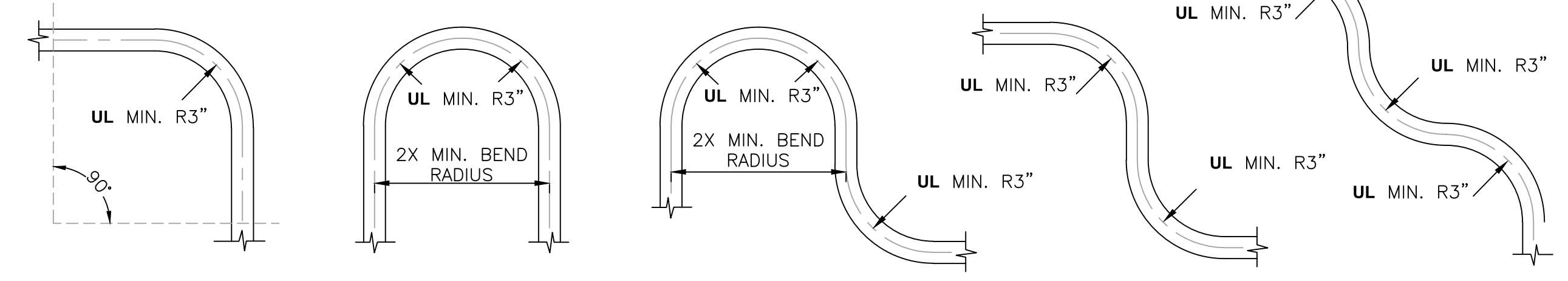
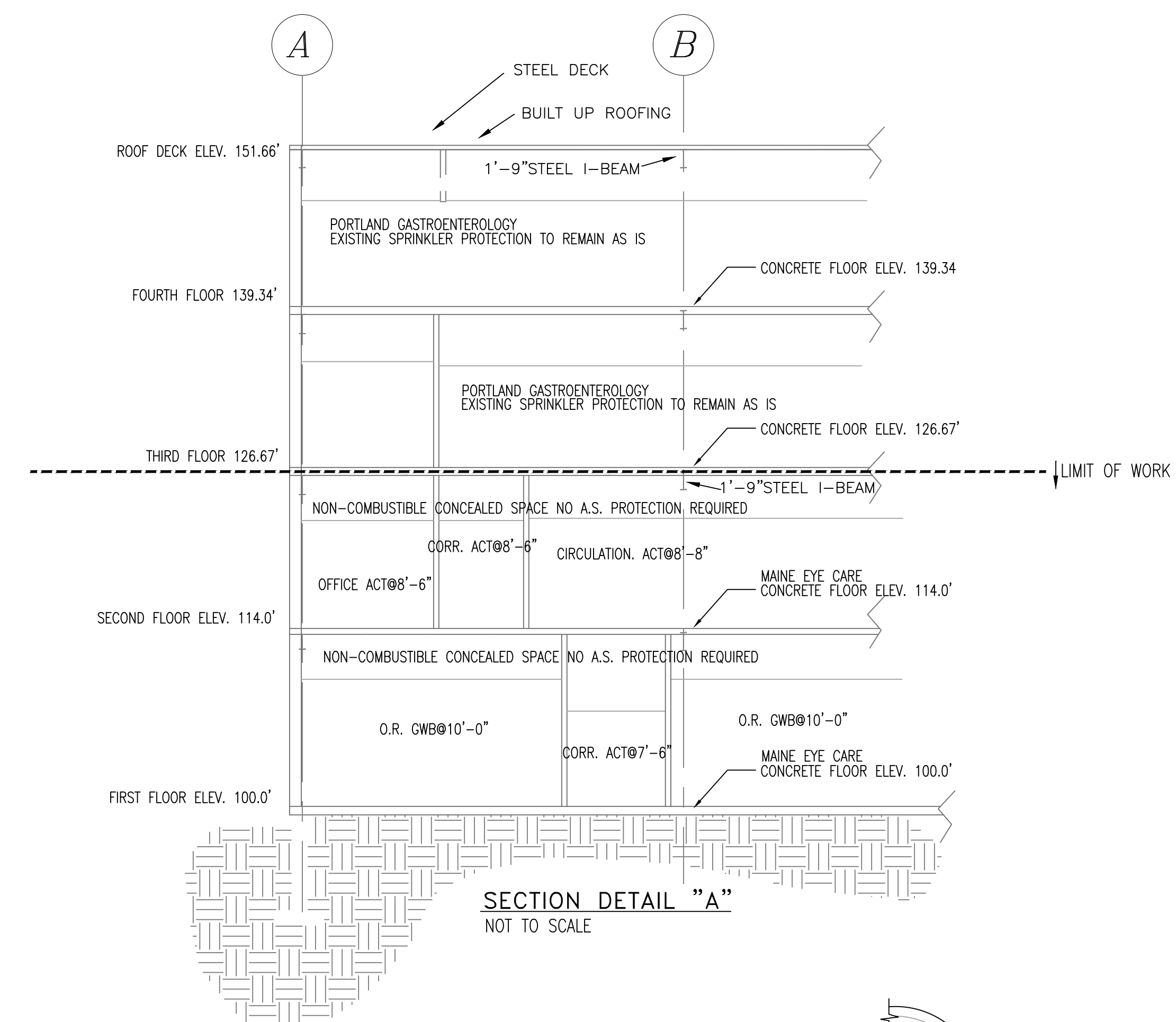
1. DENSITY (GPM/SQ.FT.) .10
2. DESIGNED AREA OF DISCHARGE (SQ.FT.) 1011

SYSTEM DEMAND:

1. WATER FLOW RATE (GPM) 198.0
2. RESIDUAL PRESSURE AT THE BASE OF THE RISER 104.68 (PSI)

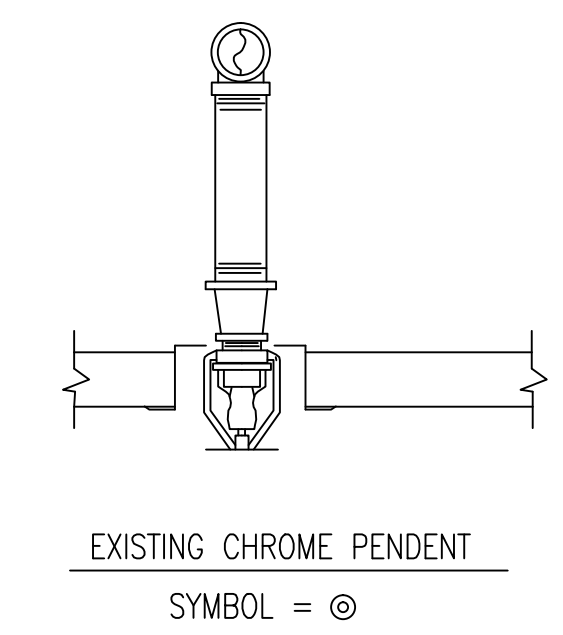
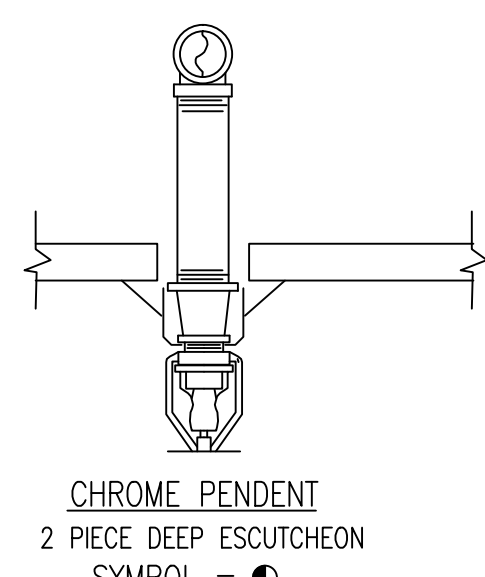
HYDRAULIC DATA NAMEPLATE

TO BE MOUNTED AT SYSTEM RISER



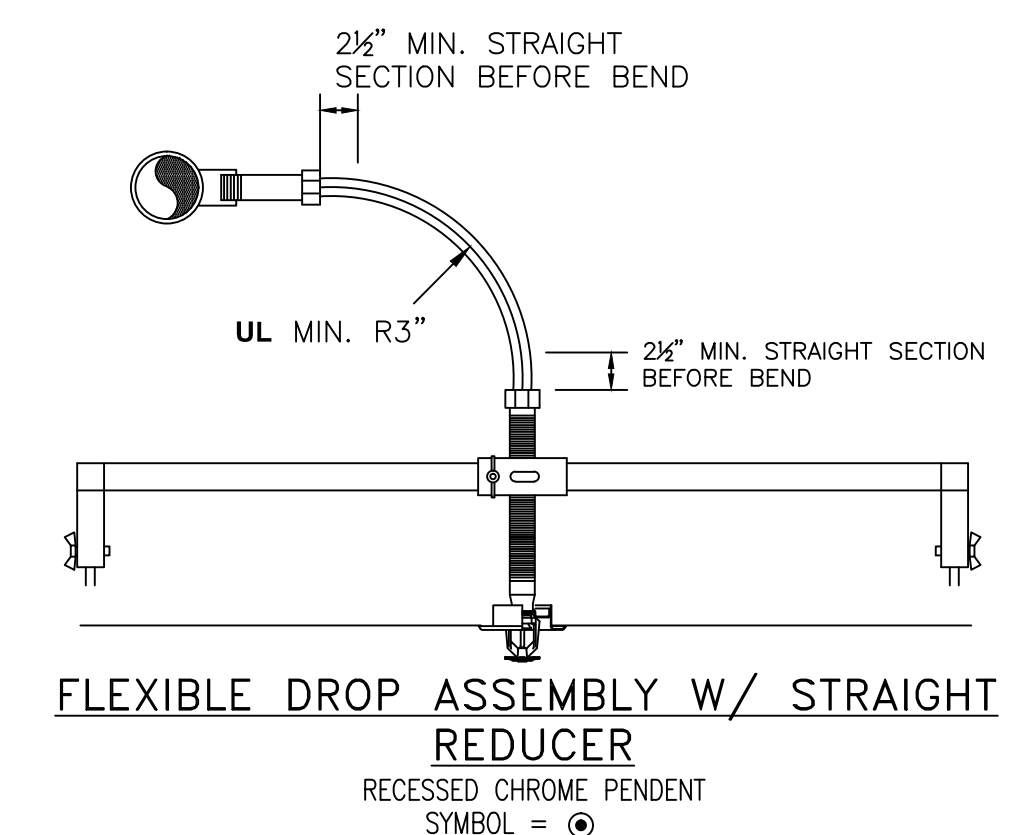
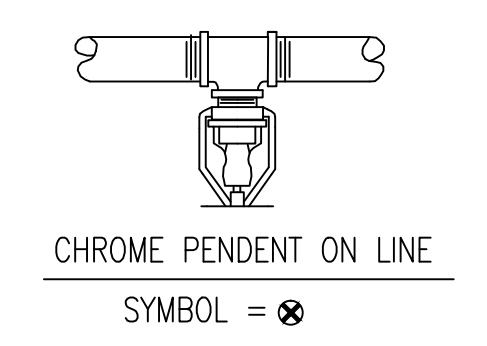
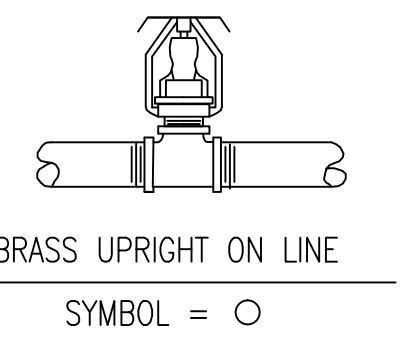
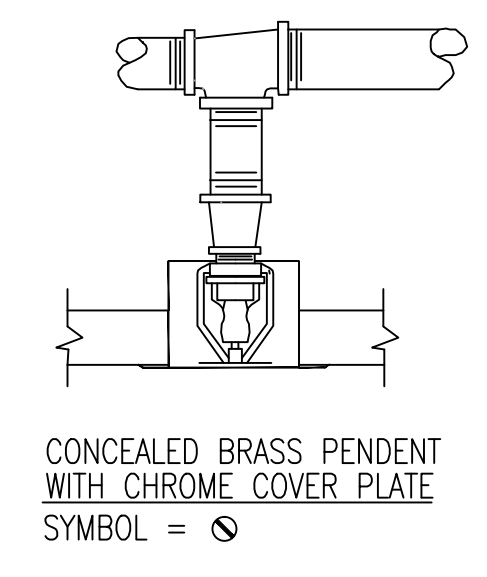
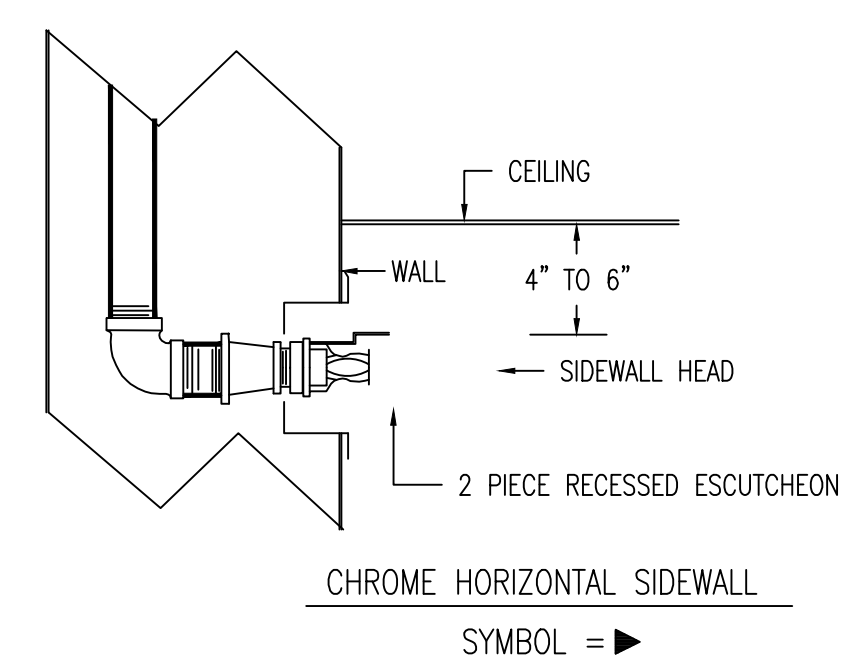
VICIFLEX AH1 HOSE BEND CHARACTERISTICS

NOTE: FOR OUT-OF-PLANE (THREE DIMENSIONAL) BENDS, CARE MUST BE TAKEN TO AVOID IMPARTING TORQUE ON THE HOSE



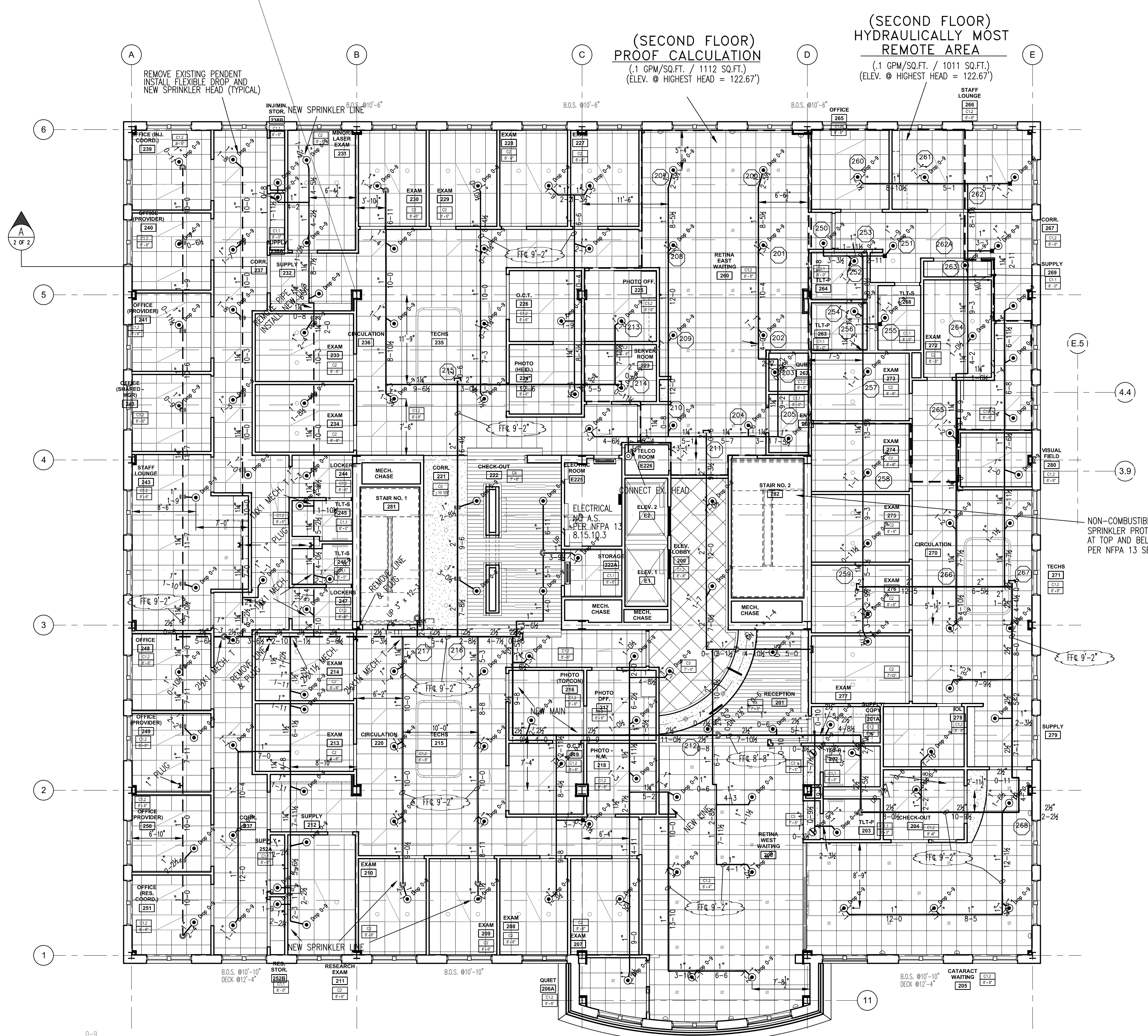
LENGTH OF FLEXIBLE HOSE INCHES	OUTLET SIZE INCHES	EQUIVALENT LENGTH OF 1" SCH'D 40 PIPE WHERE C=120 FEET	MAXIMUM NUMBER OF BENDS
31"	3/4"	52	3
48"	3/4"	78	4
60"	3/4"	88	4
72"	3/4"	112	5

FRICTION LOSS DATA FOR VICIFLEX HOSE PER UL2443 LISTING



SPRINKLER HEAD DETAILS

NOT TO SCALE

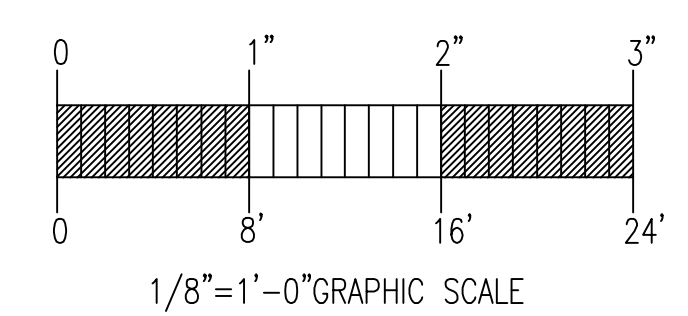


FIRE SPRINKLER PLAN - SECOND FLOOR

SCALE: 1/8"=1'-0"
AREA PROTECTED: 13,200 SQ.FT.
FINISH FLOOR ELEVATION : 114.0'
COLOR CODE:

Symbol	Count	Thread	K-Factor	Description	Note
●	135	1/2"	5.6	1/2" 200' CHROME RECESSED PENDENT RELIABLE P1FR K=5.6 SINGRA1414	on Drop
⊙	2	1/2"	5.6	EXISTING 1/2" 150' CHROME PENDENT DR DROP K=5.6	on Drop
⊗	2	1/2"	5.6	1/2" 212' CONCEALED CHROME PENDENT RELIABLE OS-26 K=5.6 SINGRA3415	on Drop

135 = Total Number of Heads This Floor



<p>GENERAL NOTES</p> <p>SPRINKLER SYSTEM RENOVATION TO COMPLY WITH NFPA PAMPHLET # 13 (2016)</p> <p>NEW BRANCH LINE PIPING TO BE BLACK SCHEDULE 40 JOINED BY THREADED DUCTILE IRON FITTINGS</p> <p>NEW MAIN PIPING TO BE SCHEDULE # 10 BLACK WITH GROOVED ENDS & WELDED OUTLETS JOINED BY MECHANICAL COUPLINGS</p> <p>OWNER TO PROVIDE SUFFICIENT HEAT THROUGHOUT BUILDING TO PREVENT FREEZING OF WATER FILLED SPRINKLER PIPING AND EQUIPMENT. (40° F)</p>	DATE	REVISIONS	REQUIRED APPROVALS	<p>OWNER / ARCHITECT STATE FIRE MARSHAL PORTLAND FIRE DEPARTMENT</p> <p>DRAWN BY WAF NICET LEVEL III CERT.# 095574</p> <p>CHECKED BY JWD NICET LEVEL III CERT.# 116803</p> <p>CONTRACTOR LICENSE # 101</p> <p>CONTRACTOR RMS # 368</p>	<p>MAINE EYE RETINA & SURGERY 161 MARGINAL WAY, PORTLAND, ME.</p> <p>CONTRACT WITH: HERBERT CONSTRUCTION</p> <p>EASTERN FIRE PROTECTION AUBURN/LEWISTON INDUSTRIAL AIRPARK, AUBURN, MAINE 04210</p>	<p>FIRE SPRINKLER PLANS & DETAILS</p> <p>DWG. NO. 2 OF 2</p> <p>JOB NUMBER AN-5501-16</p> <p>SCALE AS NOTED</p> <p>DATE 07/26/16</p>