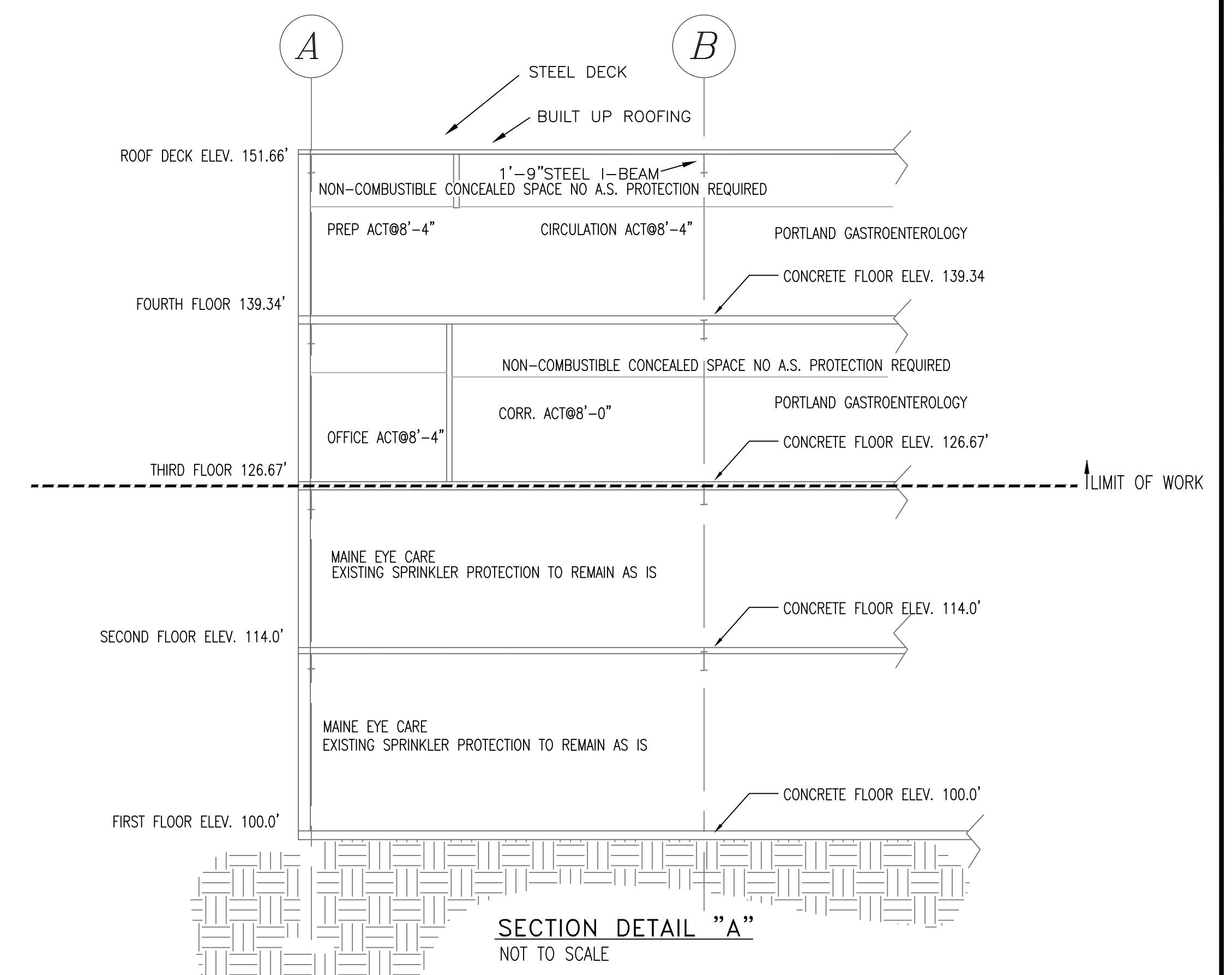
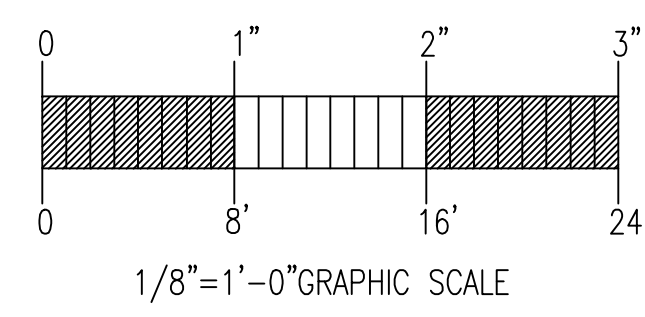


FIRE SPRINKLER PLAN - THIRD FLOOR

SCALE: 1/8"=1'-0"
 AREA PROTECTED: 13,200 SQ.FT.
 FINISH FLOOR ELEVATION : 126.67'
 COLOR CODE:

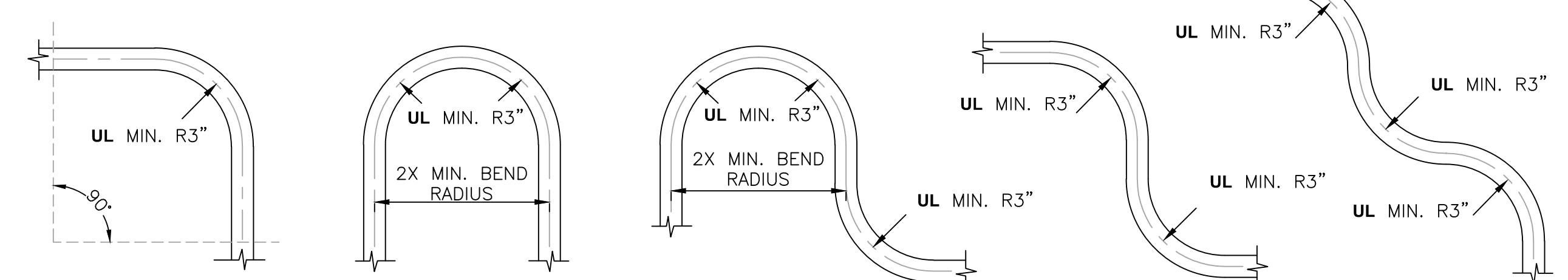
Symbol	Count	Thread	K-Factor	Description	Note
⊙	150	1/2"	5.6	1/2" 200' CHROME RECESSED PENDENT RELIABLE F1FR K=5.6 SIN#RA1414	ON FLEX DROP
⊗	2	3/4"	11.2	3/4" 155' TYCO EC-11 EXTENDED COVERAGE CHROME RECESSED PENDENT K=11.2 SIN# TYS237	ON FLEX DROP
●	2	1/2"	5.6	1/2" 200' RELIABLE CHROME PENDENT DEEP ESC. K=5.6 SIN #RA1414	on Drop
154 = Total Number of Heads THIRD FLOOR					



VICTALIC AH1 BRAIDED FLEXIBLE HOSE ASSEMBLY

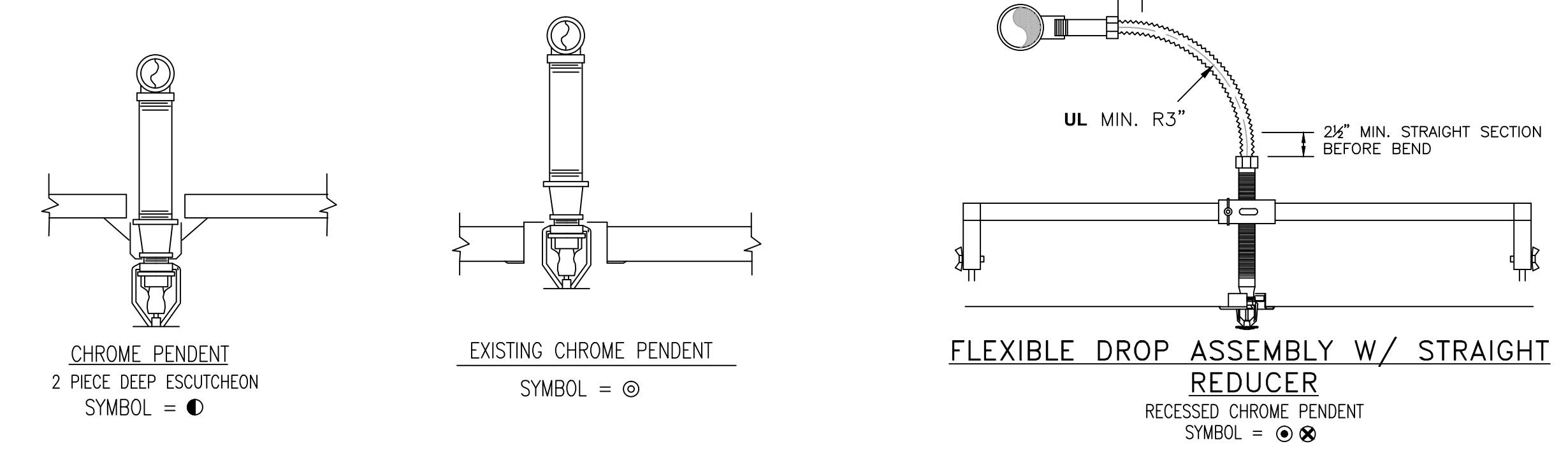
LENGTH OF FLEXIBLE HOSE INCHES	OUTLET SIZE INCHES	EQUIVALENT LENGTH OF 1" SCH'D 40 PIPE WHERE C=120 FEET	MAXIMUM NUMBER OF BENDS
31"	3/8"	52	3
48"	3/8"	78	4
60"	3/8"	88	4
72"	3/8"	90	4
72"	3/8"	112	5
72"	3/8"	118	5

FRICITION LOSS DATA FOR VICIFLEX HOSE PER UL2443 LISTING



VICIFLEX AH1 HOSE BEND CHARACTERISTICS

NOTE: FOR OUT-OF-PLANE (THREE DIMENSIONAL) BENDS, CARE MUST BE TAKEN TO AVOID IMPARTING TORQUE ON THE HOSE



SPRINKLER HEAD DETAILS
NOT TO SCALE

GENERAL NOTES SPRINKLER SYSTEM RENOVATION TO COMPLY WITH NFPA PAMPHLET # 13 NEW BRANCH LINE PIPING TO BE BLACK SCHEDULE 40 JOINED BY THREADED DUCTILE IRON FITTINGS NEW MAIN PIPING TO BE SCHEDULE # 10 BLACK WITH GROOVED ENDS & WELDED OUTLETS JOINED BY MECHANICAL COUPLINGS OWNER TO PROVIDE SUFFICIENT HEAT THROUGHOUT BUILDING TO PREVENT FREEZING OF WATER FILLED SPRINKLER PIPING AND EQUIPMENT. (40° F)	DATE	REVISIONS	REQUIRED APPROVALS	PORTLAND GASTROENTEROLOGY 161 MARGINAL WAY, PORTLAND, ME. CONTRACT WITH: HERBERT CONSTRUCTION EASTERN FIRE PROTECTION AUBURN/LEWISTON INDUSTRIAL AIRPARK, AUBURN, MAINE 04210	FIRE SPRINKLER PLANS & DETAILS DWG. NO. 2 OF 2 JOB NUMBER AN-5458-16 SCALE AS NOTED DATE 05/27/16
	OWNER / ARCHITECT STATE FIRE MARSHAL PORTLAND FIRE DEPARTMENT	DRAWN BY WAF NICET LEVEL III CERT.# 095574 CHECKED BY JWD NICET LEVEL III CERT.# 116803 CONTRACTOR LICENSE # 101 CONTRACTOR RMS # 368			