

Consultant  
Address  
Phone  
Fax  
e-mail

Consultant  
Address  
Phone  
Fax  
e-mail

Consultant  
Address  
Phone  
Fax  
e-mail

Consultant  
Address  
Phone  
Fax  
e-mail

Consultant  
Address  
Phone  
Fax  
e-mail

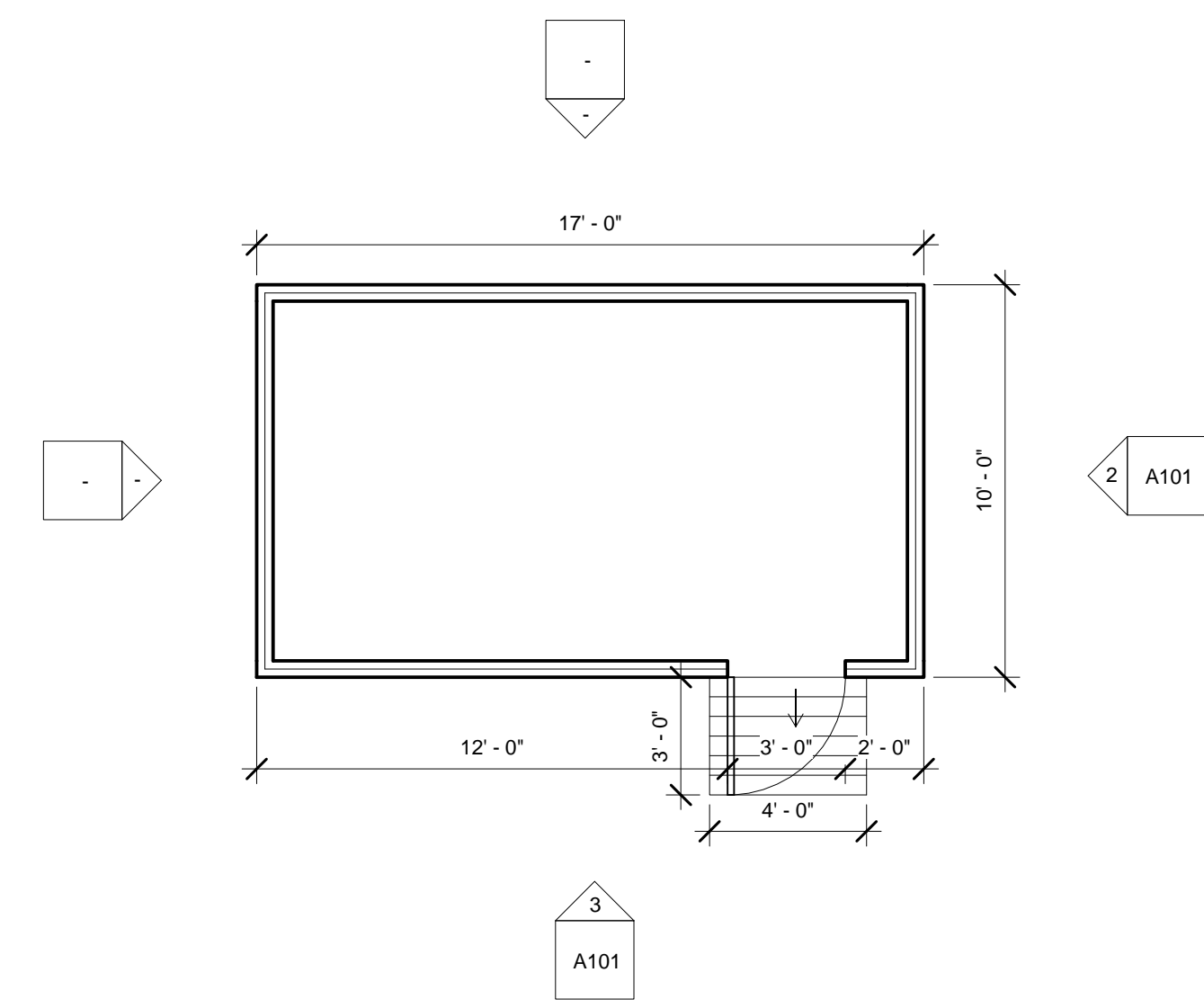
No.	Description	Date

Bruce Kistler  
Owner Shed  
Plans

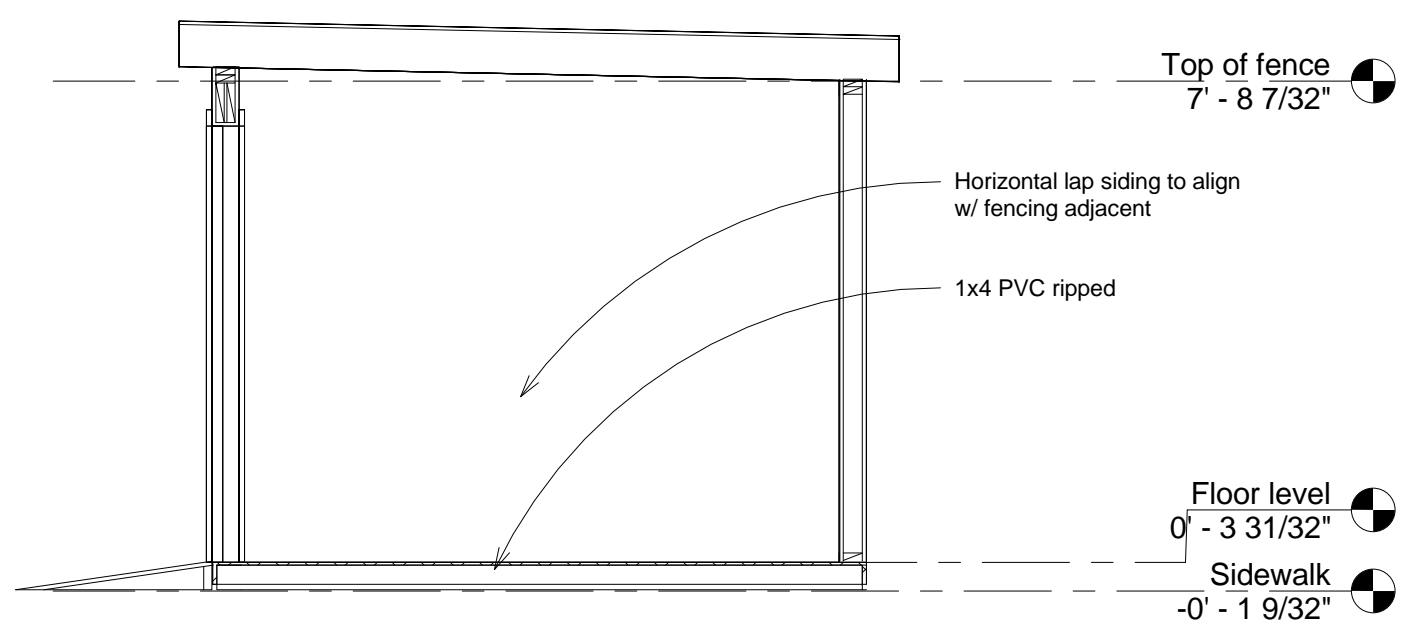
Project number	Project Number
Date	Issue Date
Drawn by	Author
Checked by	Checker

A101

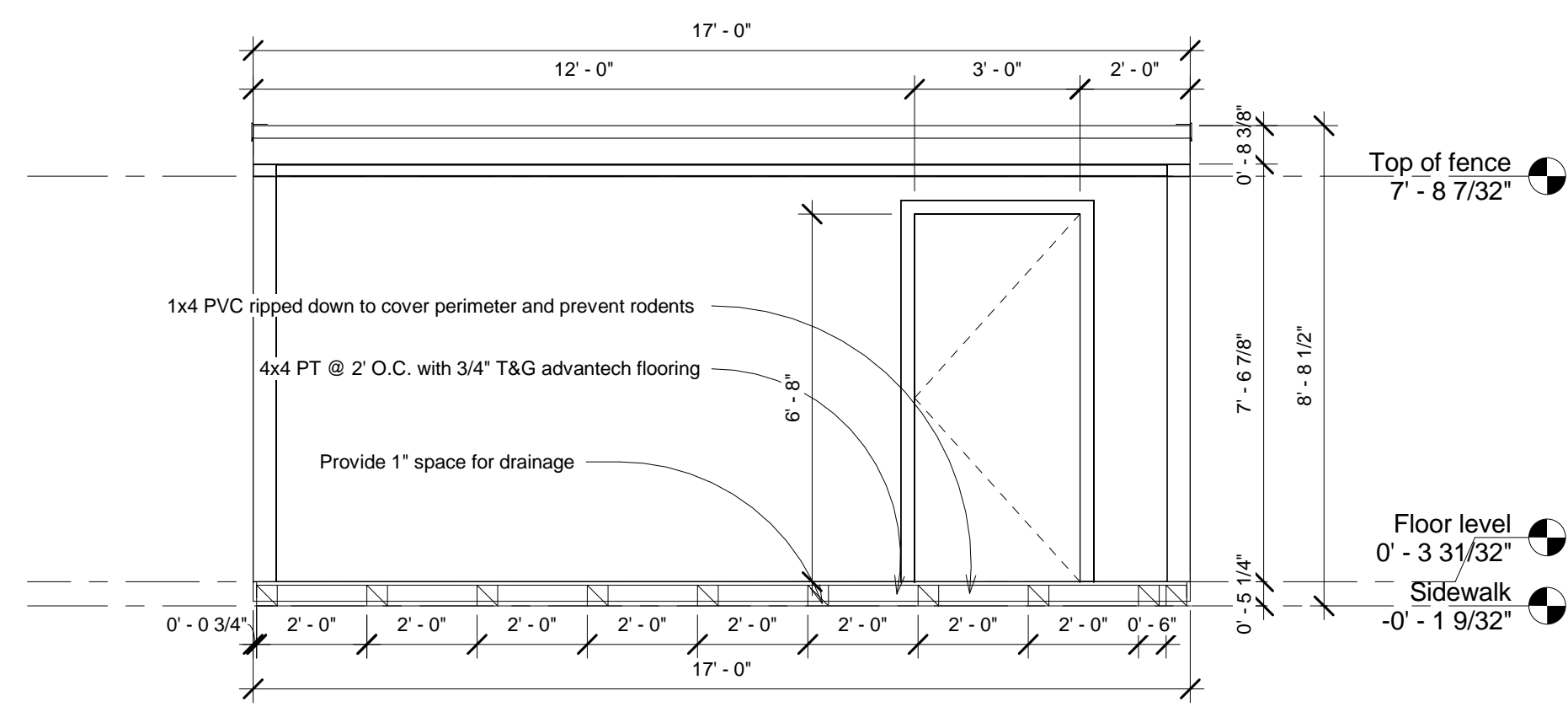
Scale As indicated



① Floor level  
1/4" = 1'-0"



② East  
3/8" = 1'-0"



③ South  
3/8" = 1'-0"