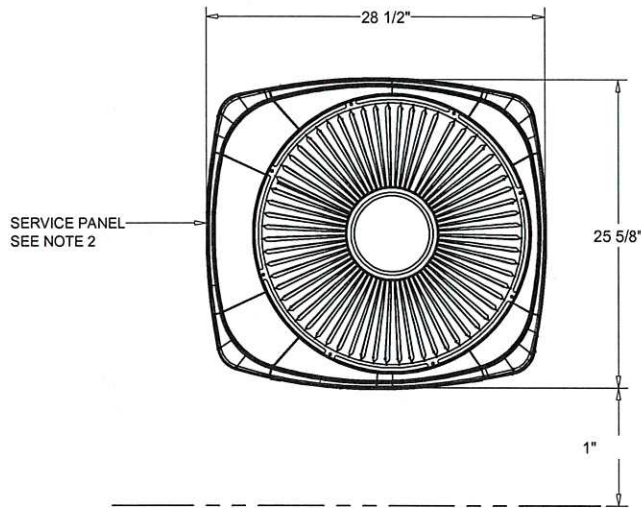


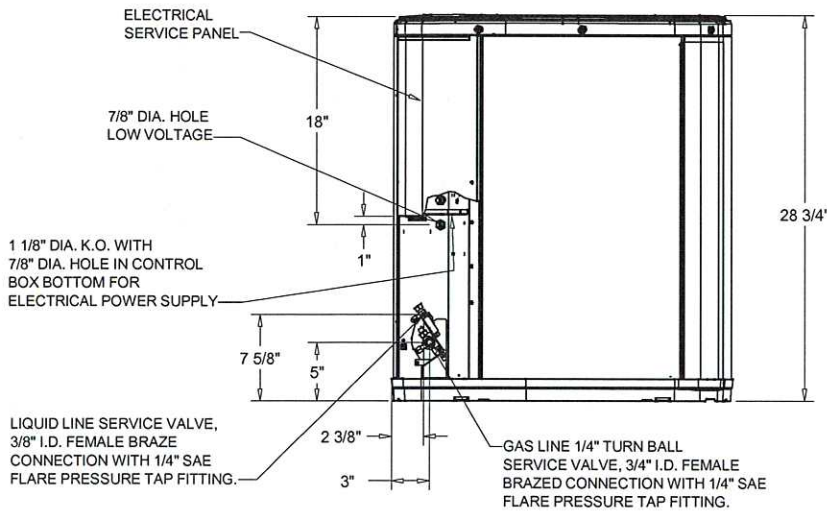
Unit Dimensions - Split System Air Conditioning Units (Small)

Item: A1 Qty: 1

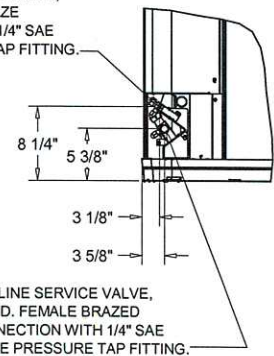


NOTES

1. TOP DISCHARGE AREA SHOULD BE UNRESTRICTED FOR AT LEAST 60" ABOVE UNIT. UNIT SHOULD BE PLACED SO ROOF RUN-OFF WATER DOES NOT POUR DIRECTLY ON UNIT, AND SHOULD BE AT LEAST 12" FROM WALL AND ALL SURROUNDING SHRUBBERY ON TWO SIDES. OTHER TWO SIDES UNRESTRICTED.
2. ELECTRICAL AND REFRIGERANT COMPONENT CLEARANCES PER PREVAILING CODES.



LIQUID LINE SERVICE VALVE, 3/8" I.D. FEMALE BRAZE CONNECTION WITH 1/4" SAE FLARE PRESSURE TAP FITTING.



GAS LINE SERVICE VALVE, 3/4" I.D. FEMALE BRAZED CONNECTION WITH 1/4" SAE FLARE PRESSURE TAP FITTING.

Unit Dimensions - Split System Air Conditioning Units (Small)

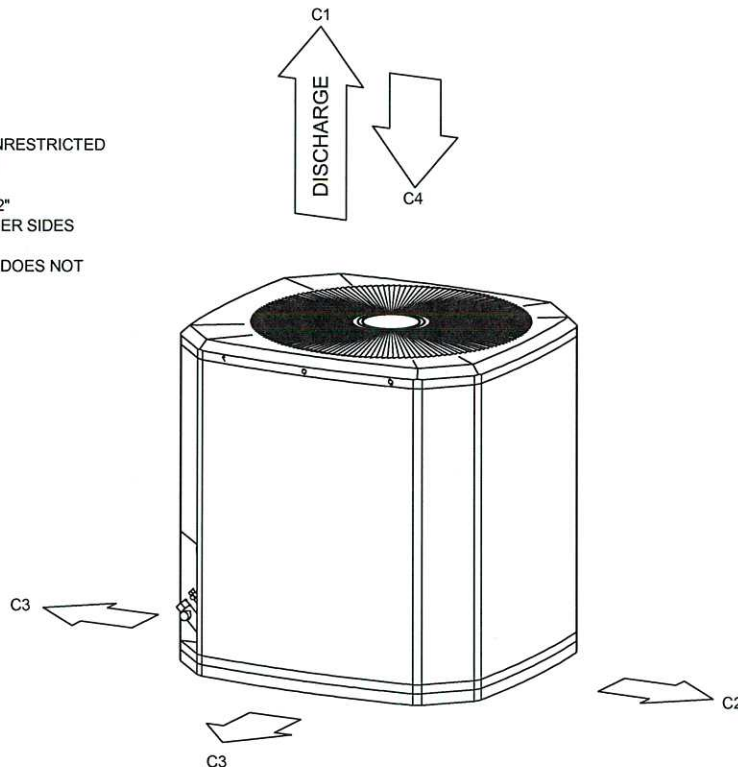
Item: A1 Qty: 1

ELECTRICAL / GENERAL DATA

<p>GENERAL</p> <p>Model: 4TTR4030 Voltage: 208 - 230 Unit Hertz: 60 Unit Phase: 1</p>	<p>POWER CONN.</p> <p>Minimum Circuit Ampacity: 17.0 Maximum Circuit Breaker: 25.0 Minimum Protection Rating: 25.0</p>	<p>COMPRESSOR</p> <p>Number: 1 Phase: 1 Rated Load Amps: 12.8 Locked Rotor Amps: 68.0</p>
<p>OUTDOOR MOTOR</p> <p>Number: 1 Horsepower: 0.125 Motor Speed (RPM): - Phase: 1 Full Load Amps: 0.64 Locked Rotor Amps: -</p>	<p>NOTES:</p> <ol style="list-style-type: none"> 1. Certified in accordance with the Unitary Air-Conditioner equipment certification program which is based on AHRI Standard 210/240. 2. Calculated in accordance with N.E.C. Use only HACR circuit breakers or fuses. 3. Standard line lengths - 60'. Standard lift - 60' Suction and Liquid line. For Greater lengths and lifts refer to refrigerant piping software Pub# 32-3312-0 4. * = 15, 20, 25, 30, 40 and 50 foot lineset available. 	
<p>REFRIGERANT</p> <p>Type: R-410 Charge: 5.3 lb Line Size O.D. Gas: 3/4" Line Size O.D. LIQ: 3/8"</p>		

WEIGHT	
NET	156.0 lb
SHIPPING	183.0 lb

- NOTES:**
- C1. TOP DISCHARGE SHOULD BE UNRESTRICTED FOR AT LEAST 60" ABOVE UNIT
 - C2. PLACE UNIT FROM WALL
 - C3. PLACE SHRUBBERY AT LEAST 12" FROM UNIT ON TWO SIDES, OTHER SIDES UNRESTRICTED
 - C4. PLACE UNIT SO ROOF RUN-OFF DOES NOT FALL DIRECTLY ON UNIT



WEIGHT AND CLEARANCE

Unit Dimensions - Split System Air Conditioning Units (Small)

Item: A1 Qty: 1

4TXCB004	
DIMENSION (A)	26 7/8"
DIMENSION (B)	17 1/2"
DIMENSION (C)	16 5/8"
DIMENSION (D)	15 3/4"
MATCHED FURNACE WIDTH	17 1/2"
GAS CONNECTION	3/4" BRAZE
LIQUID CONNECTION	3/8" BRAZE
REFRIGERANT CONTROL	TXV (NON-BLEED)
DRAIN PAN	PLASTIC
WEIGHT NET	49.0 lb

