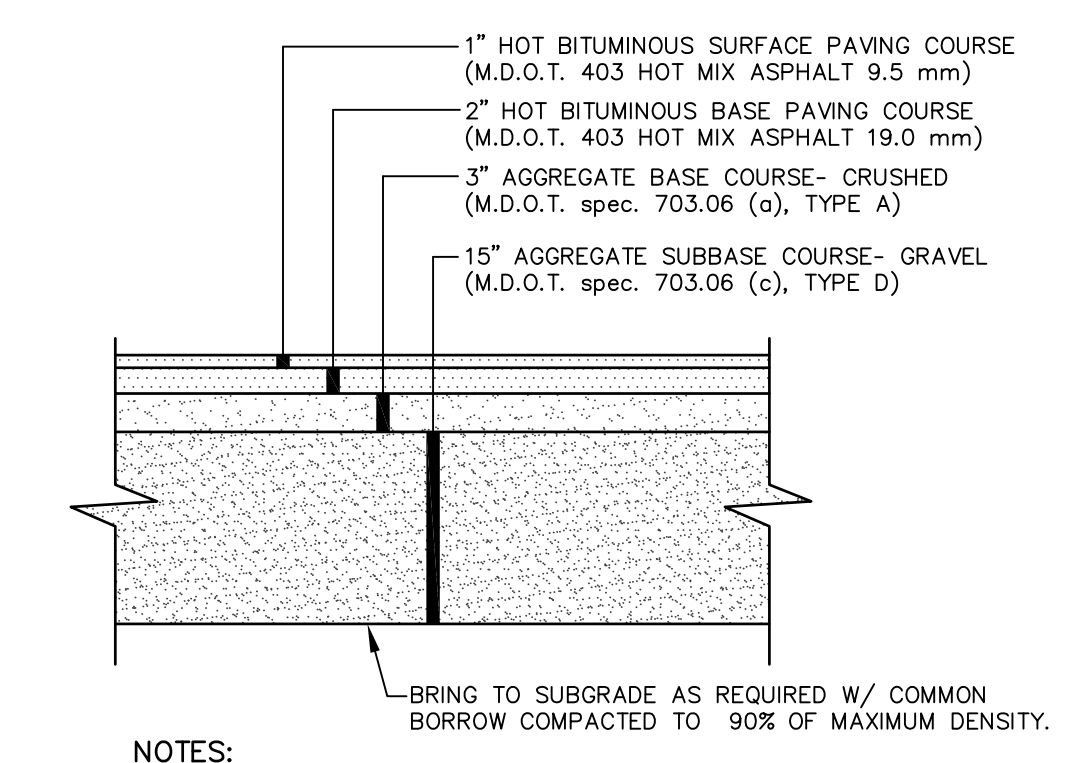
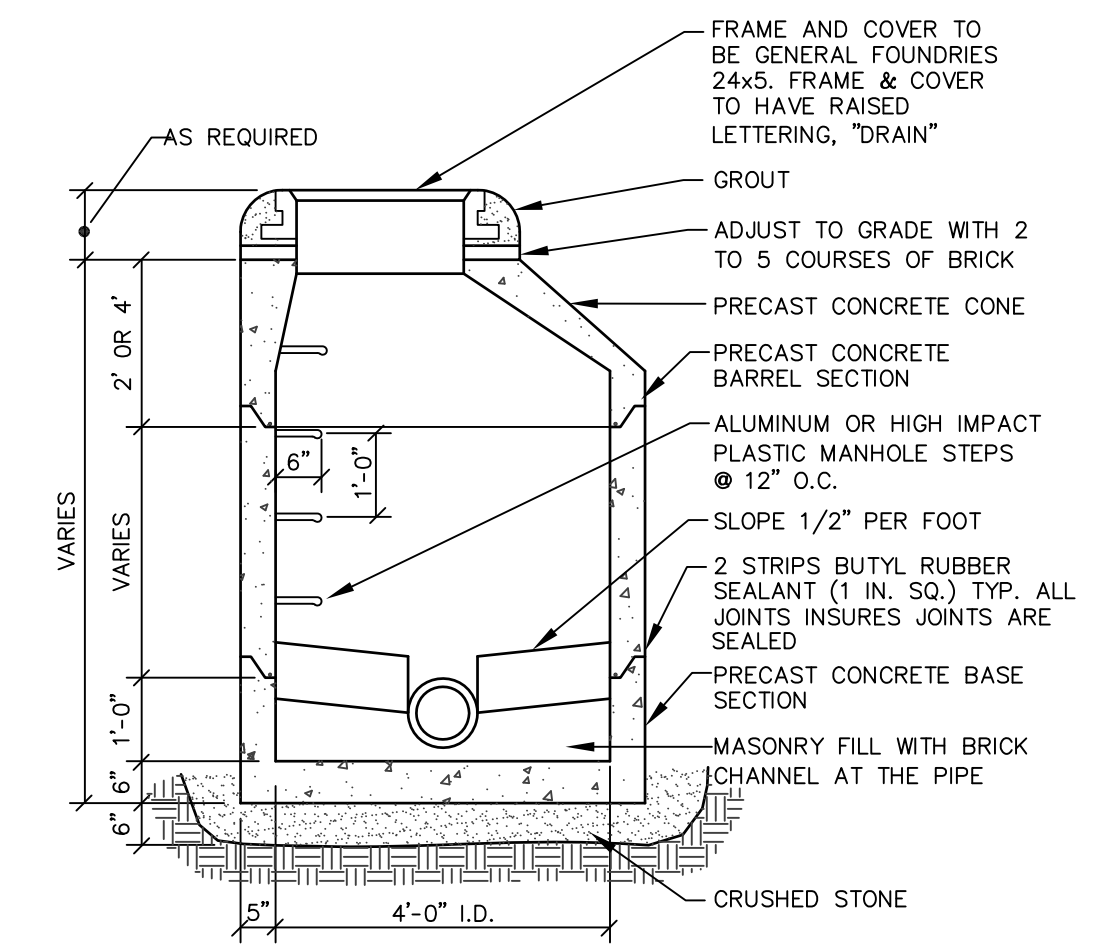


TYPICAL PAVEMENT JOINT
 NOT TO SCALE

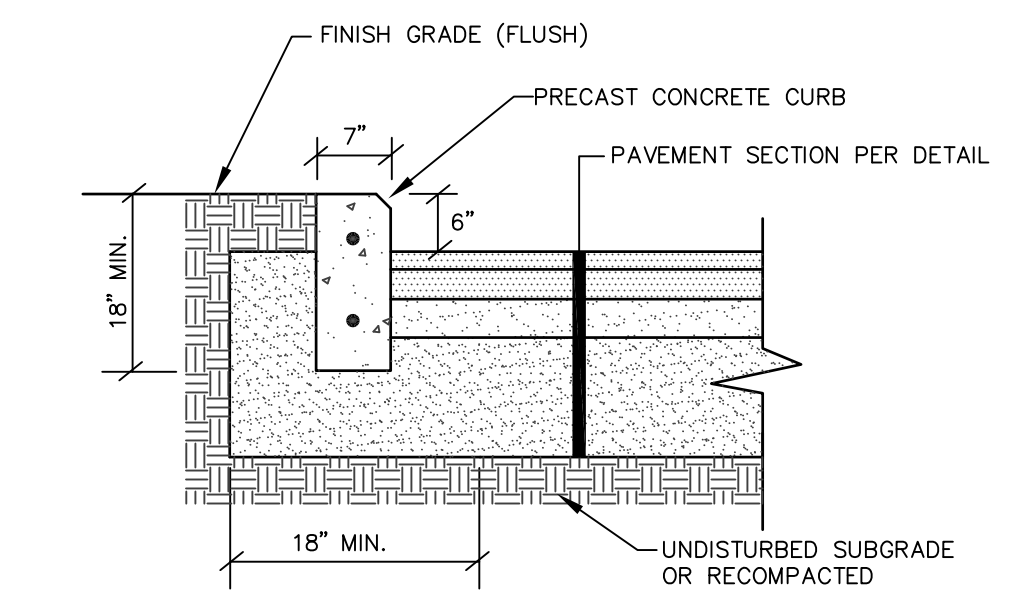


- NOTES:**
1. COMPACT GRAVEL SUBBASE, BASE COURSE TO 92% OF MAXIMUM DENSITY USING HEAVY ROLLER COMPACTION.
 2. CONTRACTOR SHALL SET GRADE STAKES MARKING SUBBASE AND FINISH GRADE ELEVATIONS FOR CONSTRUCTION REFERENCE.
 3. CONTRACTOR MAY REPLACE BITUMINOUS PAVING SECTION WITH TWO (2) 1-1/2" LIFTS OF 12.5mm SUPERPAVE MIX. SUBMIT PAVEMENT MIX DESIGN PRIOR TO CONSTRUCTION.

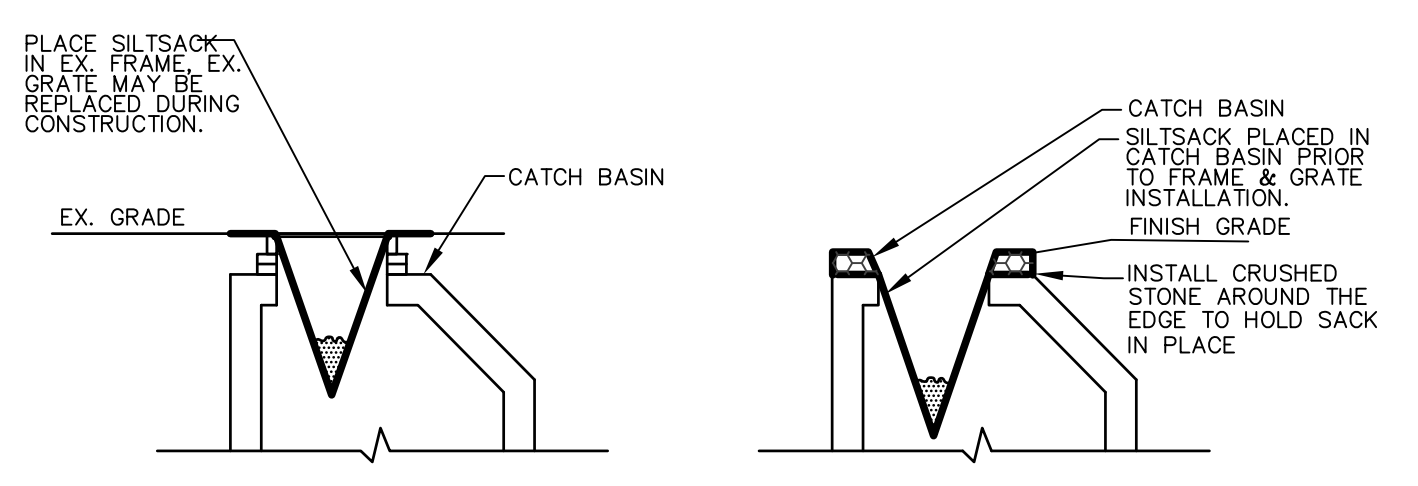
TYP. PAVED PARKING LOT SECTION
 NOT TO SCALE



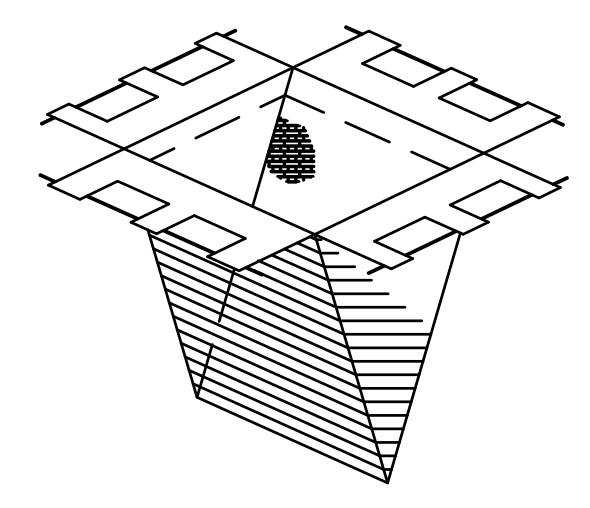
PRECAST MANHOLE
 NOT TO SCALE



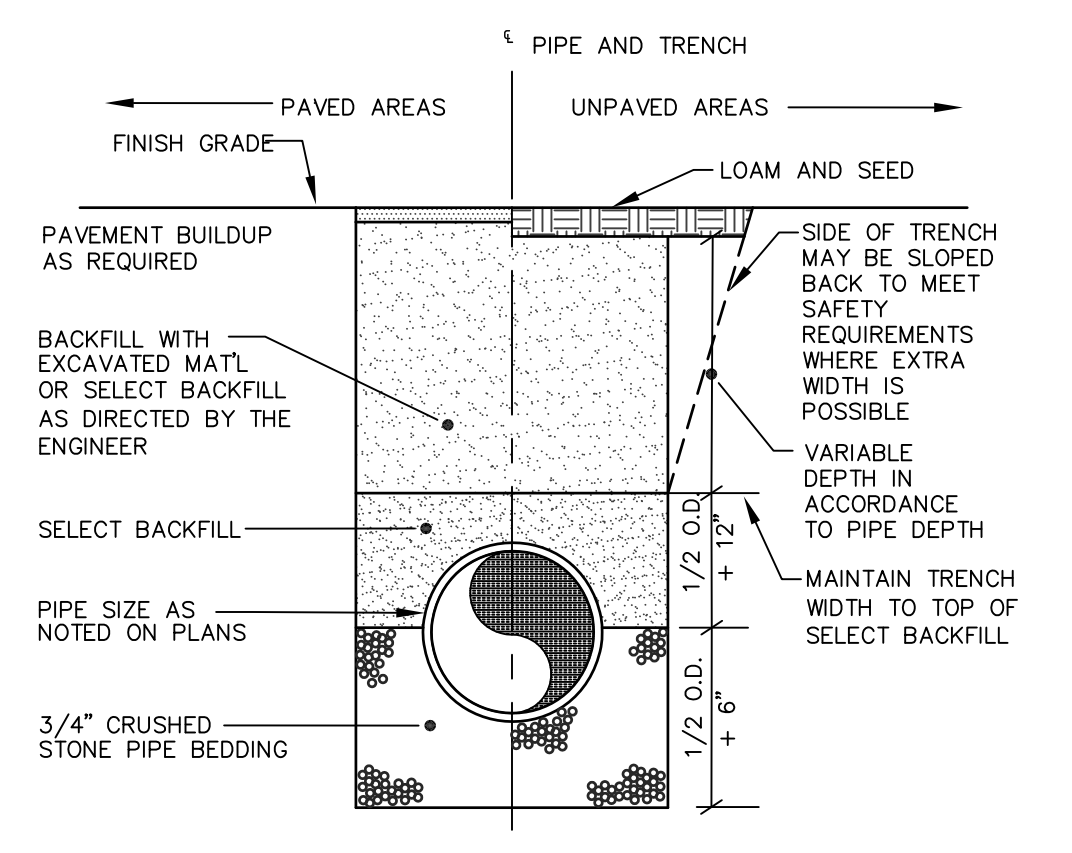
PRECAST CONCRETE CURB
 NOT TO SCALE



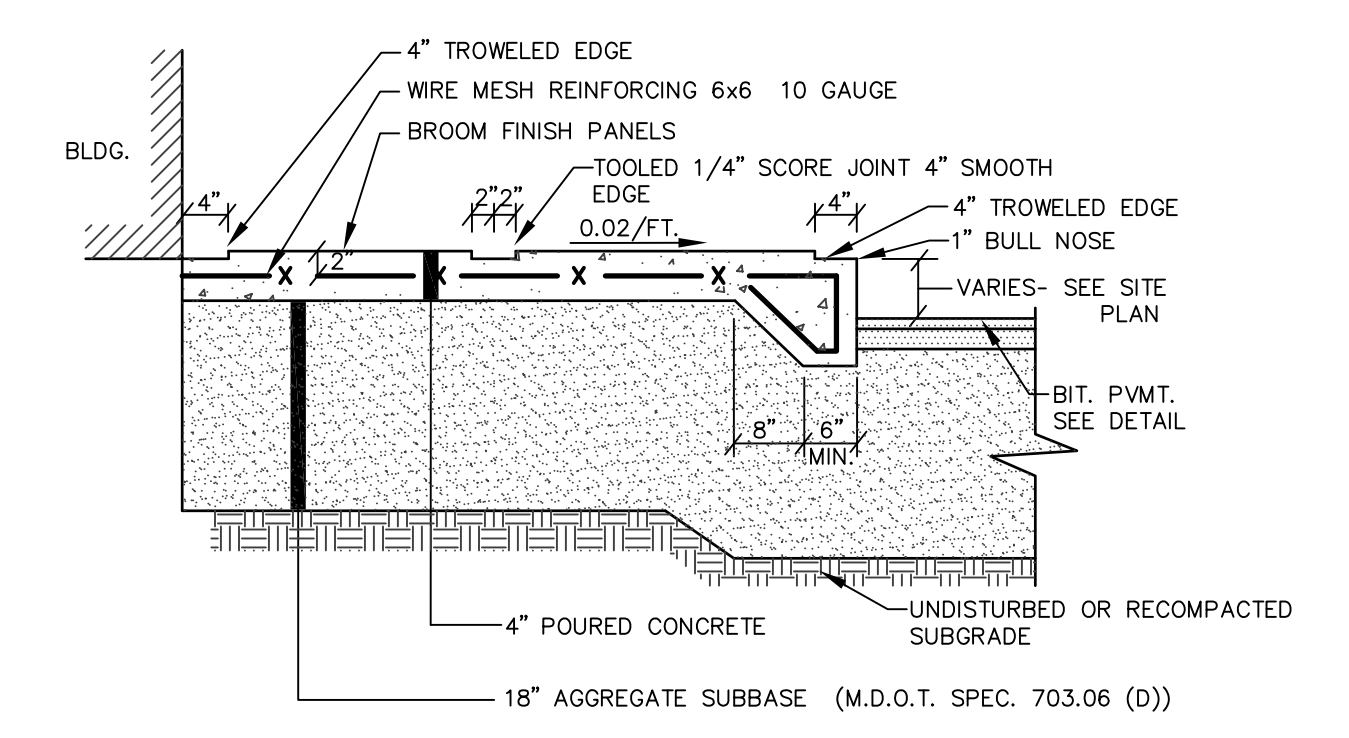
CATCH BASIN PROTECTION DETAIL (FOR PAVED AREAS)
 NOT TO SCALE



- NOTES:**
- PRIOR TO FINAL GRADING AND PAVING OPERATIONS BEGIN A CATCH BASIN INSERT (SUCH AS A SILT SACK OR A DANDY BAG. IT) MUST BE INSTALLED IN EACH BASIN PER MANUFACTURER'S INSTRUCTIONS. HAY BALES SHOULD BE REMOVED ONCE INSERTS ARE INSTALLED.



TYPICAL TRENCH SECTION
 NOT TO SCALE



- NOTE:**
- INSTALL FROST FREE MATERIAL 4 FEET BELOW ALL HANDICAP RAMPS AND ENTRY POINTS AT BUILDING.

CONCRETE SIDEWALK
 NOT TO SCALE

DESIGNED	CHECKED
GJH	PDO
B PDO 04-26-16 SUBMITTED TO CITY FOR REVIEW	
A PDO 03-18-16 ISSUED FOR REVIEW	
REV/ BY:	DATE: STATUS:
THIS PLAN SHALL NOT BE MODIFIED WITHOUT WRITTEN PERMISSION FROM SEBAGO TECHNICS, INC. ANY ALTERATIONS AUTHORIZED OR OTHERWISE, SHALL BE AT THE USER'S SOLE RISK AND WITHOUT LIABILITY TO SEBAGO TECHNICS, INC.	

SEBAGO
 TECHNICS
 WWW.SEBAGO-TECHNICS.COM
 79 John Roberts Rd., Suite B
 South Portland, ME 04106
 Tel. 207-200-9100 Tel. 207-783-5656

DETAILS
 OF: MAINE EYE-RETINA AND SURGERY CENTER
 161 MARGINAL WAY
 PORTLAND, MAINE 04101
 FOR: MAINE EYE CENTER
 15 LOWELL STREET
 PORTLAND, ME 04102

PROJECT NO.	SCALE
02088	NTS