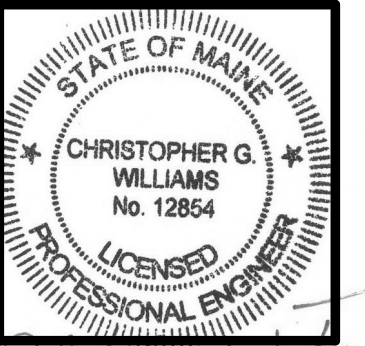


No.	Date	Description
Revision Schedule		



JOB NO. 3729

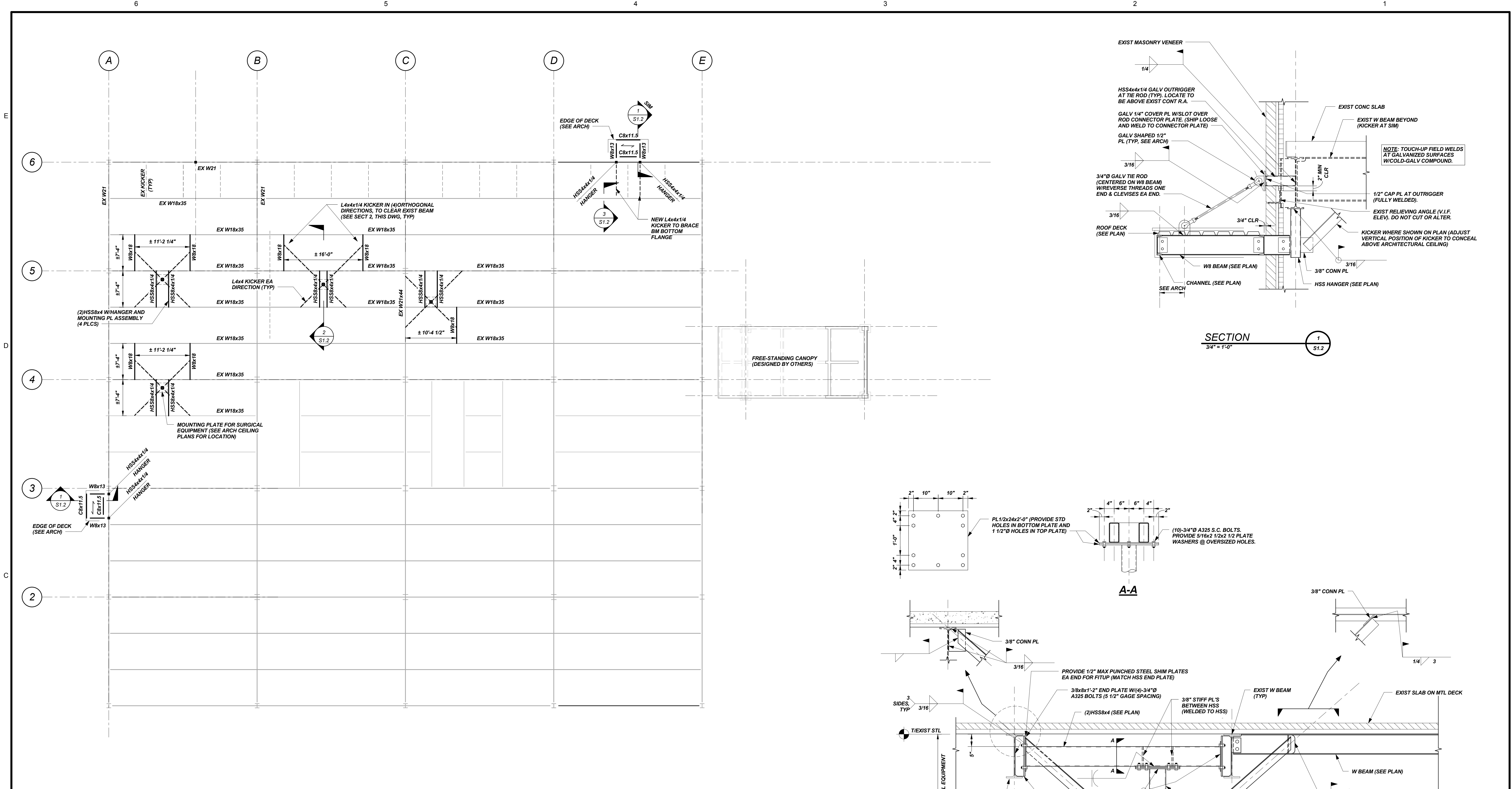
DRWN: CHK: MSK CGW

SCALE: AS NOTED

ISSUE: PERMIT SET-95% CONSTRUCTION DOCUMENTS
 04.12.16

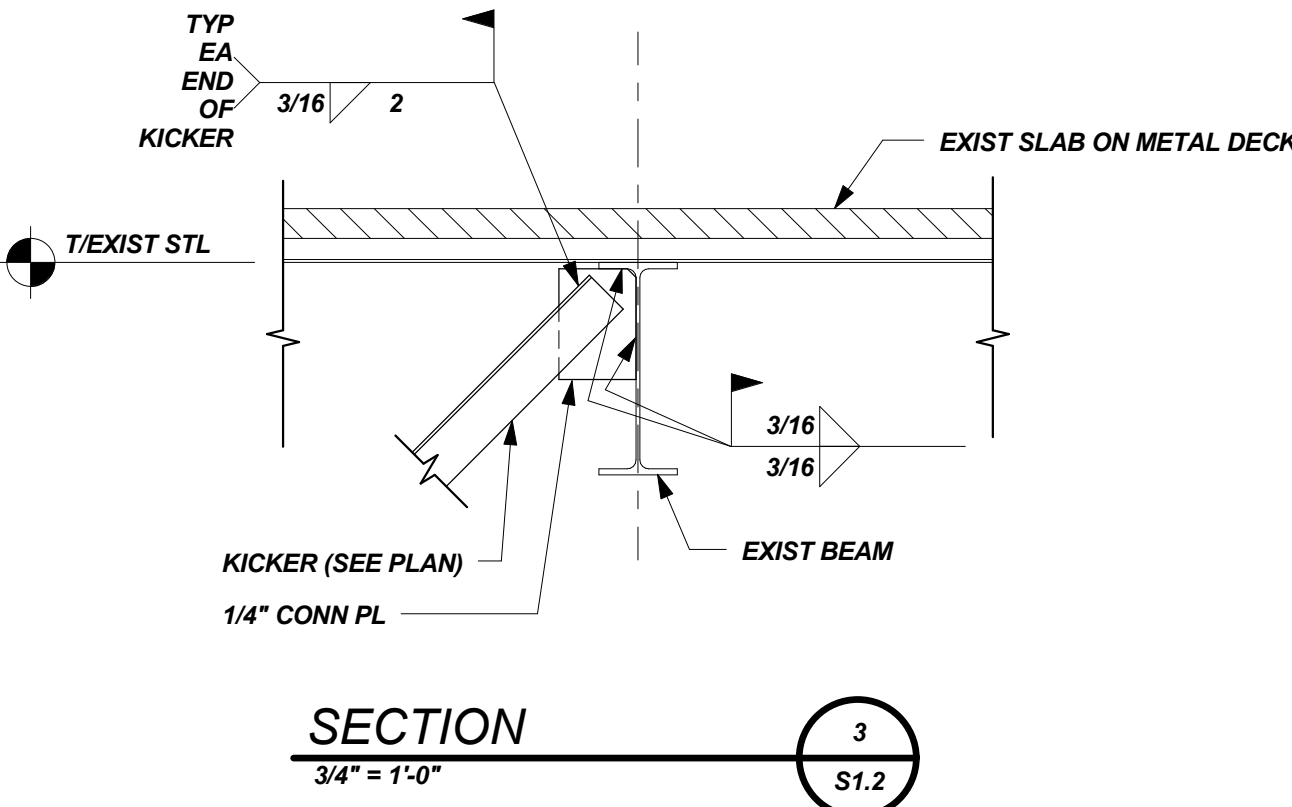
TITLE: SECOND FLOOR FRAMING & SECTIONS

SHEET S1.2

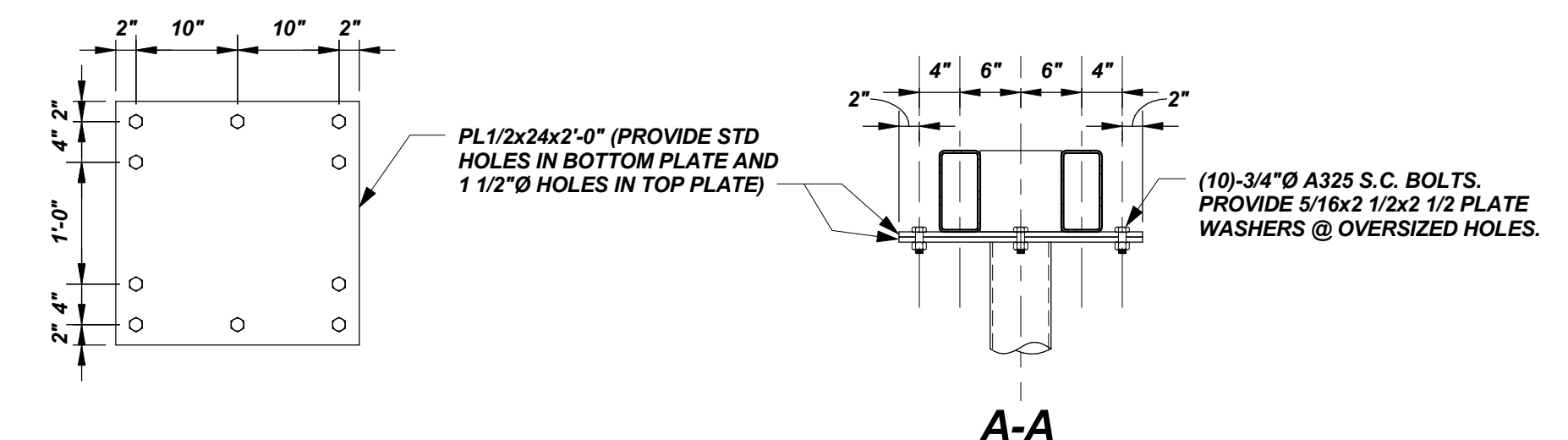


EXISTING LEVEL 2 FRAMING PLAN
 1/8" = 1'-0"

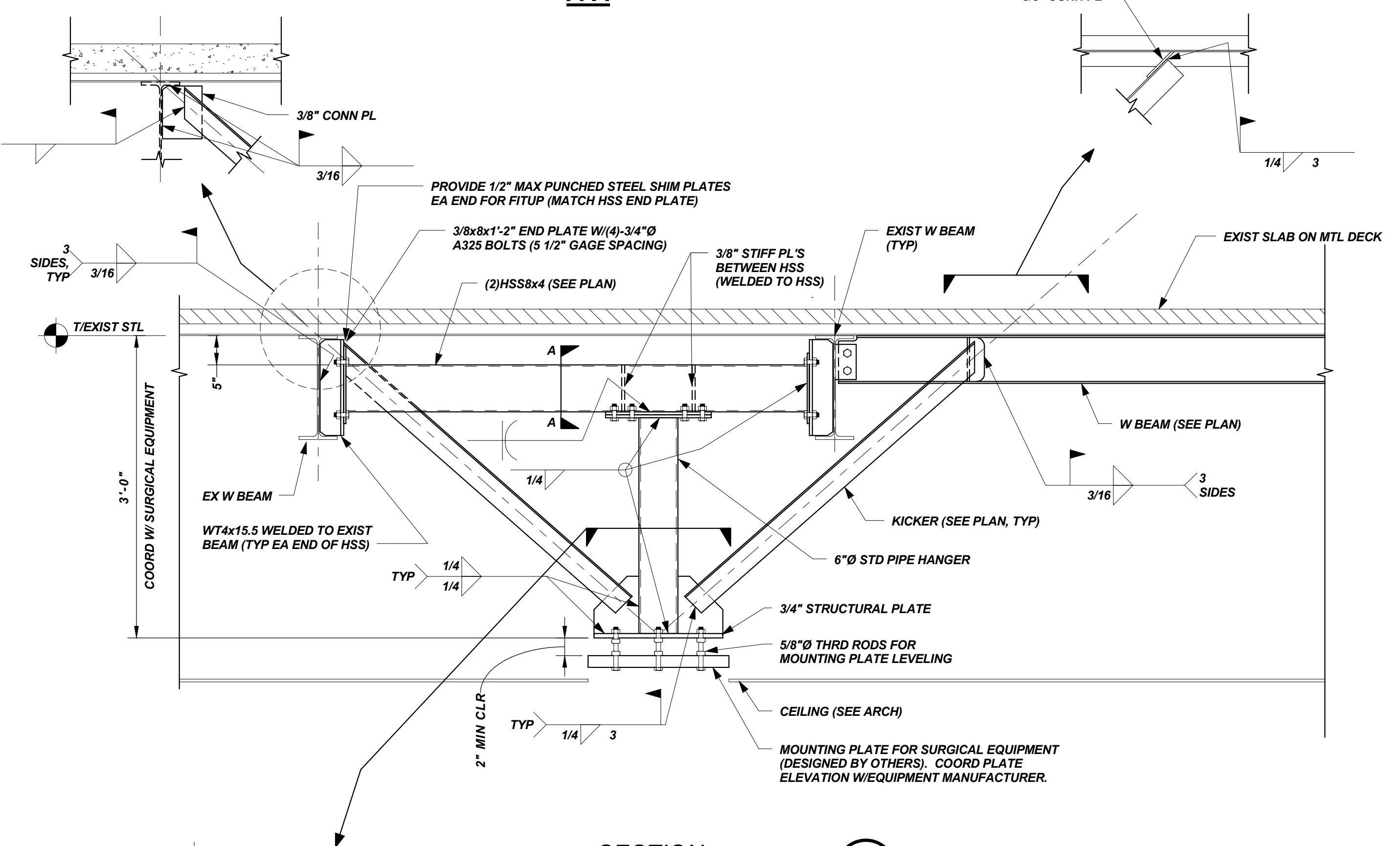
- NOTE:
- INDICATES SPAN DIRECTION OF 1.5818 METAL ROOF DECK.
 - VERIFY ALL DIMENSIONS W/EXIST CONDITIONS.
 - SEE ARCH FOR CANOPY DIMENSIONS.
 - LOCATIONS AND DIMENSIONS OF STRUCTURE SUPPORTING NEW CEILING MOUNTED SURGICAL EQUIPMENT SHALL BE VERIFIED BY THE G.C. AND EQUIPMENT MANUFACTURER PRIOR TO STEEL FABRICATION.



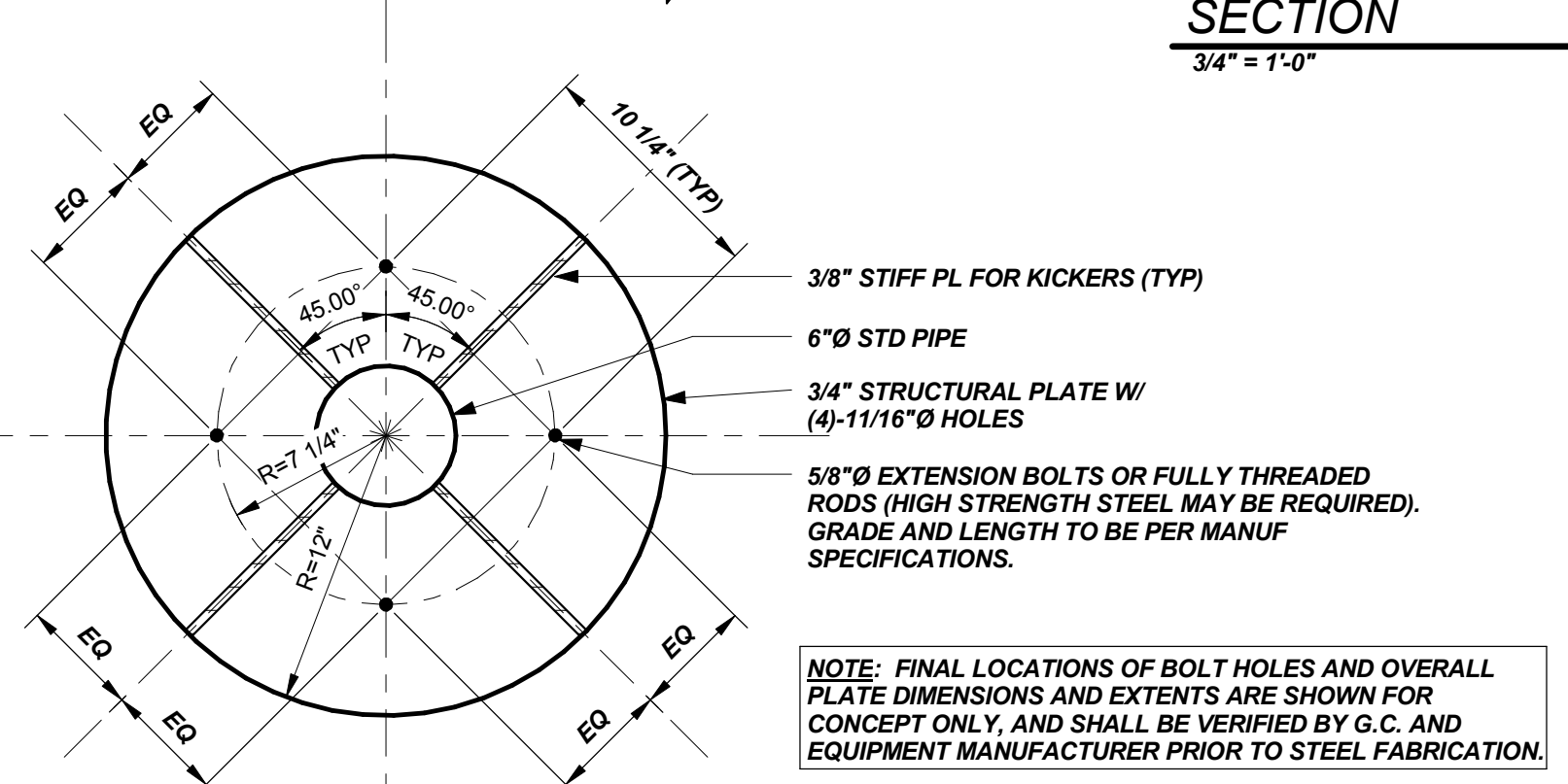
SECTION 3
 3/4" = 1'-0"



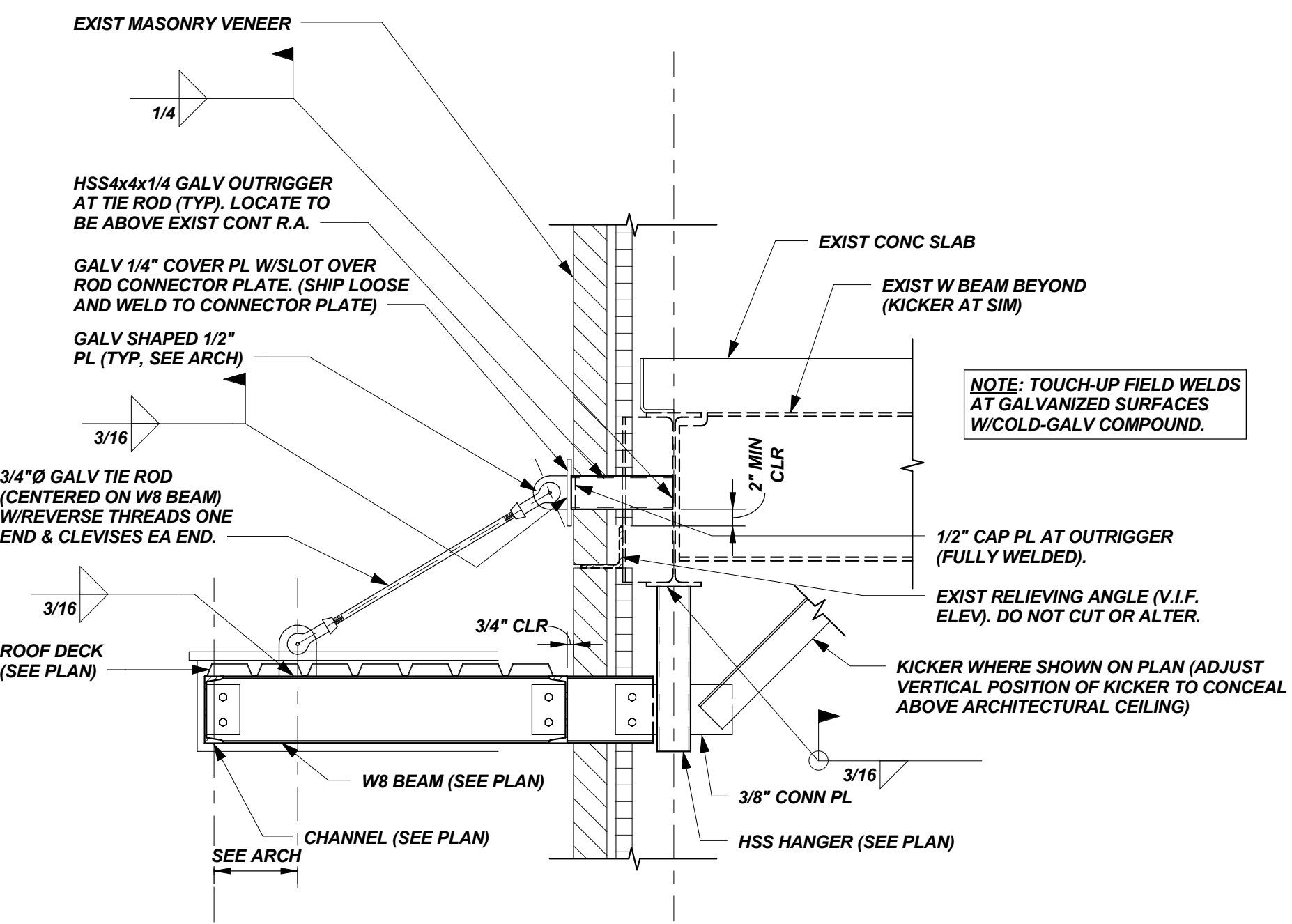
A-A



SECTION 2
 3/4" = 1'-0"



SECTION 1
 3/4" = 1'-0"



SECTION 1
 3/4" = 1'-0"