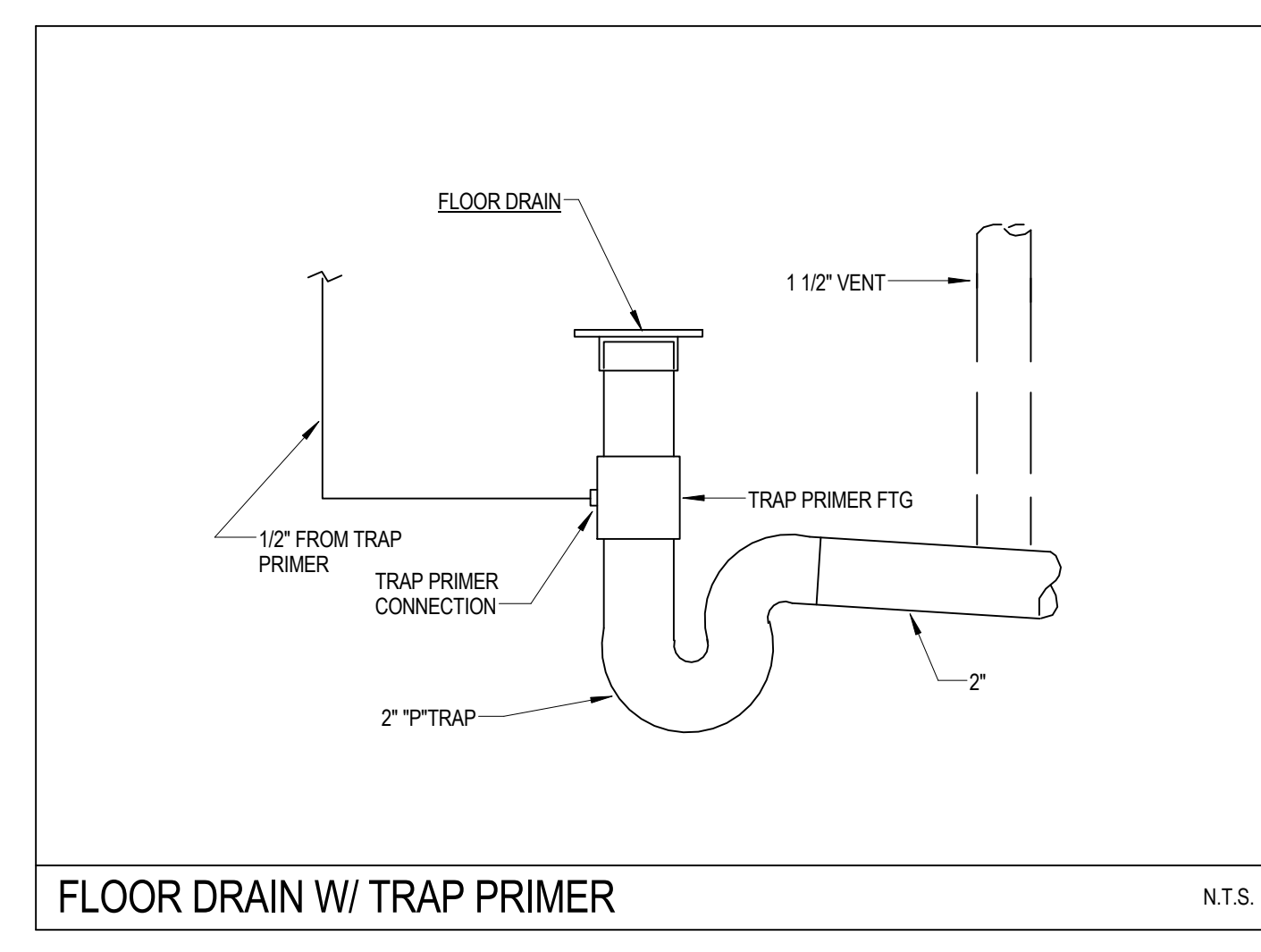
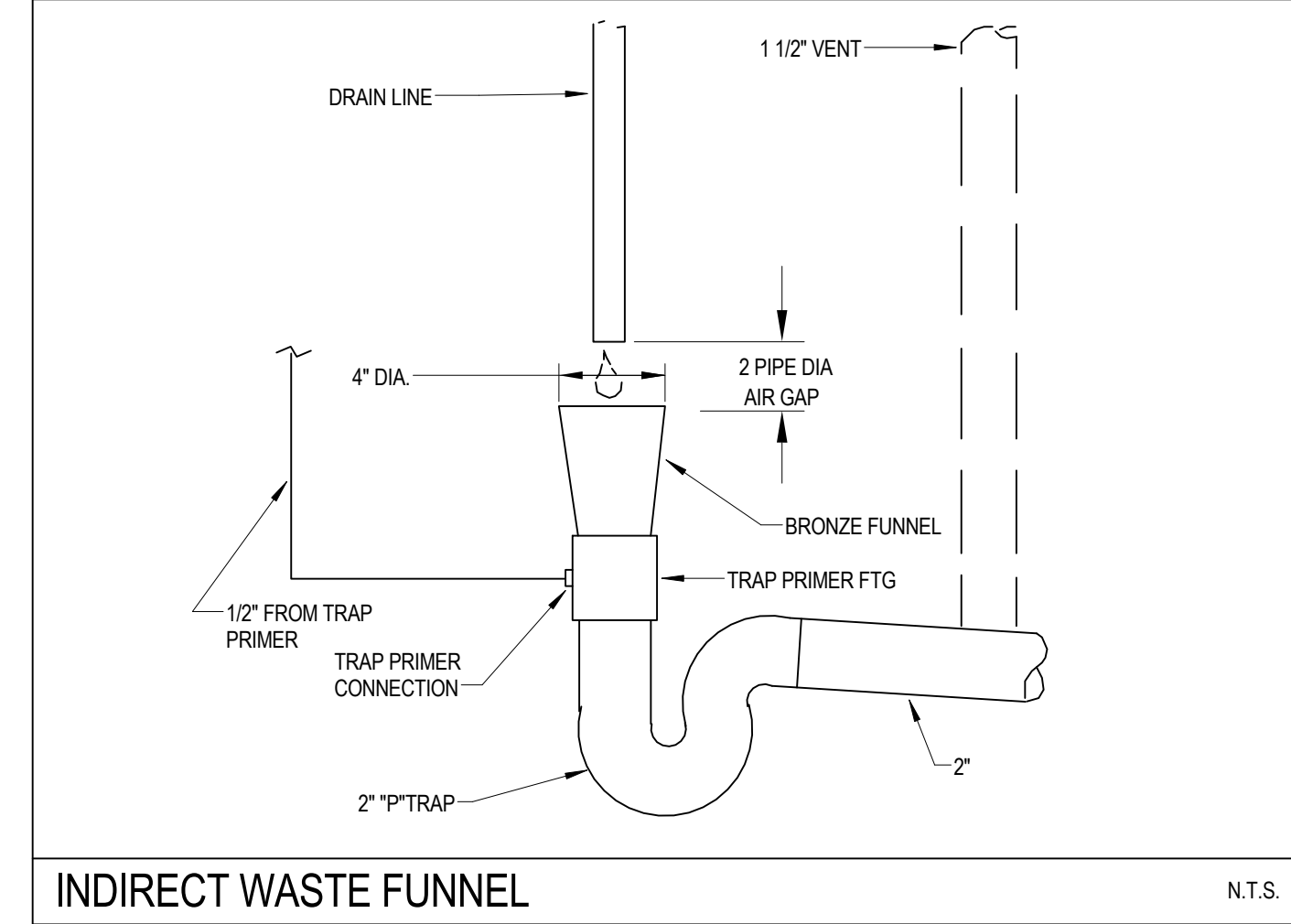
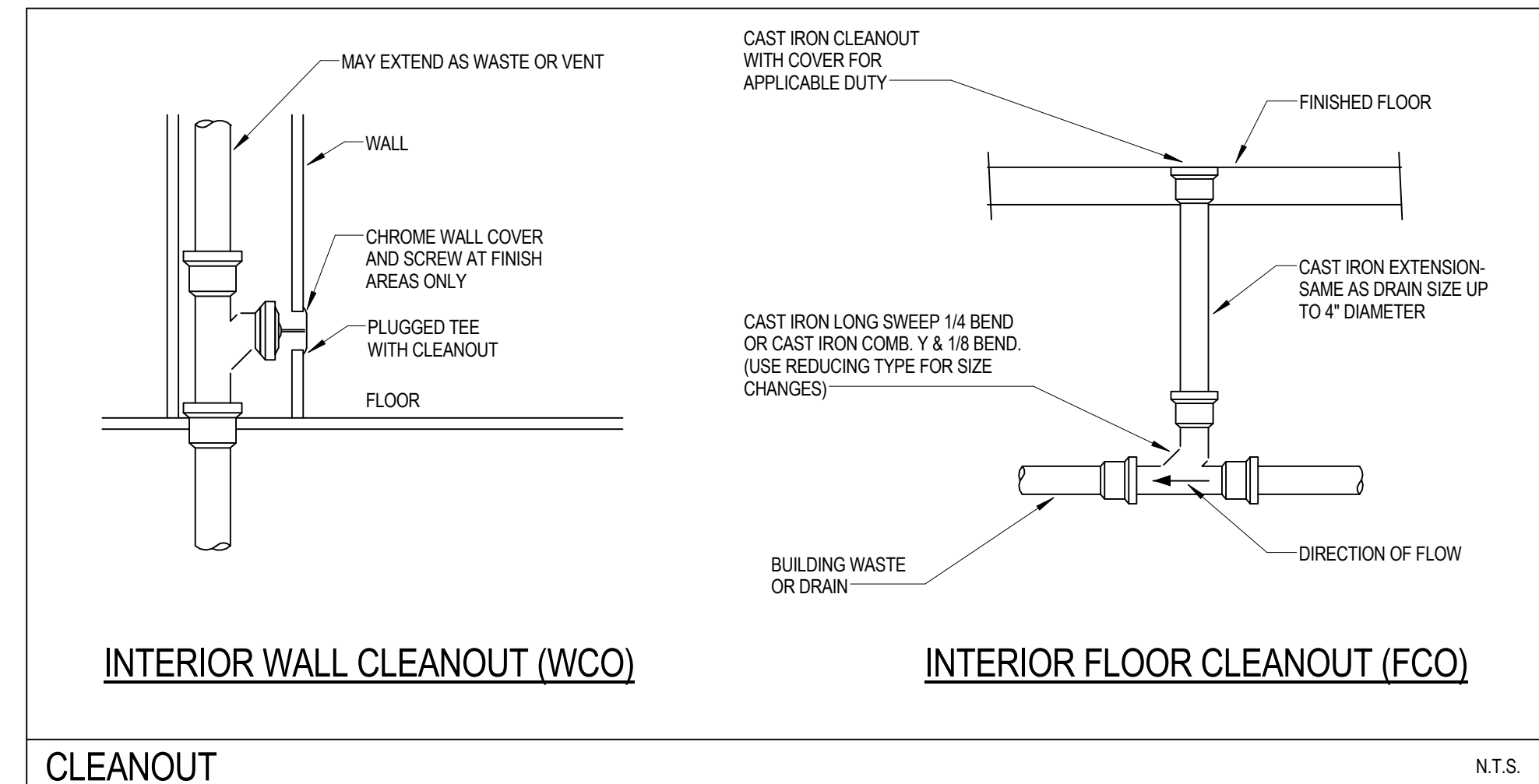
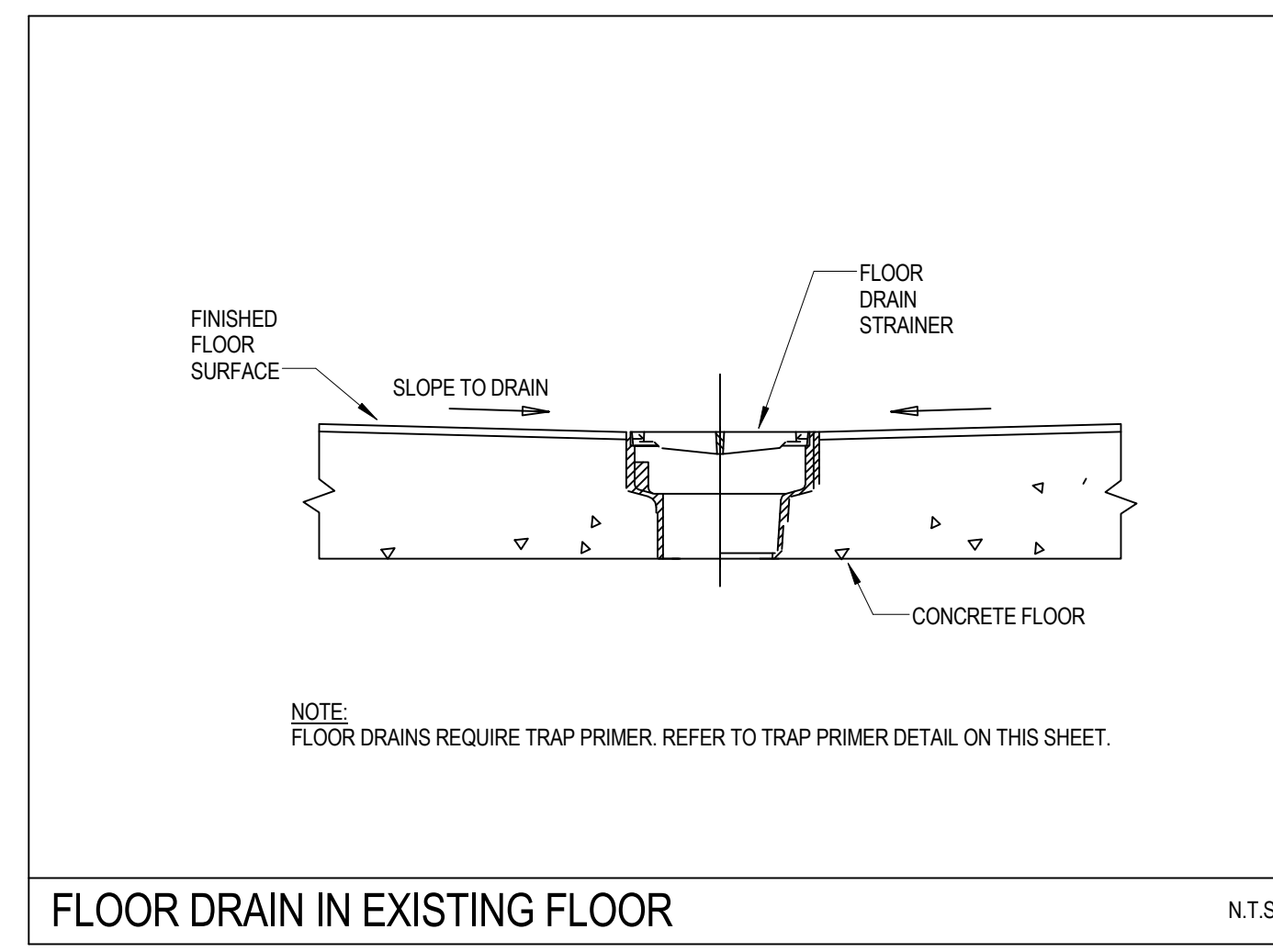
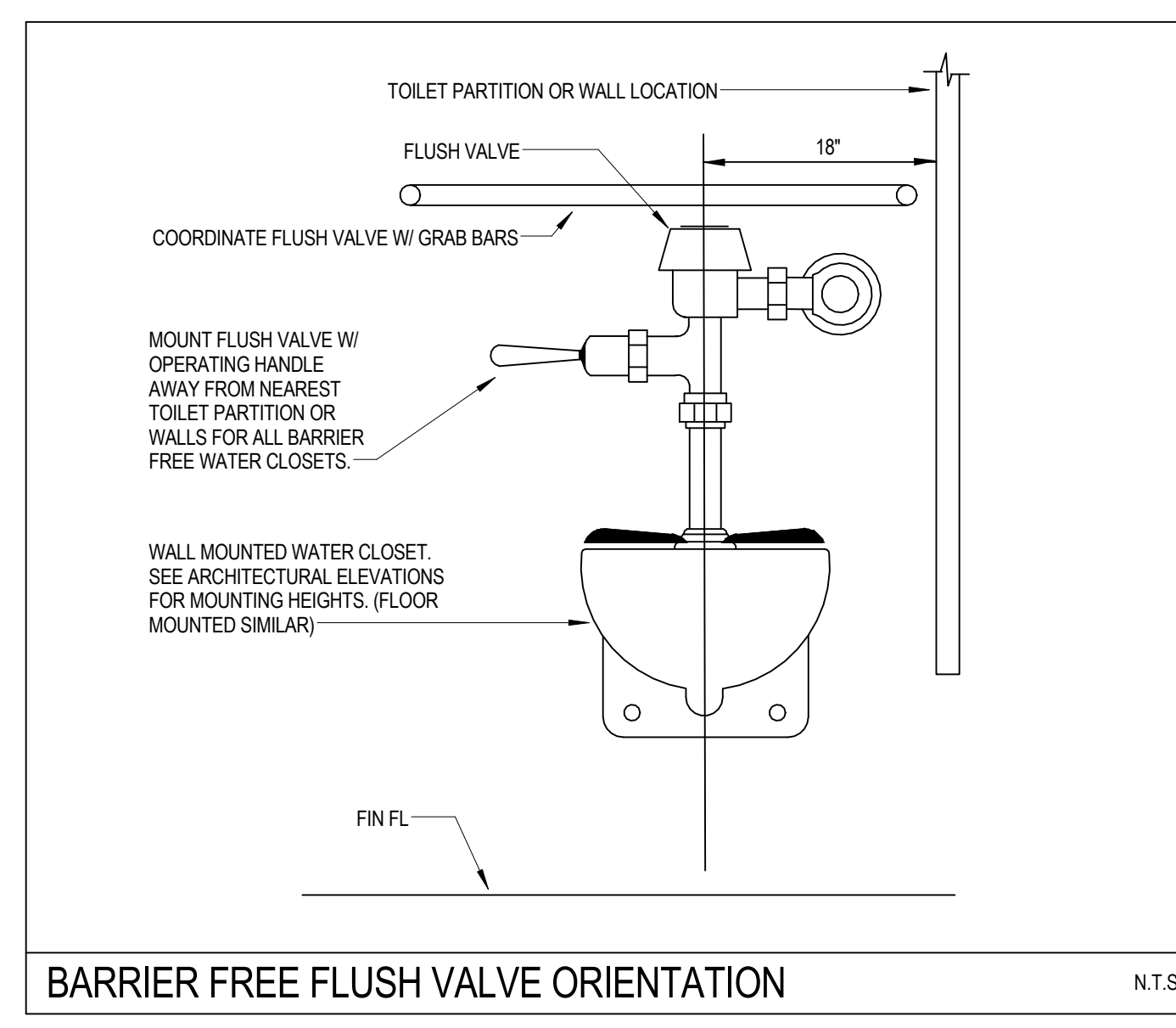
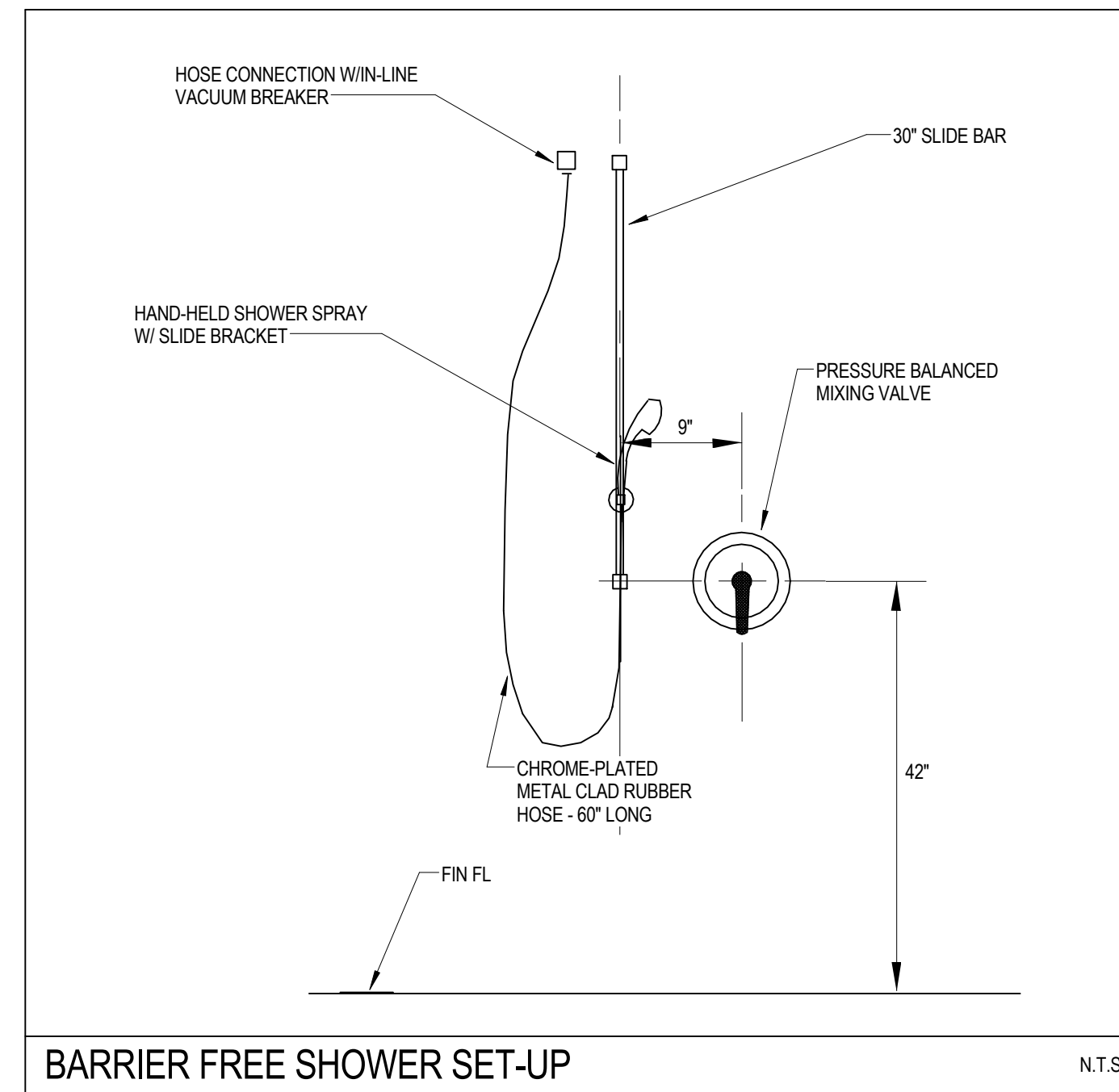


PLUMBING FIXTURE SCHEDULE

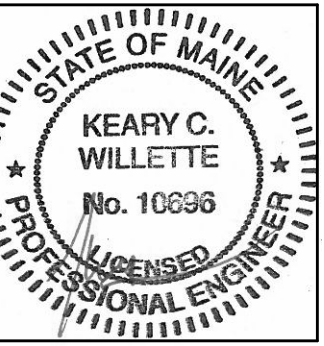
TAG	Description	CW CONNECTION SIZE	HW CONNECTION SIZE	WASTE CONNECTION SIZE	VENT CONNECTION SIZE	MANUFACTURER AND MODEL
FD 1	FLOOR DRAIN			4"	2"	WATTS FS-780, 12" SQUARE, 6" DEEP, DOME BOTTOM STRAINER, STAINLESS STEEL FLOOR SINK. PROVIDE APPROPRIATE GRATE.
P 1	*WATER CLOSET - WALL HUNG	1"		4"	2"	AMERICAN STANDARD MODEL 3351.101 WITH _____ PROVIDE WITH 500 POUND CARRIER.
P 2	*LAVATORY - WALL HUNG - STAFF	1/2"	1/2"	1 1/2"	1 1/2"	KOHLER MODEL K-2035-1 WITH CHICAGO FAUCETS MODEL 116.870.AB.1
P 3	*LAVATORY - WALL HUNG - PATIENT	1/2"	1/2"	1 1/2"	1 1/2"	KOHLER MODEL K-2035-1 WITH CHICAGO FAUCETS MODEL 116.870.AB.1
P 4	*SHOWER/TUB	1/2"	1/2"	2"	1 1/2"	SHOWER CONTROLS ONLY, ENCLOSURE BY OTHERS. MOEN T2191 VALVE TRIM KIT WITH MOEN MODEL S2236GBM25 HAND-HELD SHOWER SYSTEM
P 5	*SS SINK - COUNTER - EXAM ROOM	1/2"	1/2"	1 1/2"	1 1/2"	ELKAY MODEL LRAD151765 WITH _____
P 6	*SS SINK - COUNTER - STAFF LOUNGE/KITCHEN	1/2"	1/2"	1 1/2"	1 1/2"	ELKAY MODEL LRAD21965 WITH ELKAY MODEL LKH42031
P 7	*SS SINK - COUNTER - NURSE	1/2"	1/2"	1 1/2"	1 1/2"	ELKAY MODEL LRAD21965 WITH _____
P 8	*SS SINK - COUNTER - PRE-OP	1/2"	1/2"	1 1/2"	1 1/2"	ELKAY MODEL LRAD151765 WITH _____
P 9	*SS SINK - COUNTER - PHOTO	1/2"	1/2"	1 1/2"	1 1/2"	ELKAY MODEL LRAD151765 WITH _____
P 10	NOT USED	0"	0"	0"	0"	NOT USED
P 11	*SS SINK - COUNTER - PROCESSING	1/2"	1/2"	1 1/2"	1 1/2"	ELKAY MODEL LRAD151765 WITH _____
P 12	*SS SINK - COUNTER - INSTR. PROCESS	1/2"	1/2"	1 1/2"	1 1/2"	ELKAY MODEL LRAD151765 WITH _____
P 13	*SS SINK - UNDERMOUNT COUNTER - SOILED UTIL. SINK	1/2"	1/2"	1 1/2"	1 1/2"	AMERICAN STANDARD MODEL 9604.999.020 WITH THREE RIM GUARDS WITH SLOAN MODEL ROYAL 117 FLUSH VALVE.
P 14	*SS SINK - UNDERMOUNT COUNTER - SOILED UTIL. U.G. WITH EYEWASH	1/2"	1/2"	1 1/2"	1 1/2"	ELKAY MODEL LRAD312265 WITH _____ AND GUARDIAN G1895-1M.V. COORDINATE MOUNTING SIDE WITH ARCHITECTURAL DRAWINGS.
P 15	*SINK - WALL HUNG - LASIK	1/2"	1/2"	1 1/2"	1 1/2"	
P 16	*W/P SINK - CORNER	1/2"	1/2"	3"	3"	FIAT MODEL TSBC1610 WITH CHICAGO FAUCETS MODEL 540-LD897/SWFKXCP. PROVIDE WITH HOSE & HOSE BRACKET, STAINLESS STEEL WALL GUARDS
P 17	*WATER FOUNTAIN	1/2"		1 1/2"	1 1/2"	
P 18	*SCRUB SINK	3/4"	3/4"	1 1/2"	1 1/2"	STERIS AMSCO FLEXMATIC ONE STATION KNEE ACTIVATED SCRUB SINK. PROVIDE WITH CHAIR CARRIER, LAMINAR FLOW FAUCET AND INFRARED SENSOR. COORDINATE FEATURES WITH OWNER.
P 19	*FLUSHING RIM SINK					AMERICAN STANDARD MODEL 9604.999.020 WITH THREE RIM GUARDS WITH SLOAN MODEL ROYAL 117 FLUSH VALVE.
TP 1	TRAP PRIMER	1/2"				PRECISION PLUMBING PRODUCTS PTS-6. PLUG ANY UNUSED PORTS.



COPYRIGHT
PDT Architects
Reuse or reproduction of the contents of this document is not permitted without written permission of PDT Architects.

MAINE EYE - RETINA & SURGERY CENTER
161 Marginal Way - Portland, Maine 04101

No.	Date	Description
		Revision Schedule



JOB NO. 195210863

DRWN: CHK: ERD KCW

SCALE:

ISSUE: PERMIT SET - 95% CONSTRUCTION DOCUMENTS
04.12.16

TITLE: PLUMBING DETAILS AND SCHEDULES

SHEET **P501**



Stantec Consulting Services Inc.
482 Payne Road Scarborough Court
Scarborough, ME 04074-8929
Tel: (207) 883-3355 / Fax: (207) 883-3376
www.stantec.com